



**Logic**

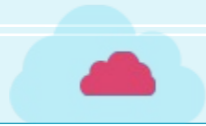
**Space**



**Coding**



**Focus**



# Classroom Discipline

**01**

Please sit down and keep quiet in class.

**02**

Please raise your hand if you have any questions

**03**

Please observe carefully when the pictures are played.



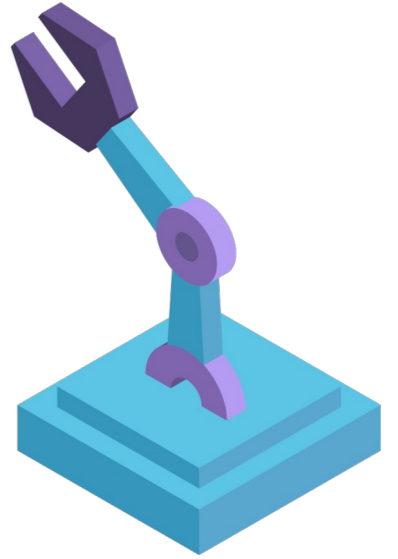


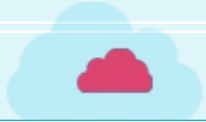
# The Inertial Car





**Think**



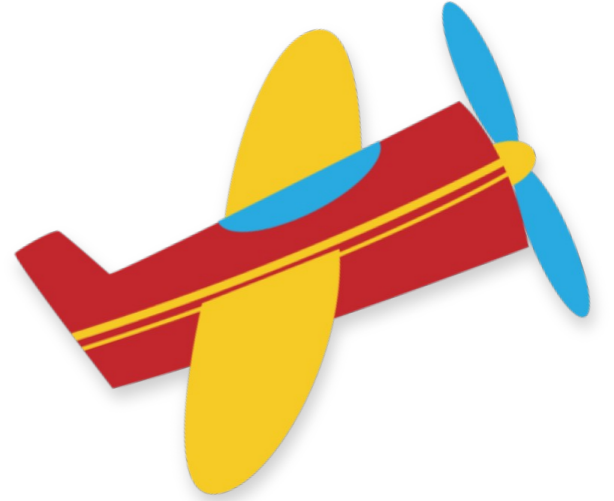


1. What means of transportation do you usually use when traveling?
2. What happens when a subway or car brakes?





**Explore**

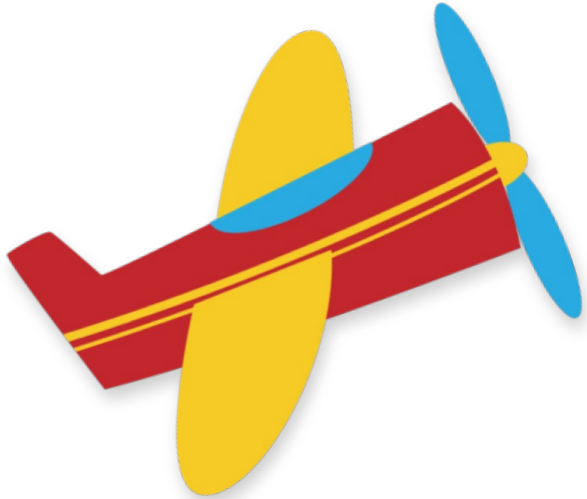


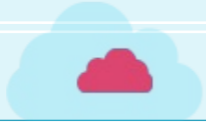
1. What is inertia?

2. When does inertia exist?



The state of an object remaining stationary or in uniform linear motion is called inertia. Inertia is an inherent property of an object, which is manifested as a degree of resistance to changes in its own state of motion. **The greater the mass, the greater the inertia.**

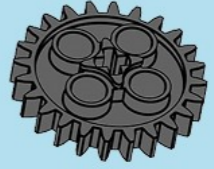




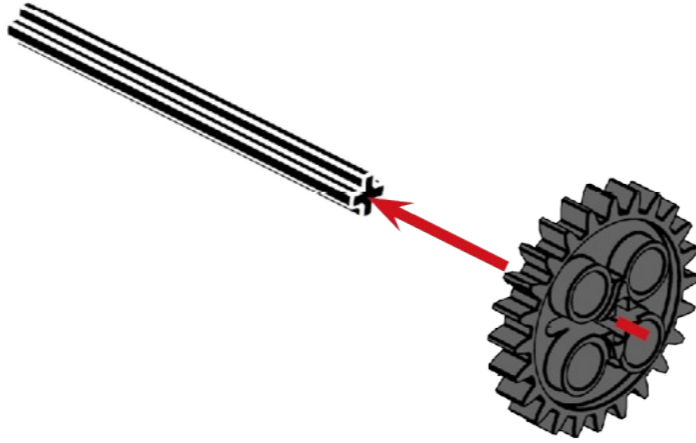
6

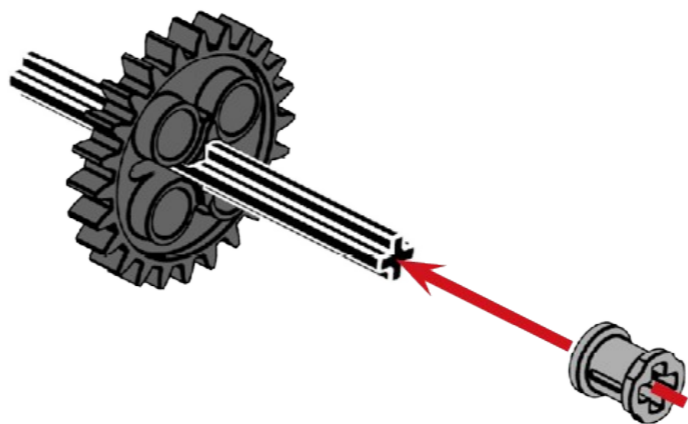
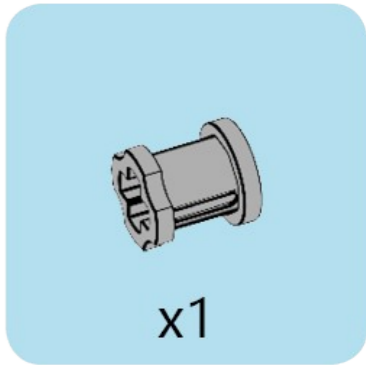


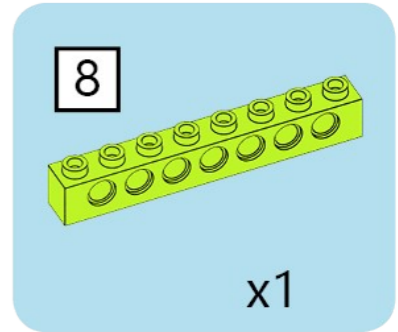
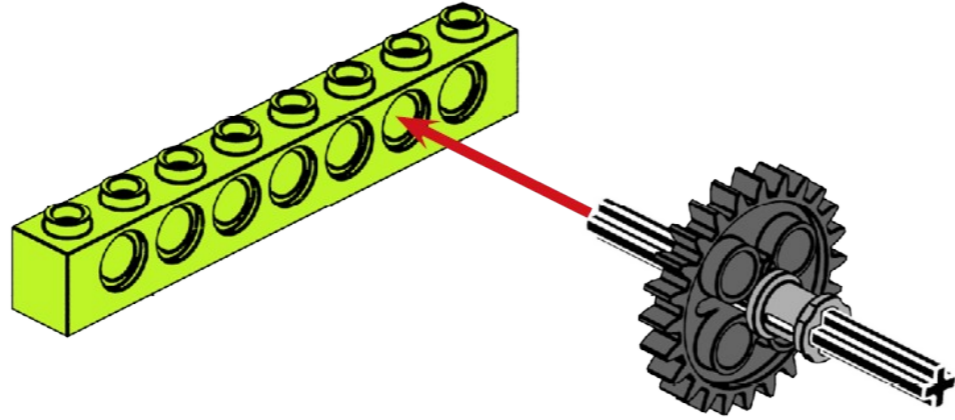
x1



x1









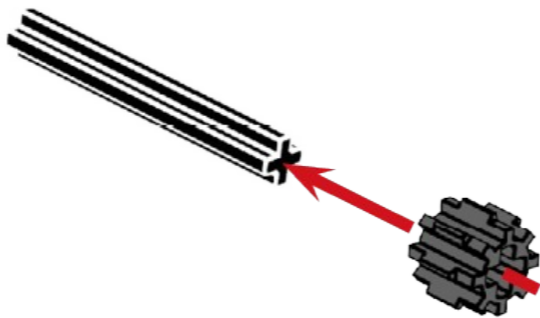
4

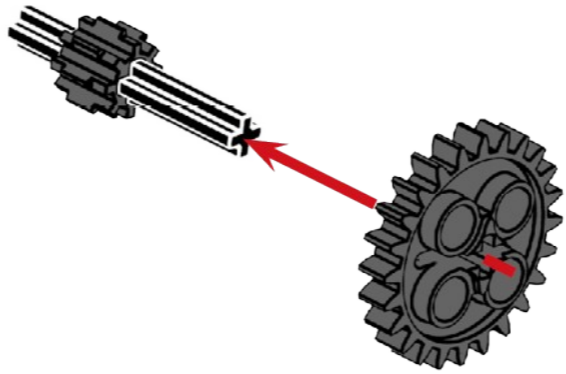
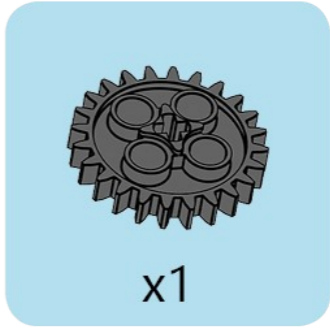


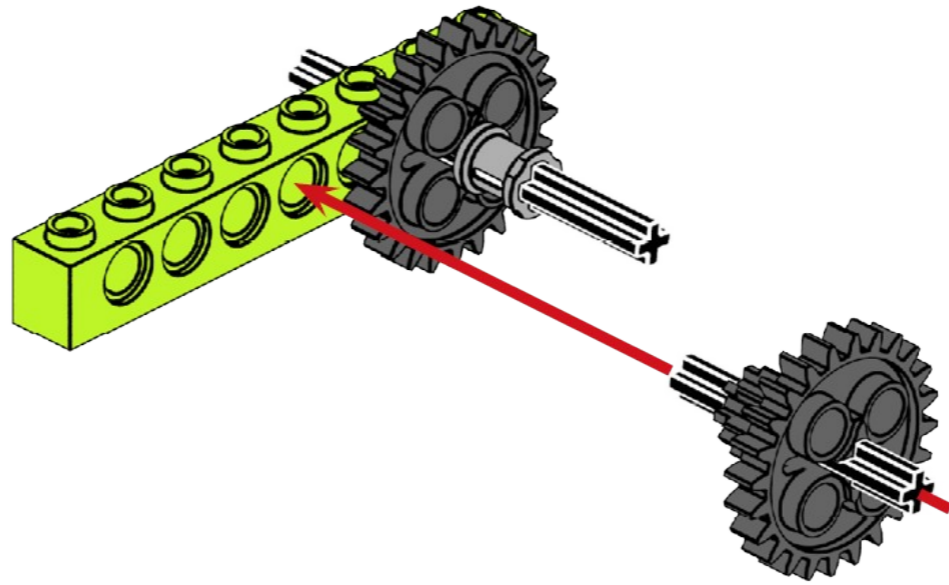
x1

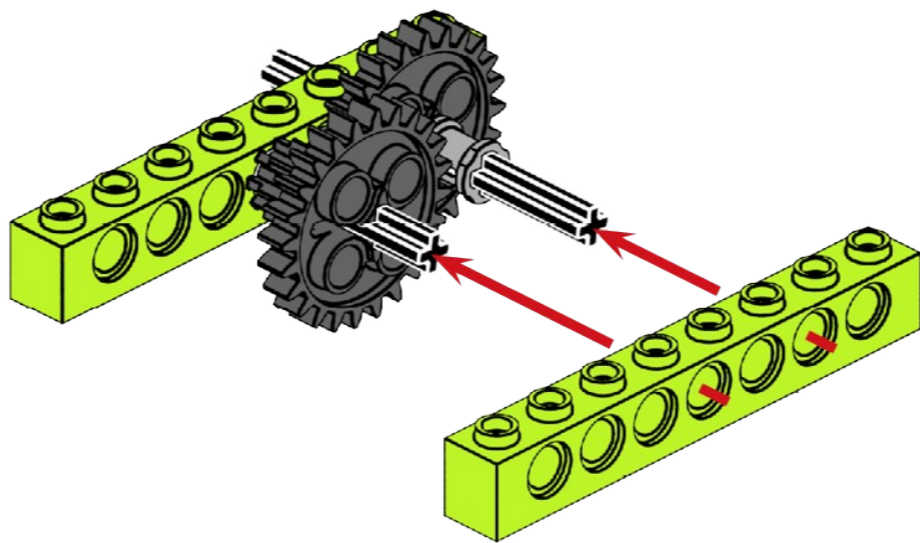
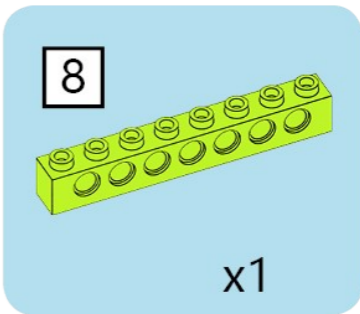


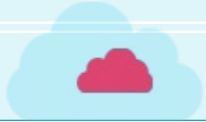
x1



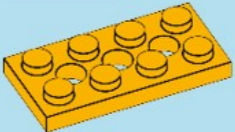




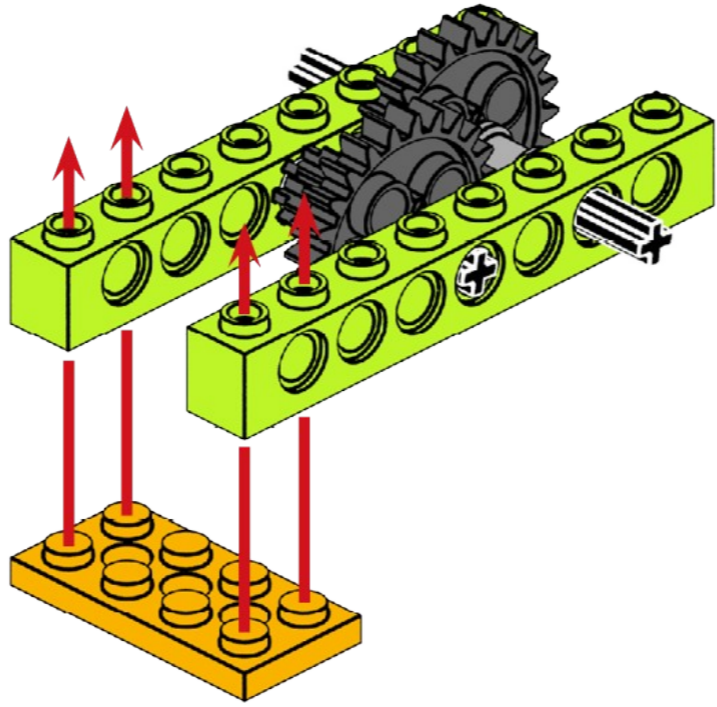


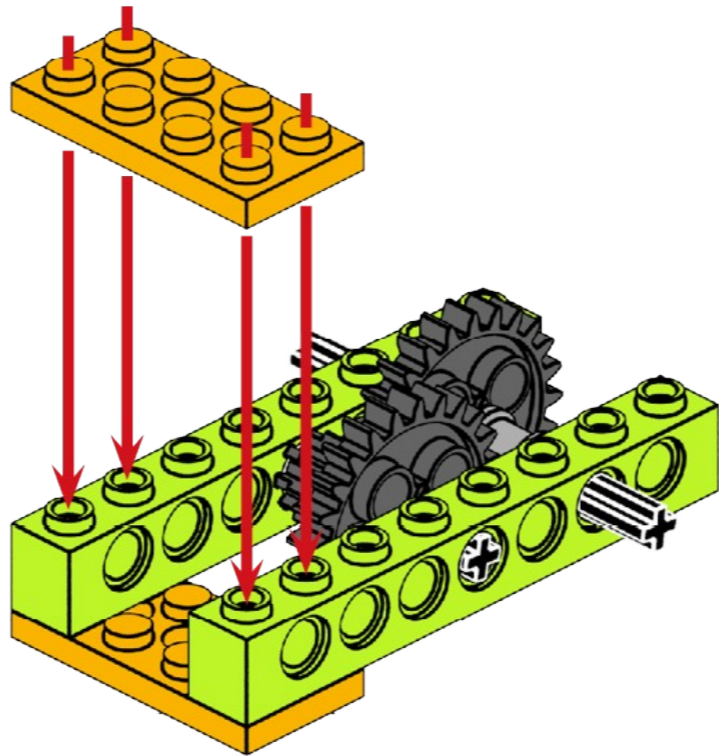
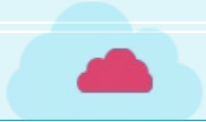


2x4

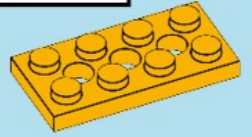


x1

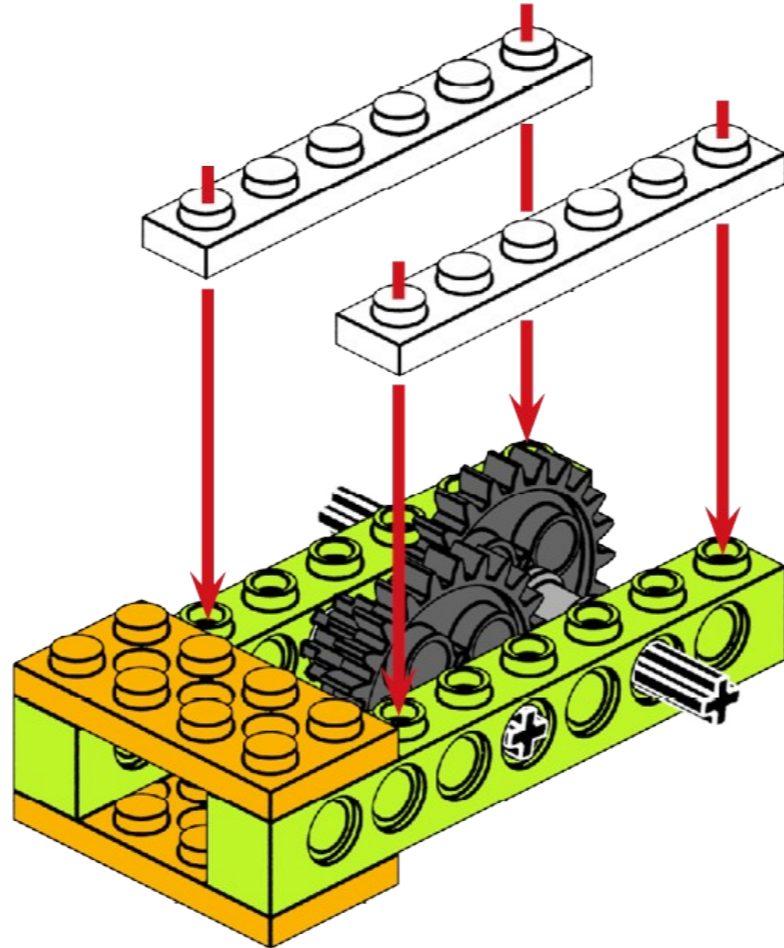
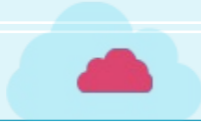




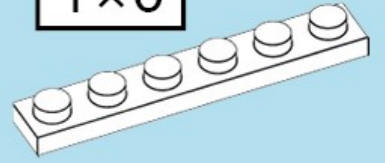
2x4



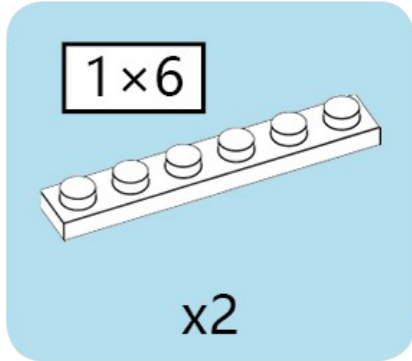
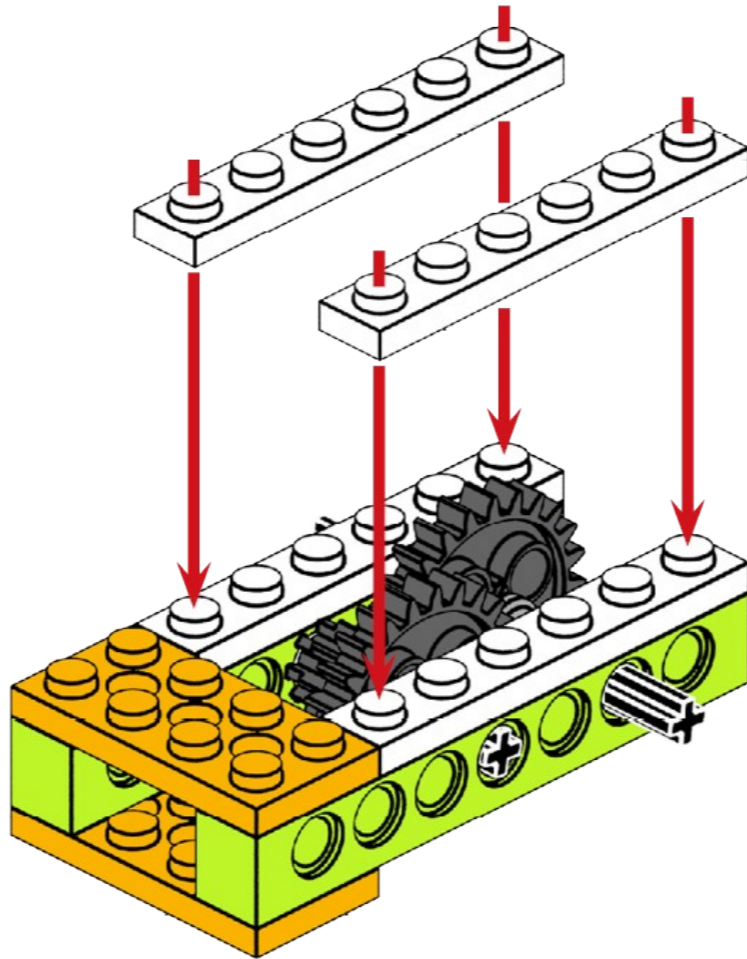
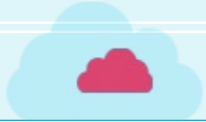
x1

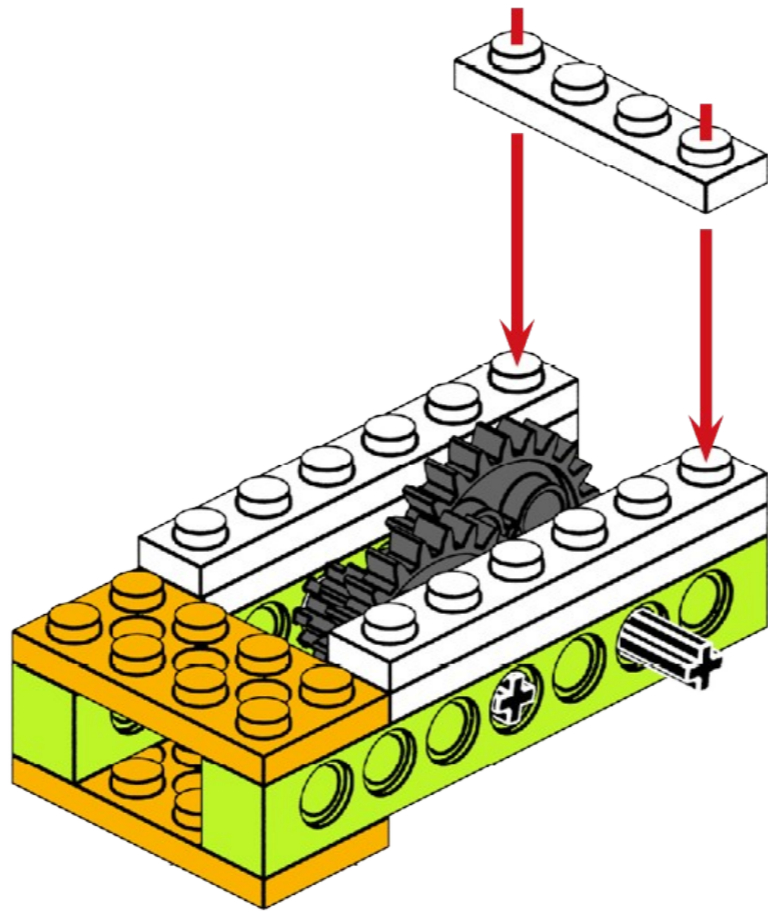


1x6

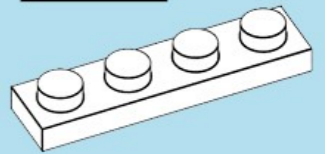


x2





1x4



x1

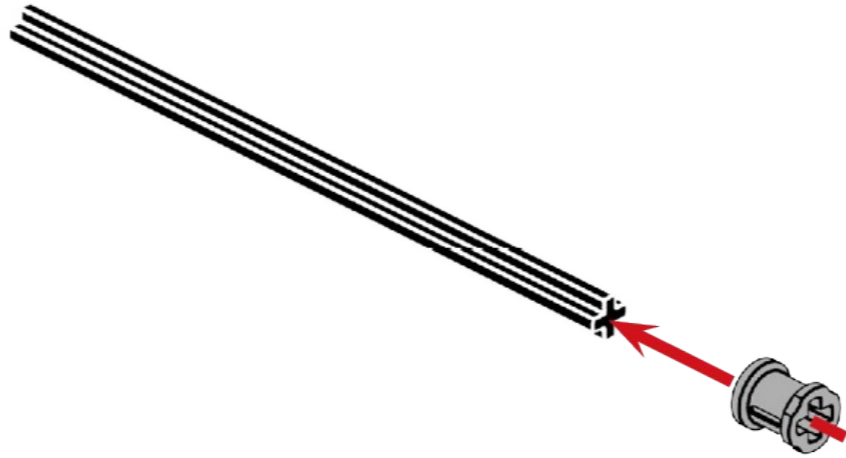


10



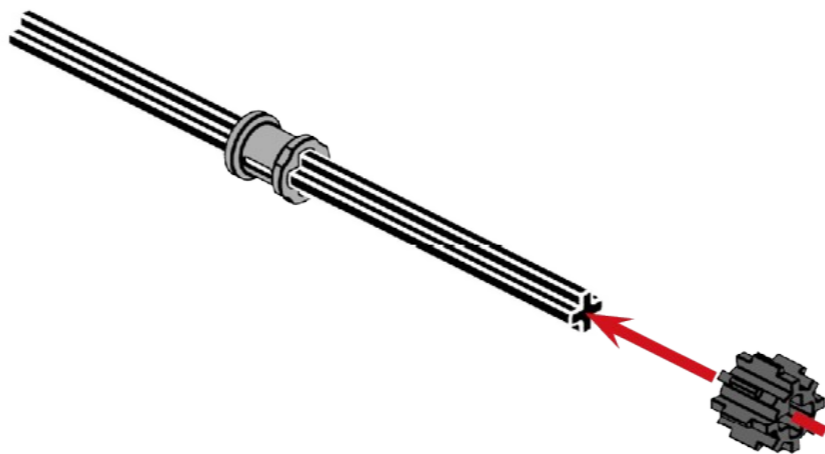
x1

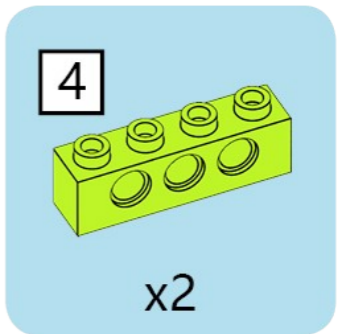
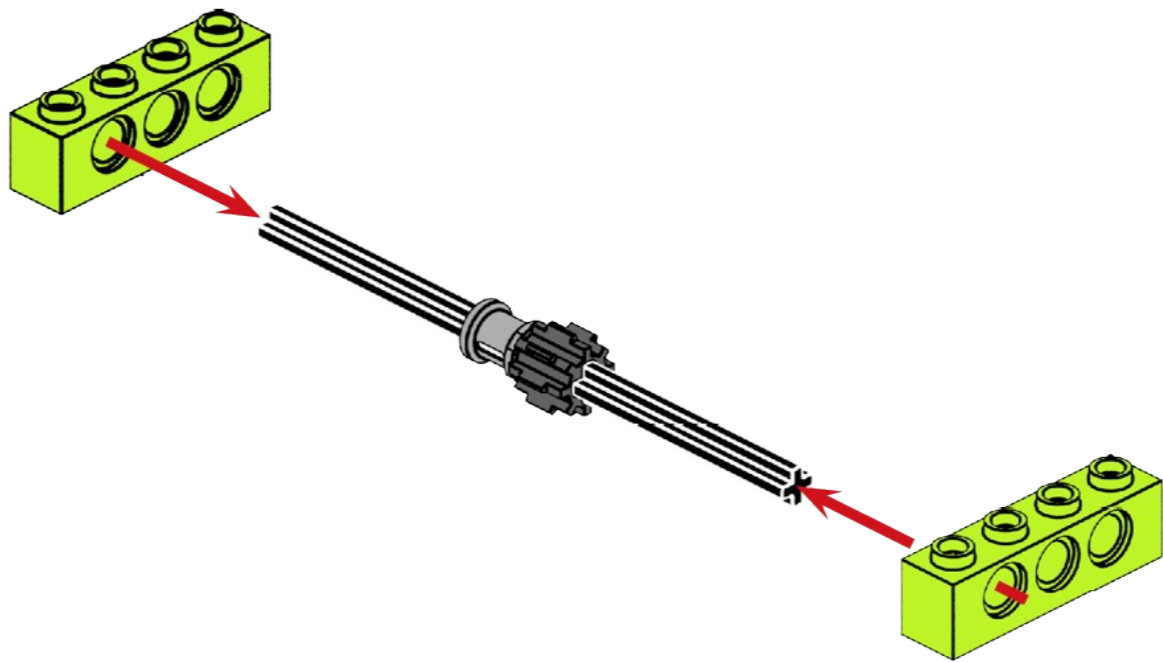
x1

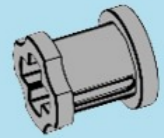
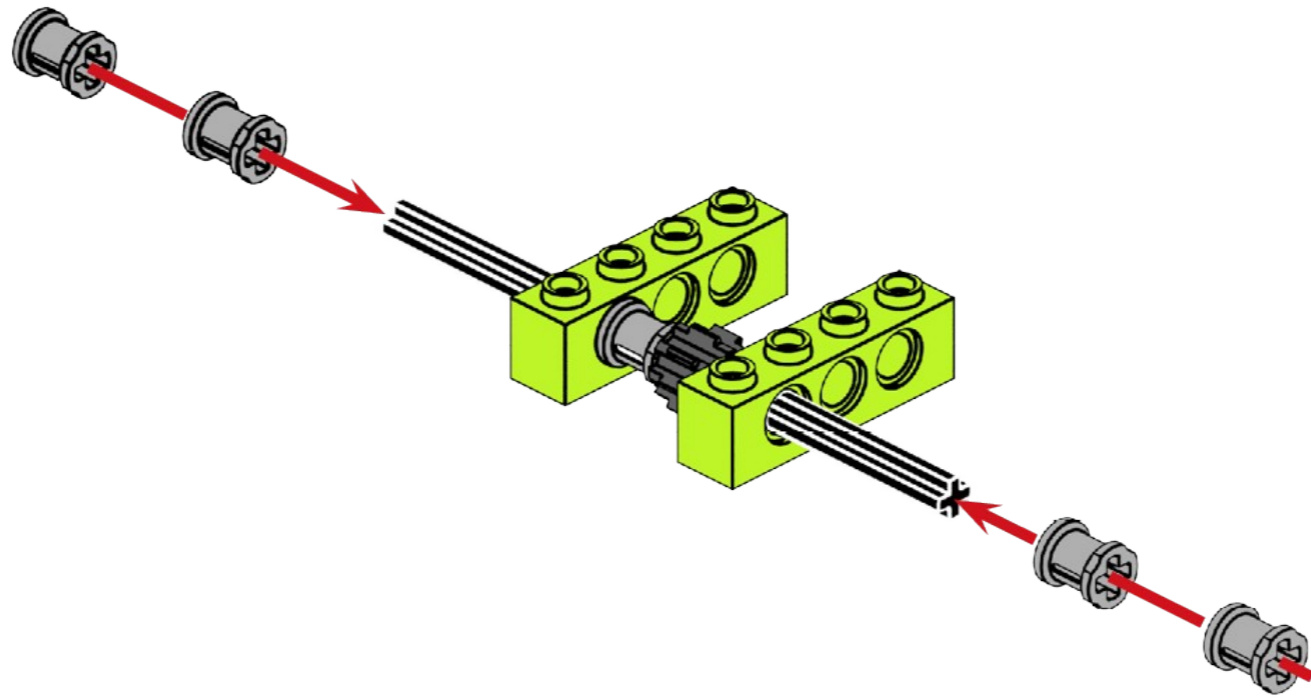




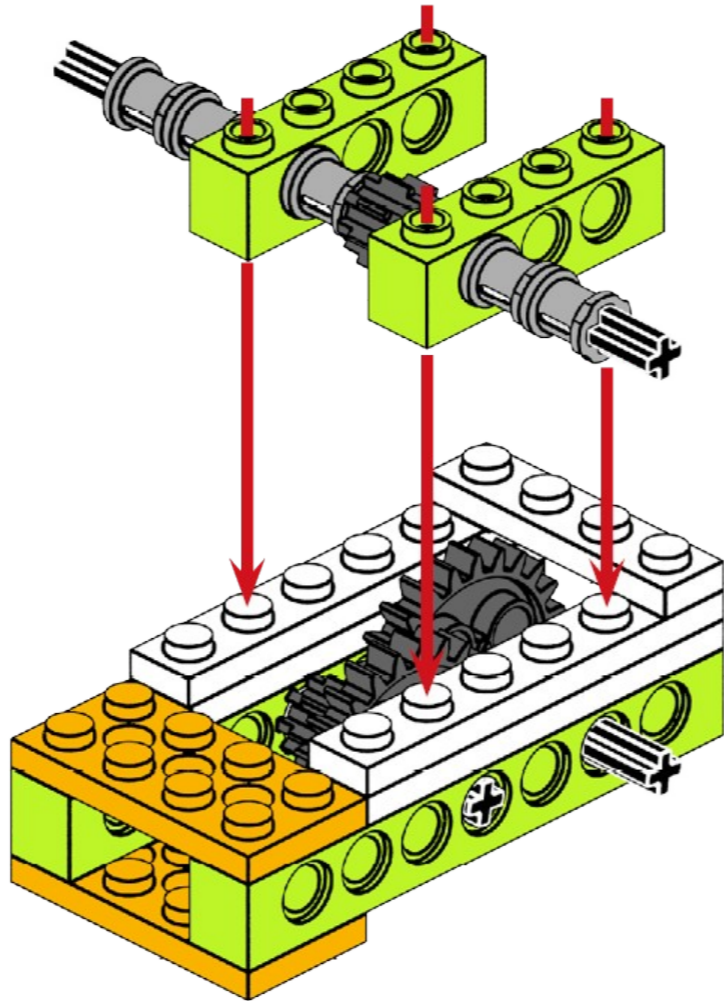
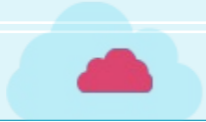
x1

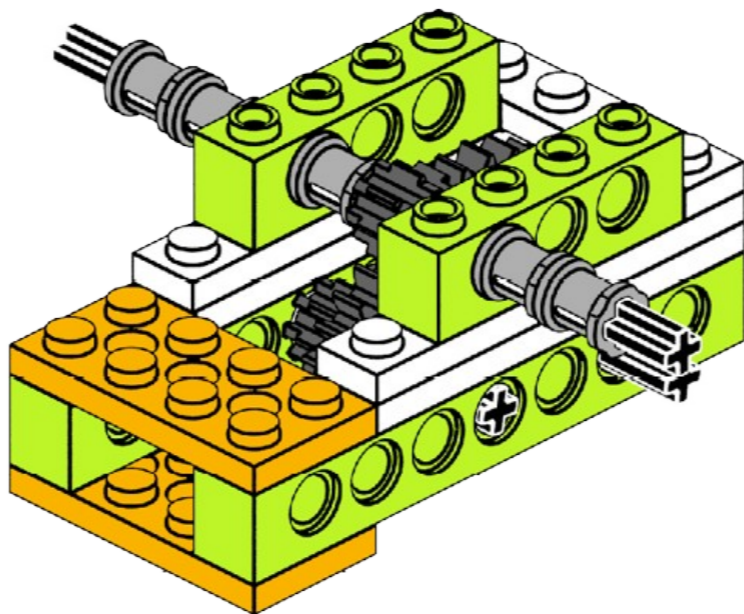


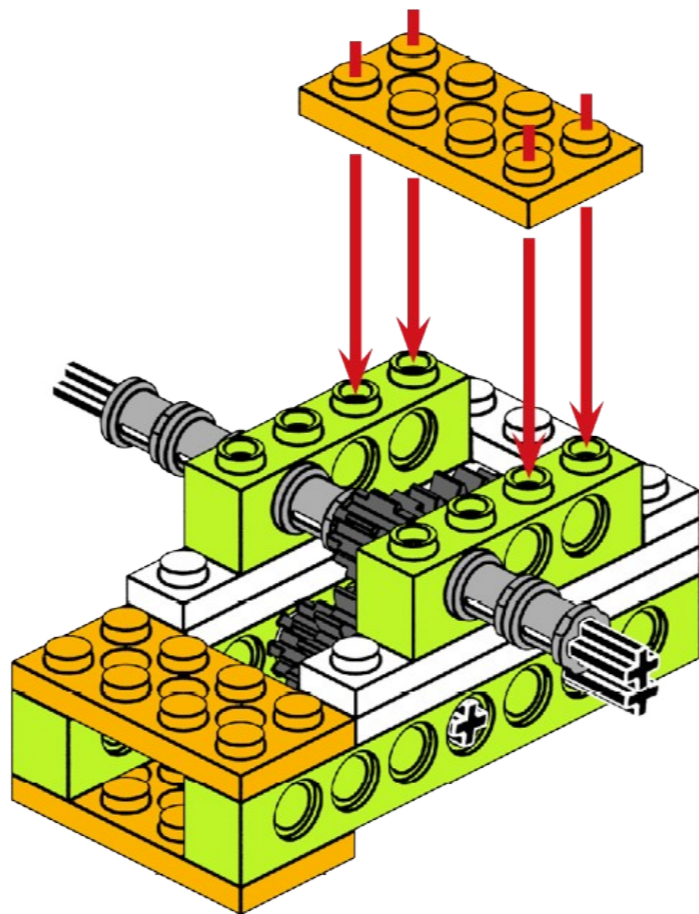




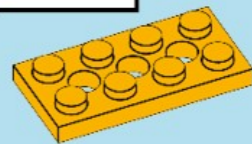
x4



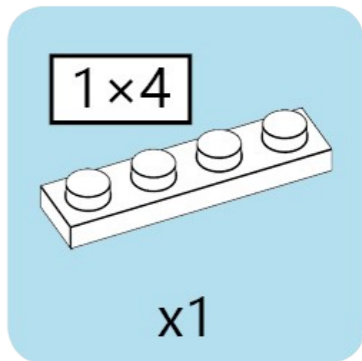
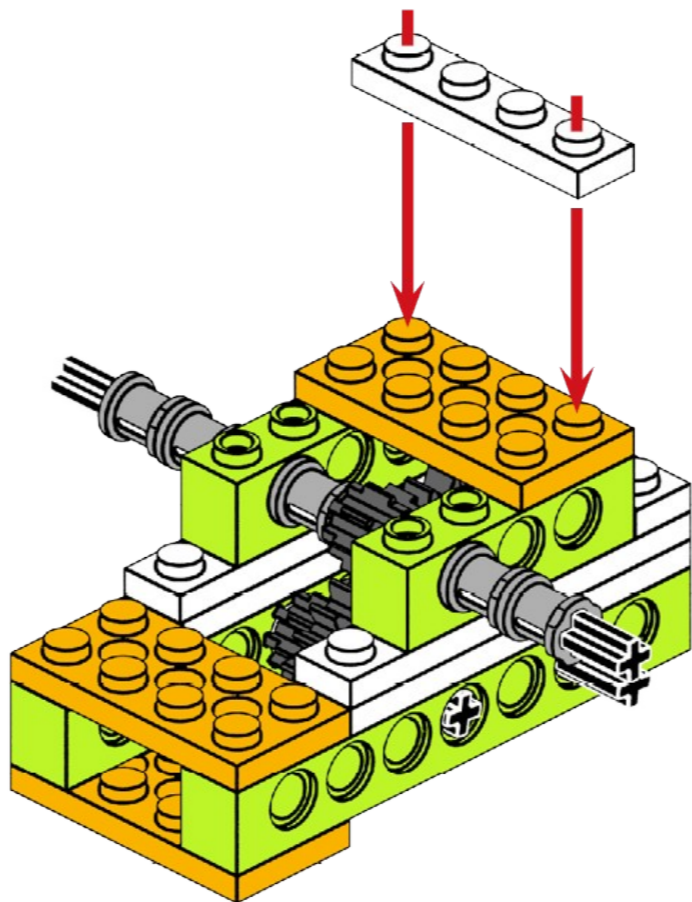


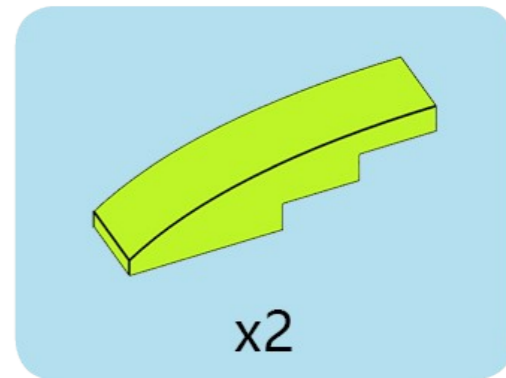
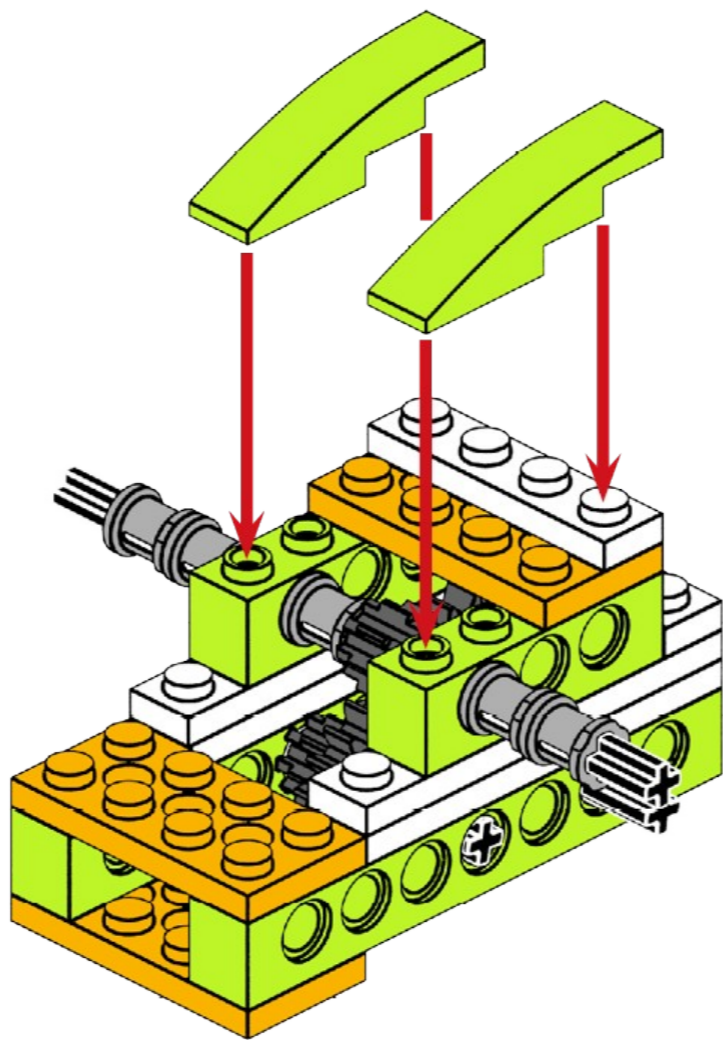


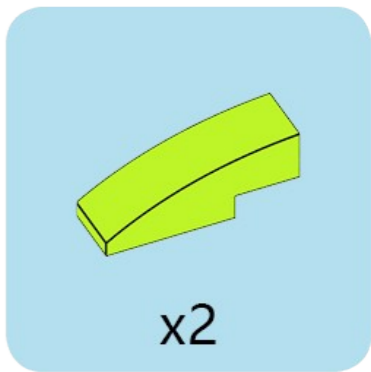
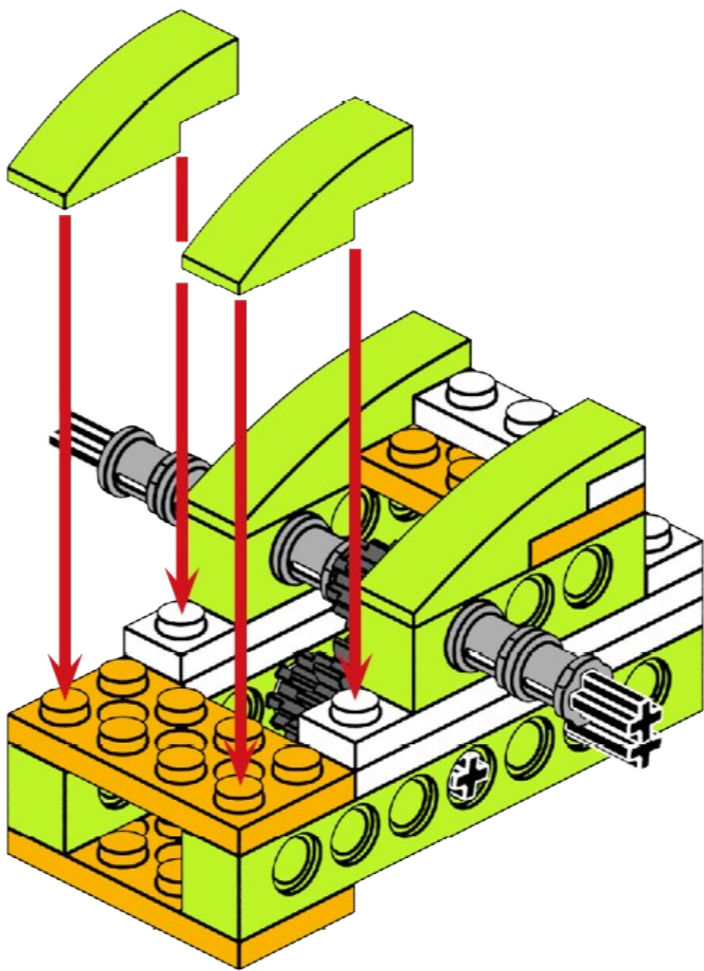
2x4

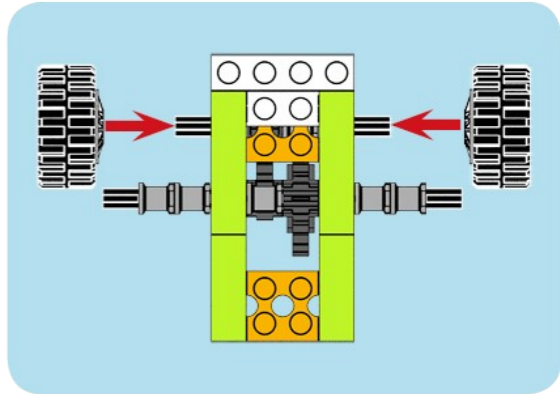
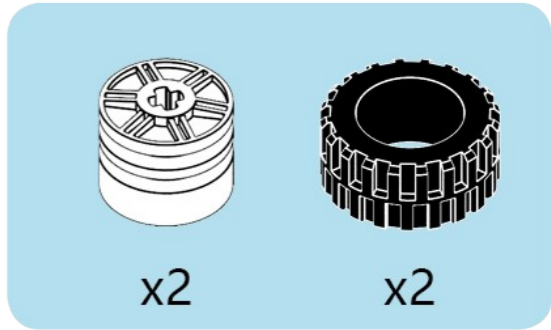
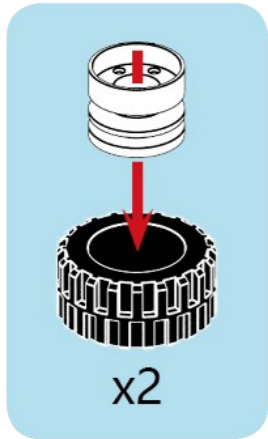
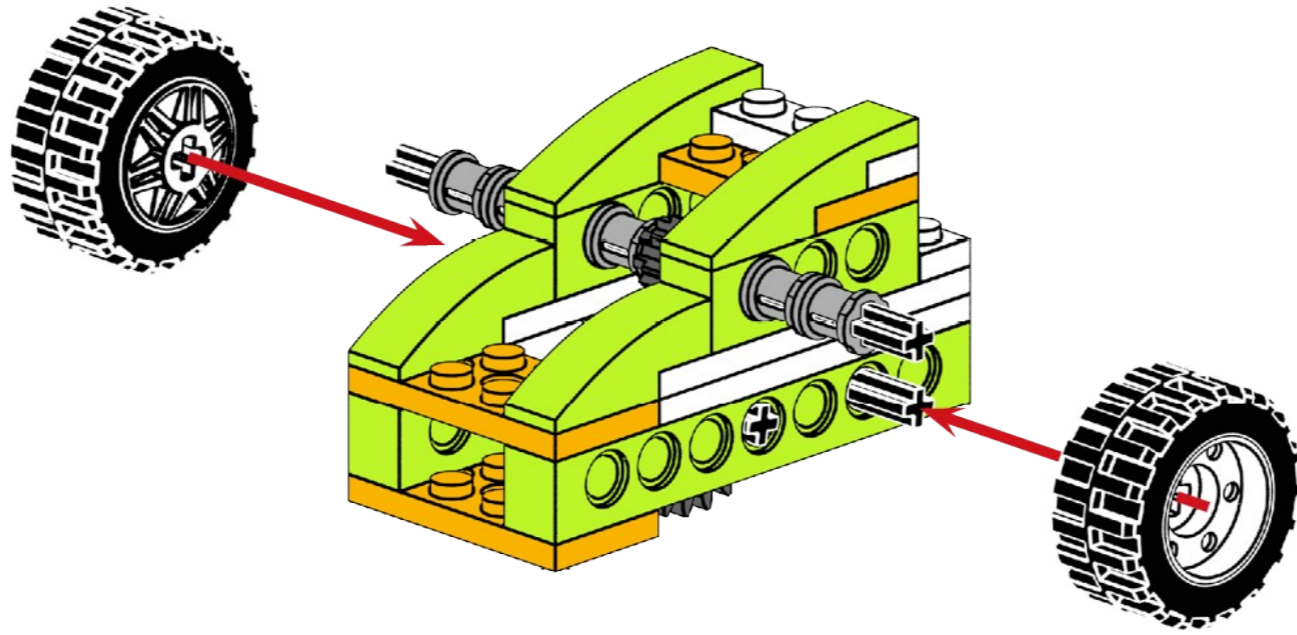


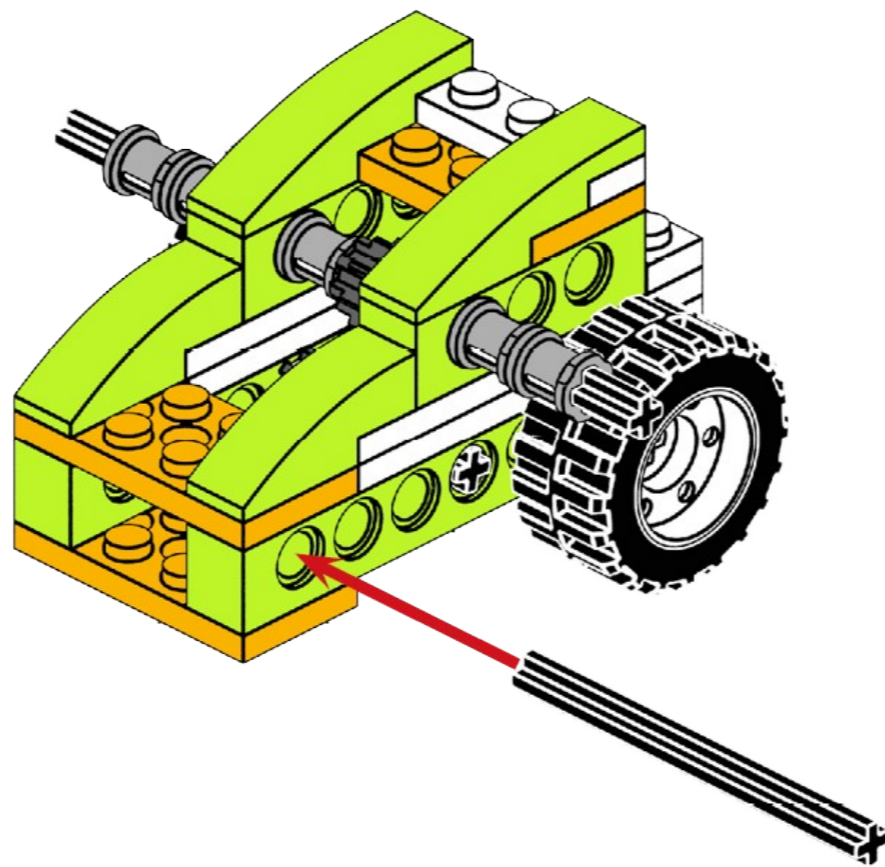
x1







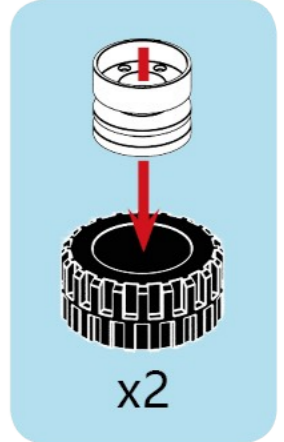
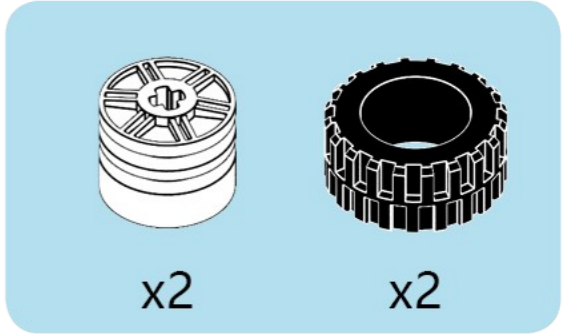
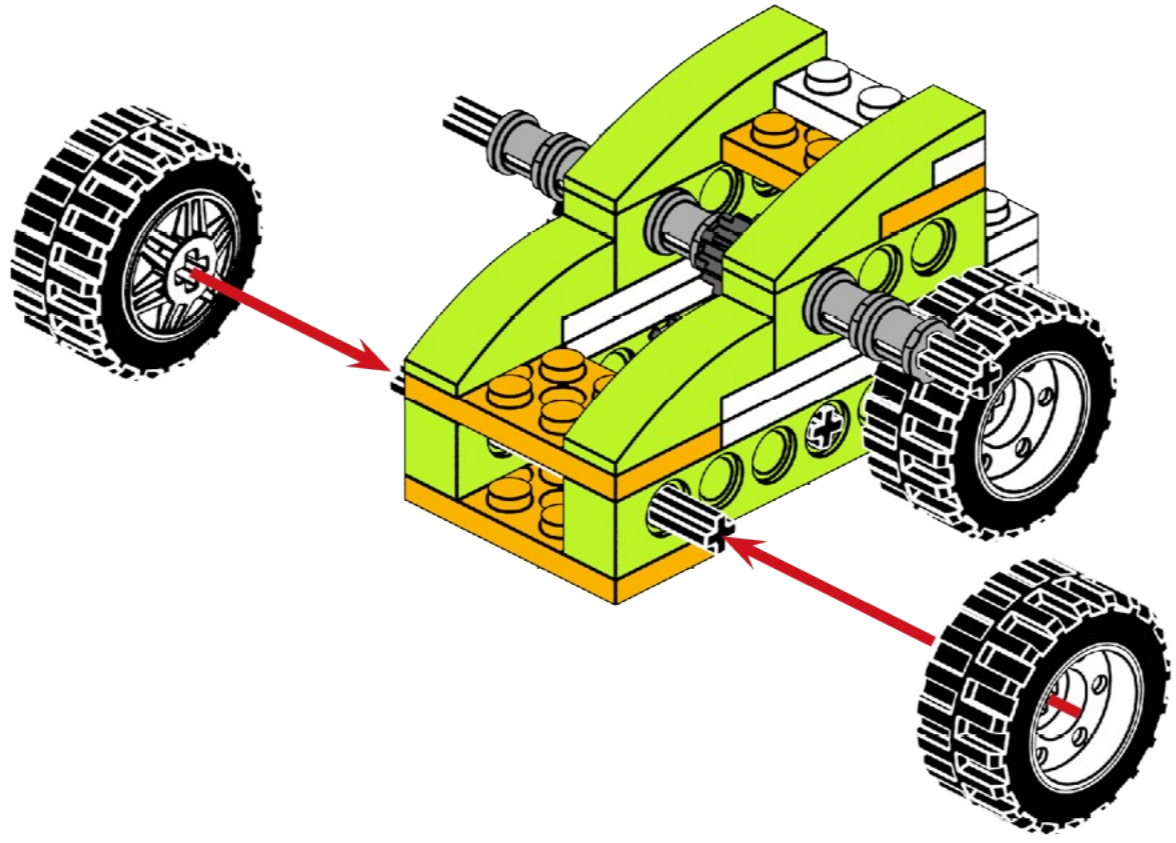
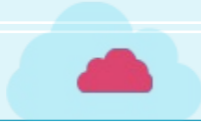


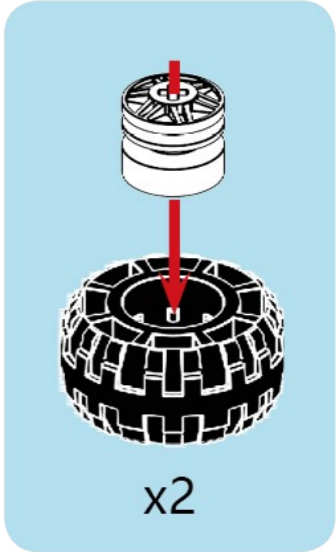
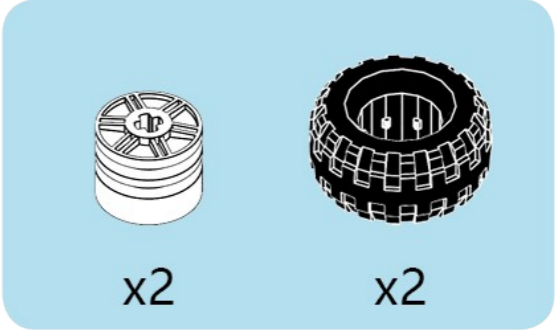
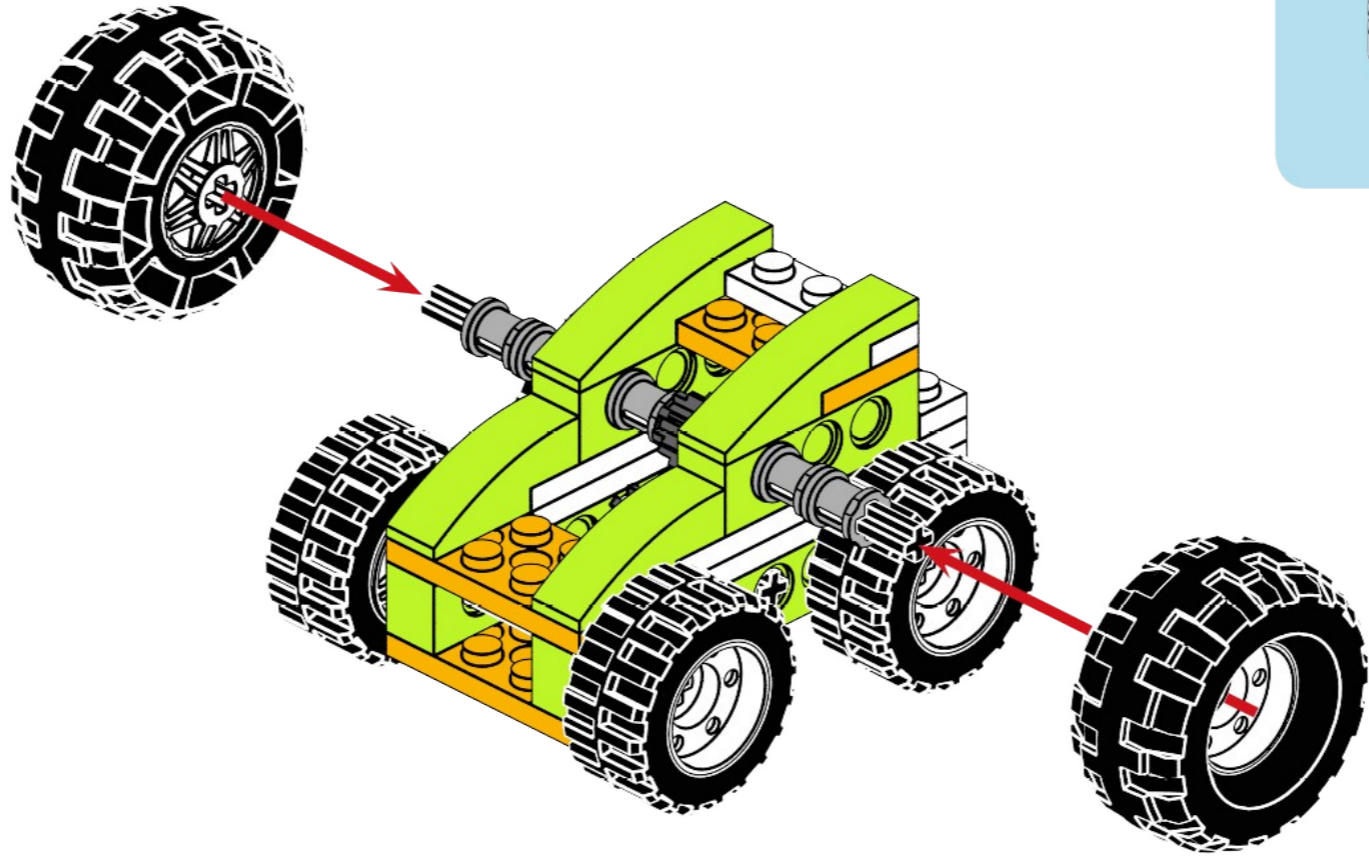


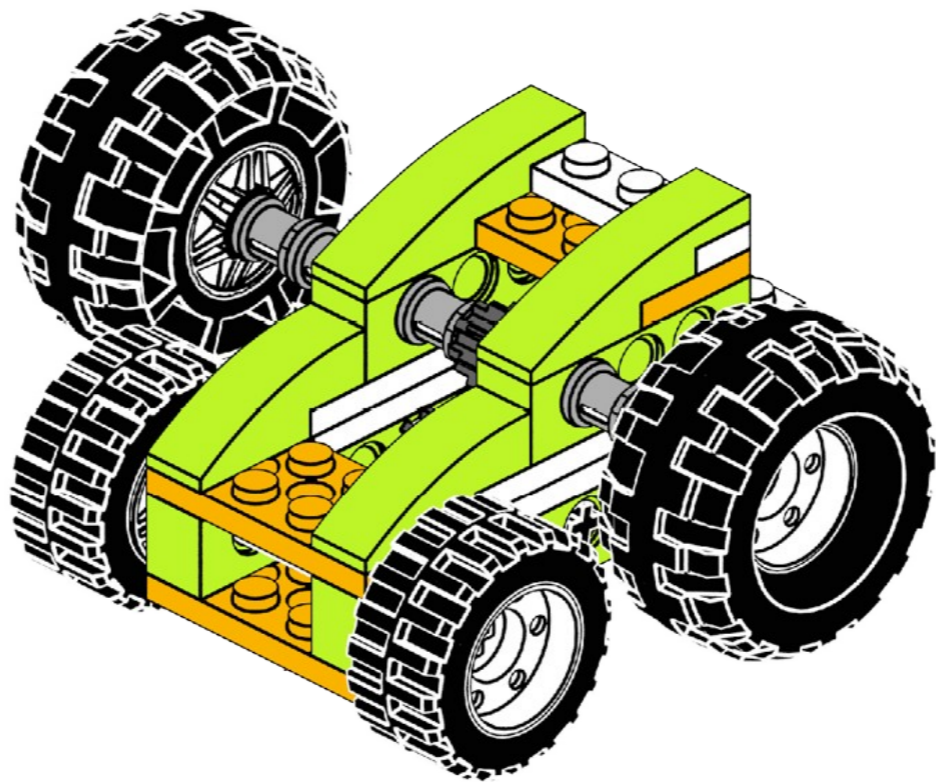
6

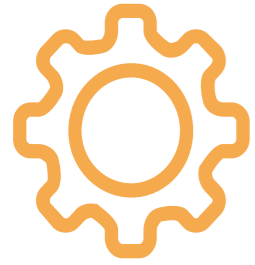


x1

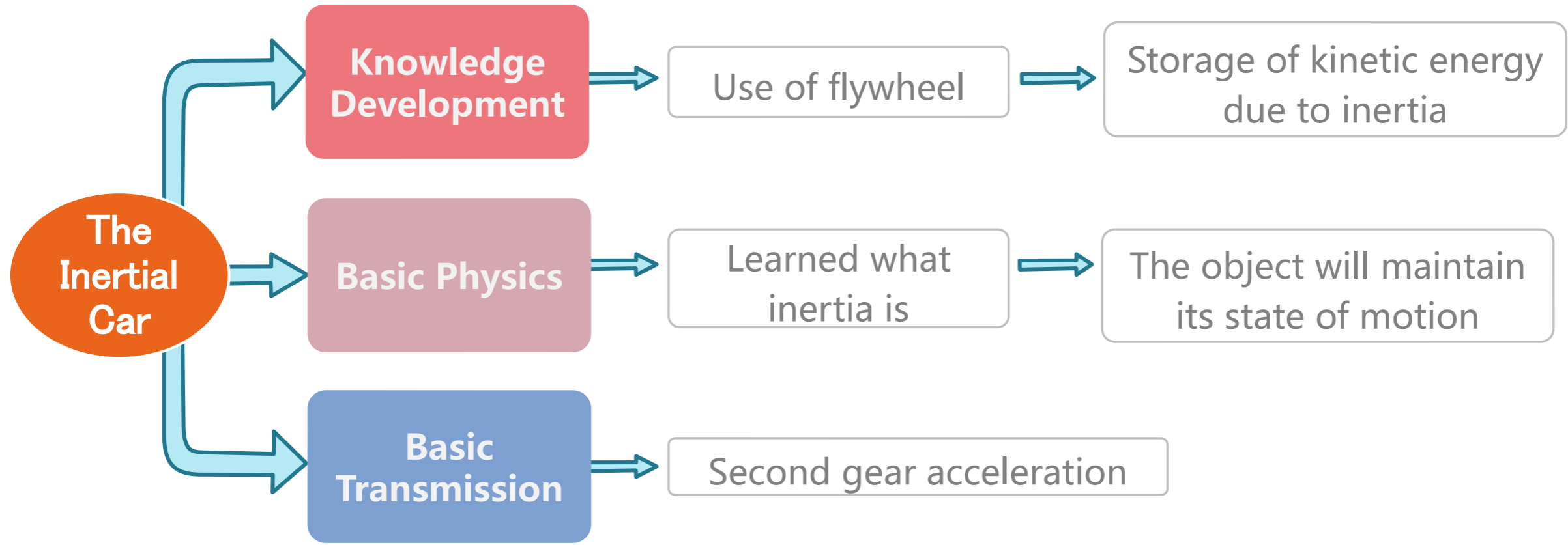








# Review





**Talk**





**THANKS**

