



Logic

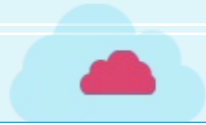
Space



Coding



Focus



Classroom Discipline

01

Please sit down and keep quiet in class.

02

Please raise your hand if you have any questions

03

Please observe carefully when the pictures are played.



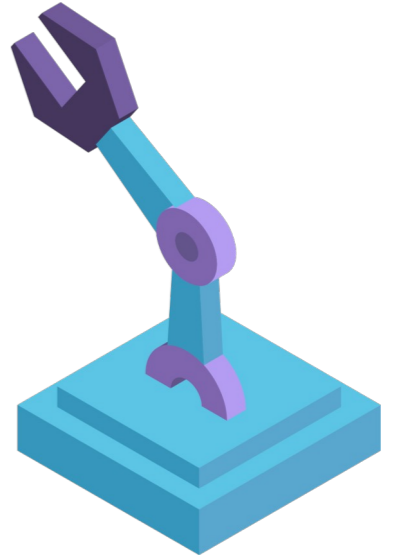


The Windscreen Wiper





Think





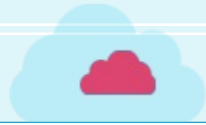
1. What will happen on a rainy day when the glass is covered with raindrops?
2. What tools can be used to clean glass?





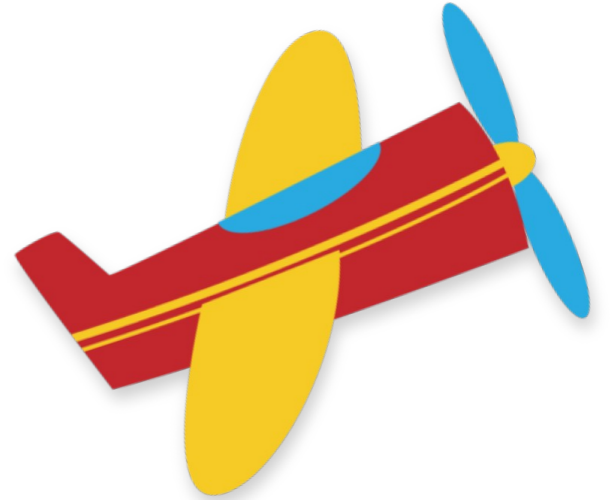
Explore

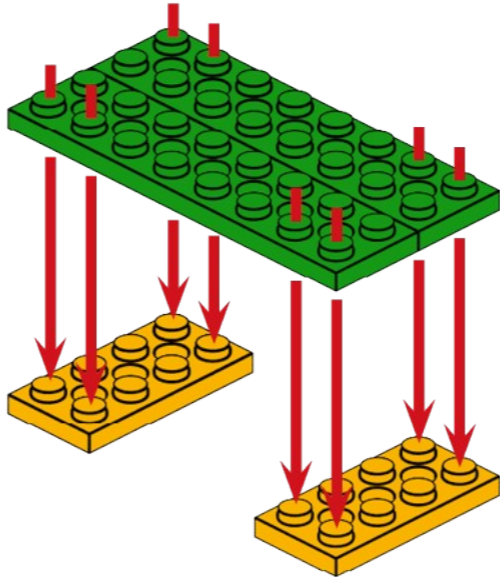
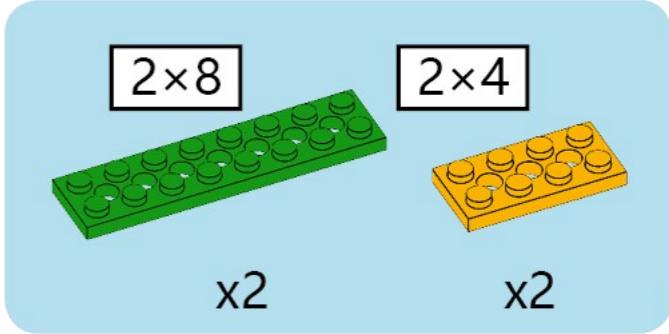


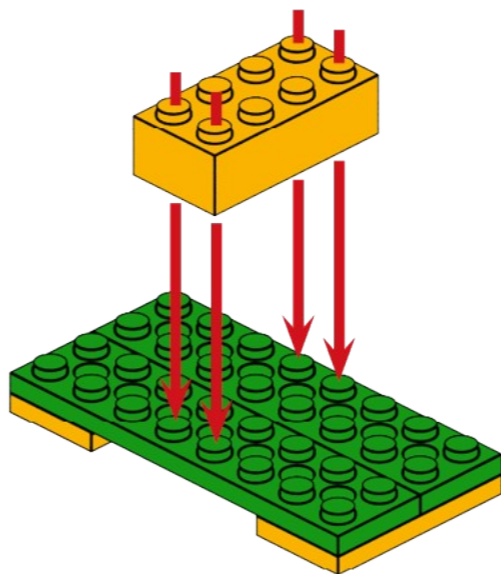
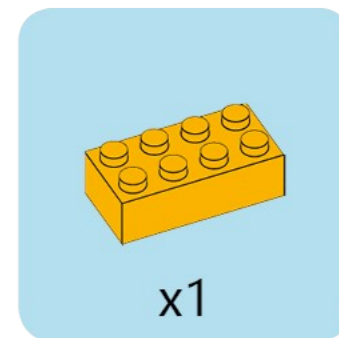


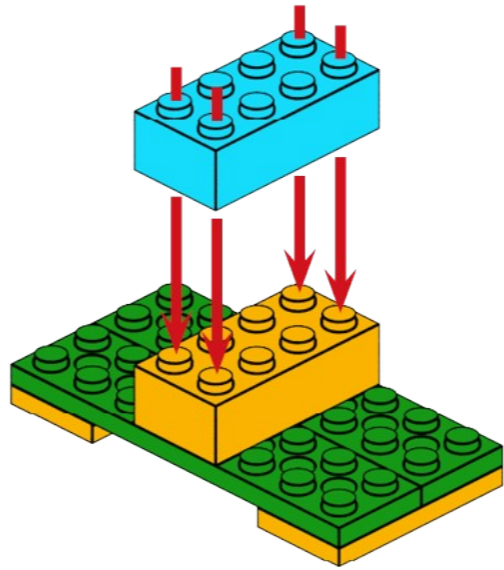
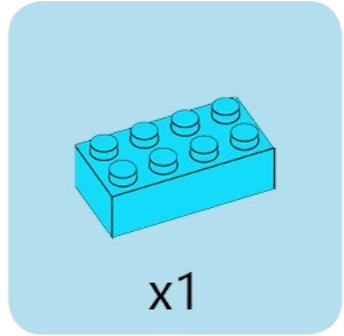
1. There are raindrops outside the car window. Can drivers lean out to wipe the glass?
2. How do windshield wipers work?

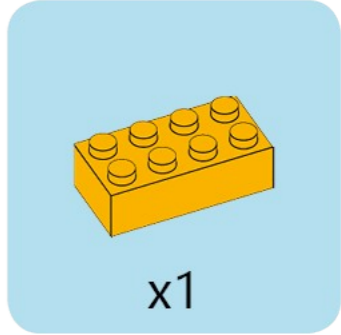
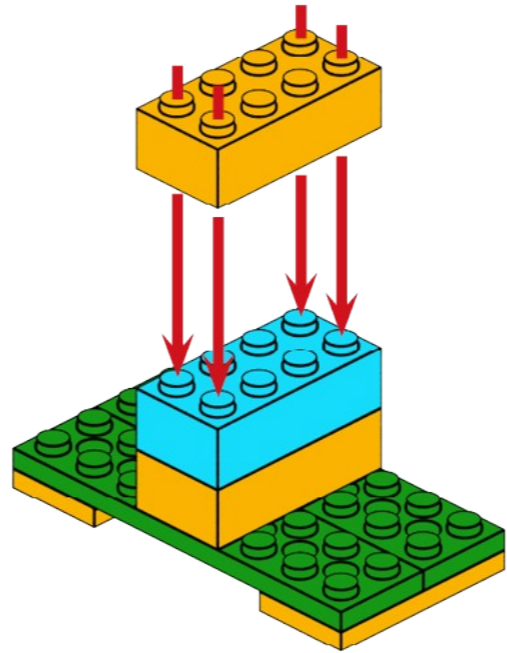


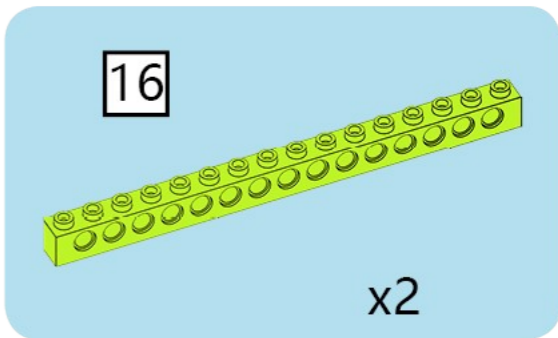
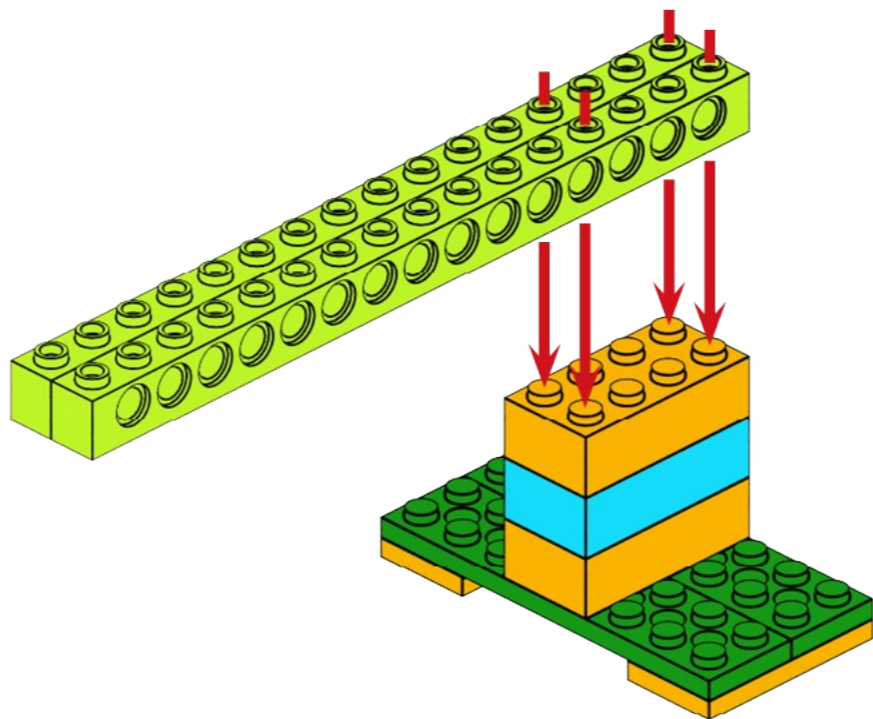


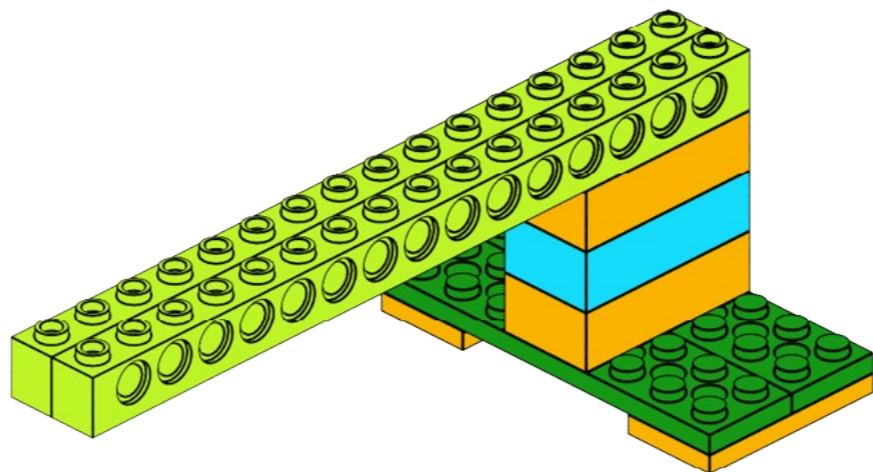


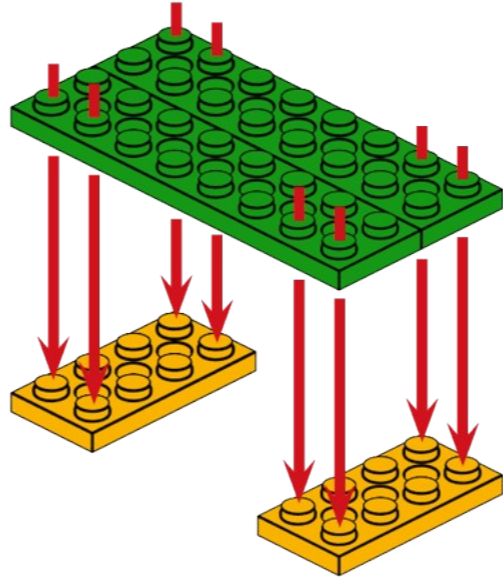
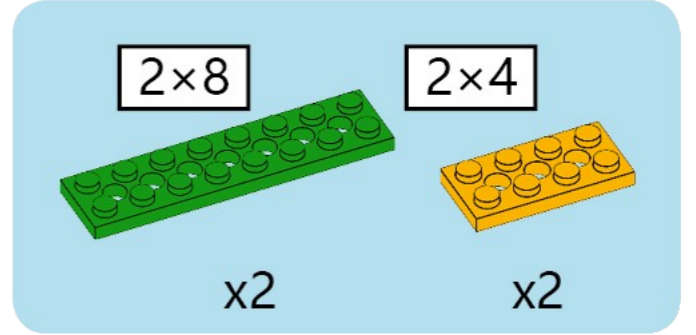


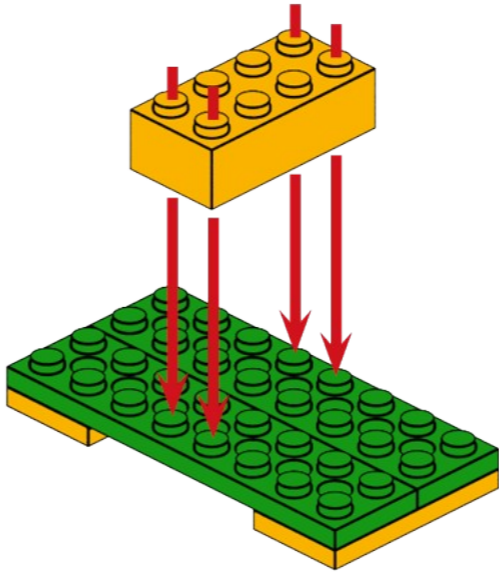
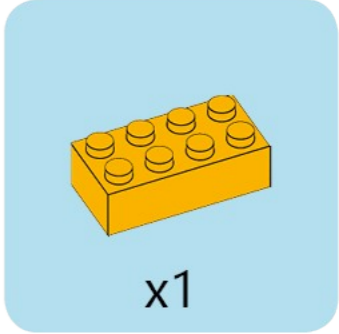


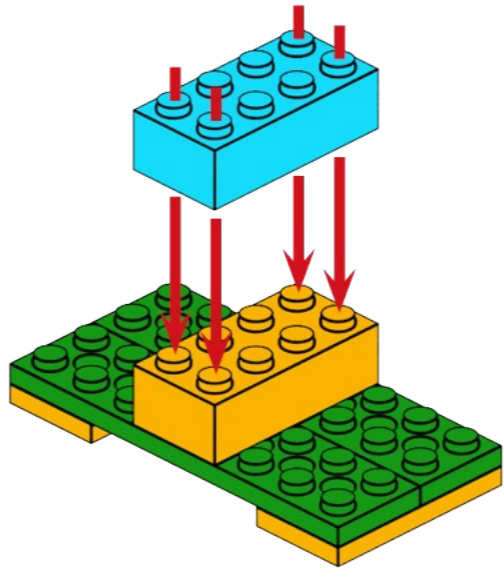
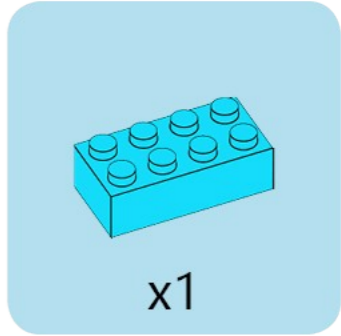


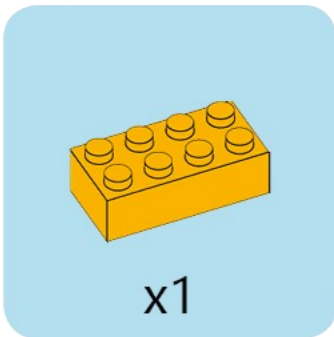
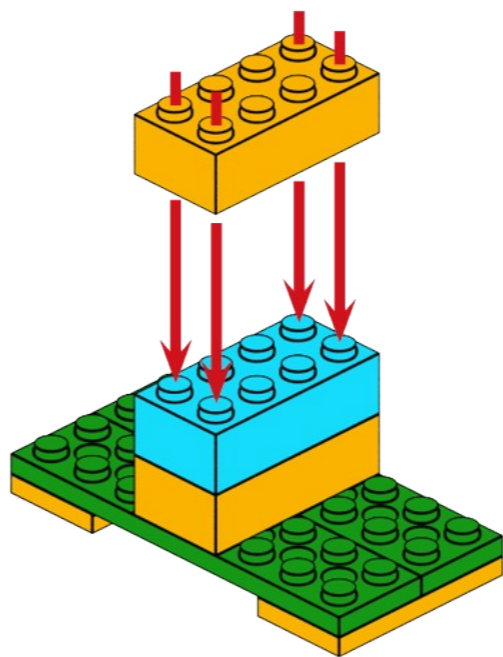


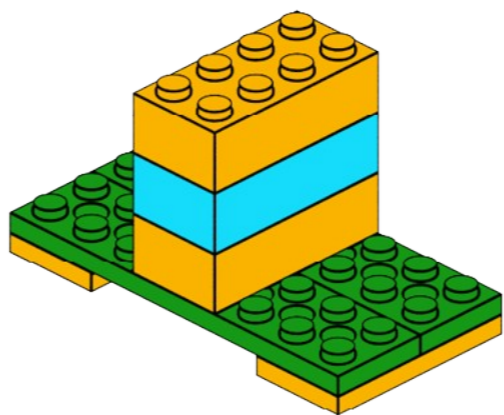


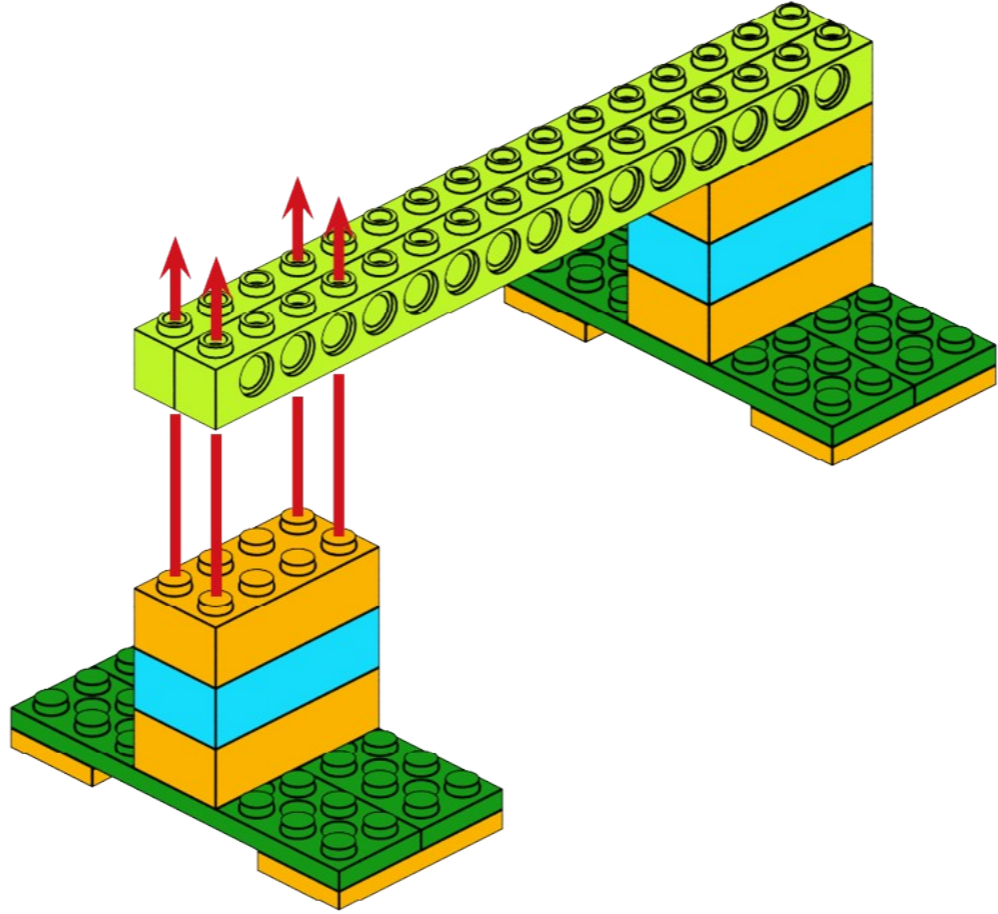


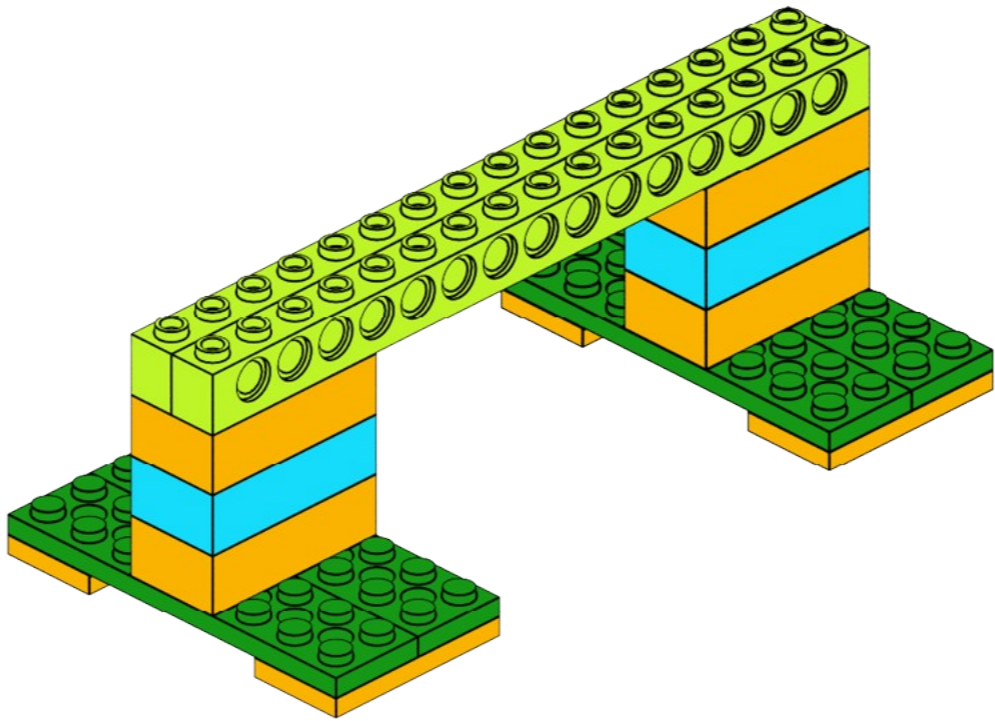


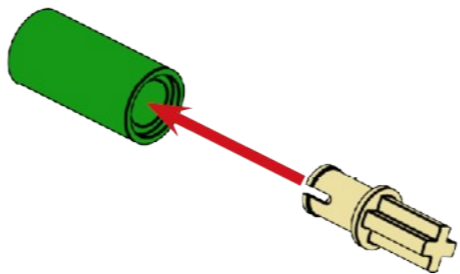
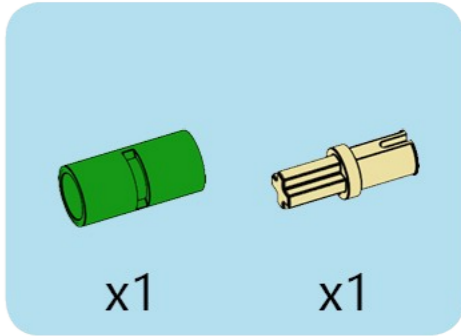


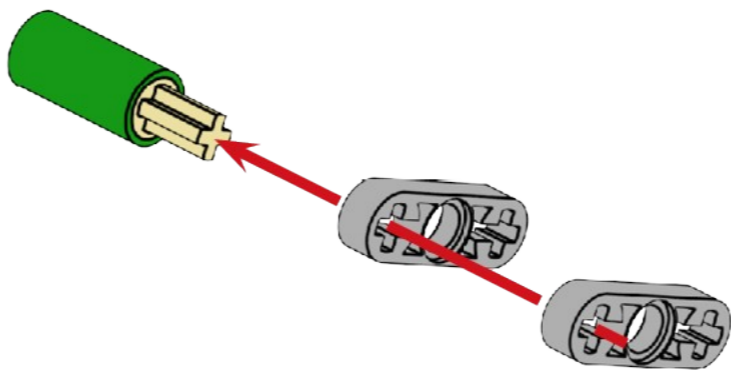
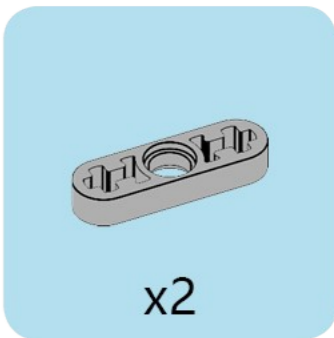


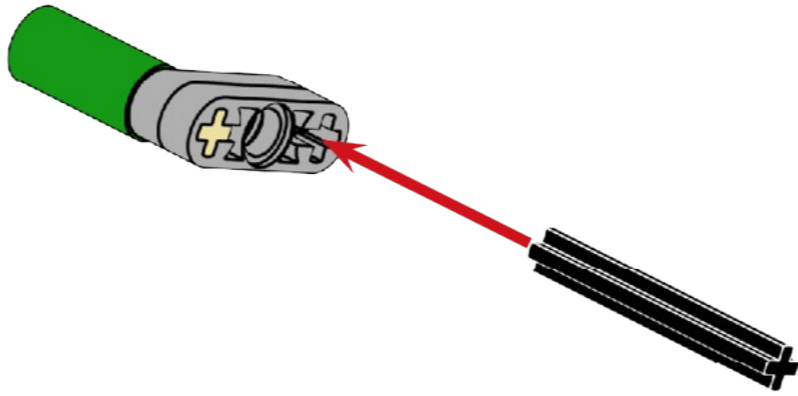
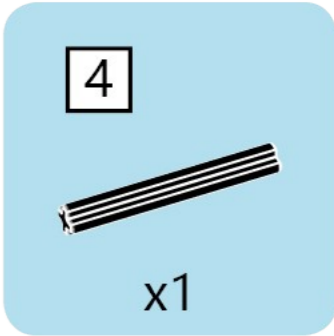


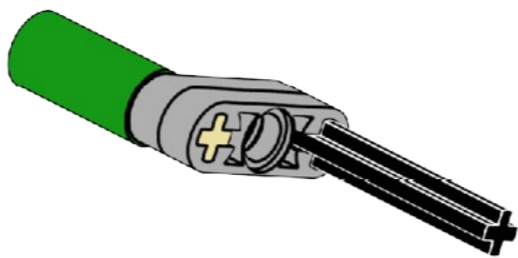


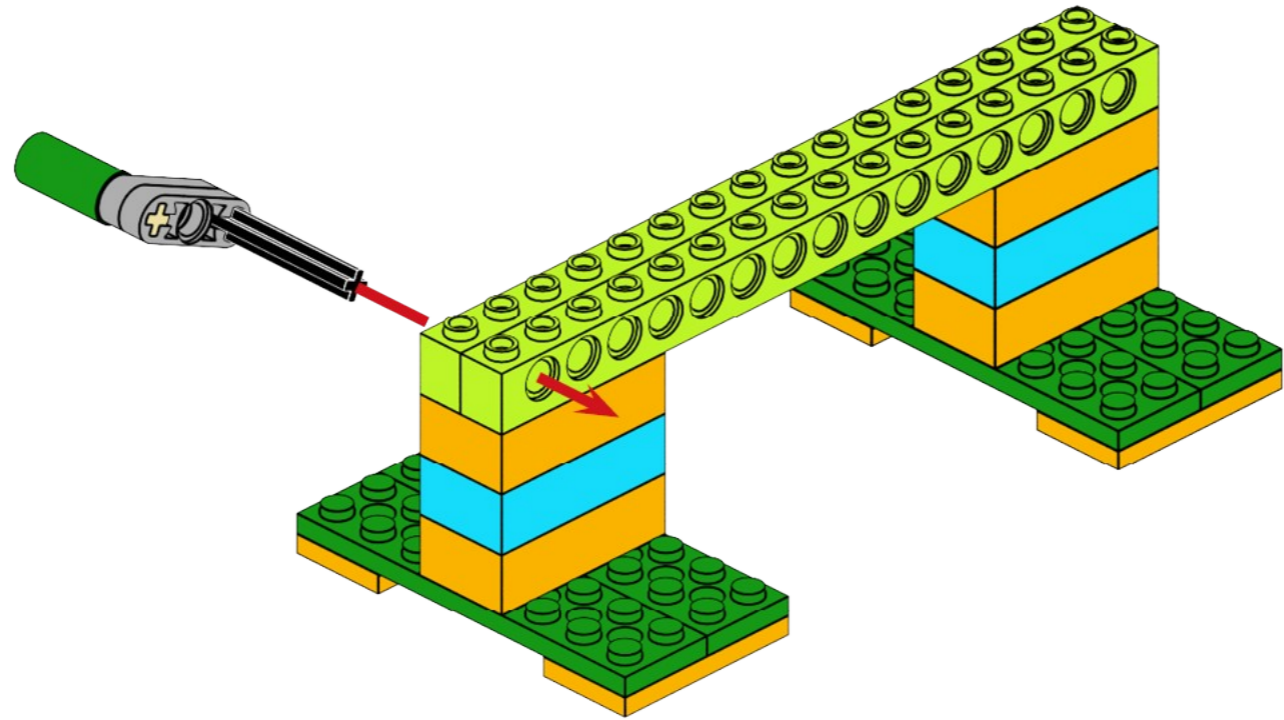


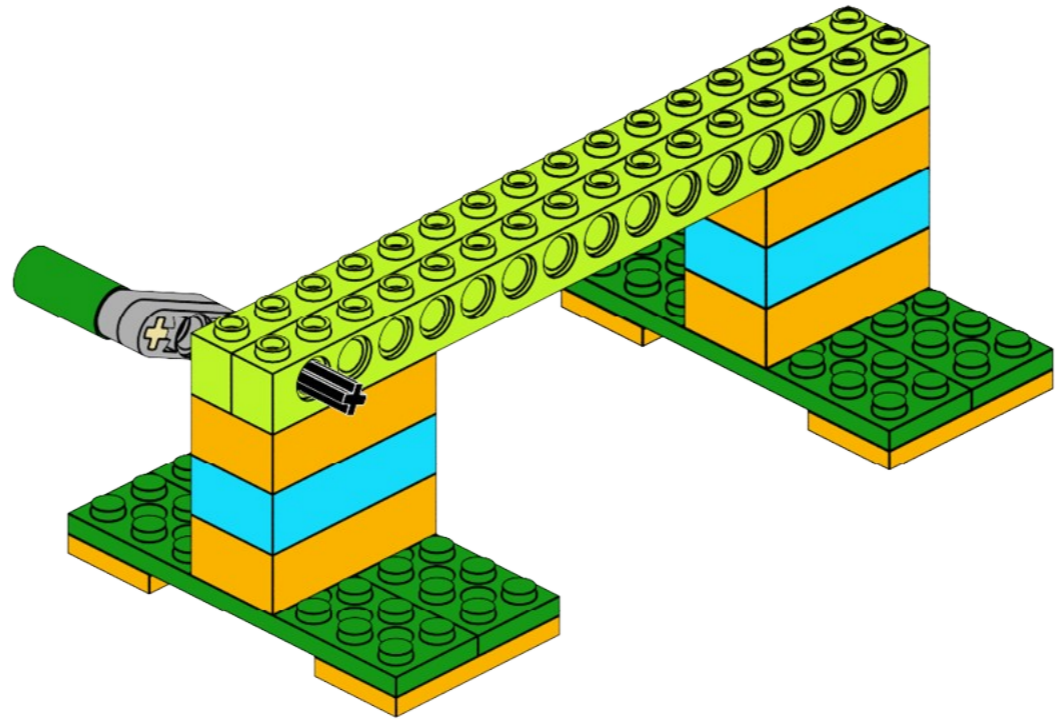






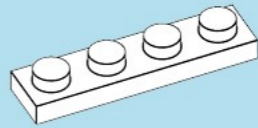




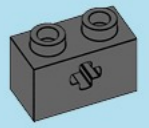




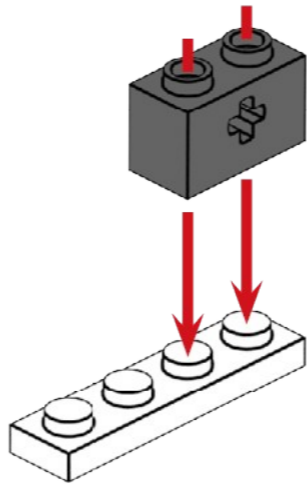
1x4

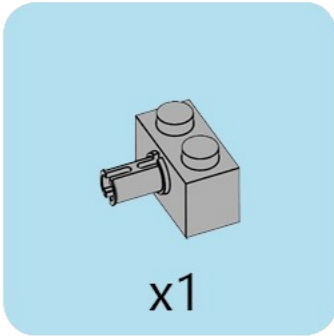
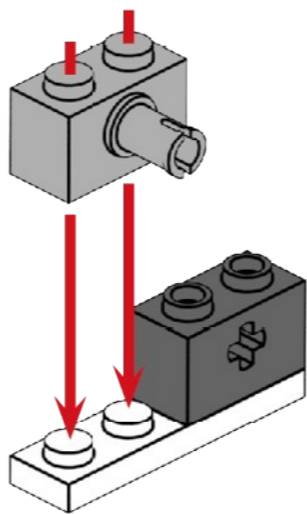


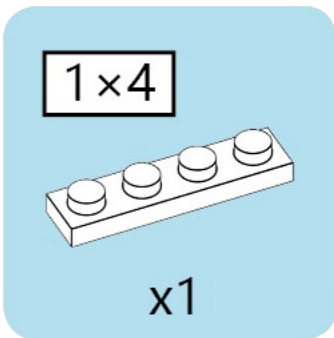
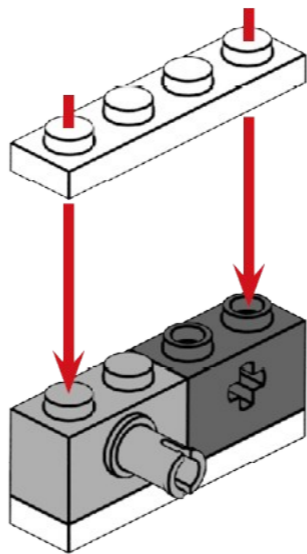
x1

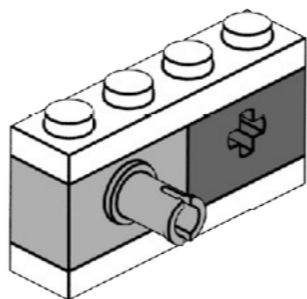


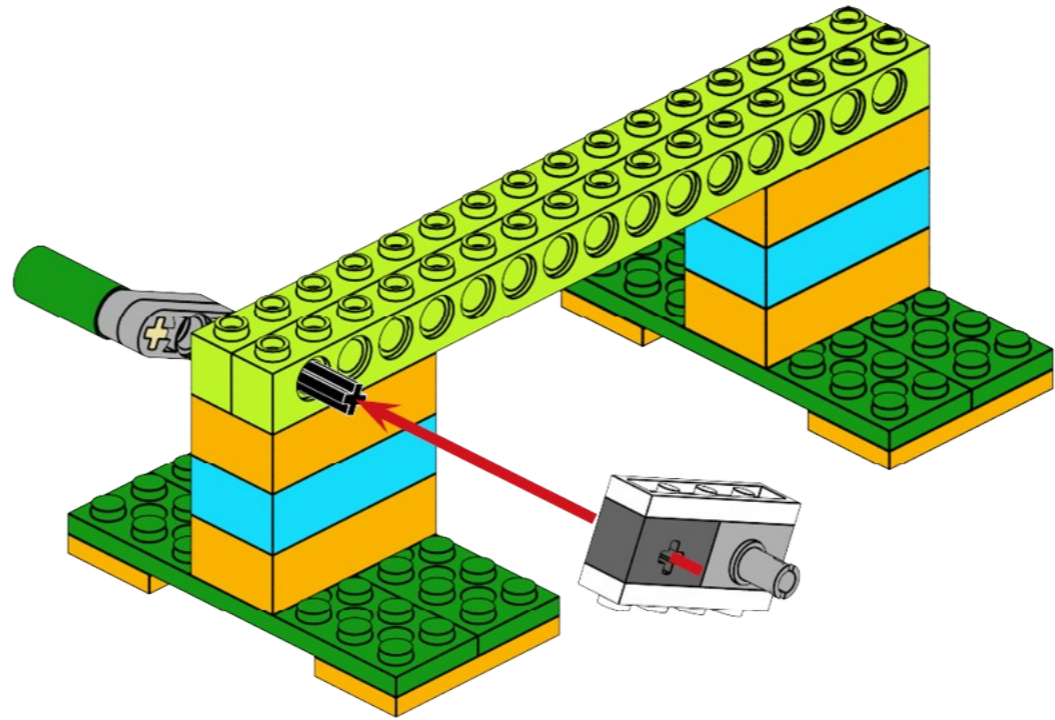
x1

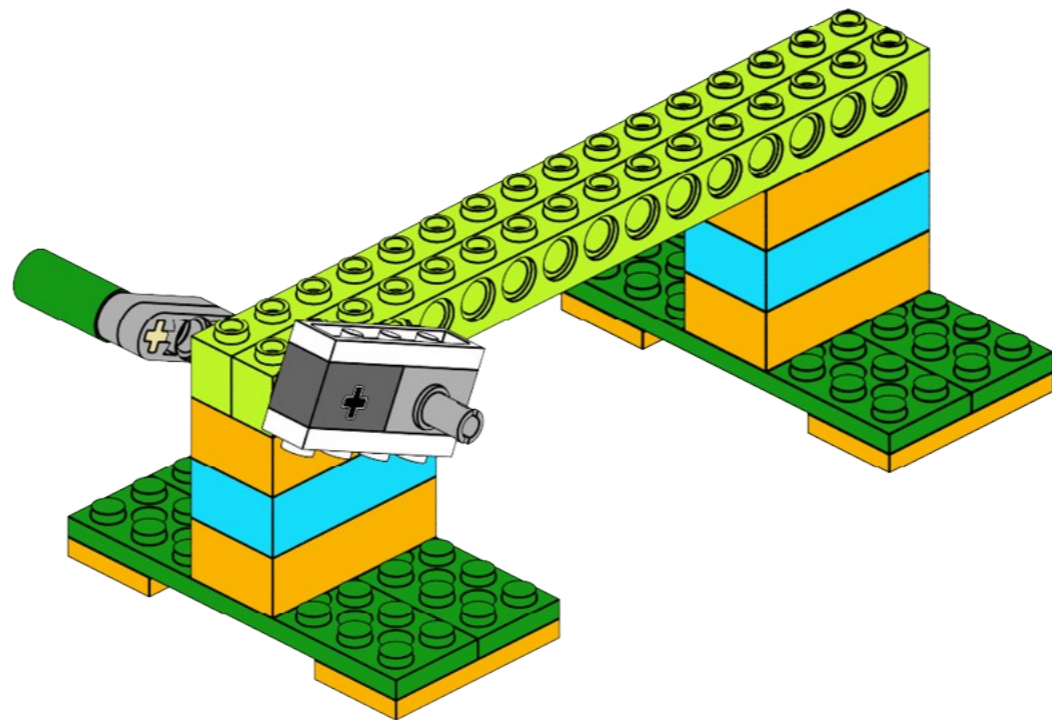


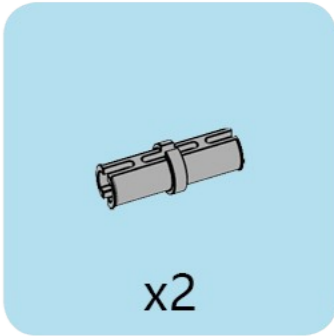
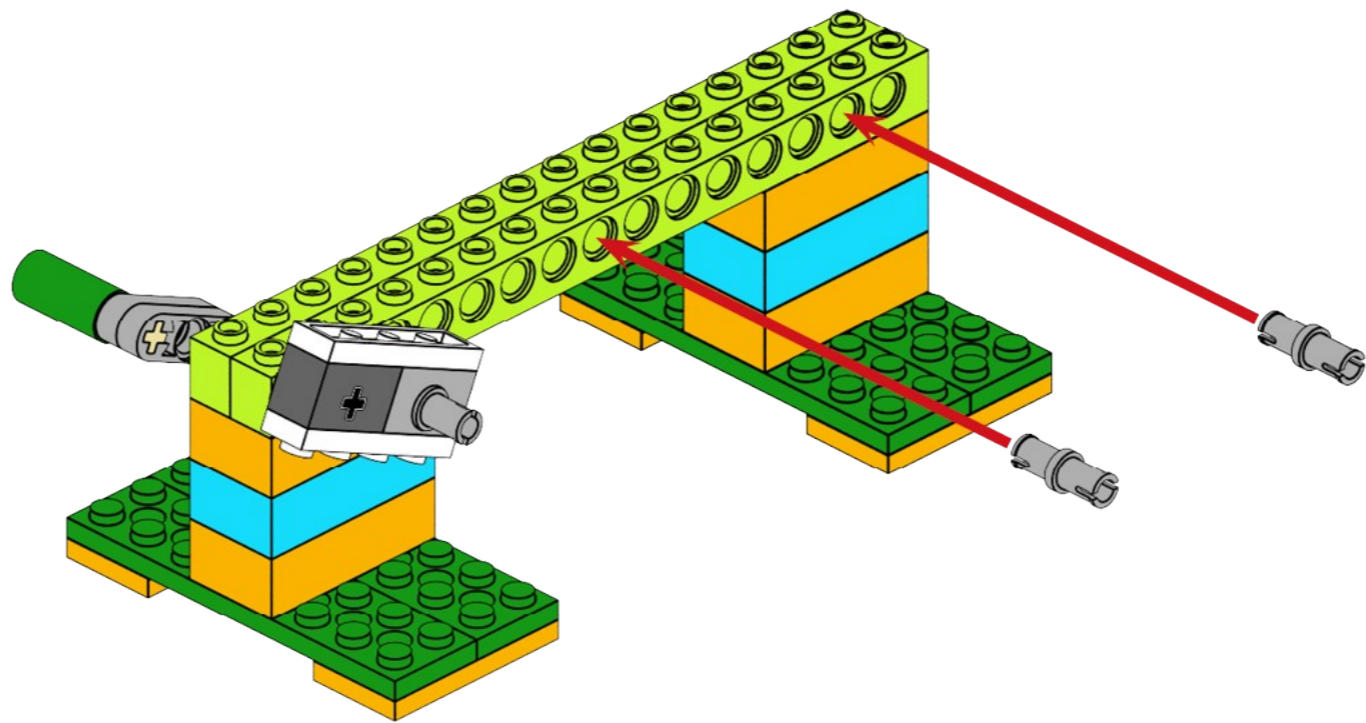




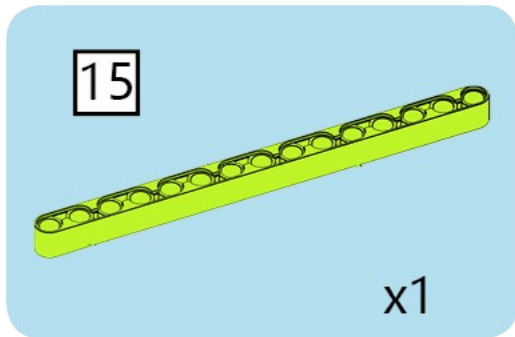
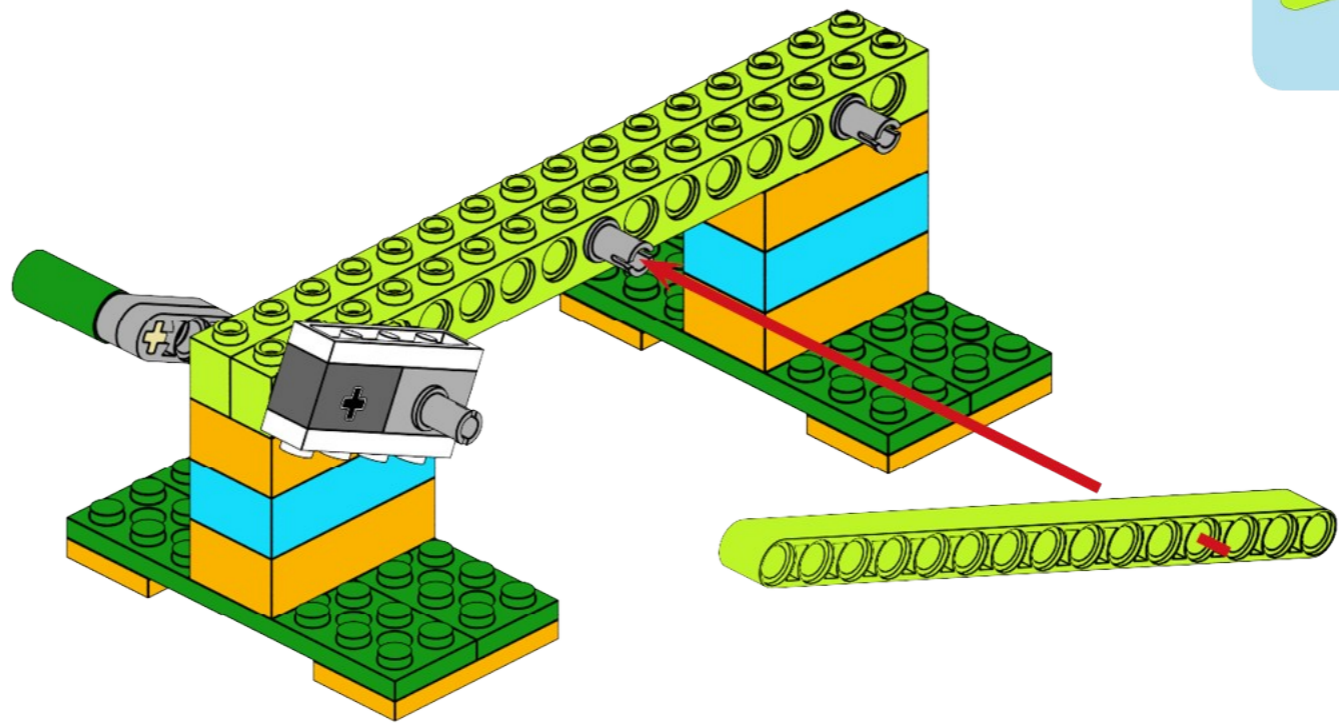


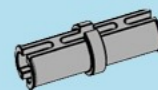
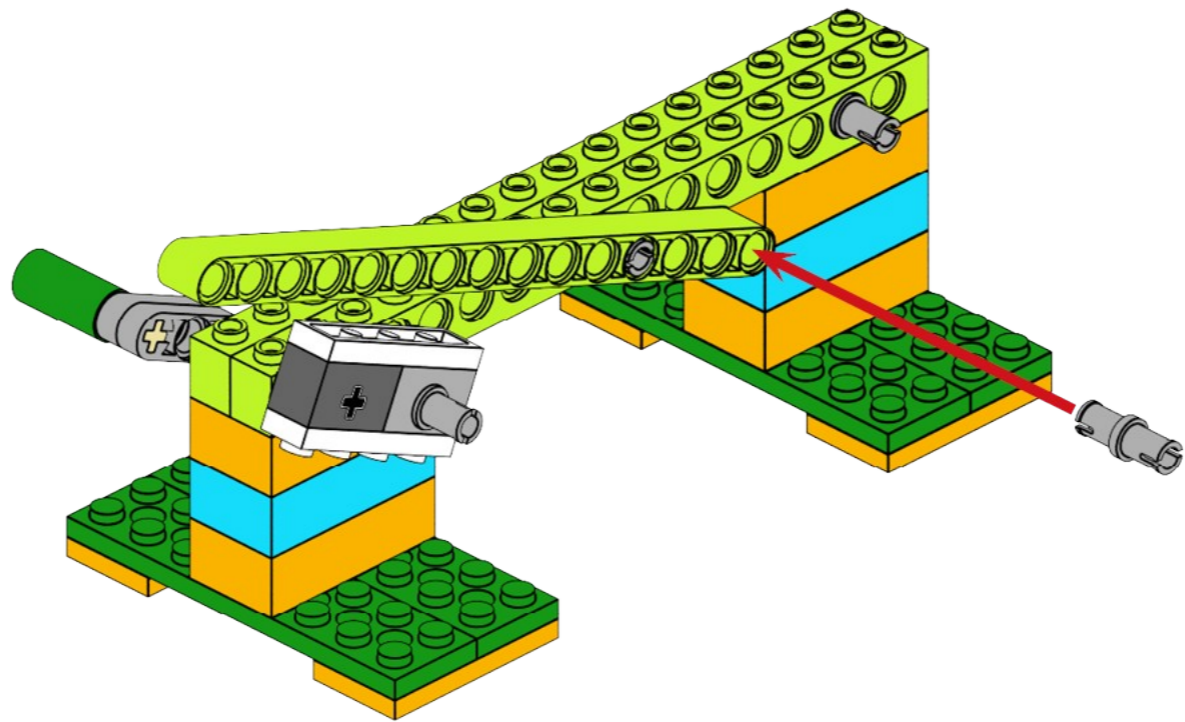




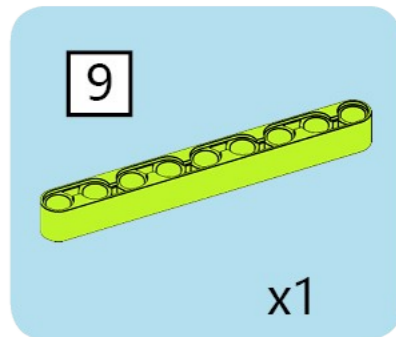
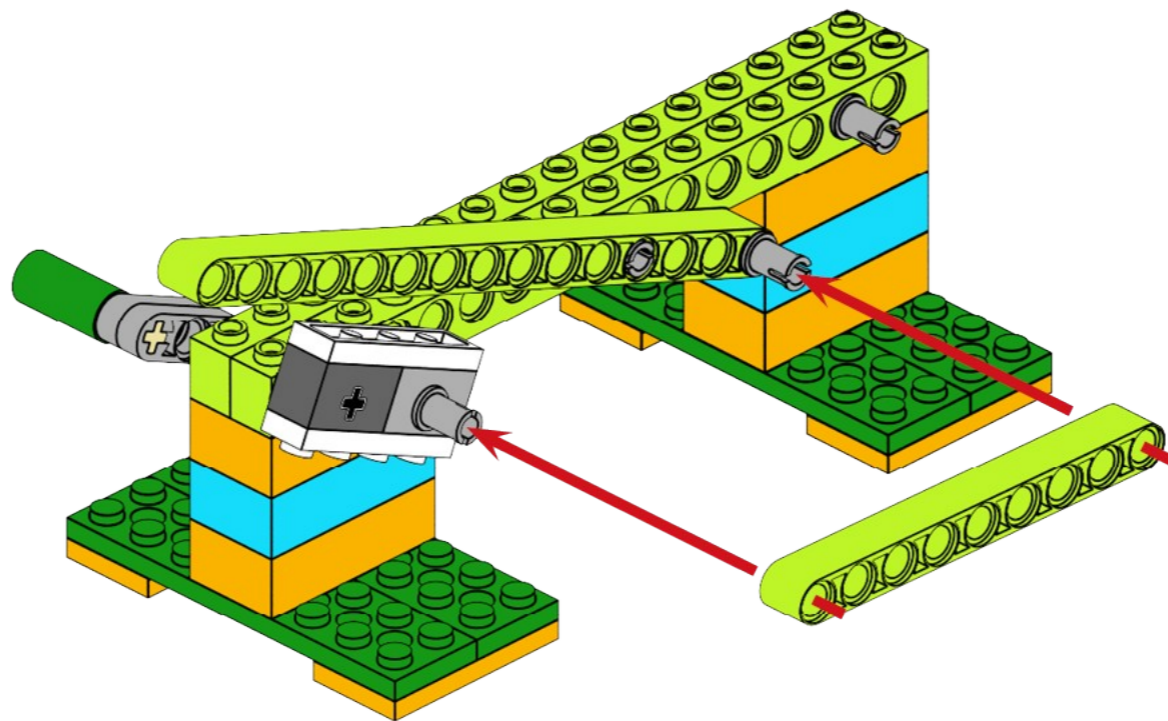


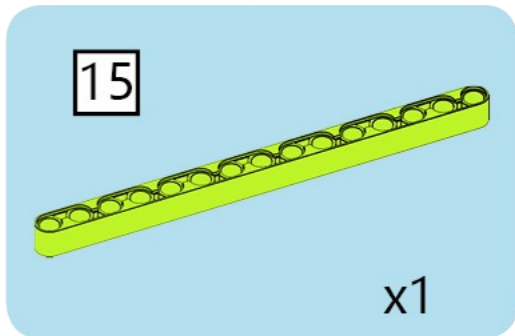
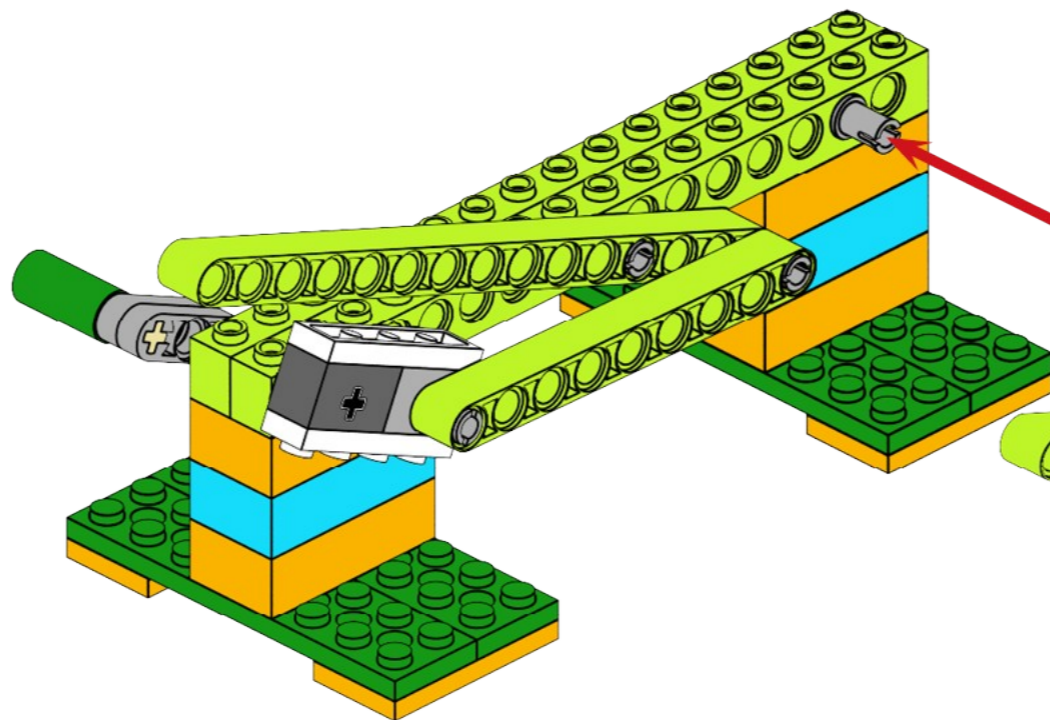
x2

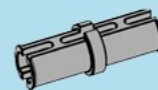
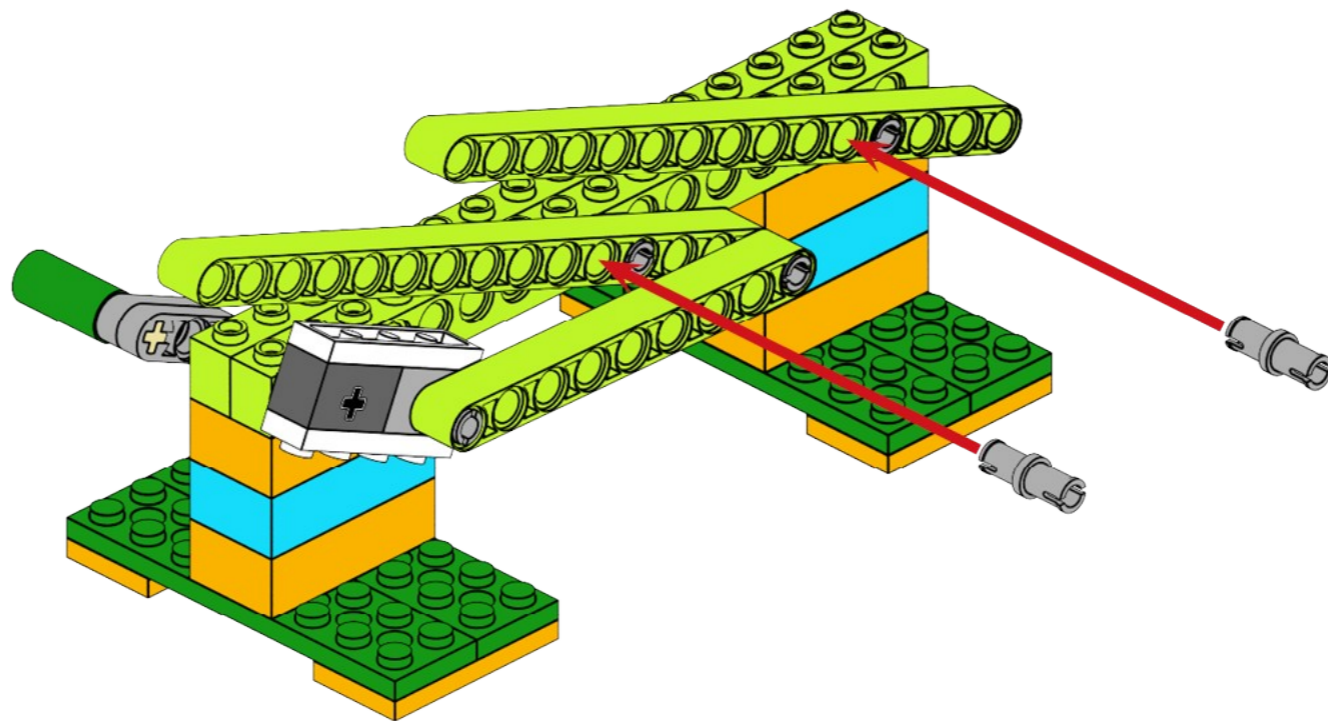




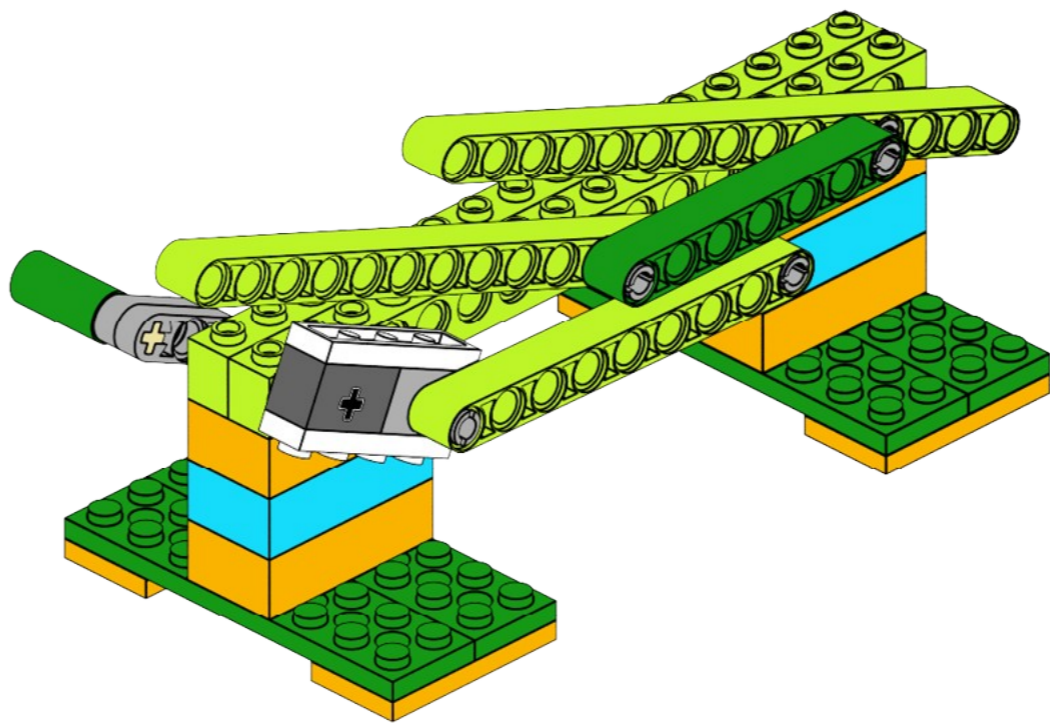
x1

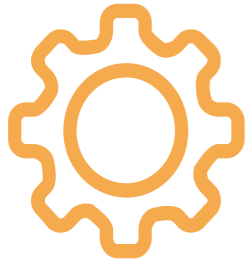




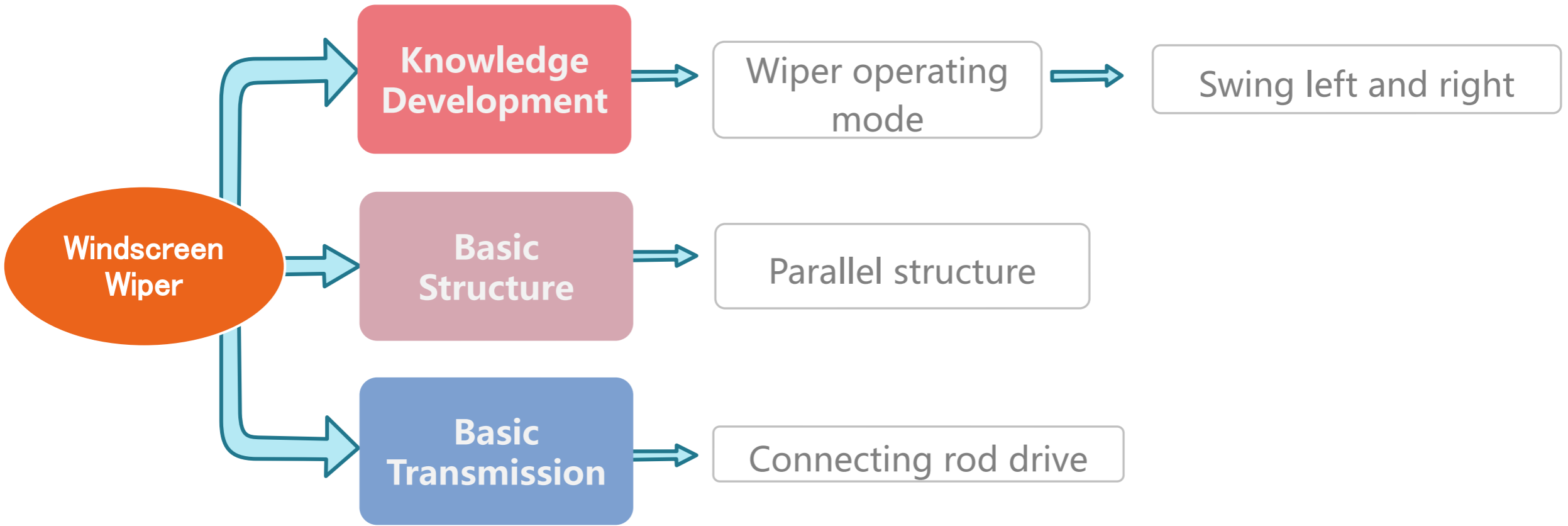


x2



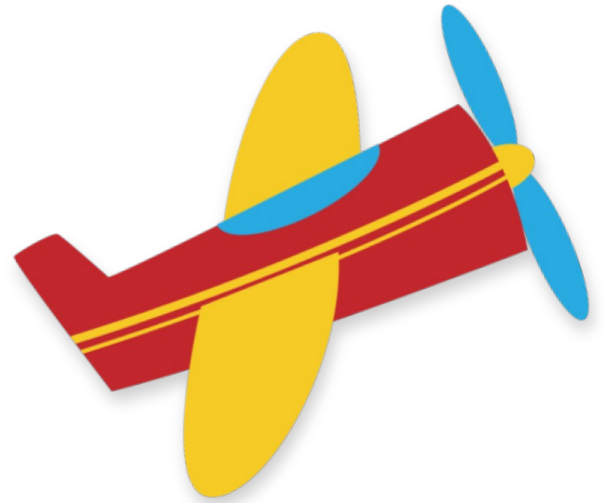


Review





Talk





THANKS

