



Logic

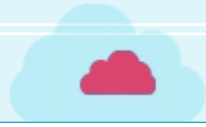
Space



Coding



Focus



Classroom Discipline

01

Please sit down and keep quiet in class.

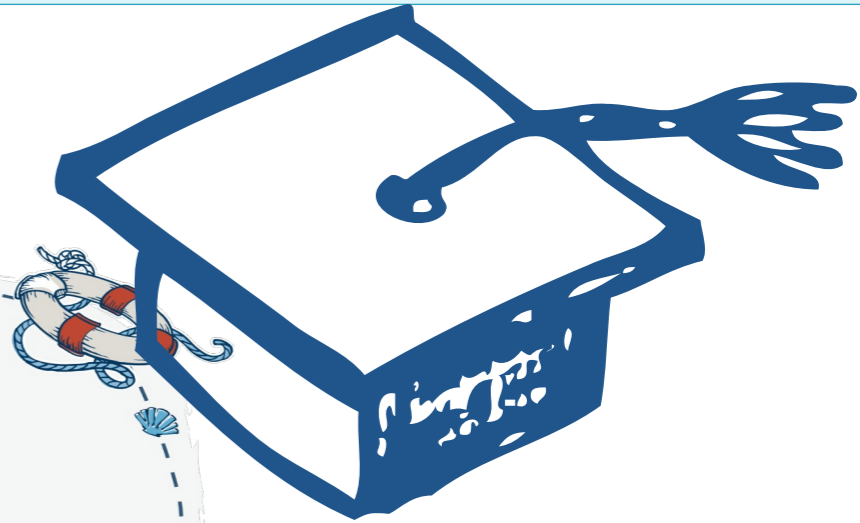
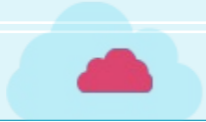
02

Please raise your hand if you have any questions

03

Please observe carefully when the pictures are played.



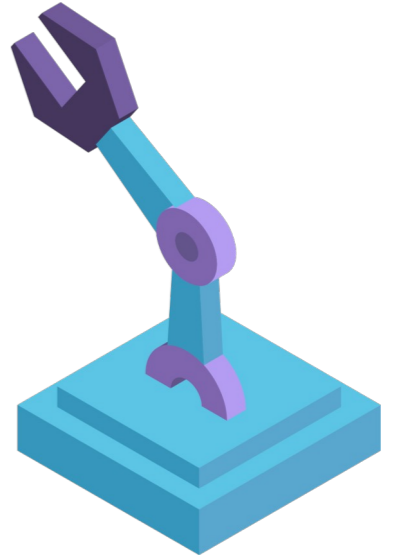


Extruding Machine





Think

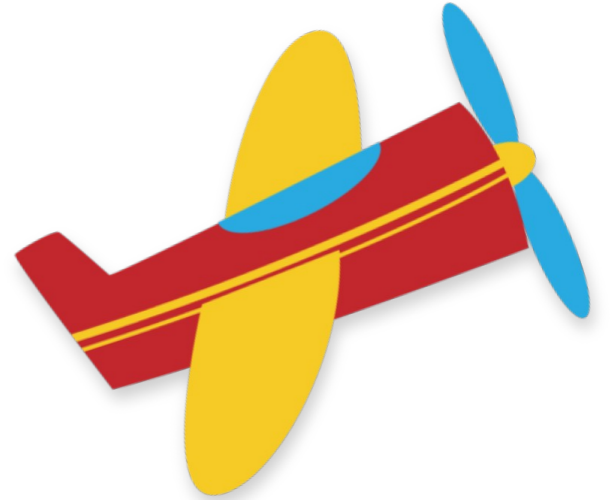


1. How do you usually throw away garbage?
2. Do you know how we should throw away garbage?





Explore



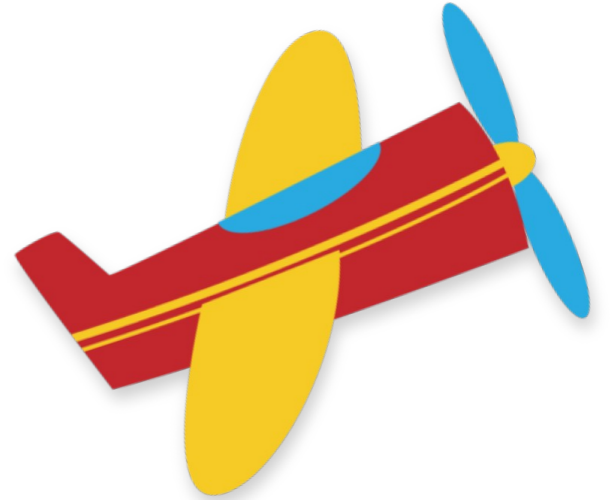
How is the garbage we throw away collected?

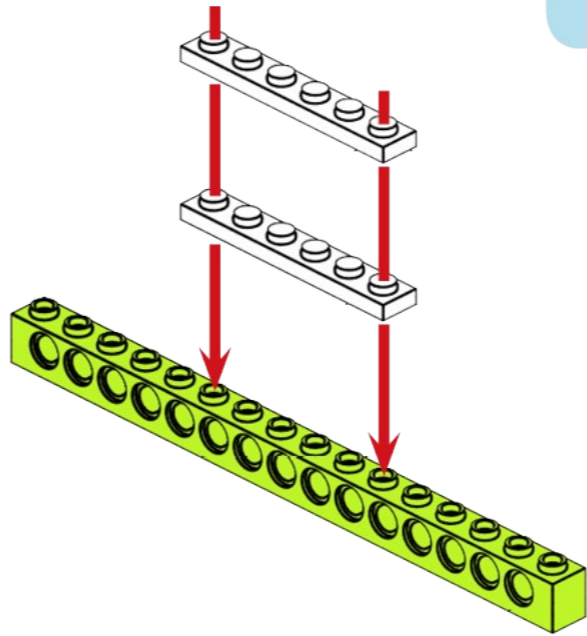
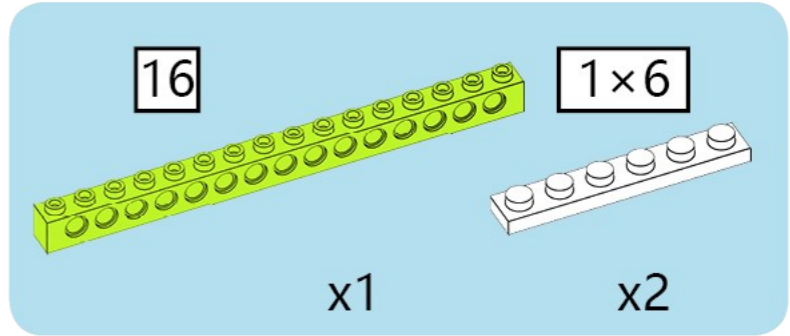


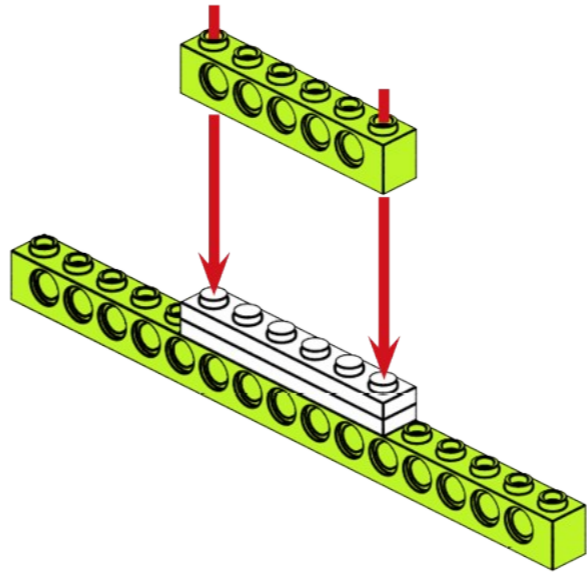
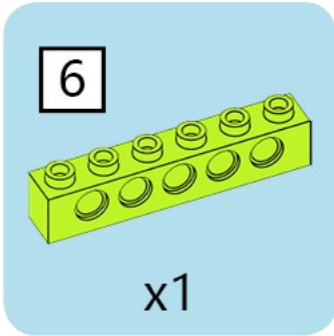
I hope every child can love our environment and protect our earth.

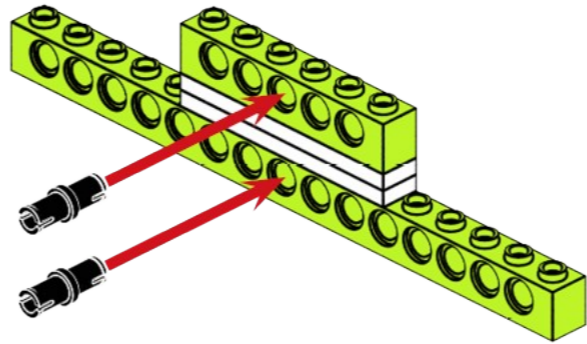
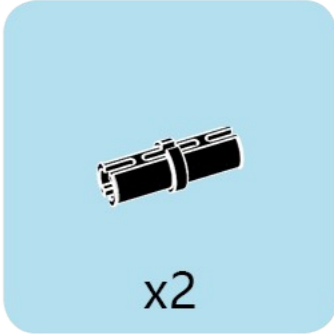


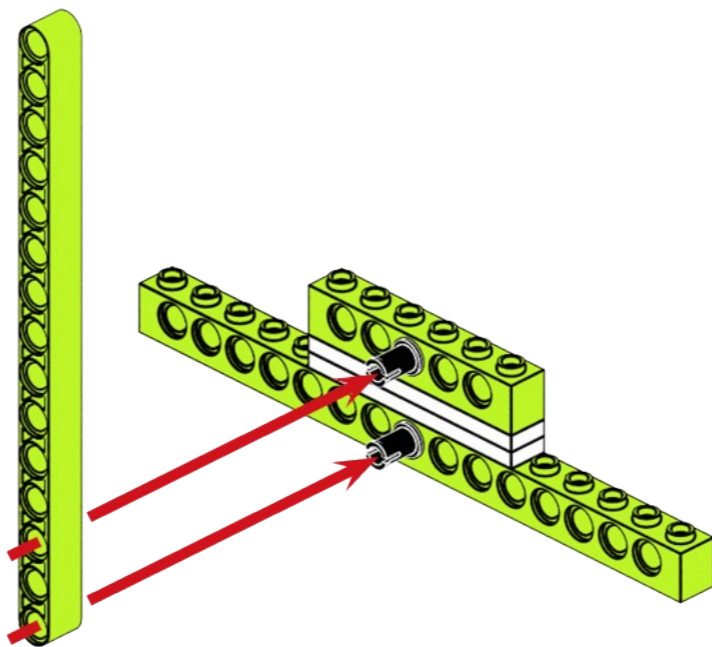
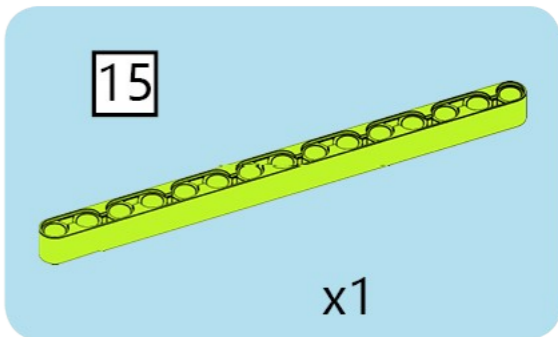
Build

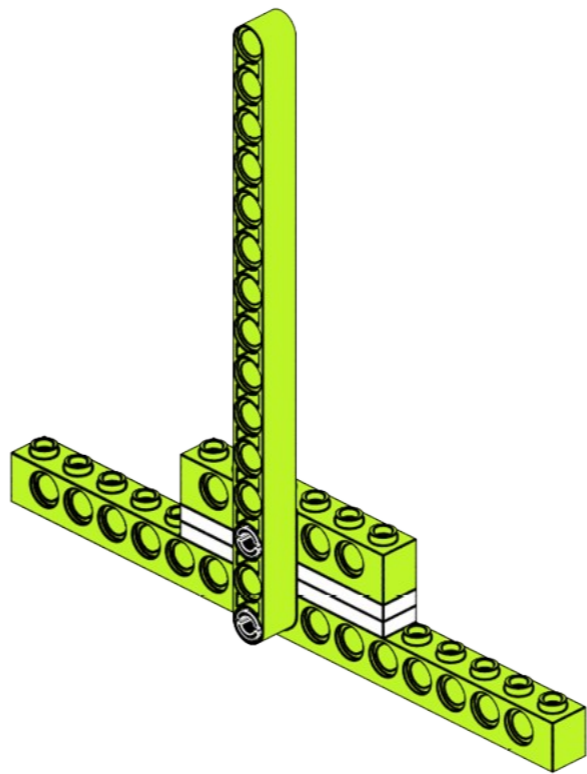


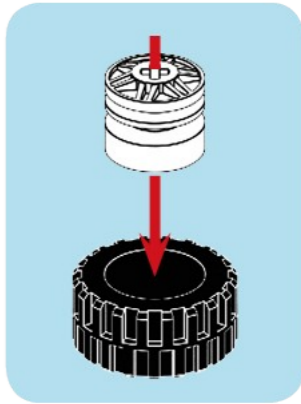
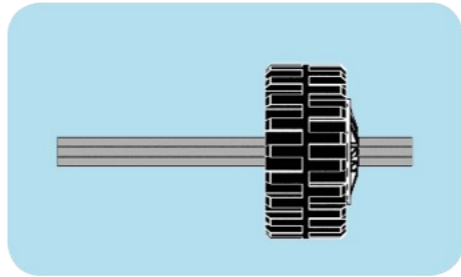
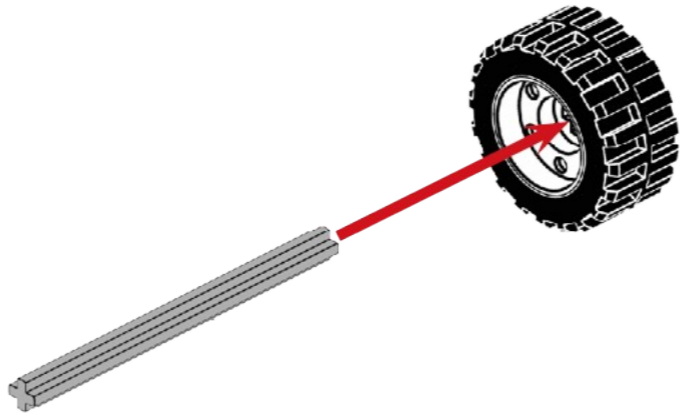
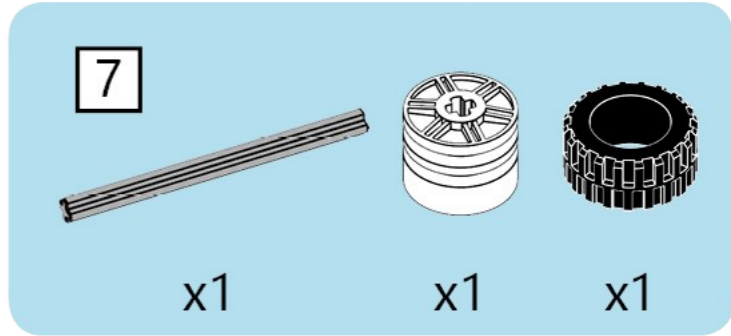


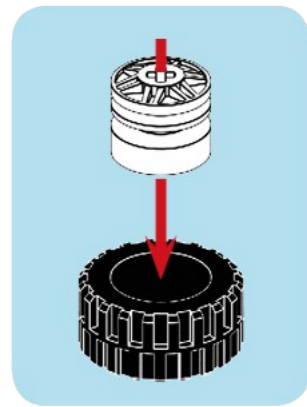
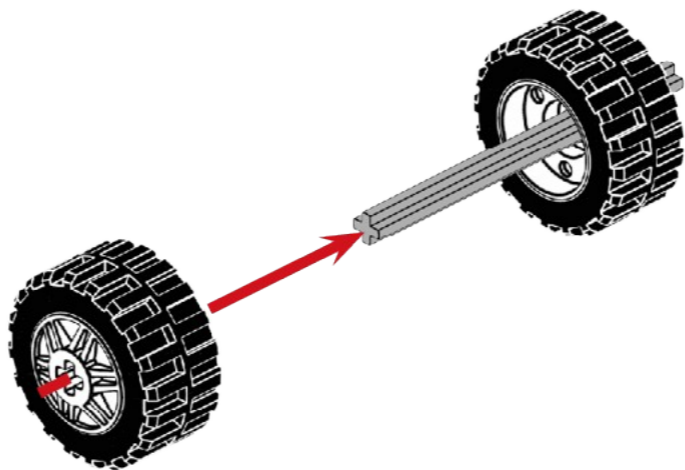
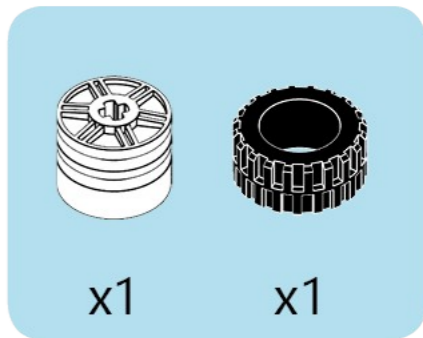




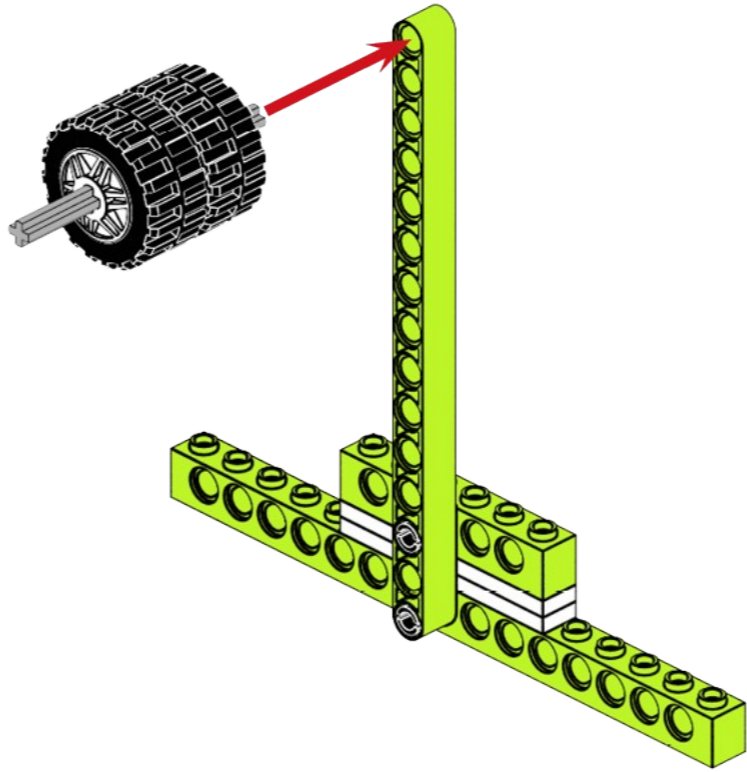


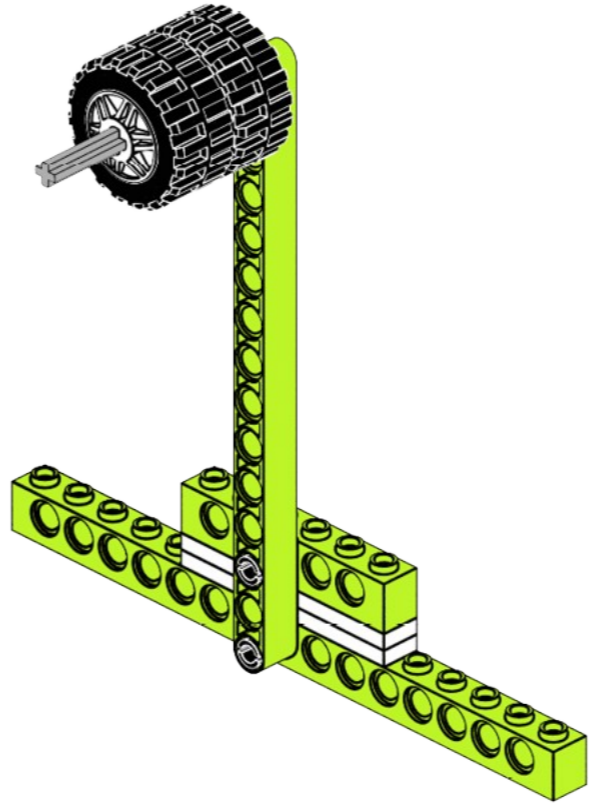


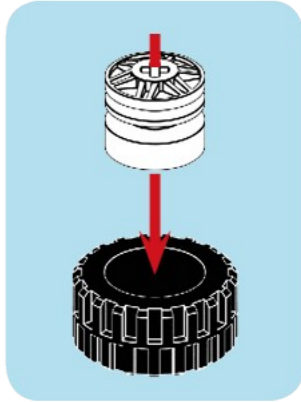
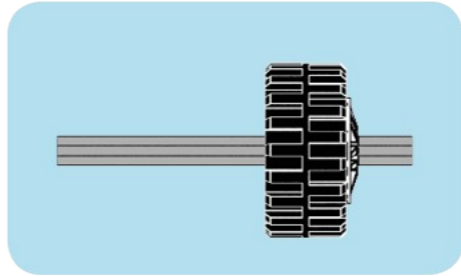
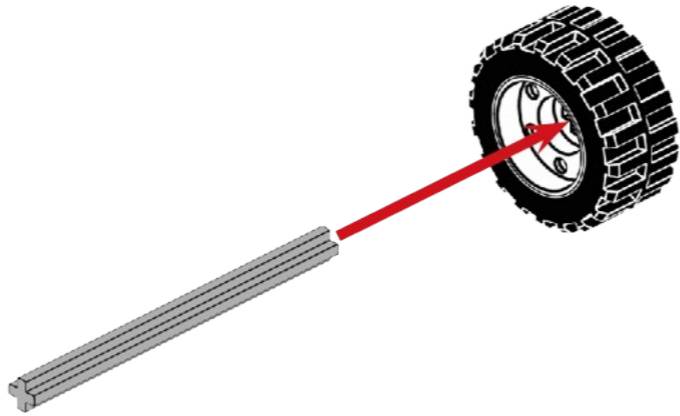
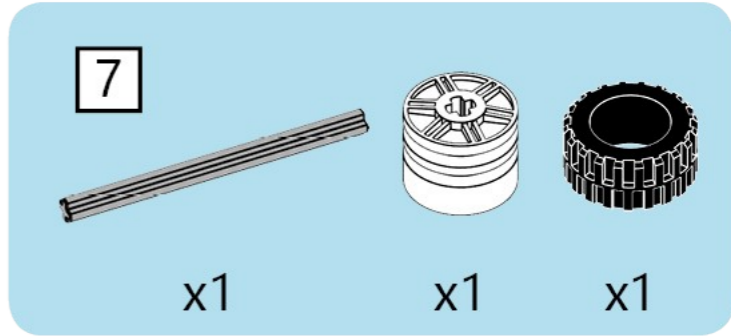


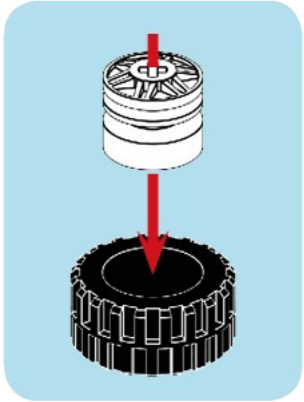
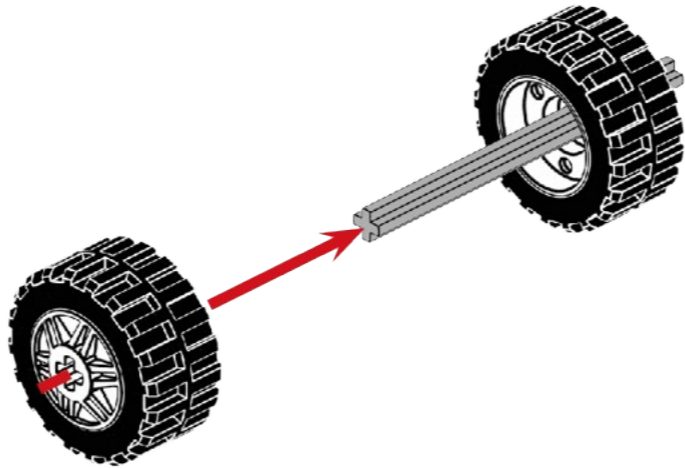
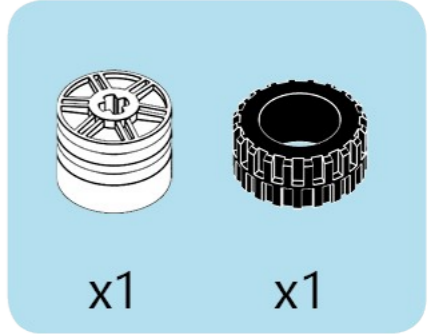


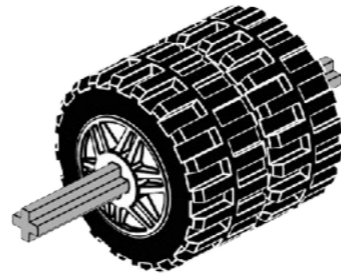


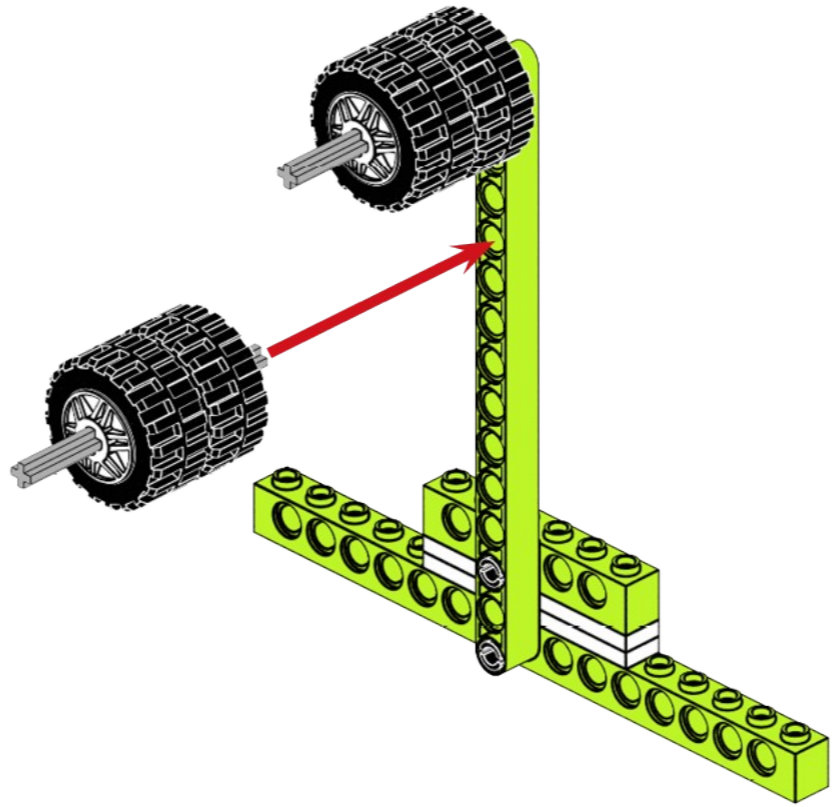


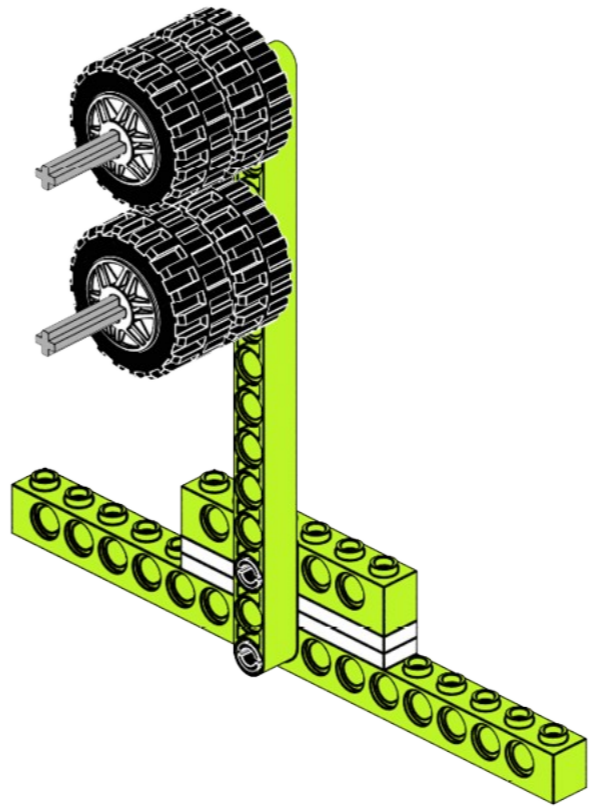


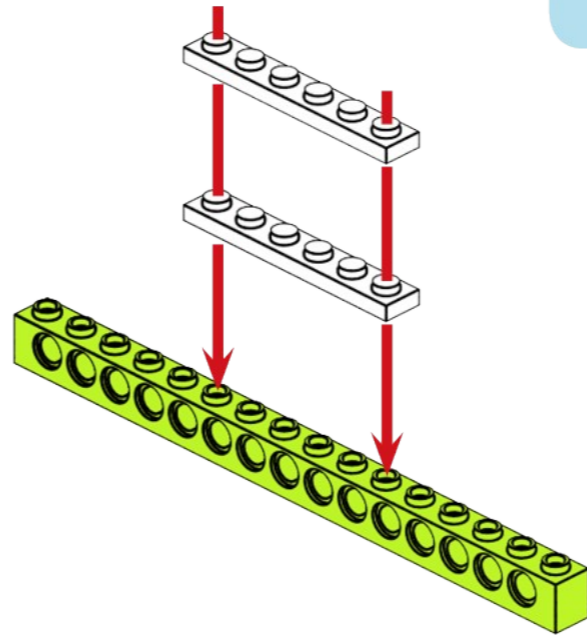
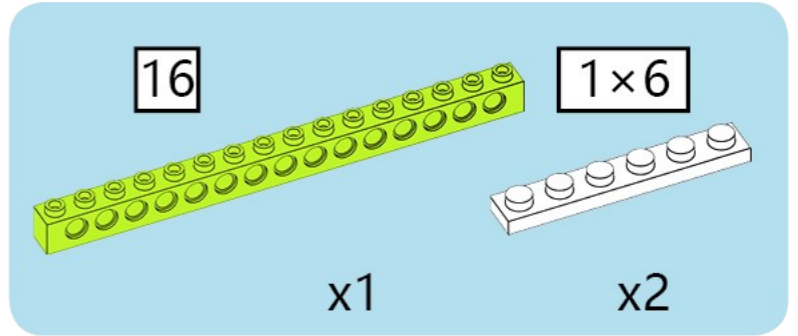


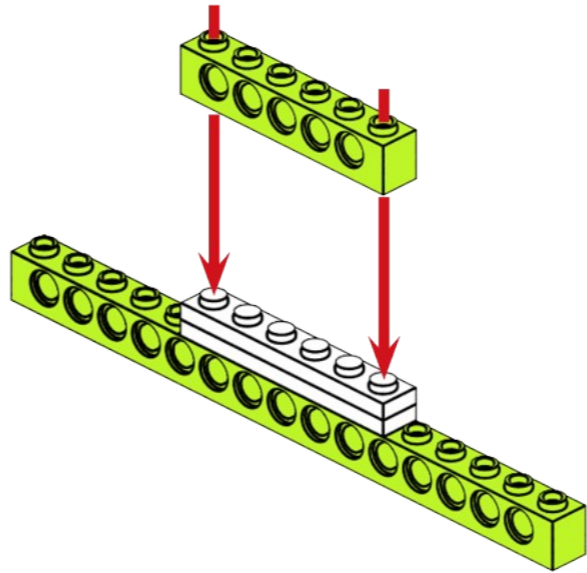
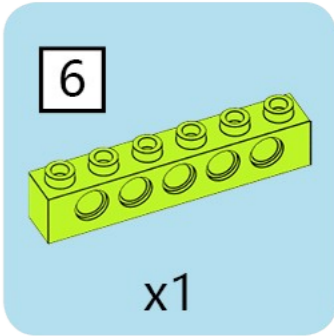


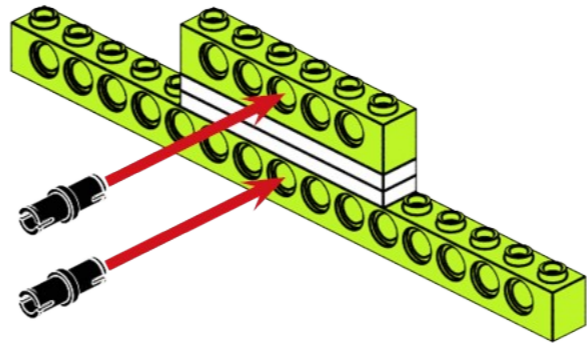
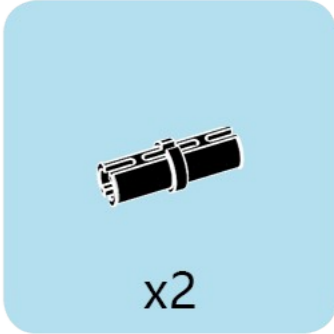


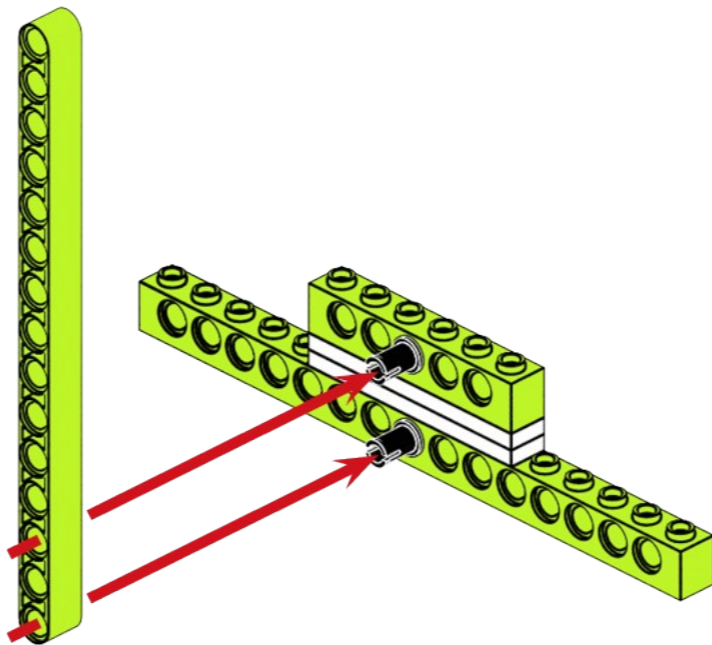
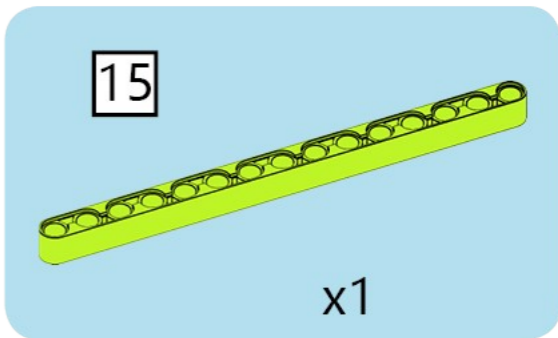


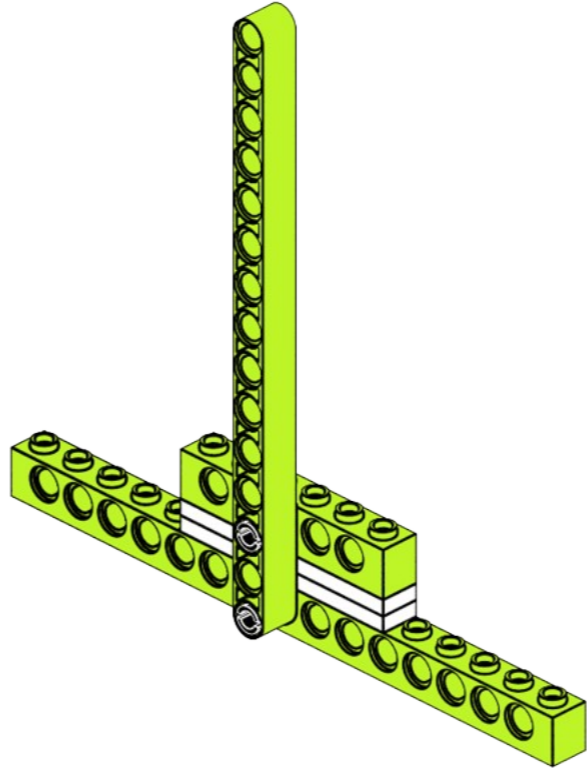


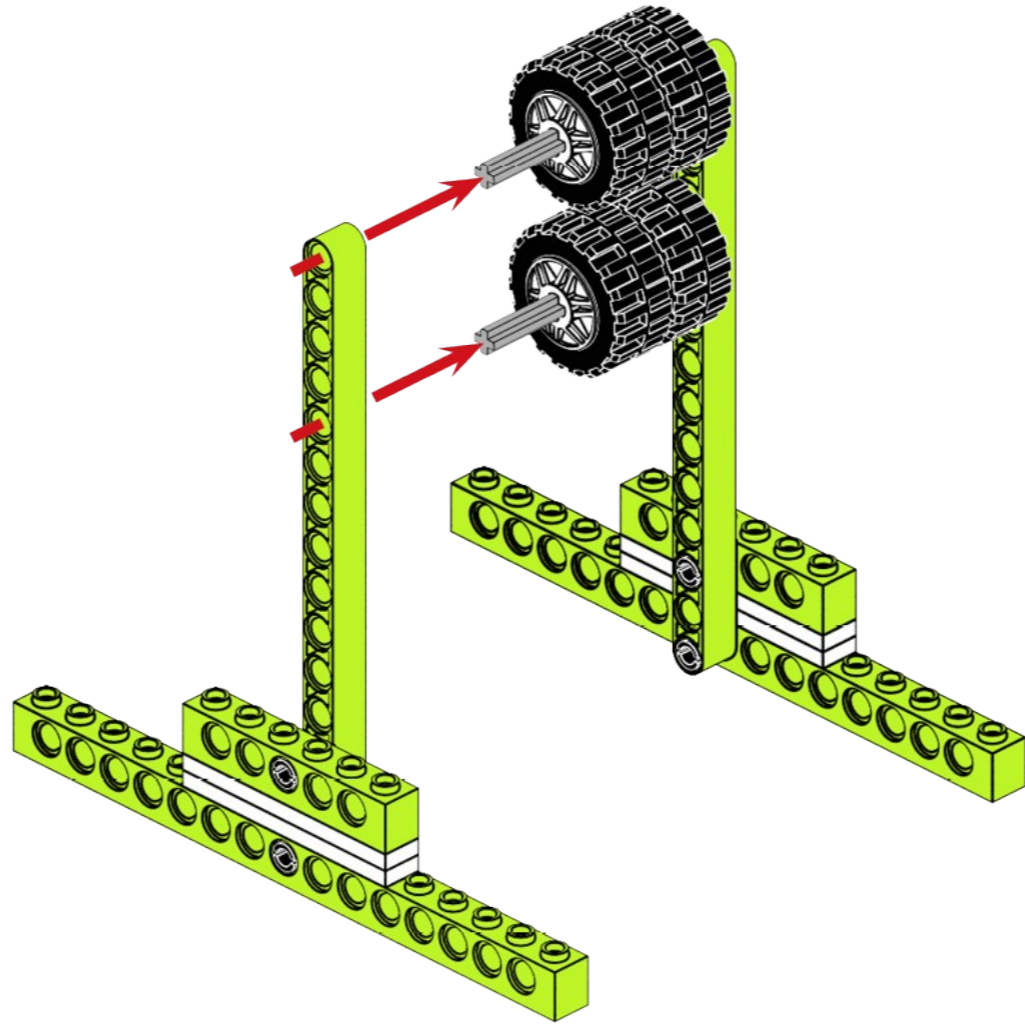


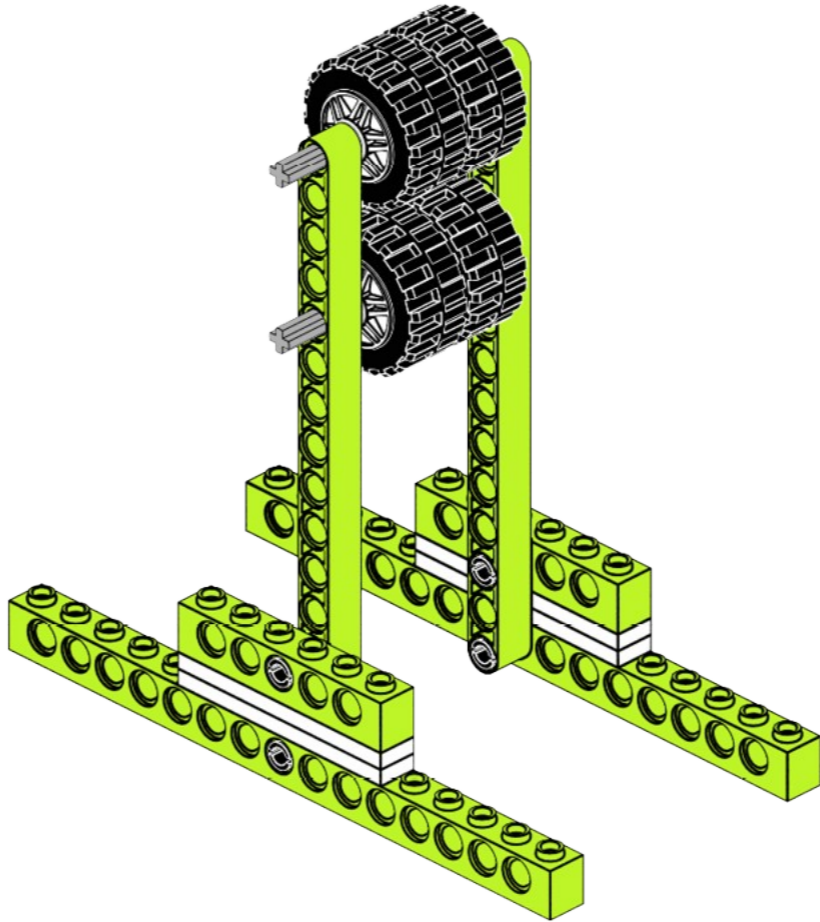


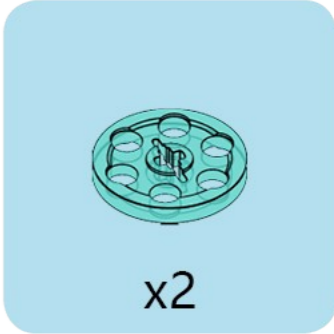
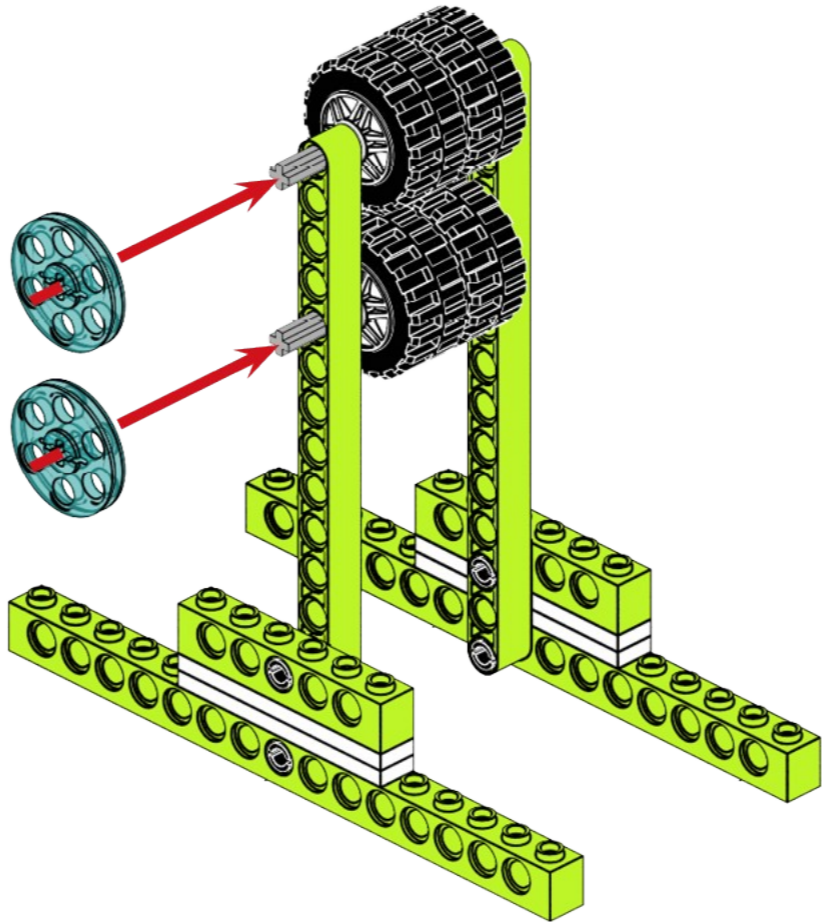


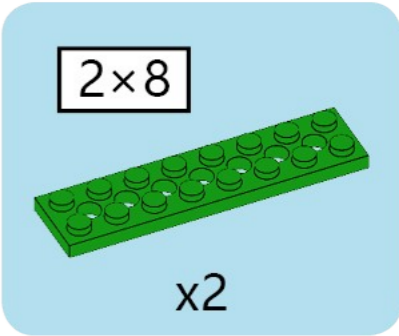
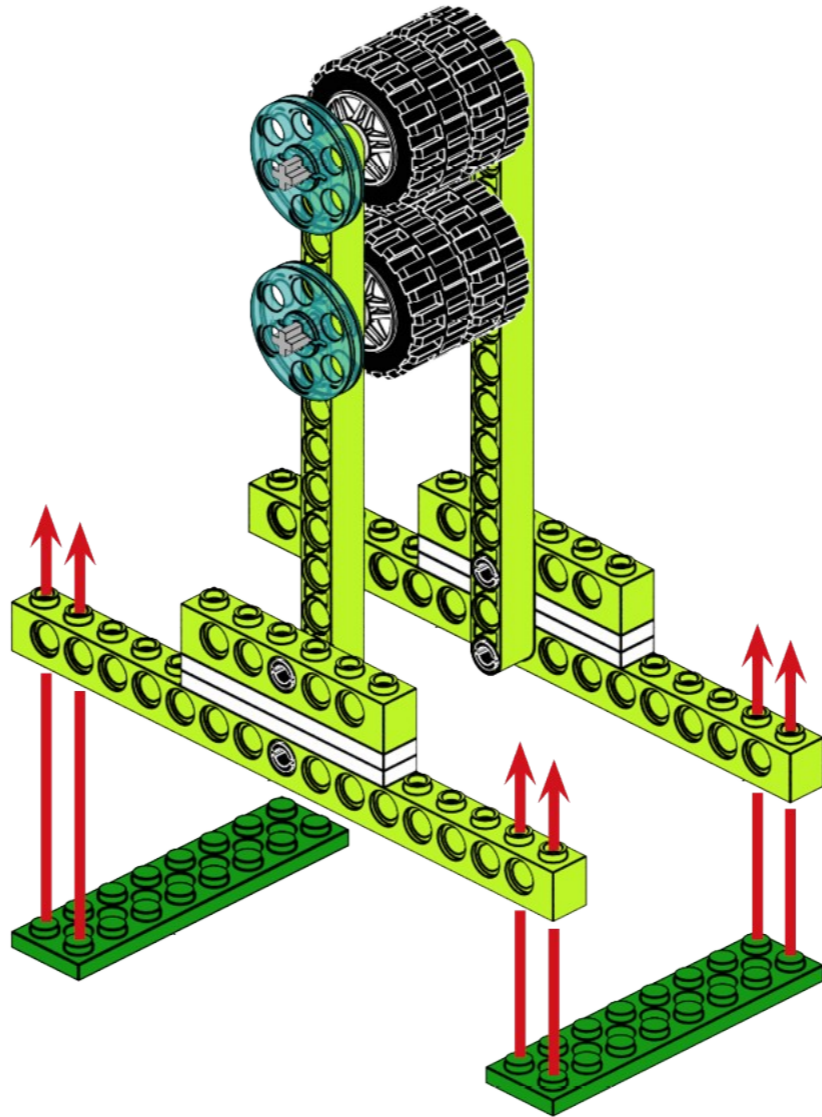


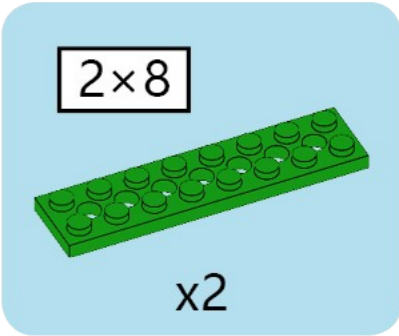
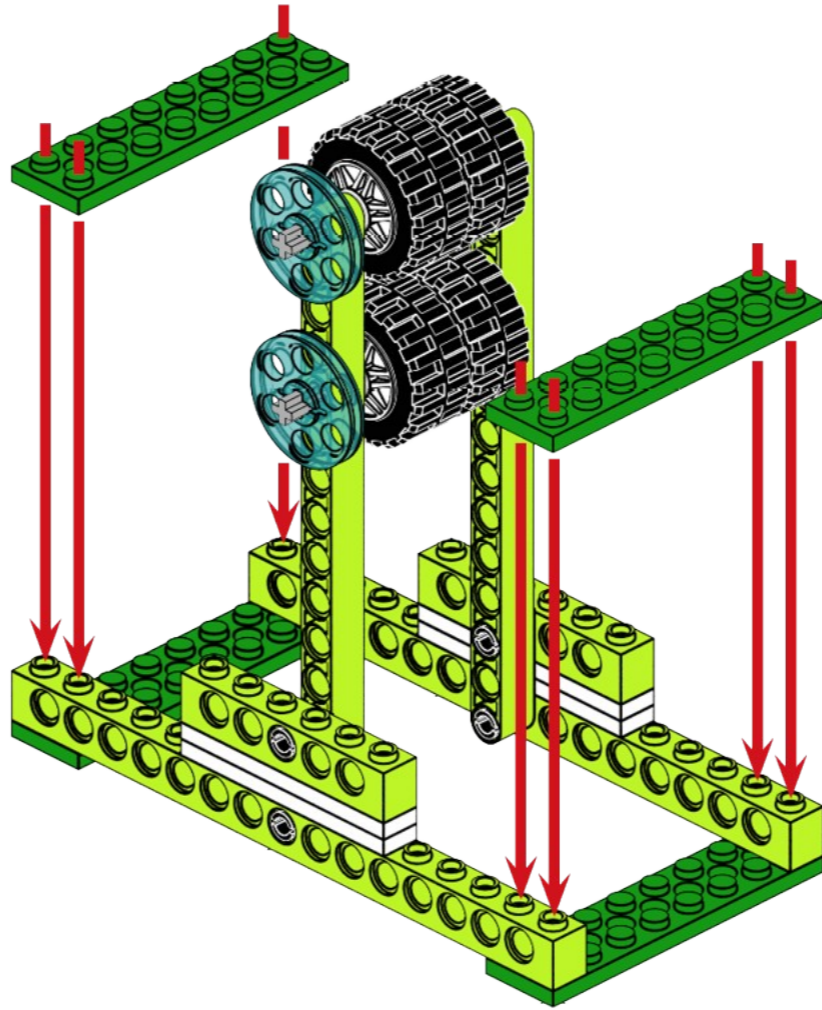


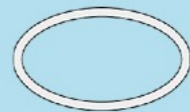
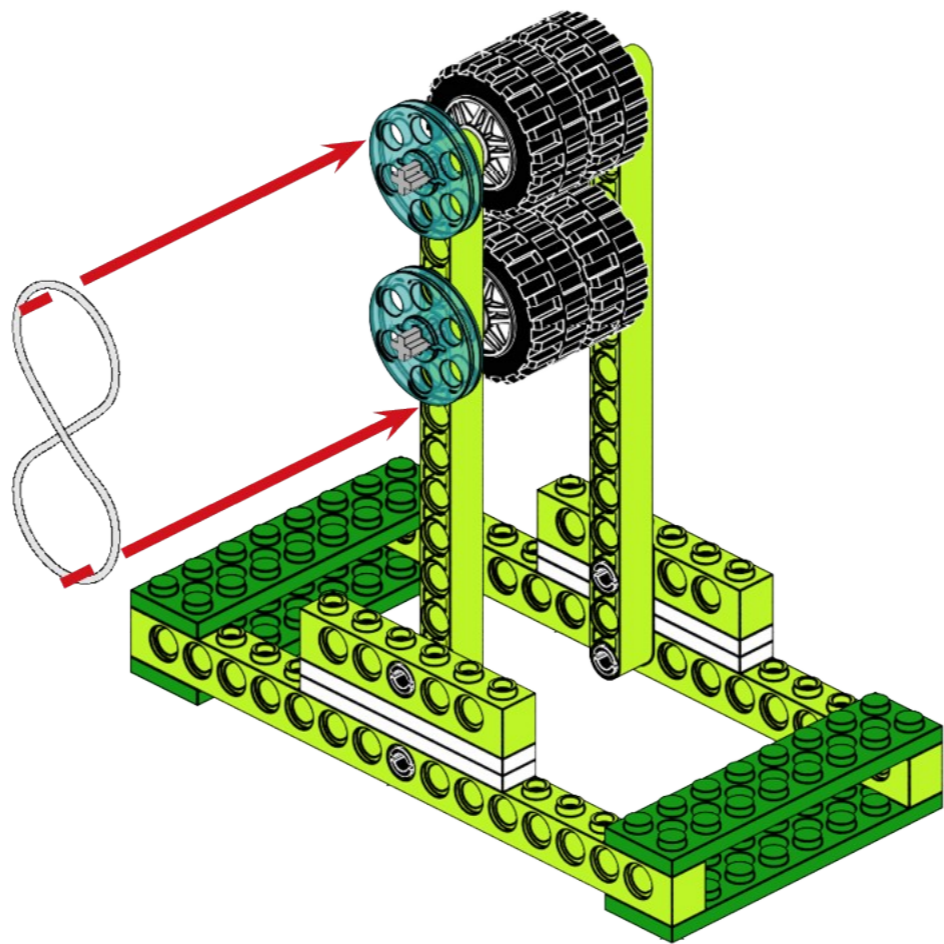




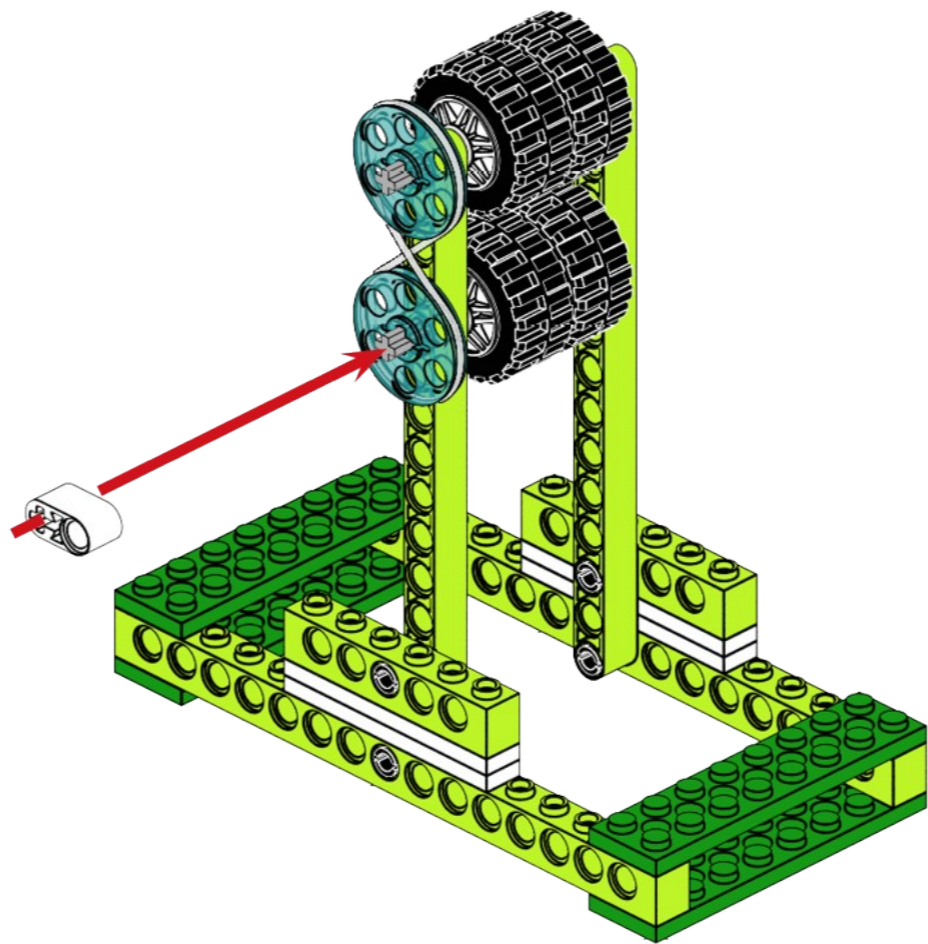




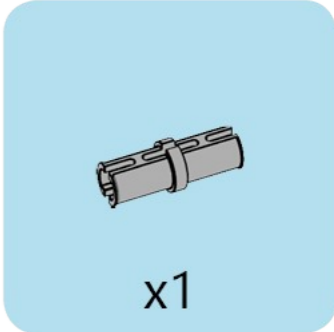
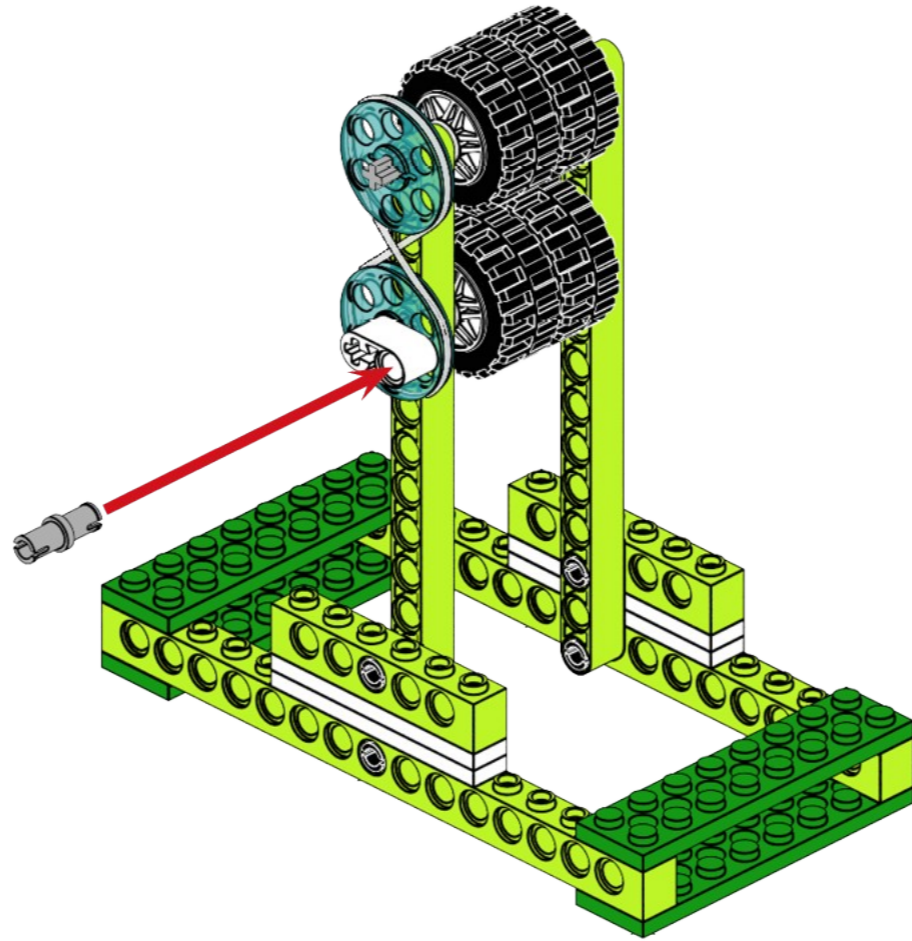


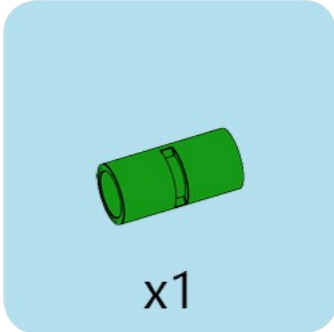
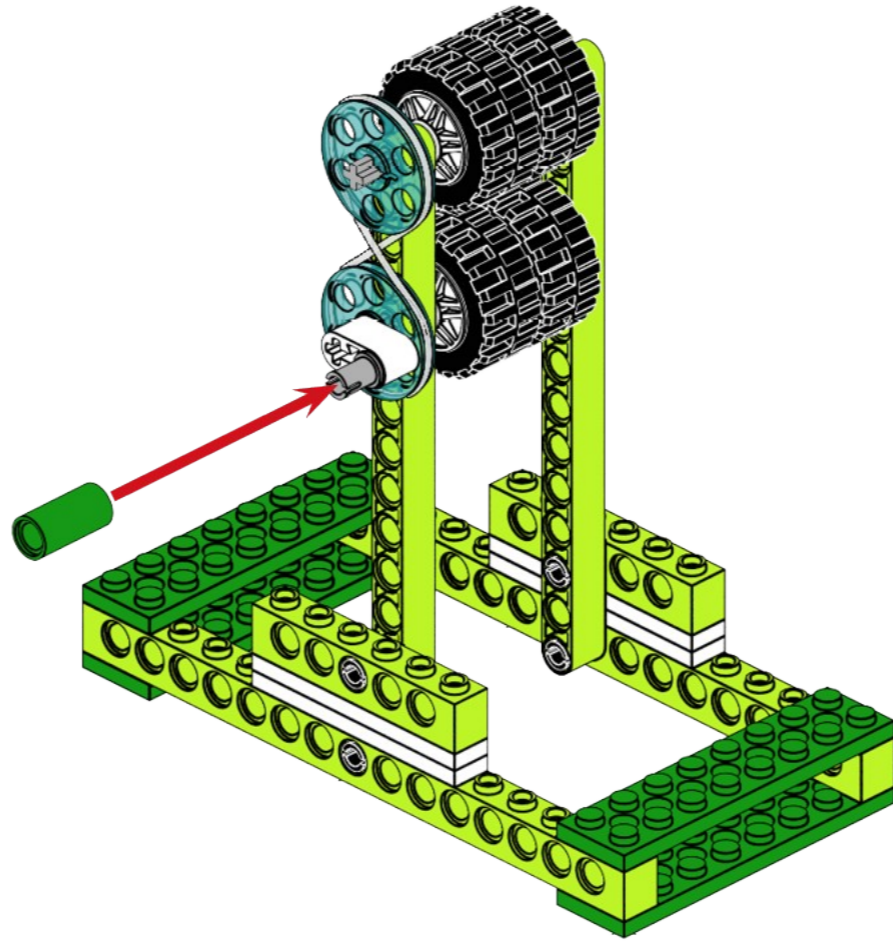


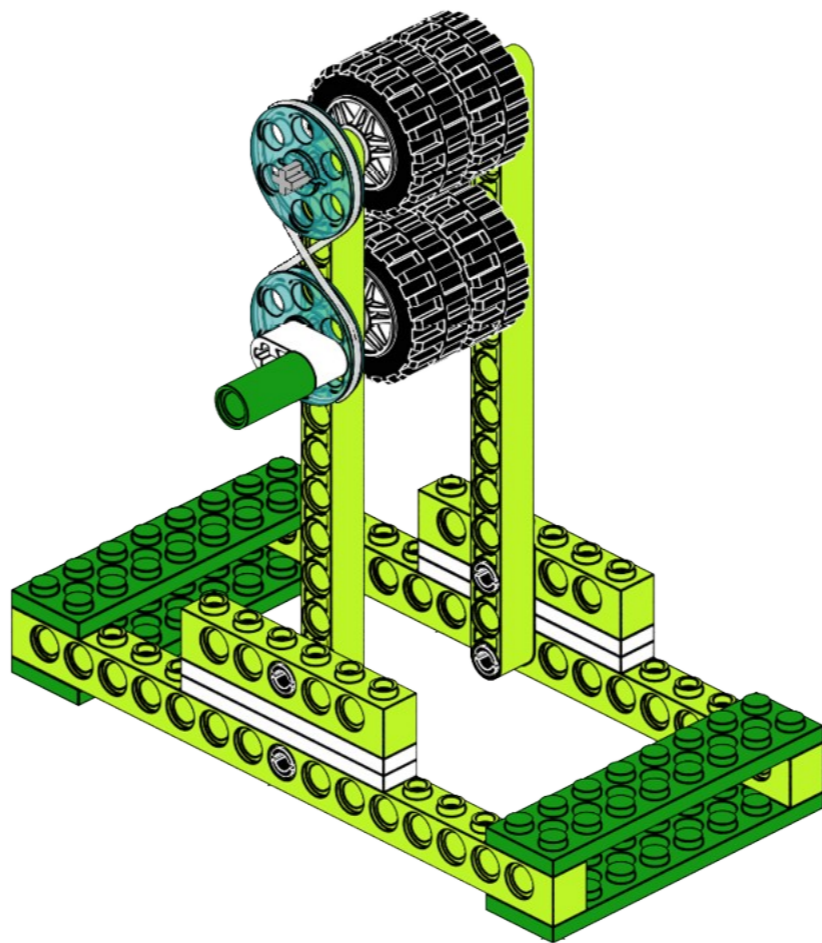
小橡皮筋 x1

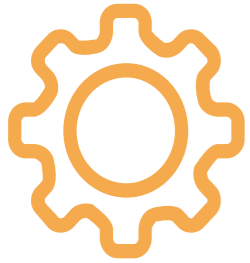


x1

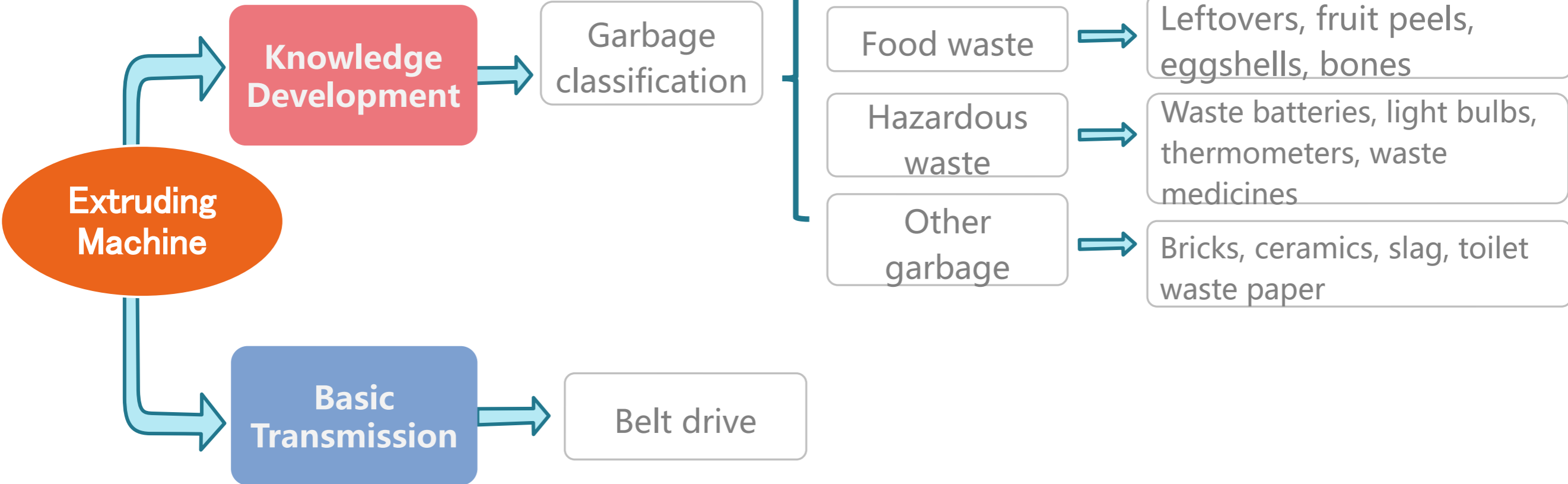


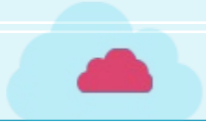




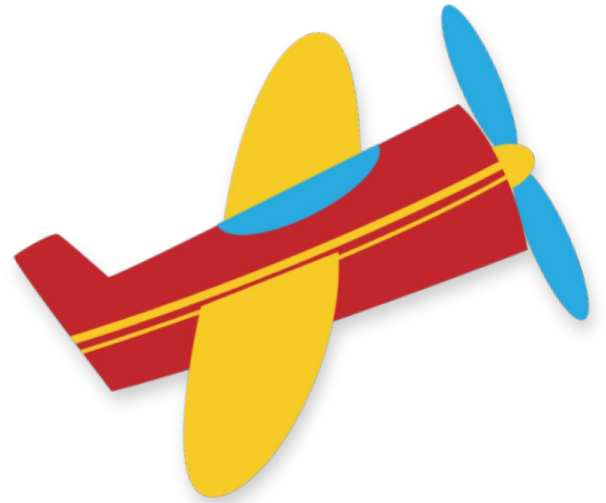


Review





Talk





THANKS

