



Logic

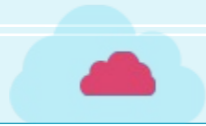
Space



Coding



Focus



Classroom Discipline

01

Please sit down and keep quiet in class.

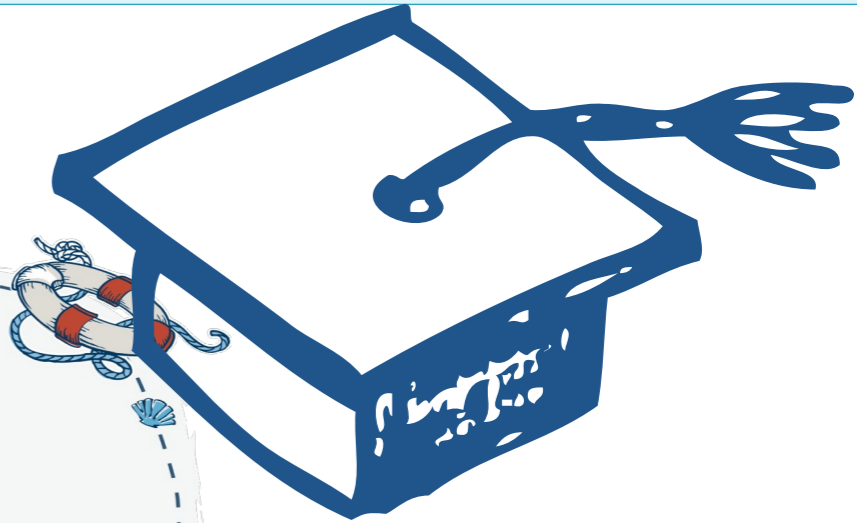
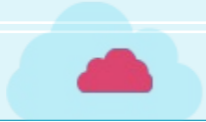
02

Please raise your hand if you have any questions

03

Please observe carefully when the pictures are played.



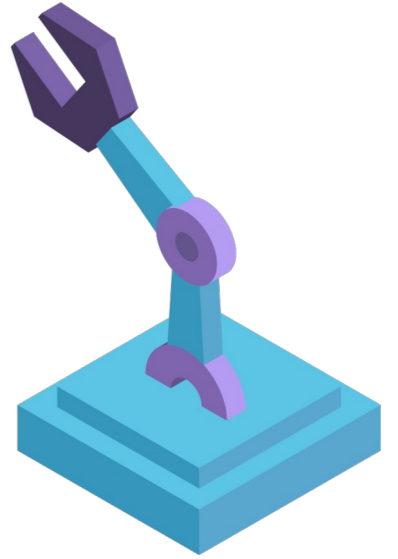


The Hand Fan





Think



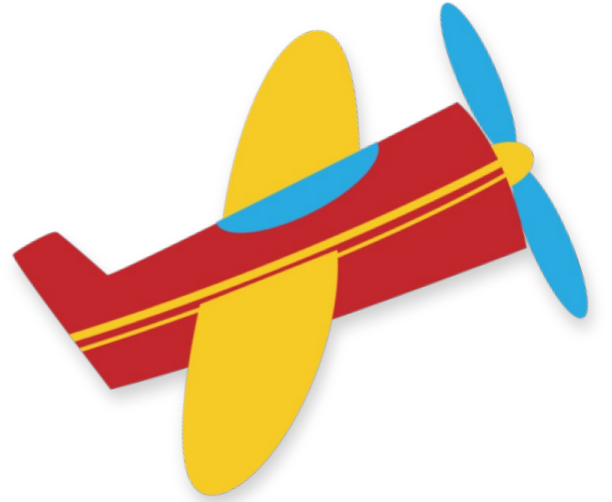
1. What is summer like?

2. Are there any fun activities in the summer?





Explore

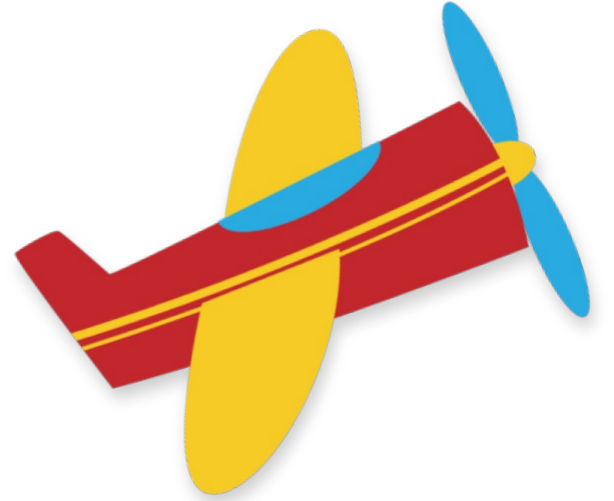


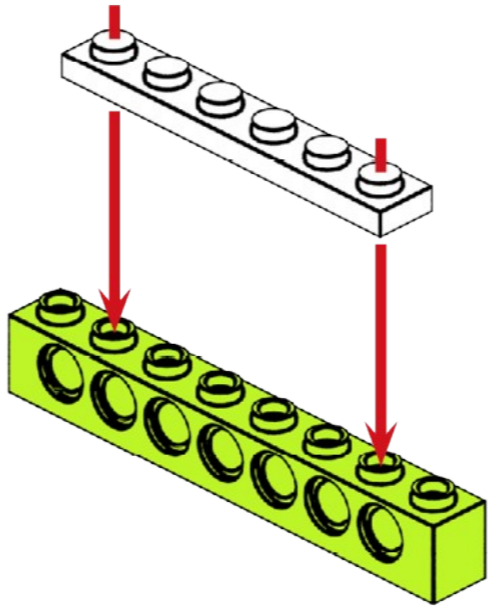
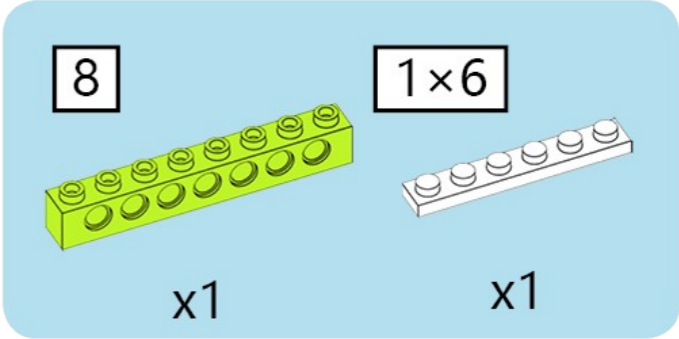
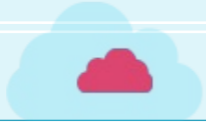
1. Kids, do you know how the wind from a fan is generated?
2. So why does a fan make you feel cool?

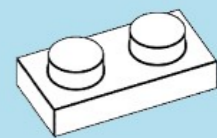




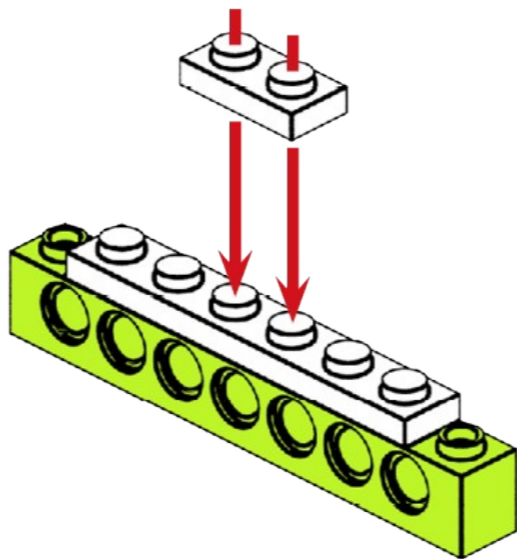
Build

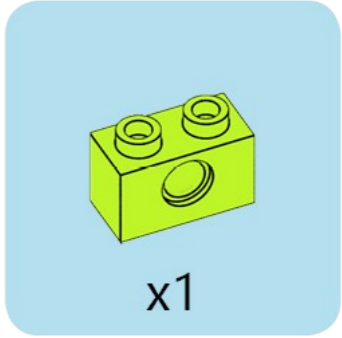
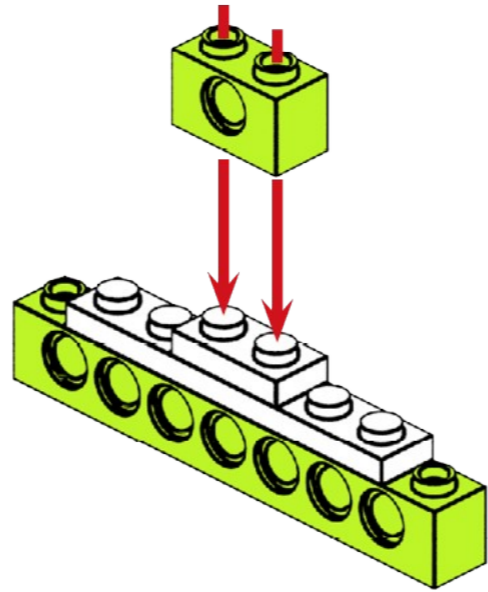


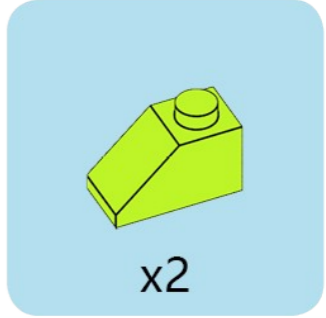
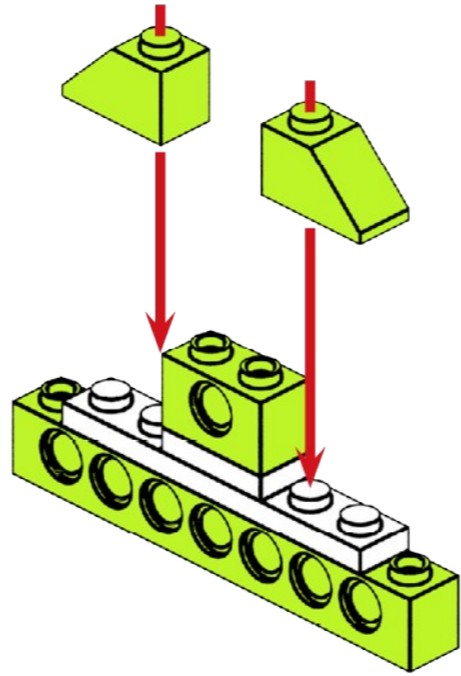
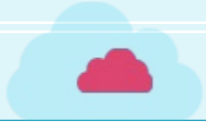


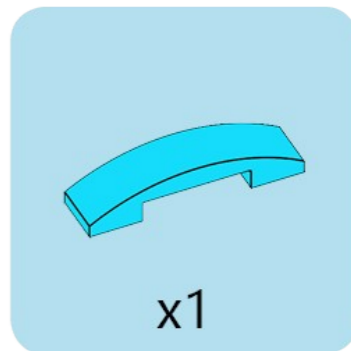
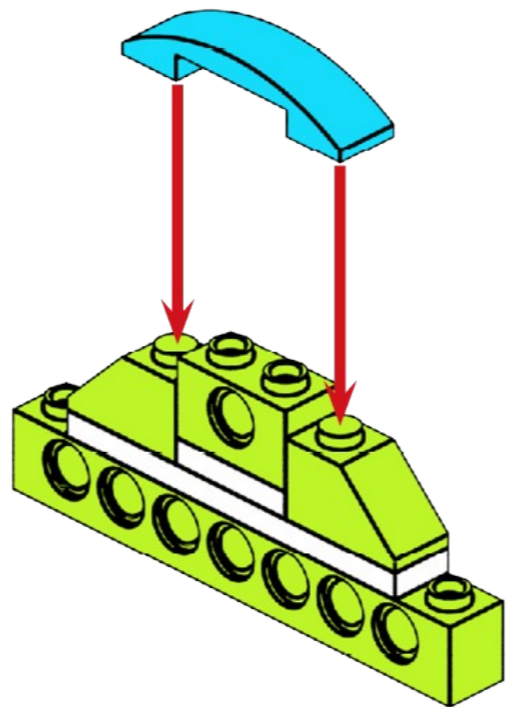


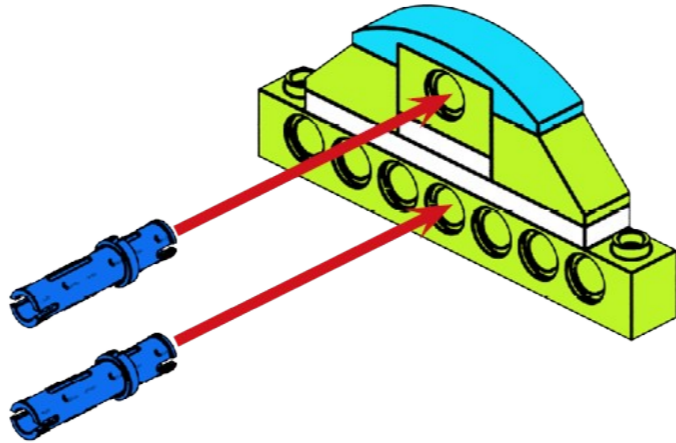
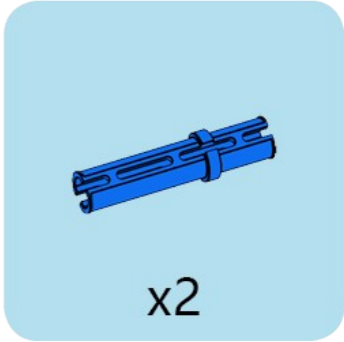
x1

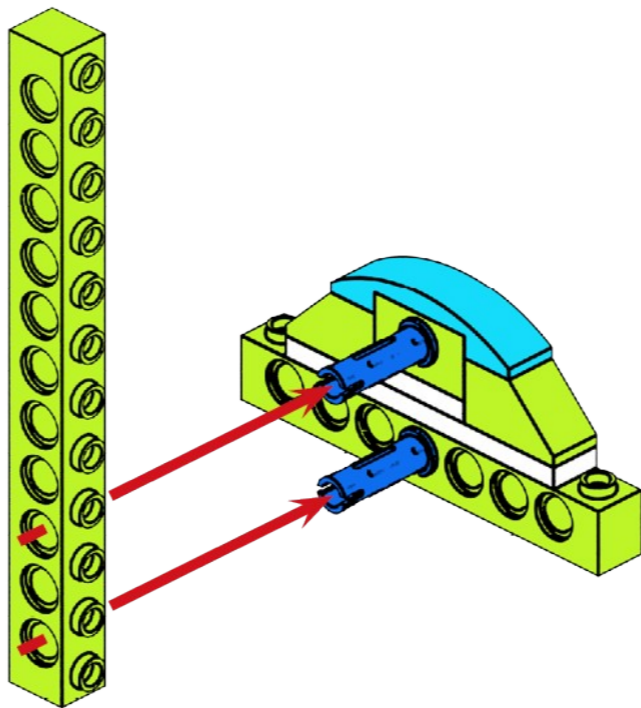
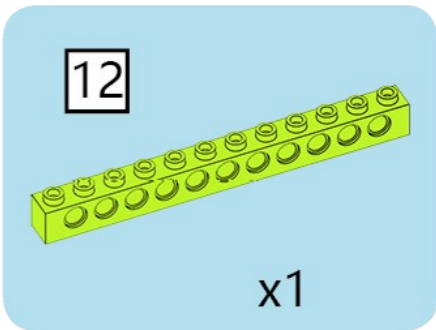


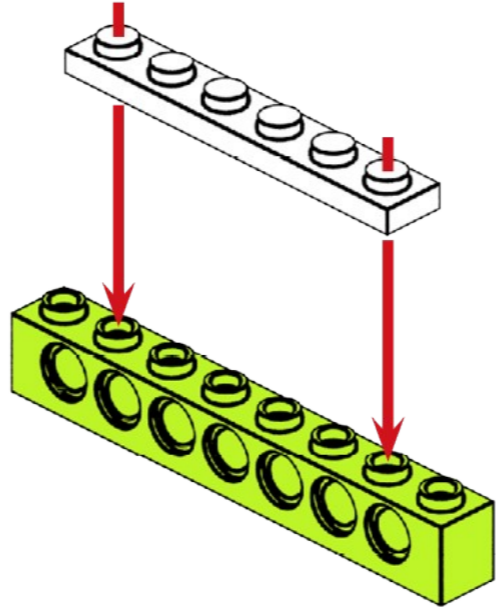
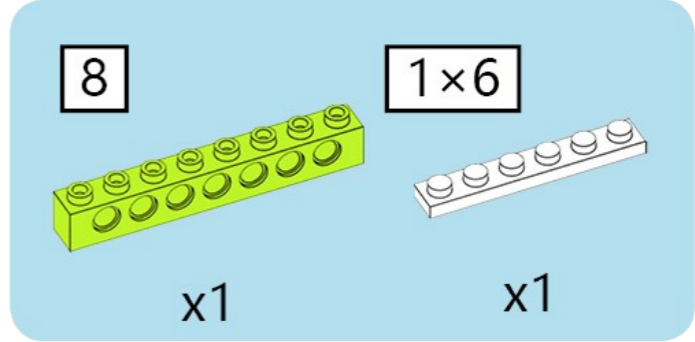
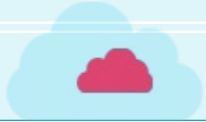


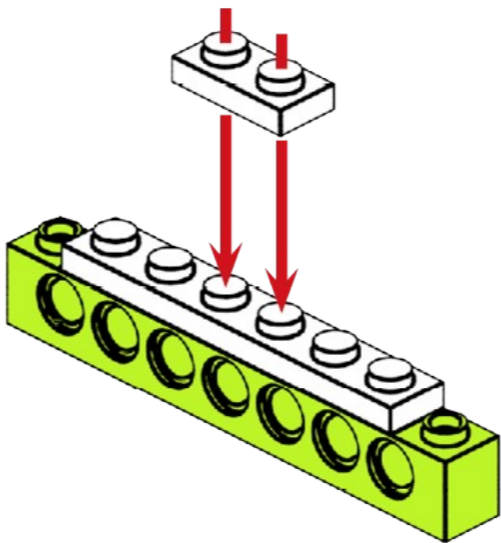
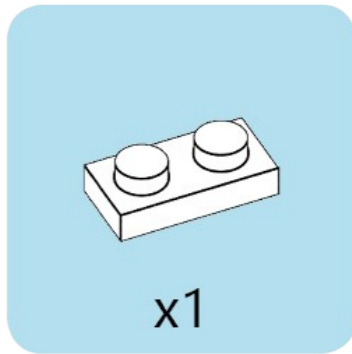


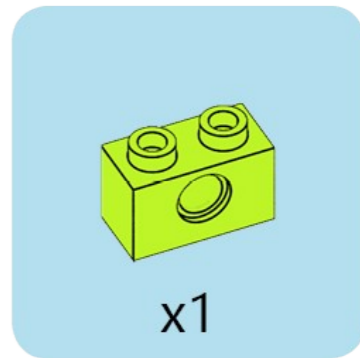
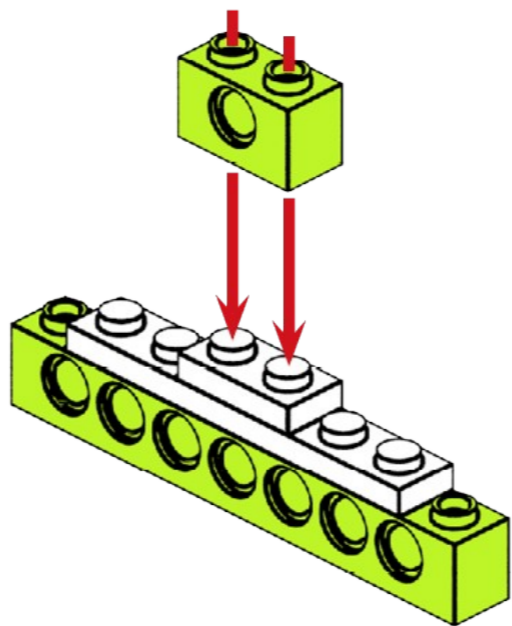


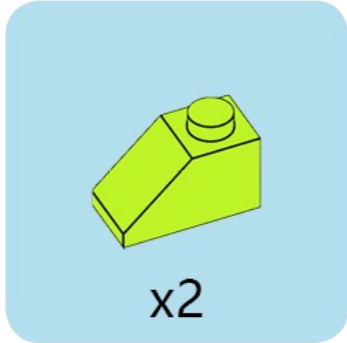
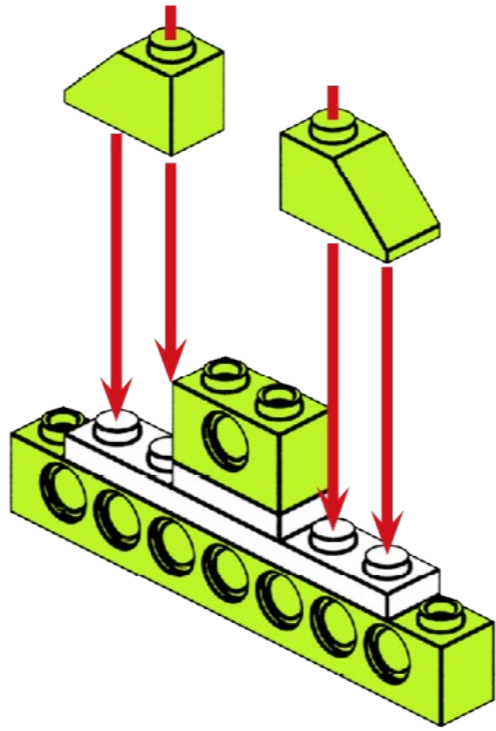
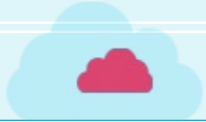


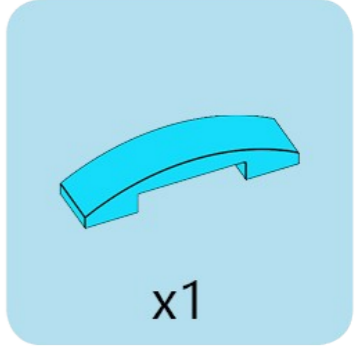
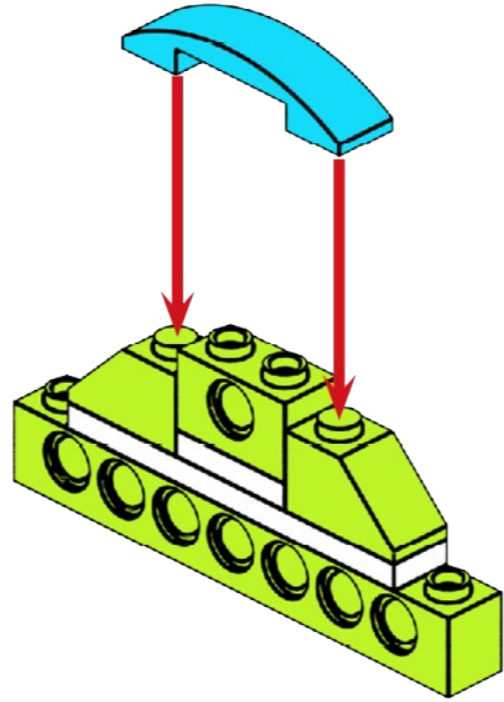


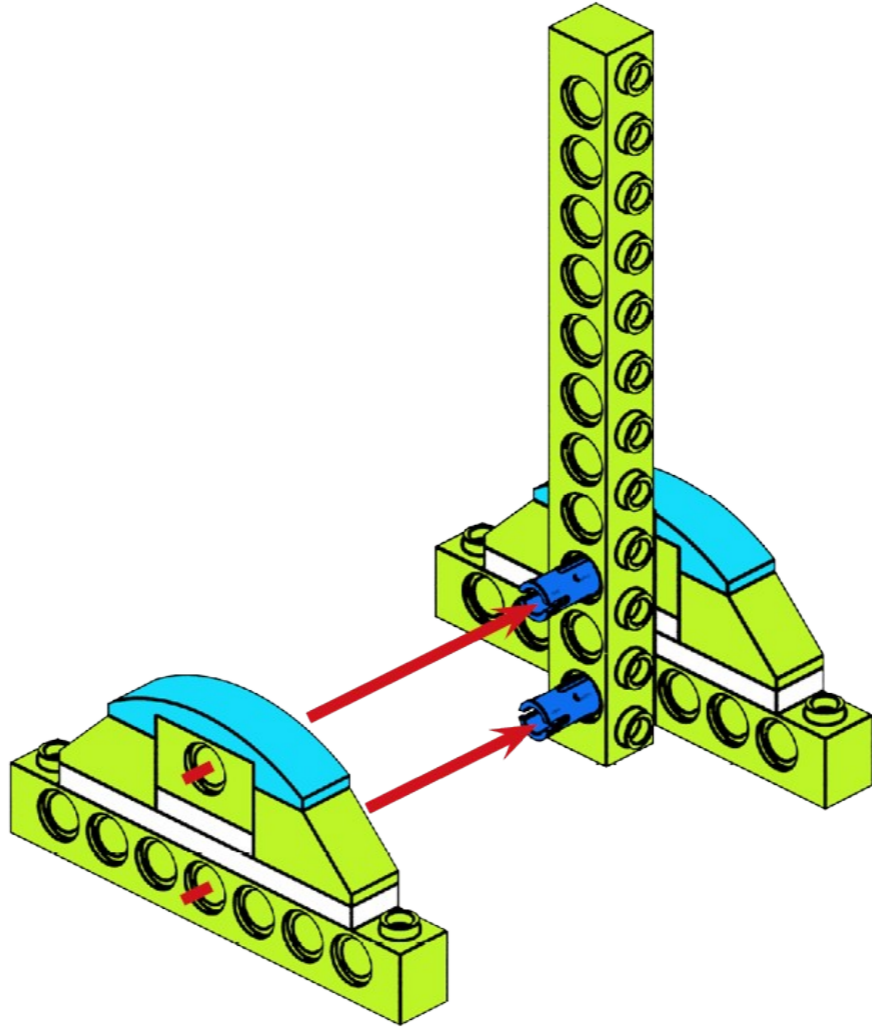


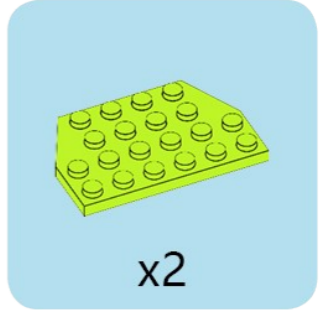
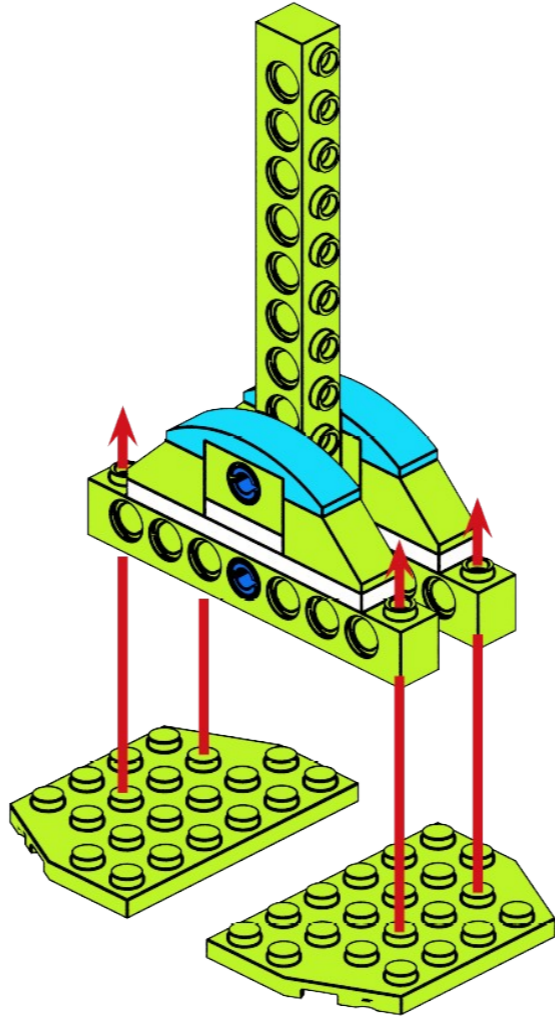


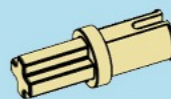
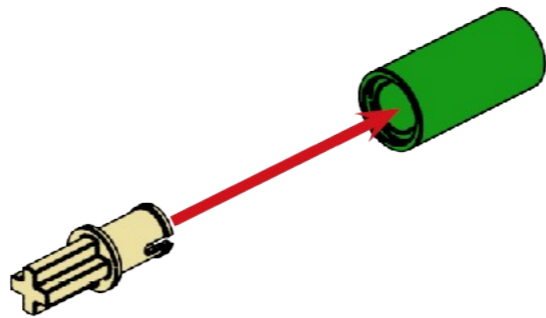




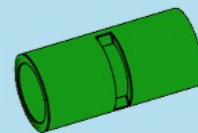




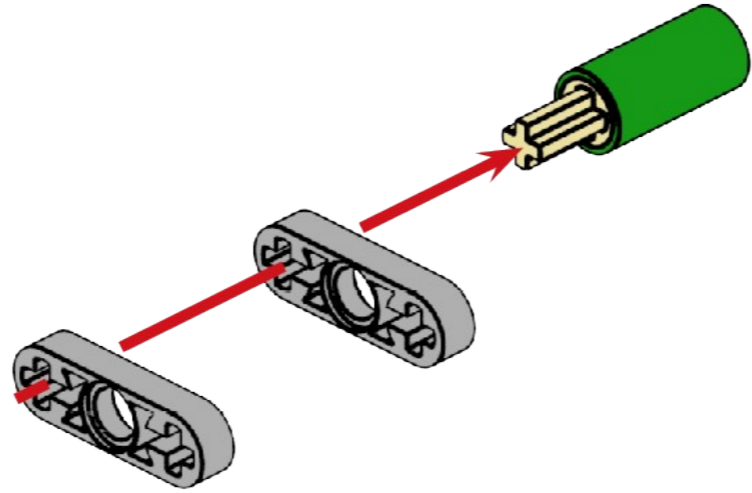
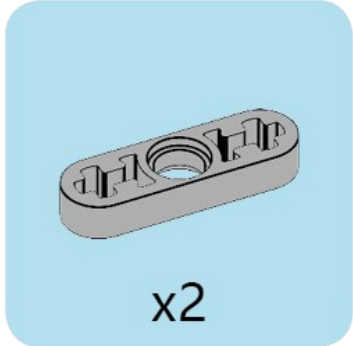


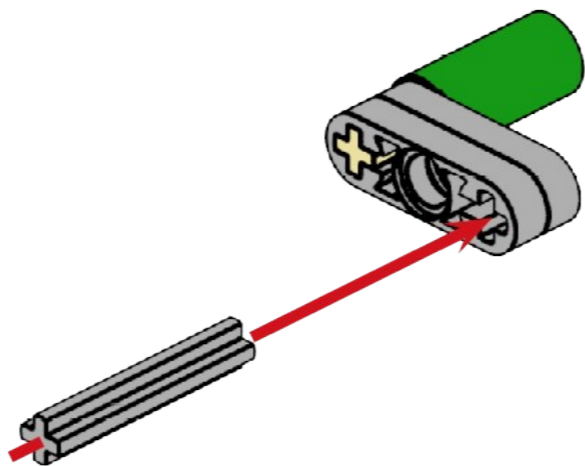
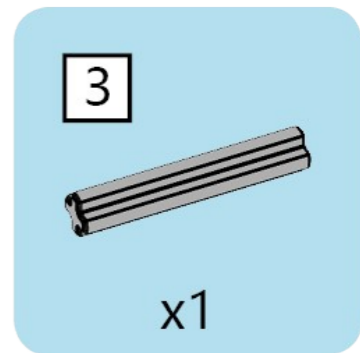


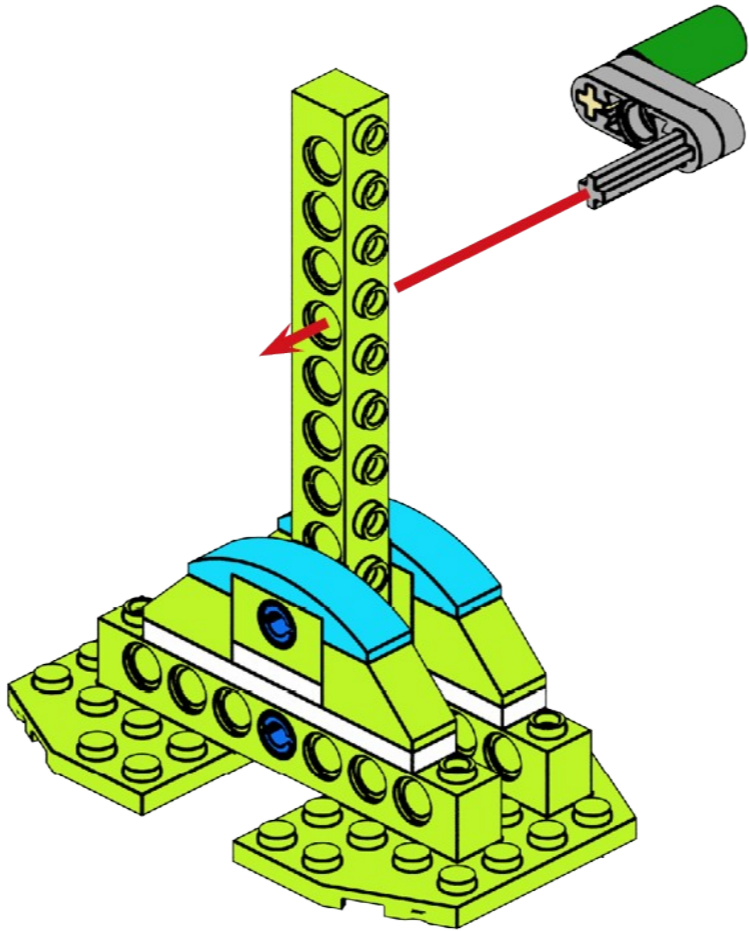
x1

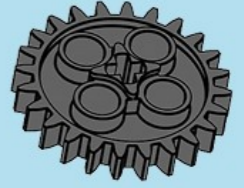
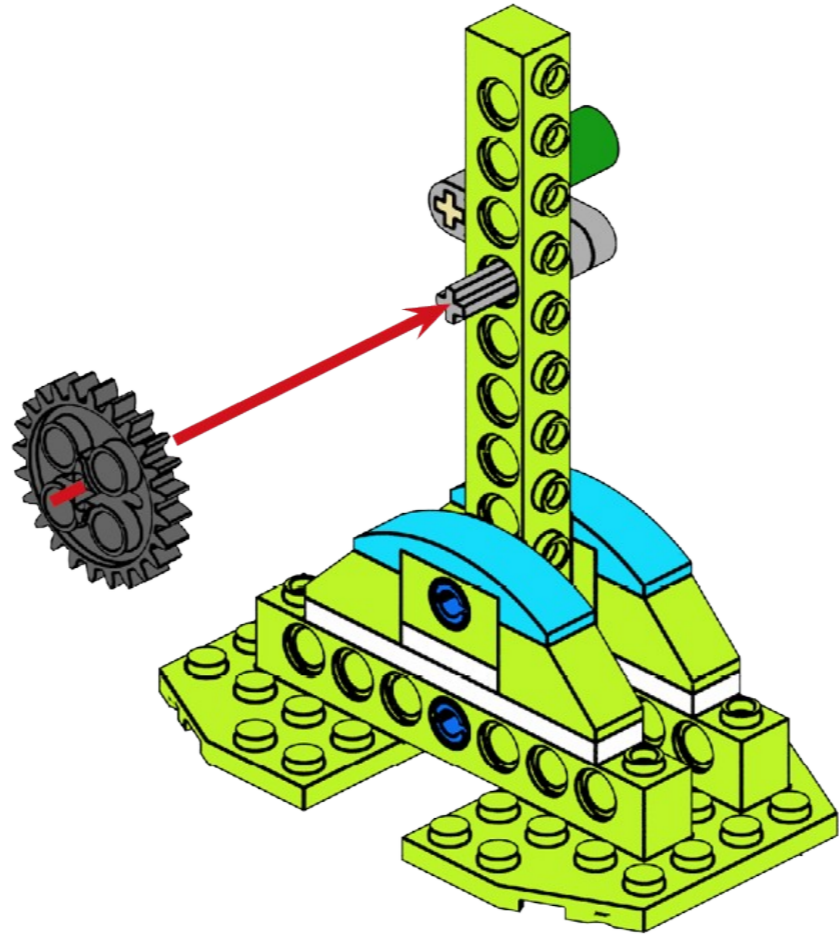
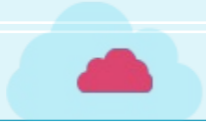


x1

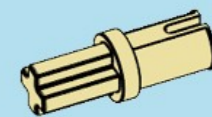
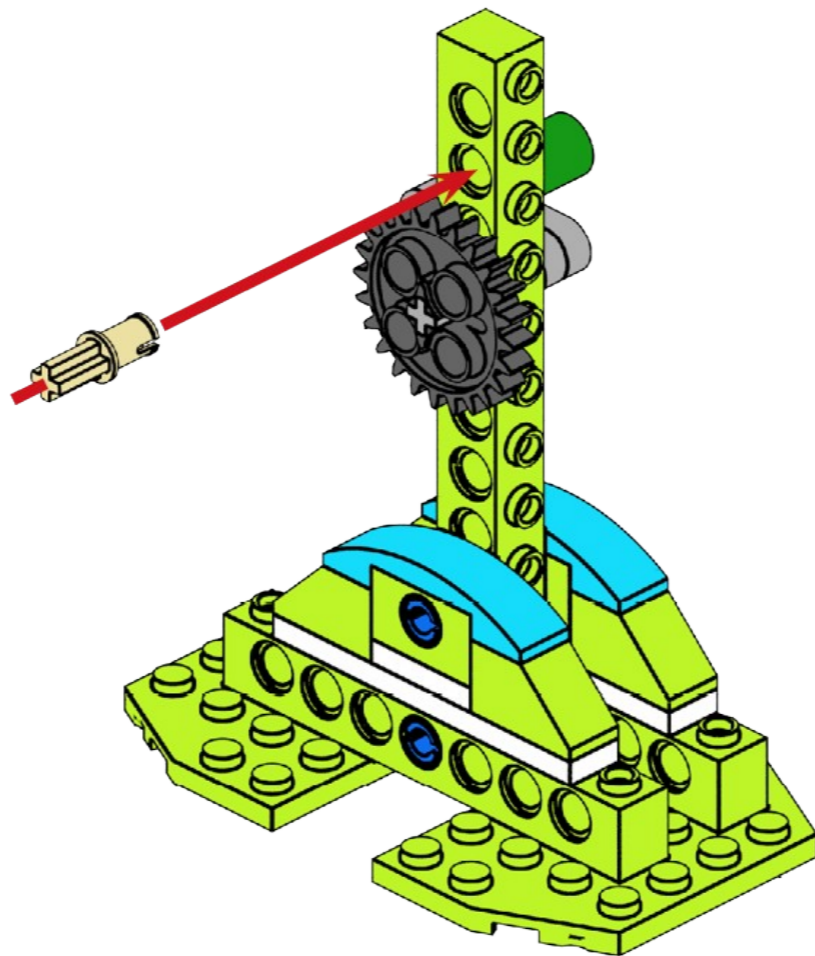




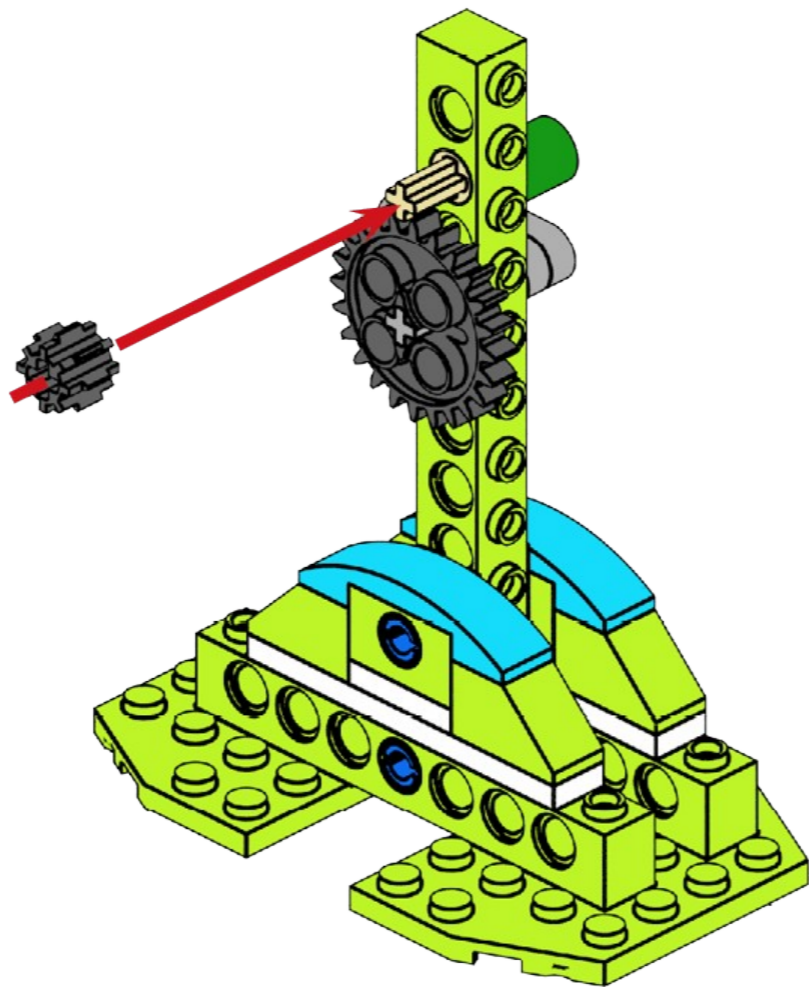




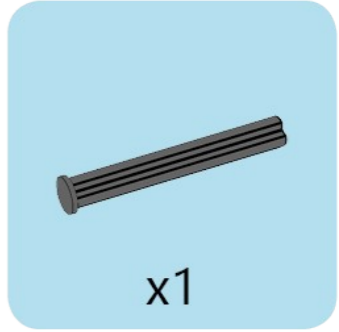
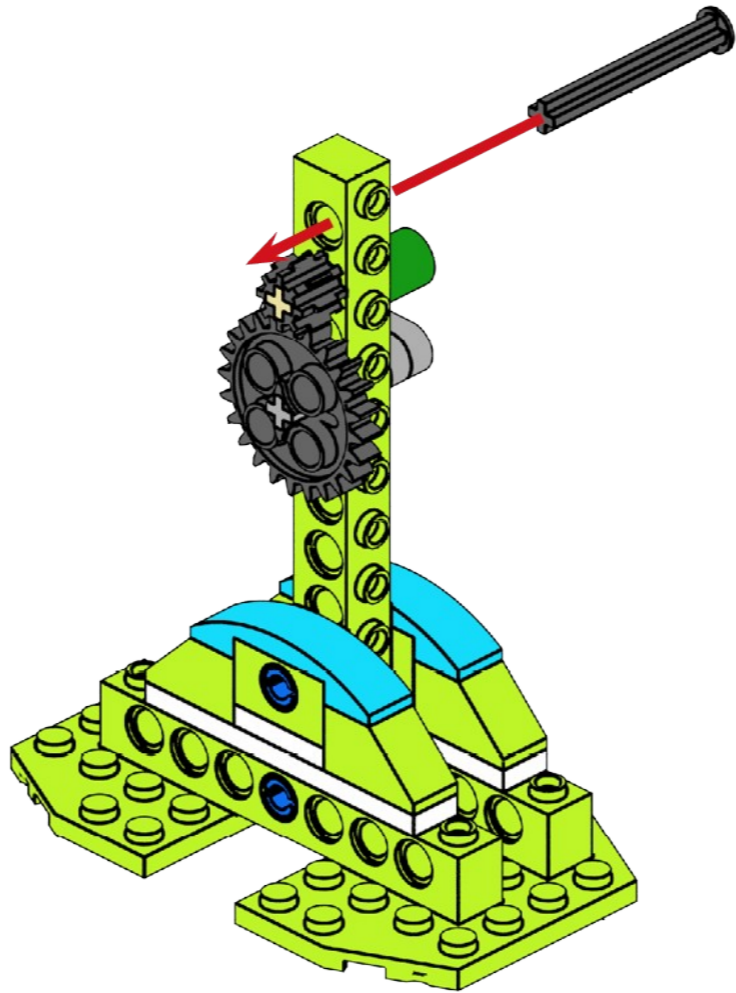
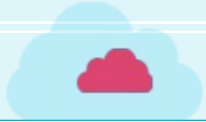
x1

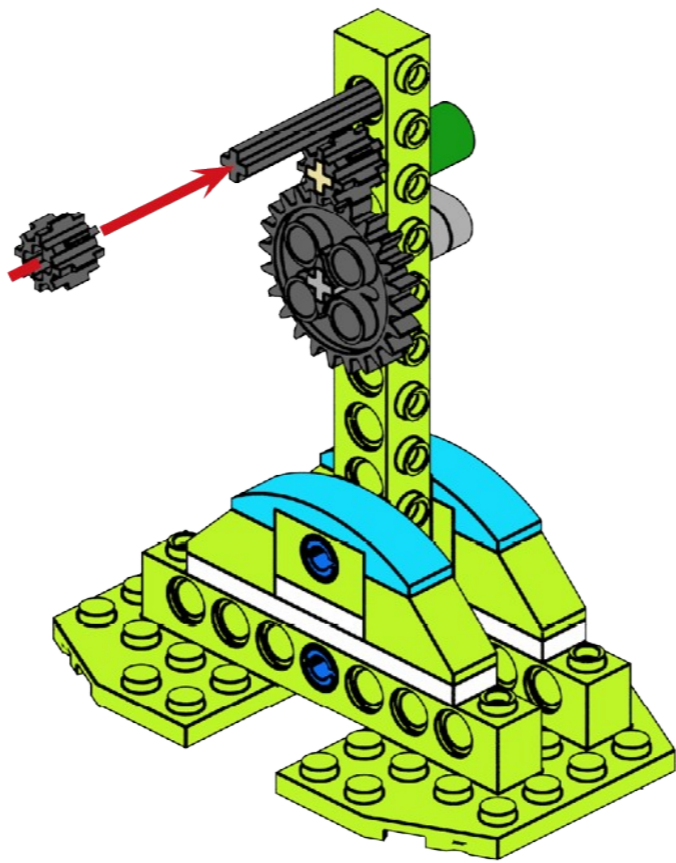


x1

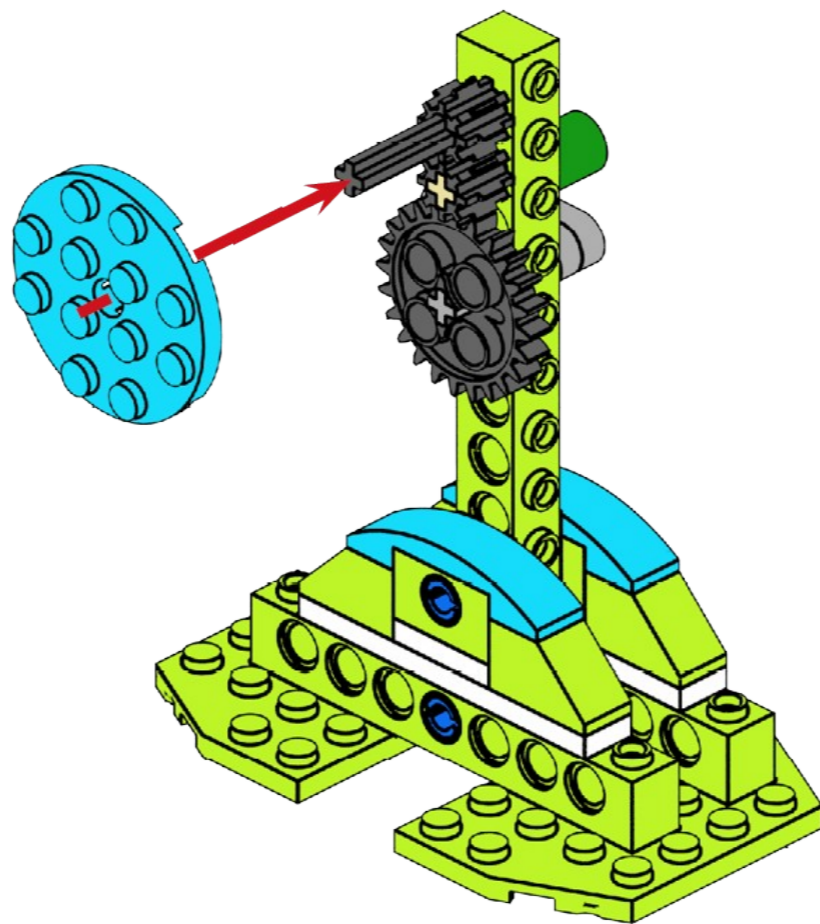


x1





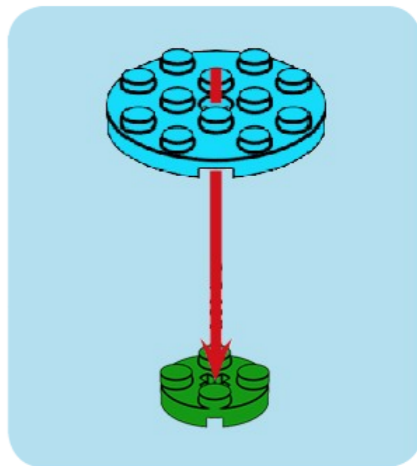
x1

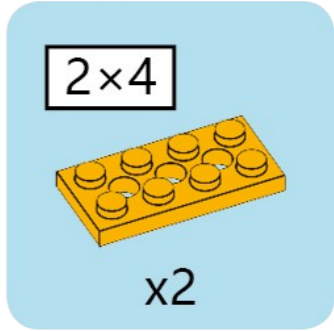
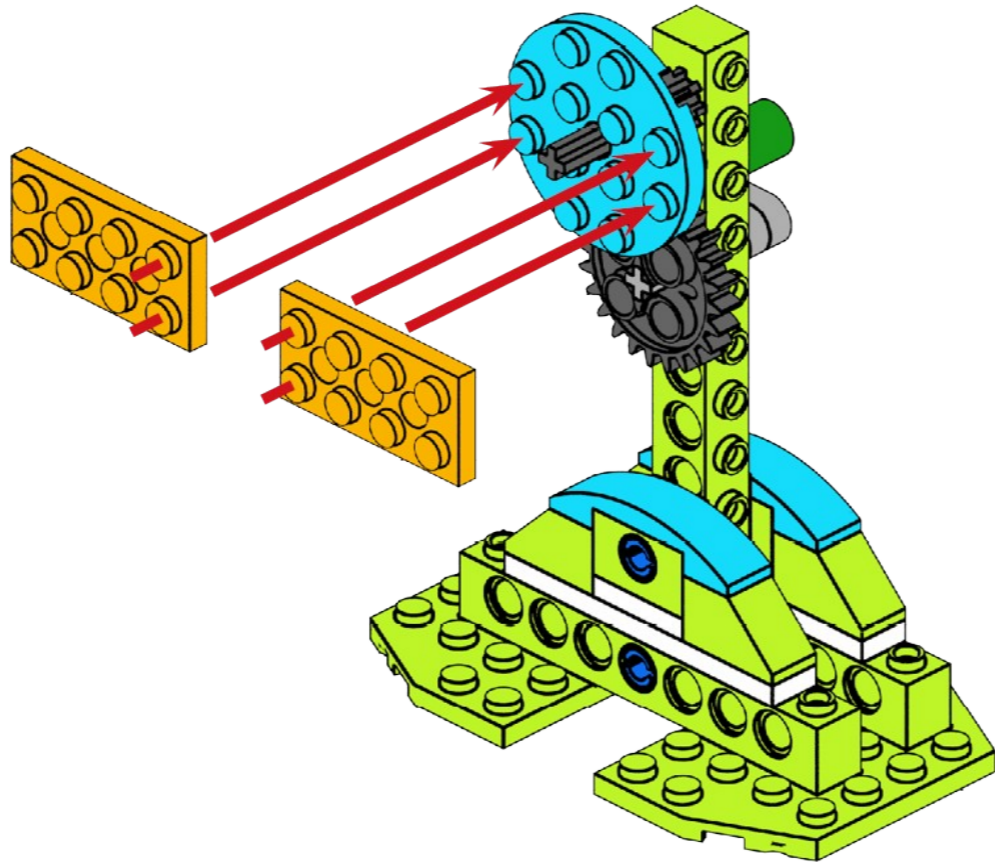
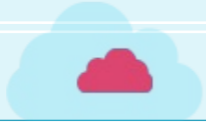


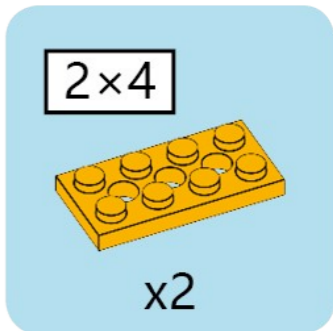
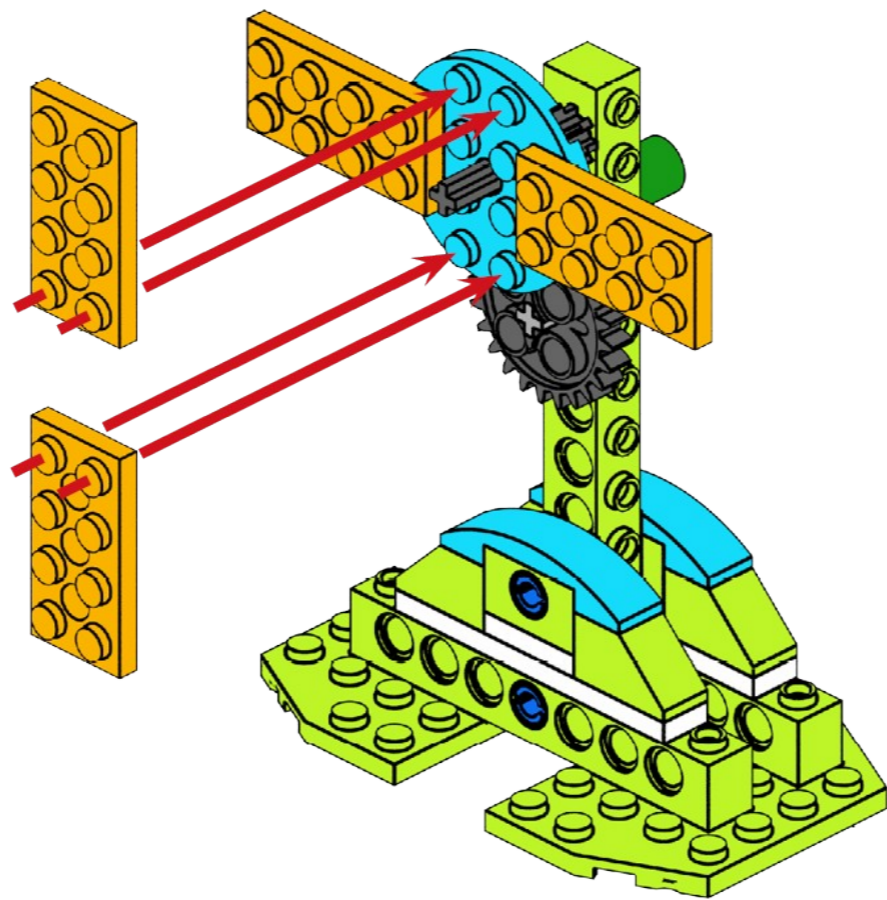
x1

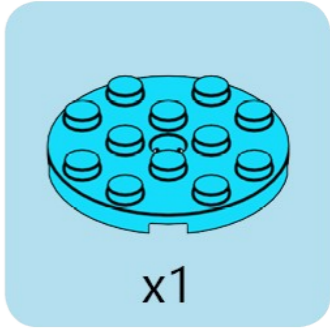
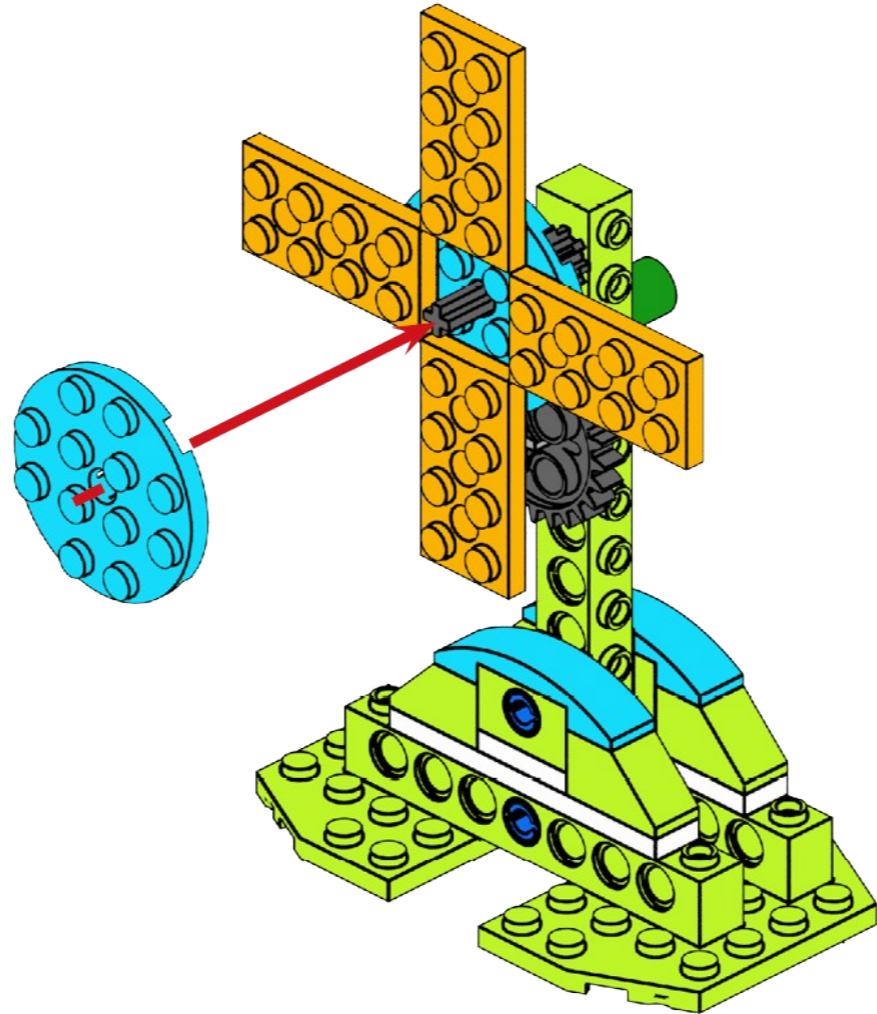
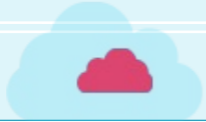


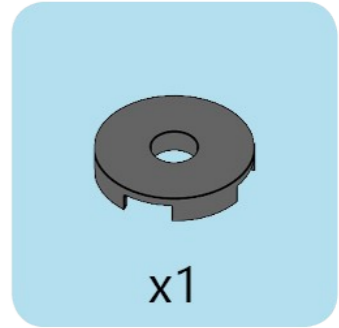
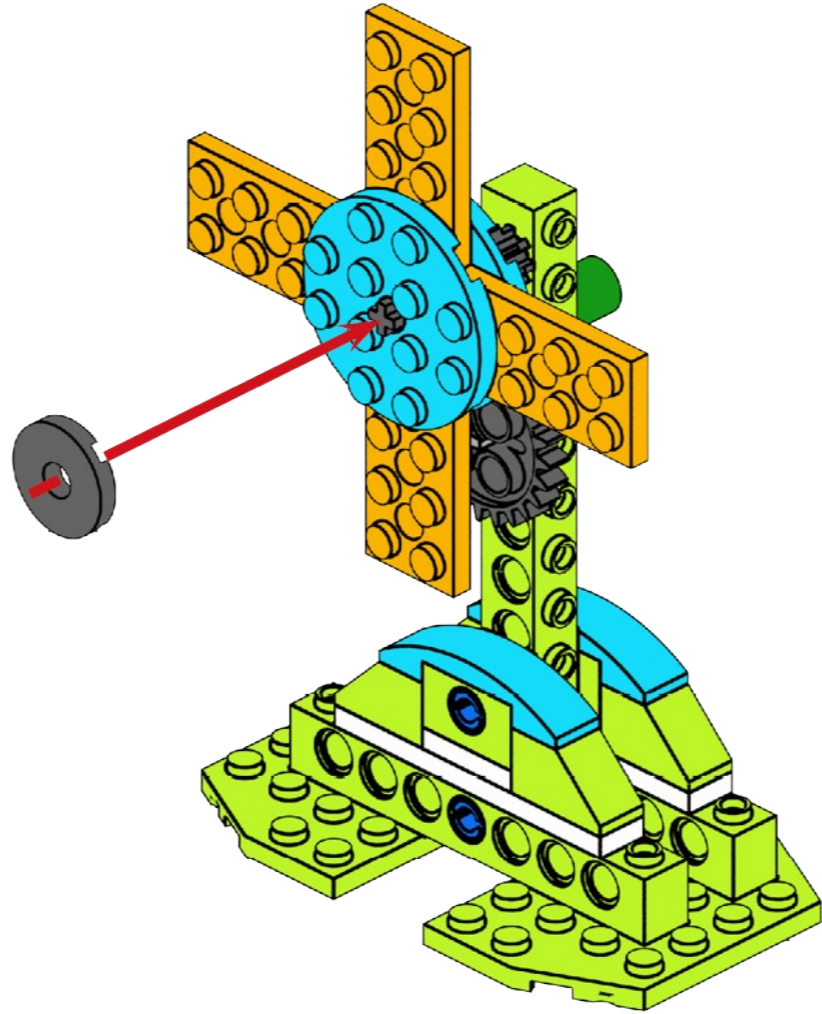
x1

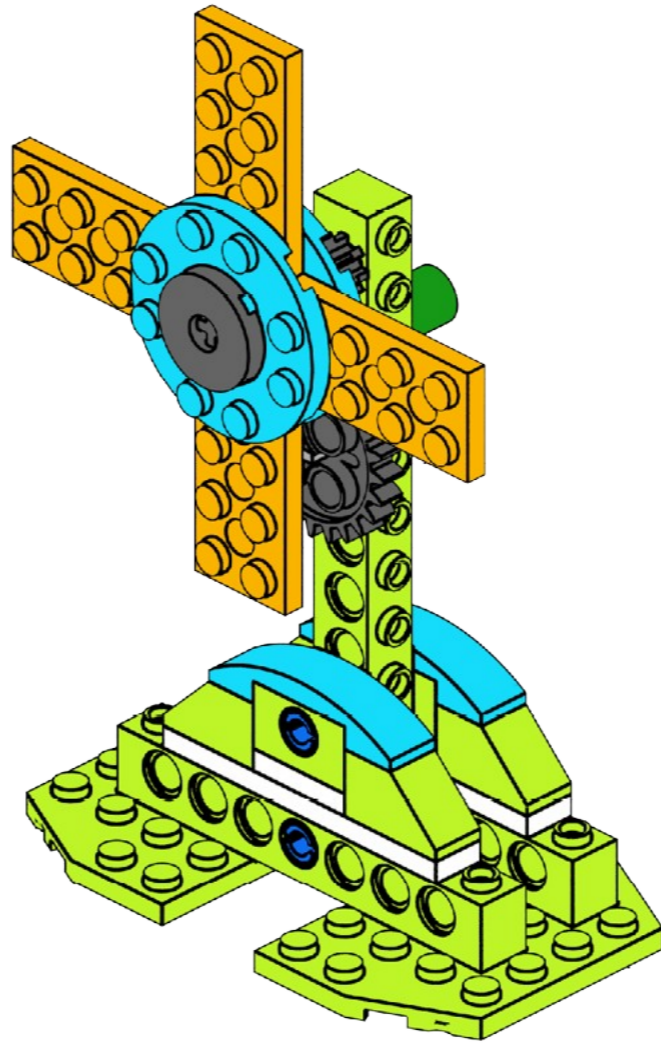














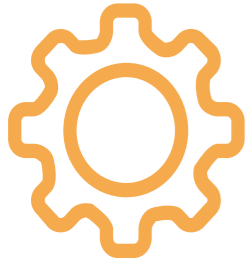
Gear Drive

1. Gear transmission conditions: **mutual engagement**

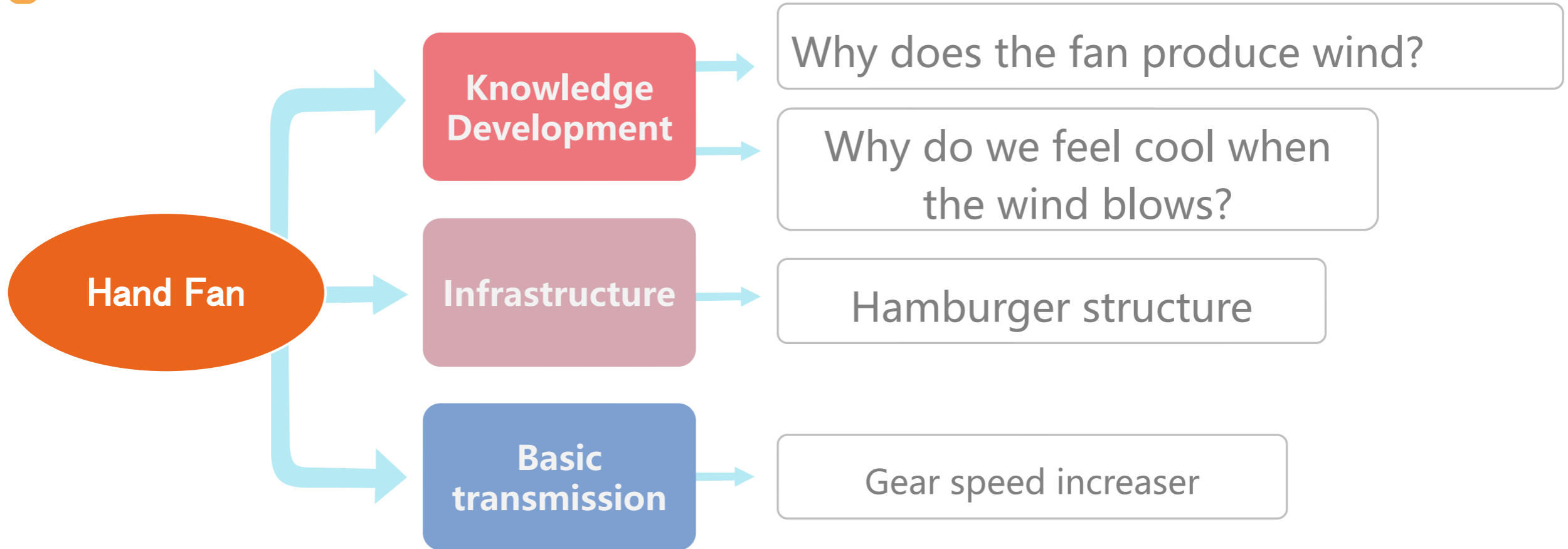
2. Direction: When two gears are driving, the rotation directions of the two gears are **opposite**

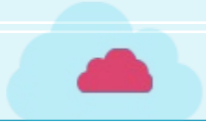
3. Speed: The large gear drives the small gear, **accelerating** the movement. The small gear drives the large gear, **decelerating** the movement.



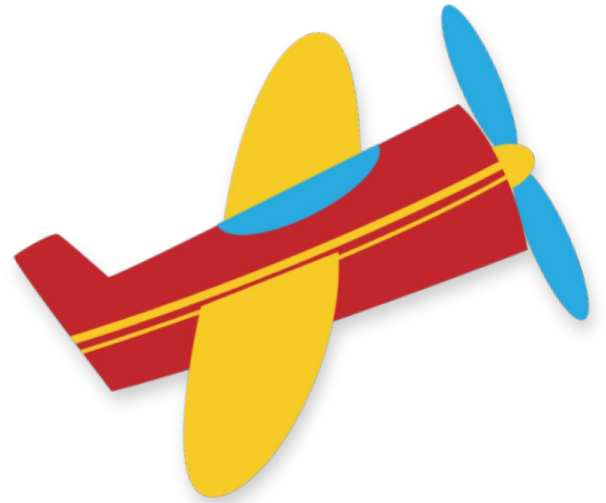


Review





Talk





THANKS

