



Logic

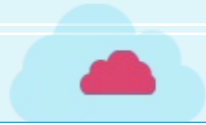
Space



Coding



Focus



Classroom Discipline

01

Please sit down and keep quiet in class.

02

Please raise your hand if you have any questions

03

Please observe carefully when the pictures are played.



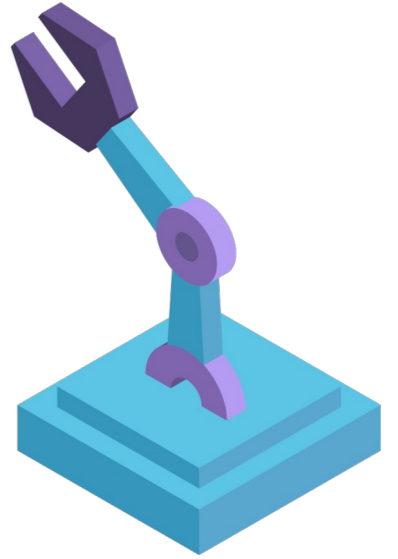


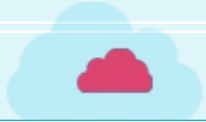
The Crazy Gyros





Think



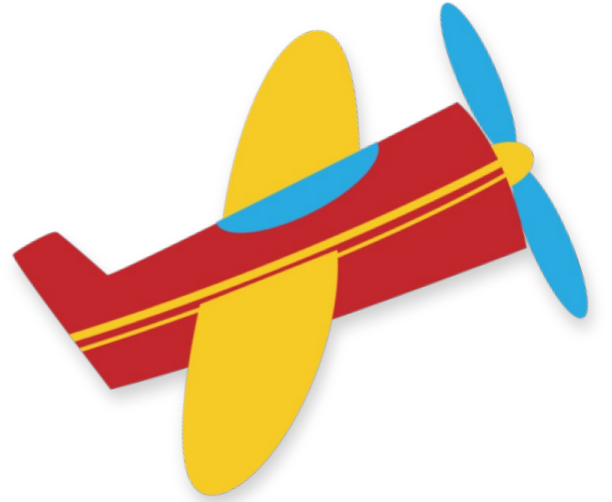


1. Kids, do you know how to play this kind of spinning top?
2. Have you seen any other interesting spinning tops?





Explore

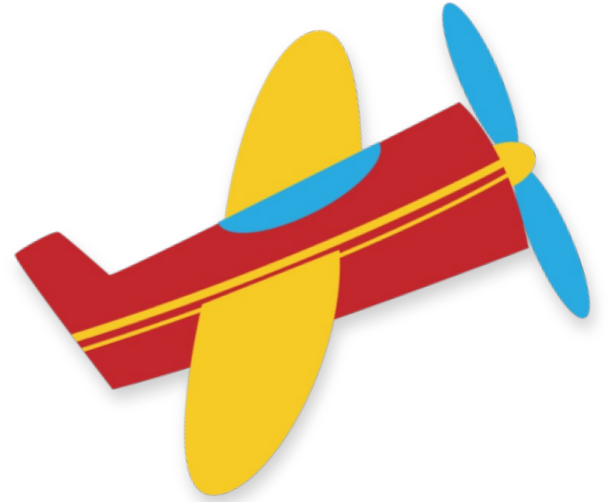


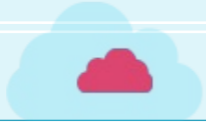
1. Have you ever seen this kind of spinning top?



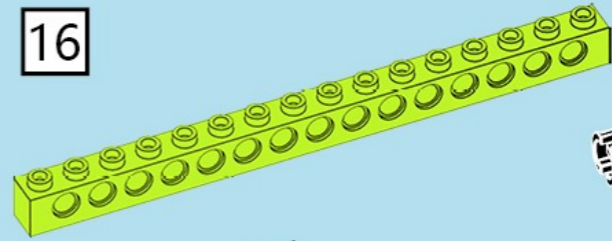


Build





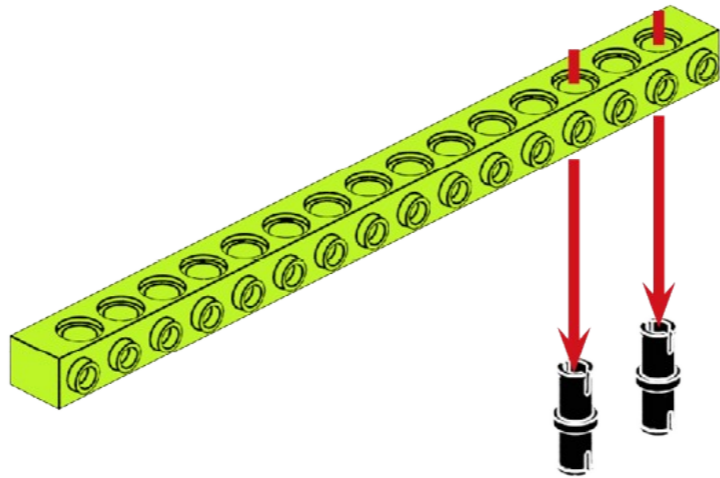
16



x1

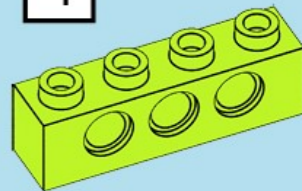


x2

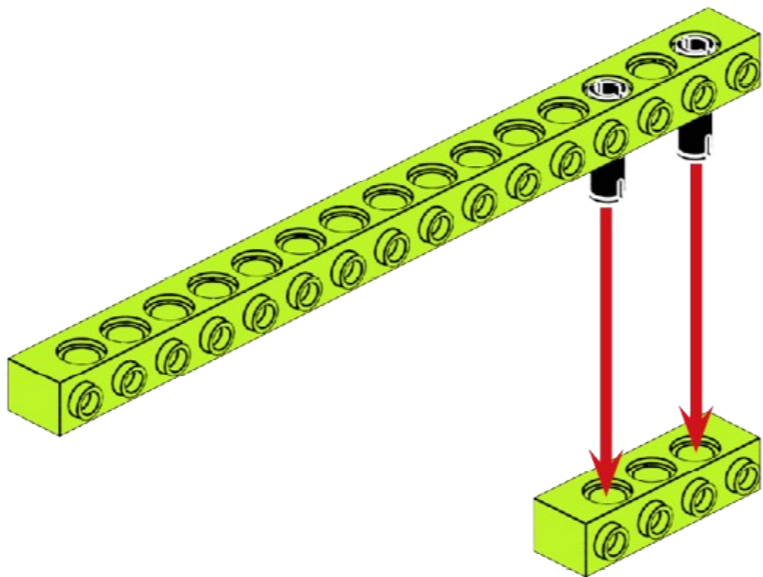


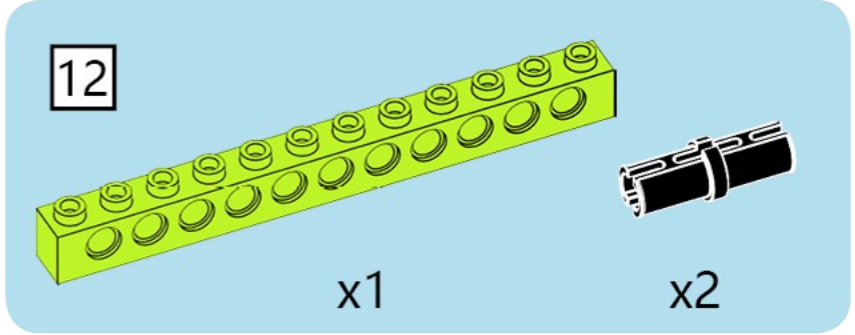
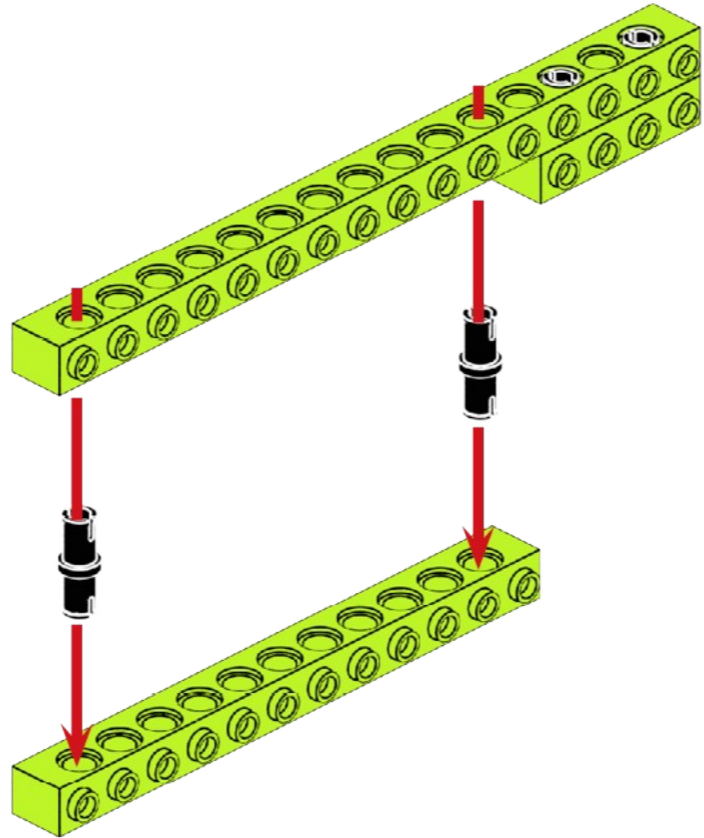


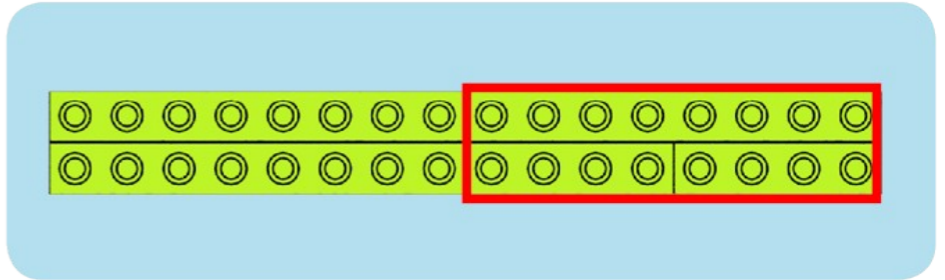
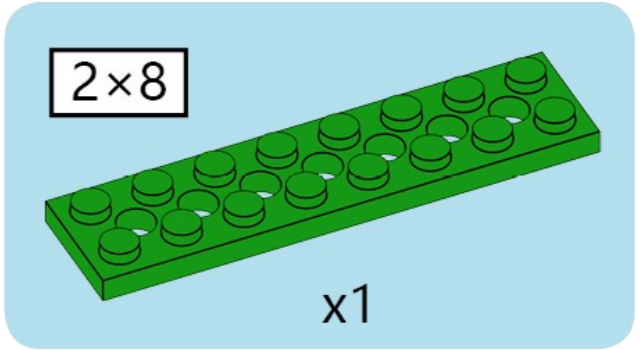
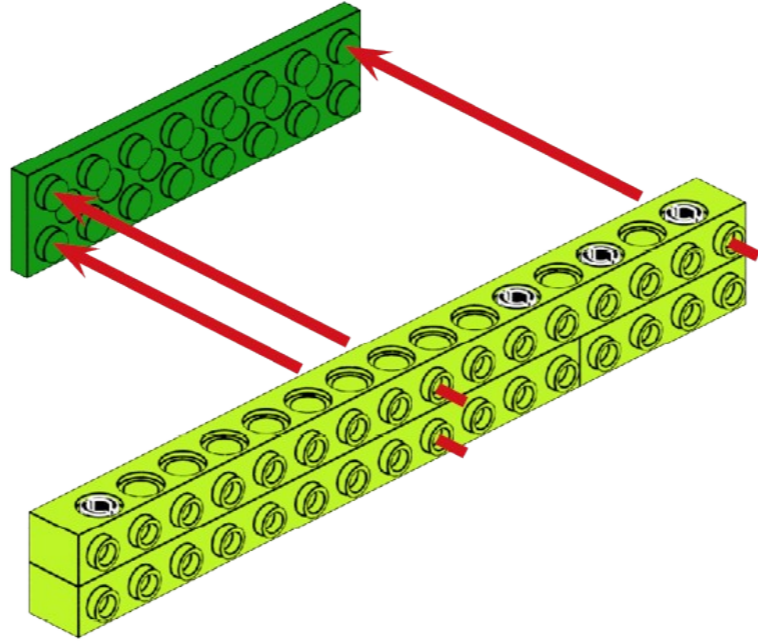
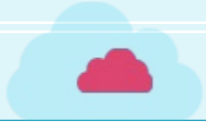
4

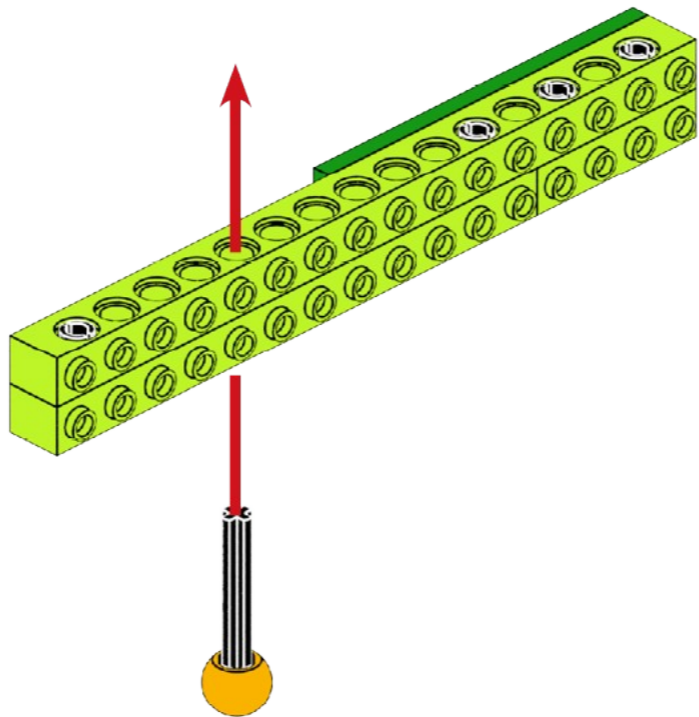


x1









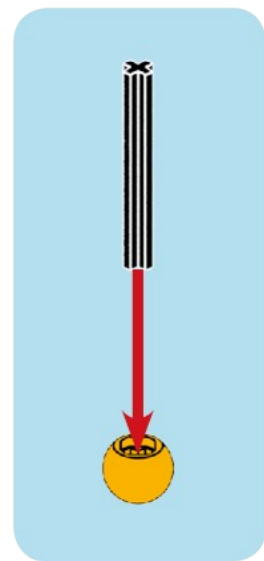
4

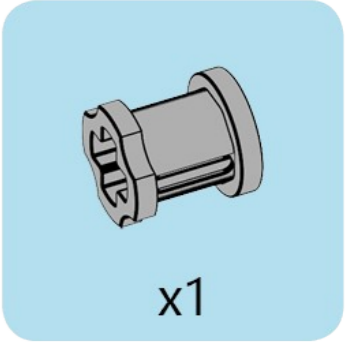
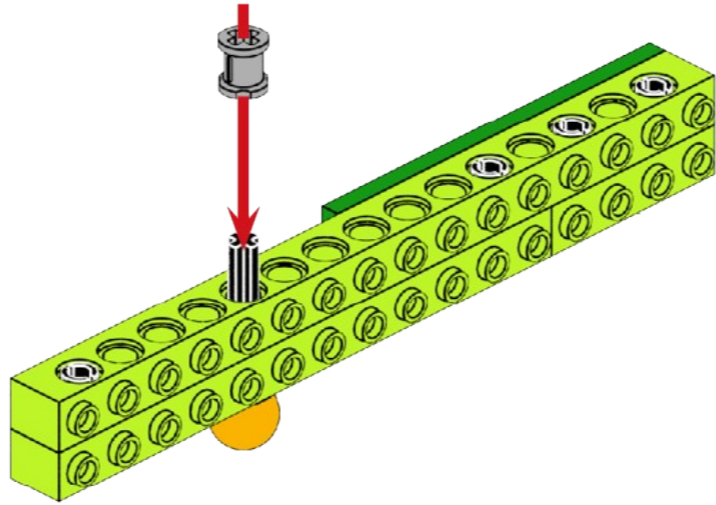


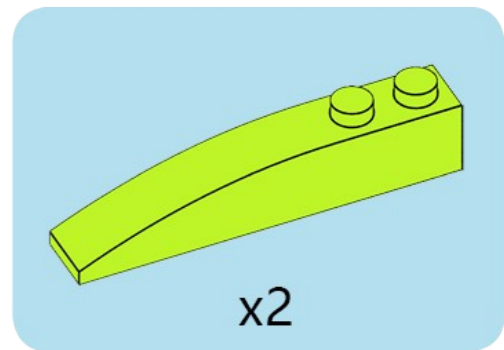
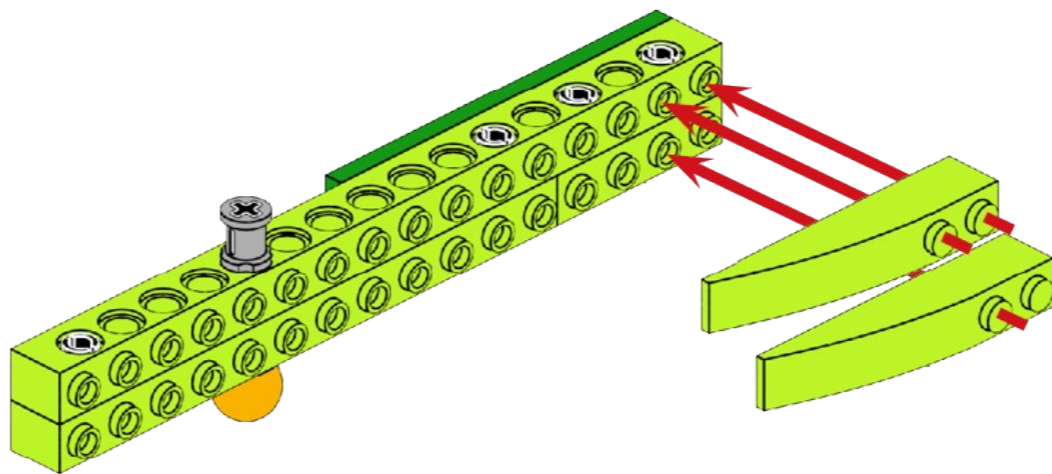
x1

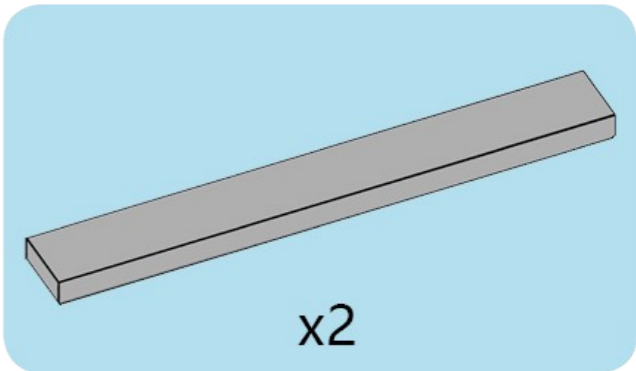
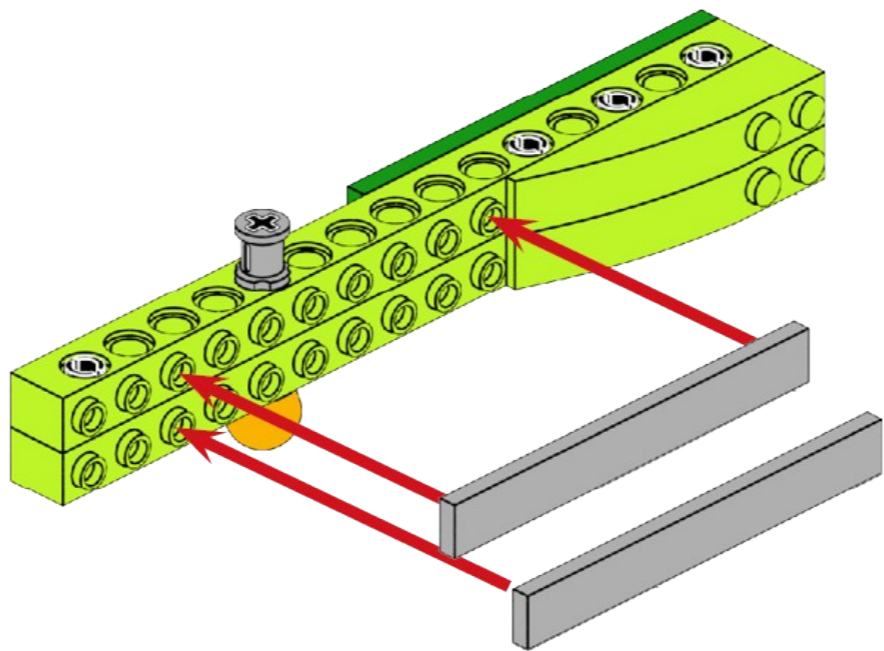


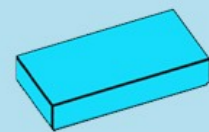
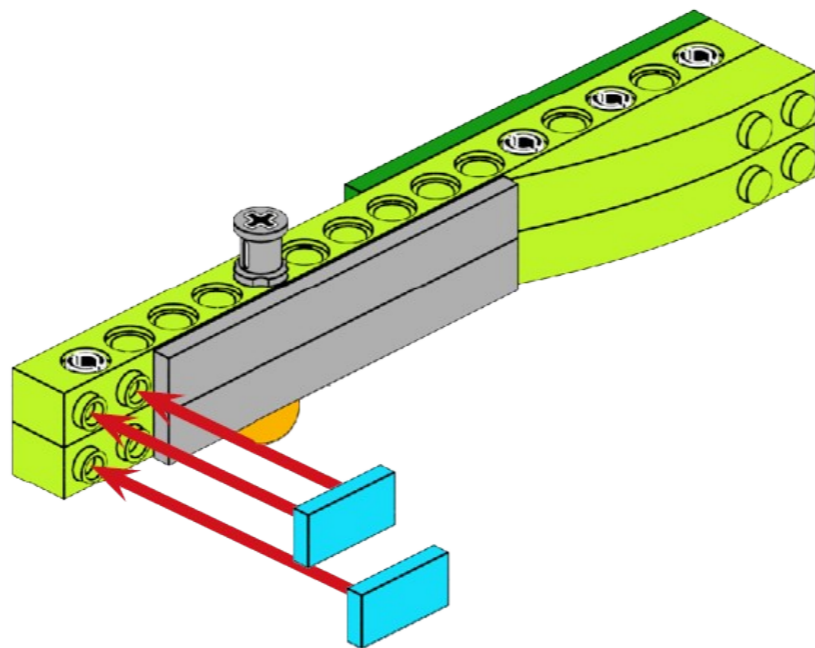
x1







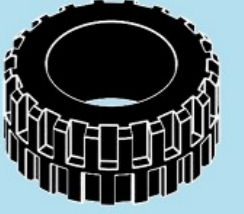




x2



x1



x1



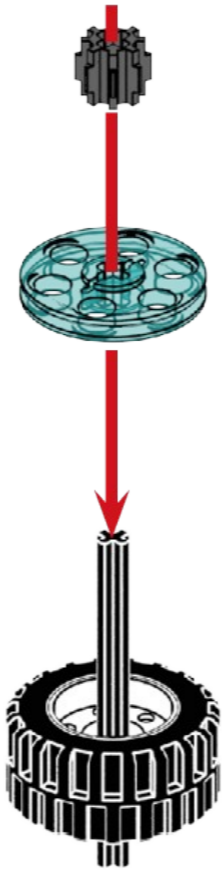


6

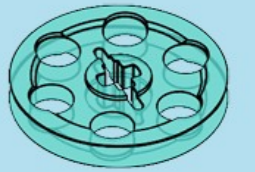


x1

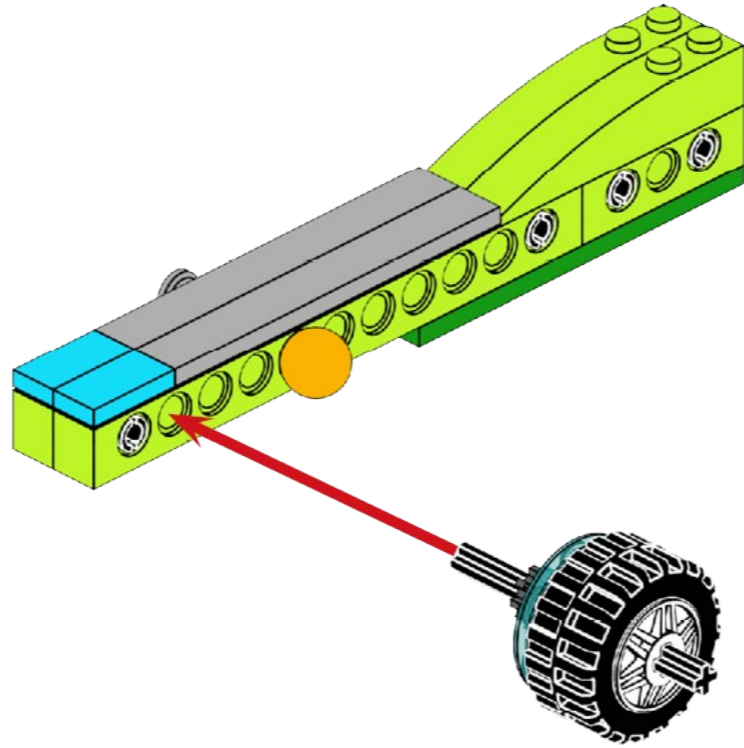


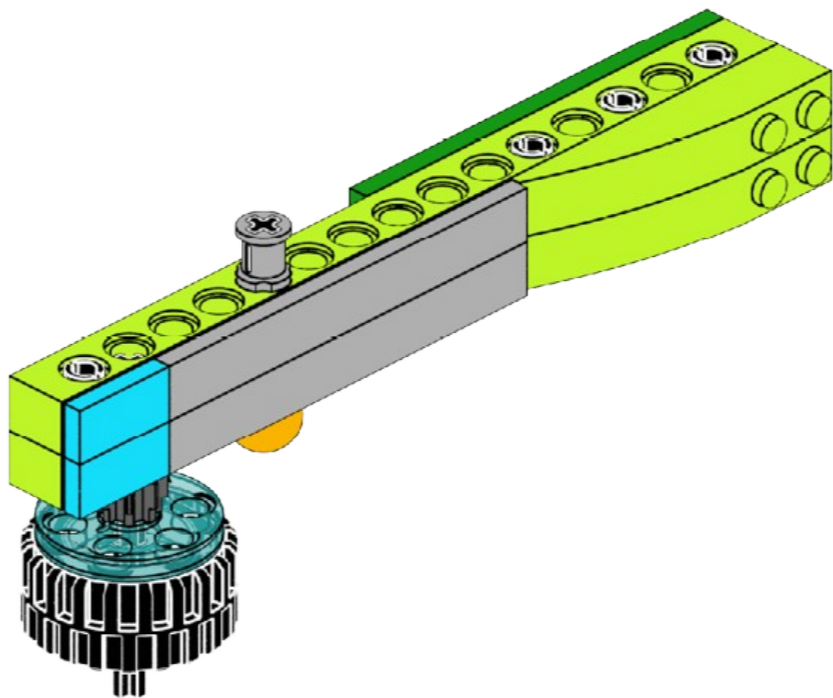


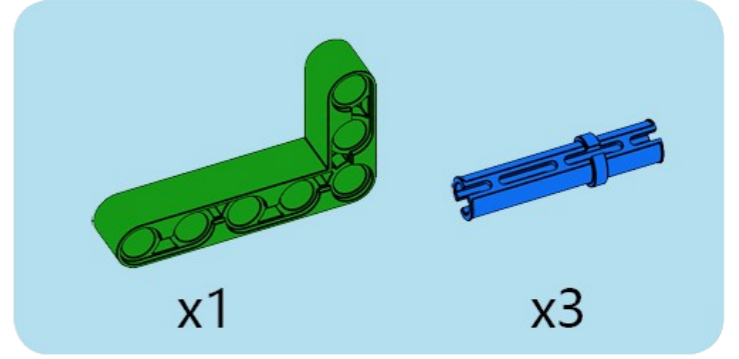
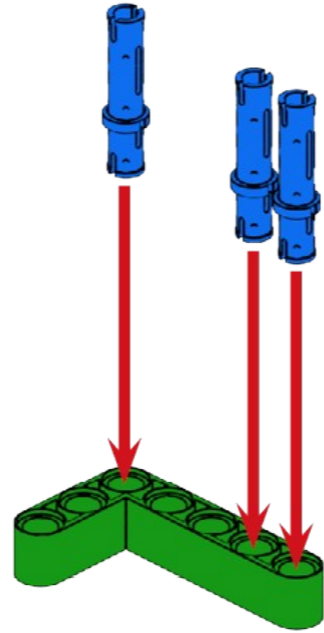
x1

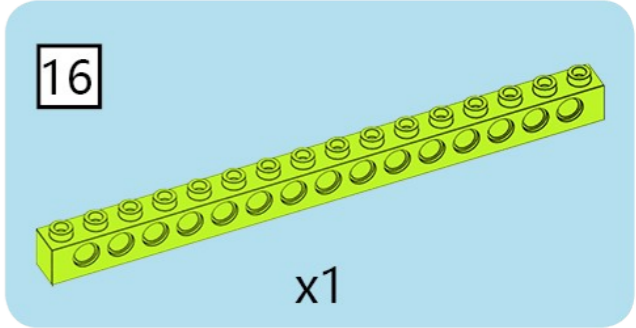
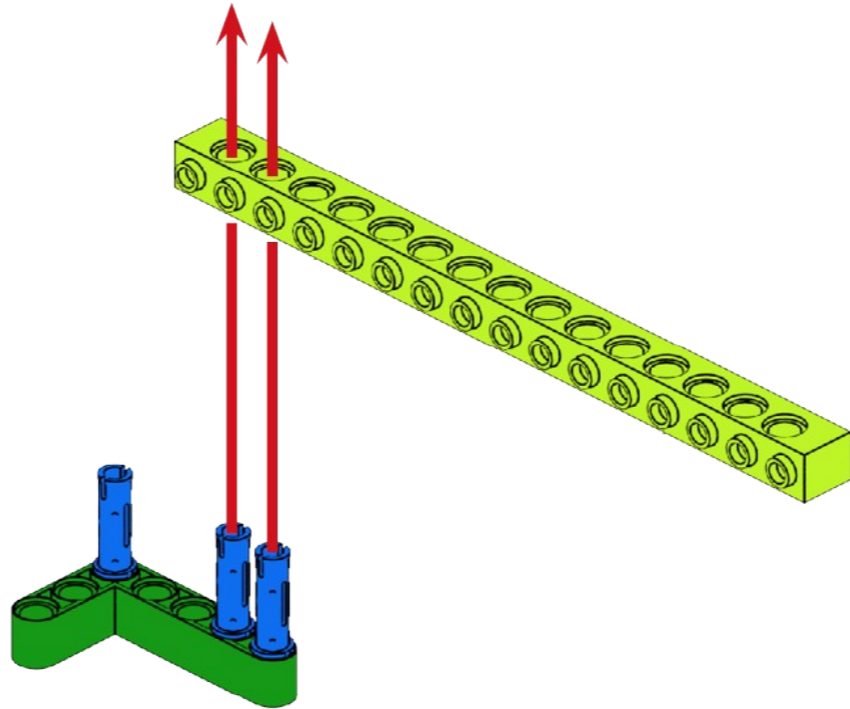


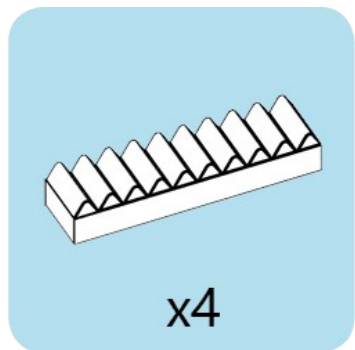
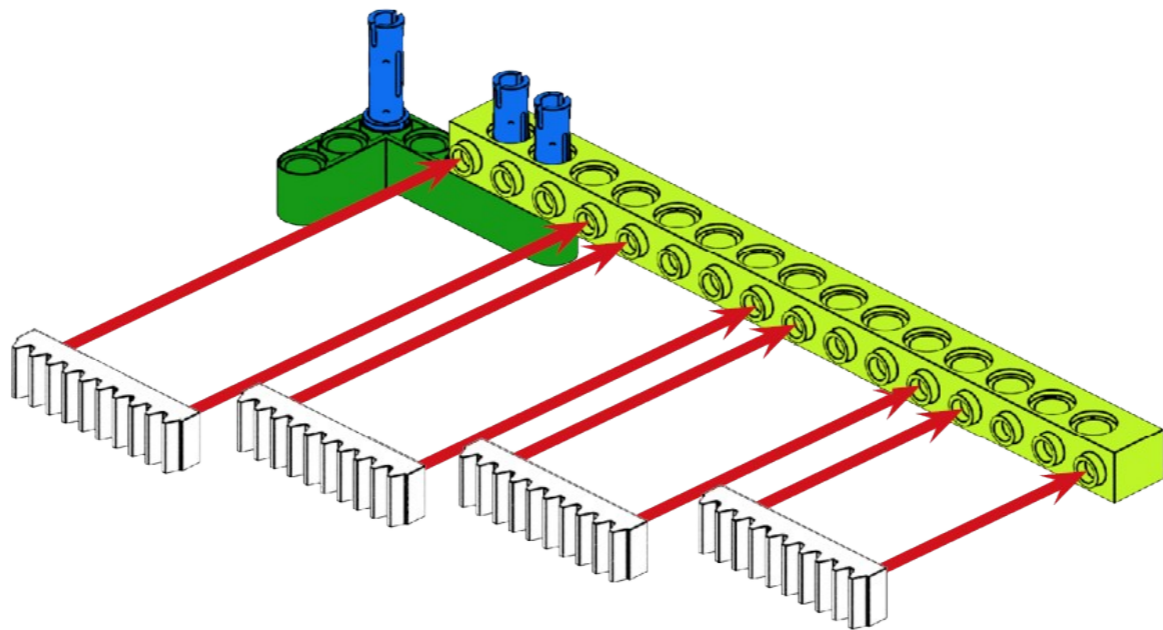
x1

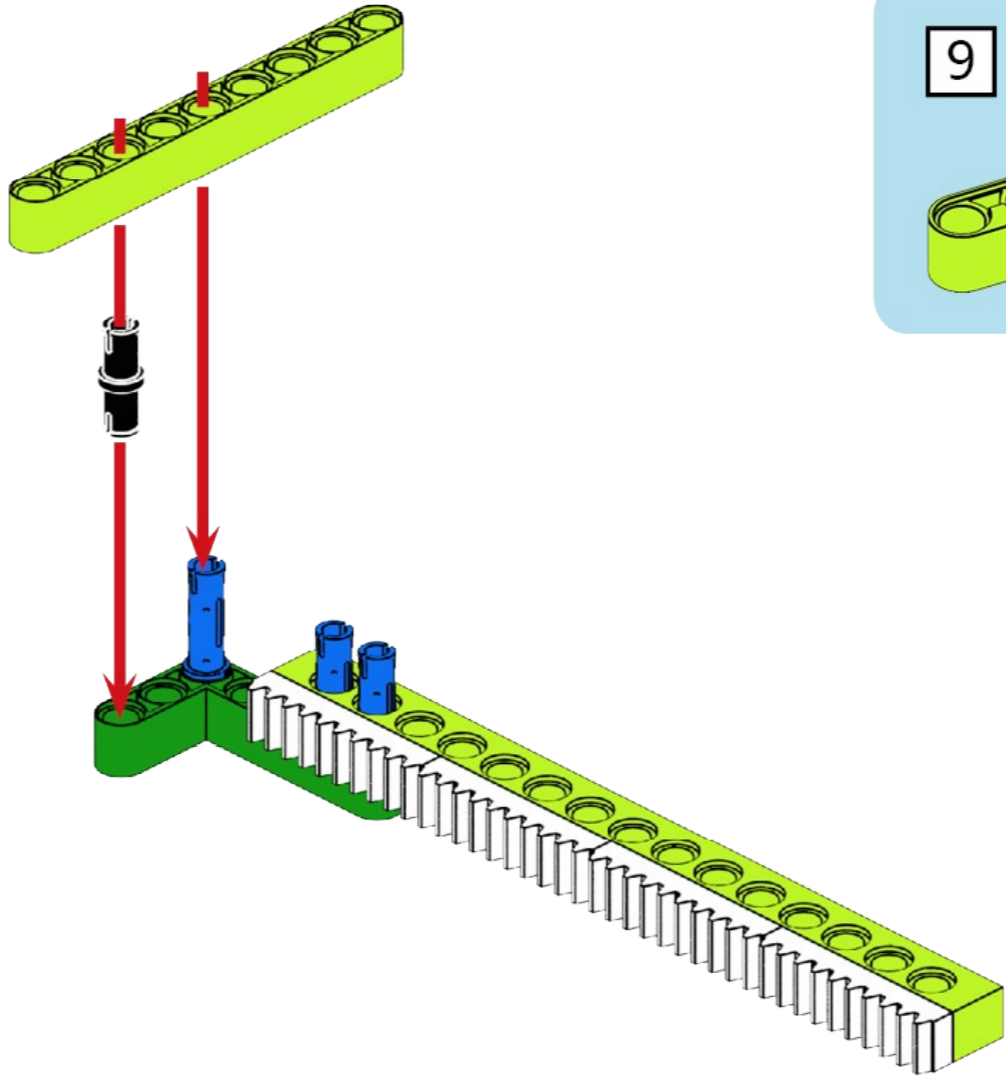






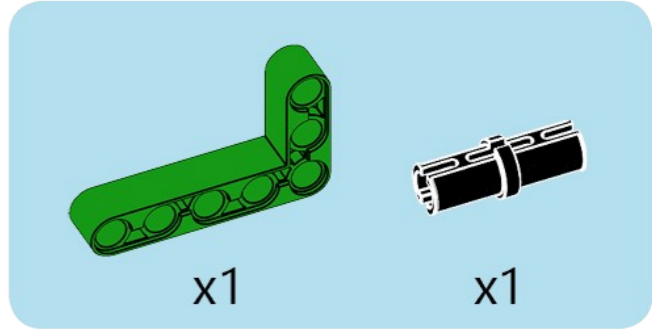
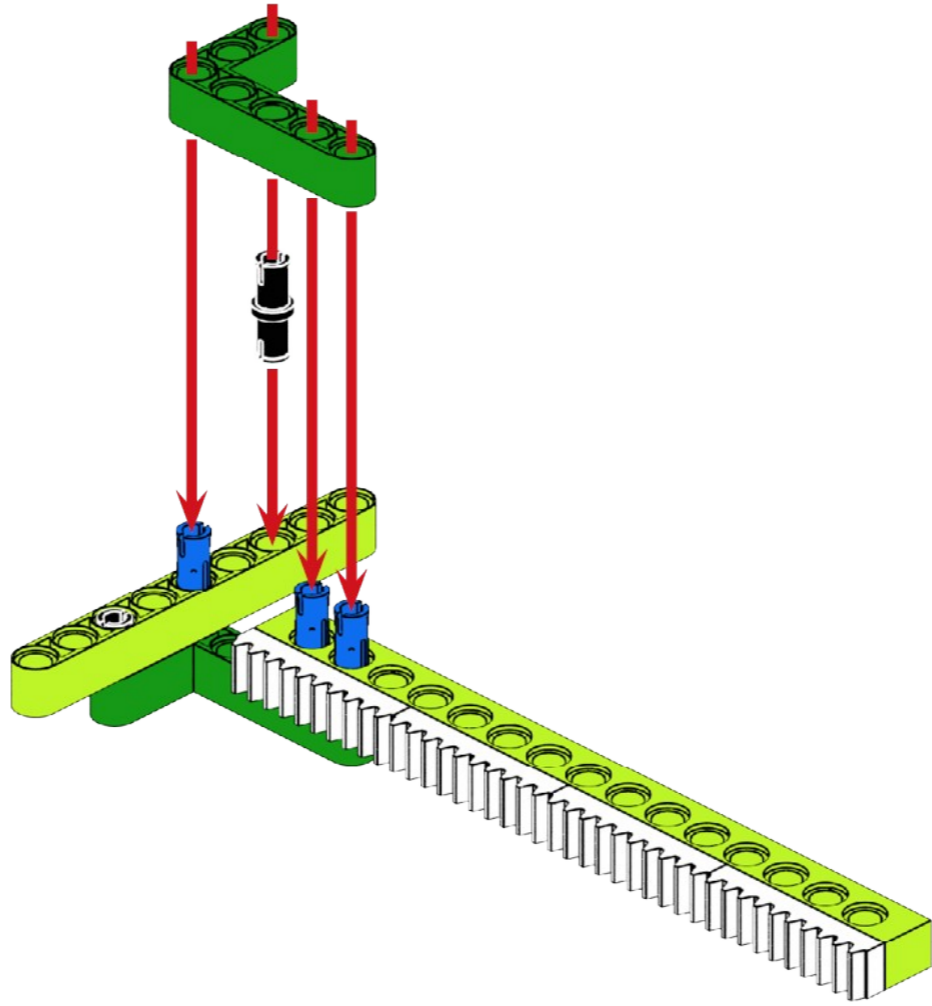
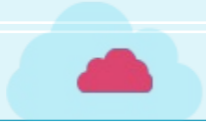


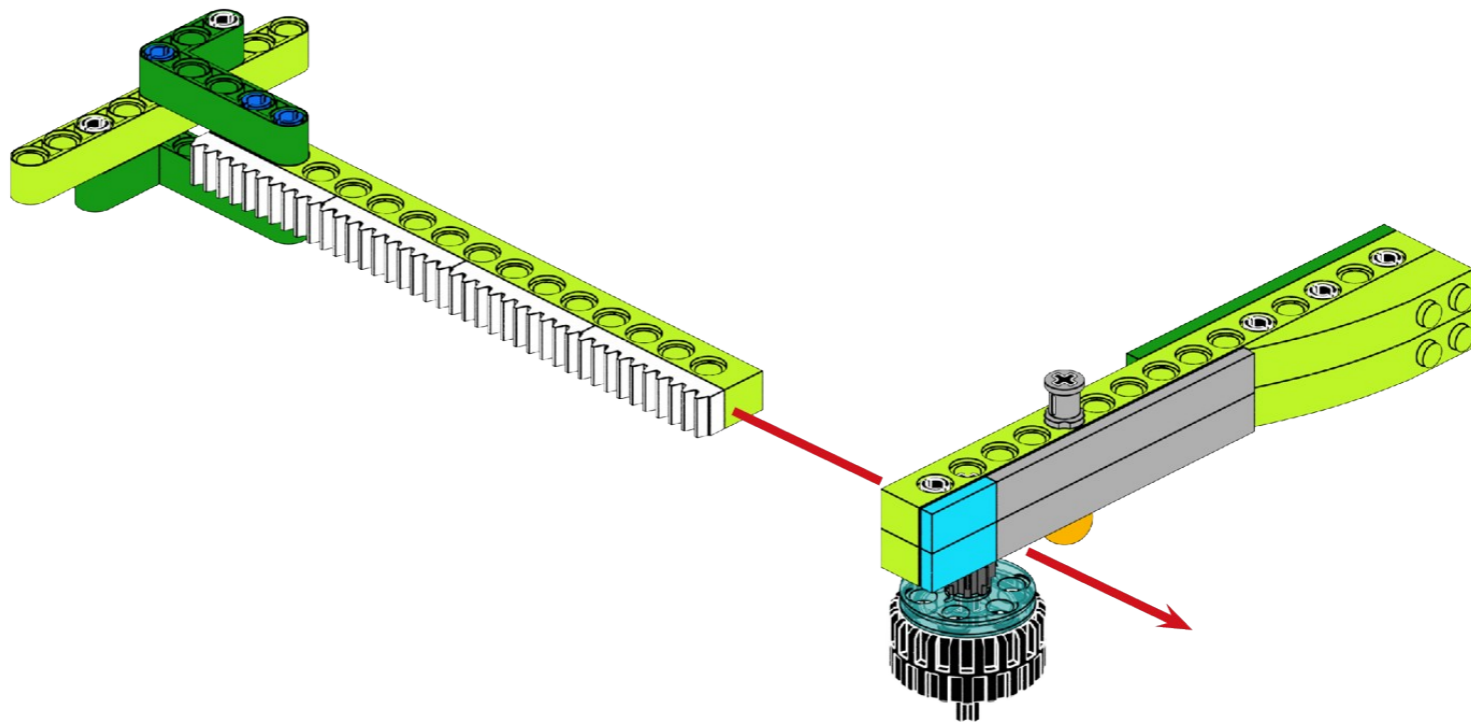


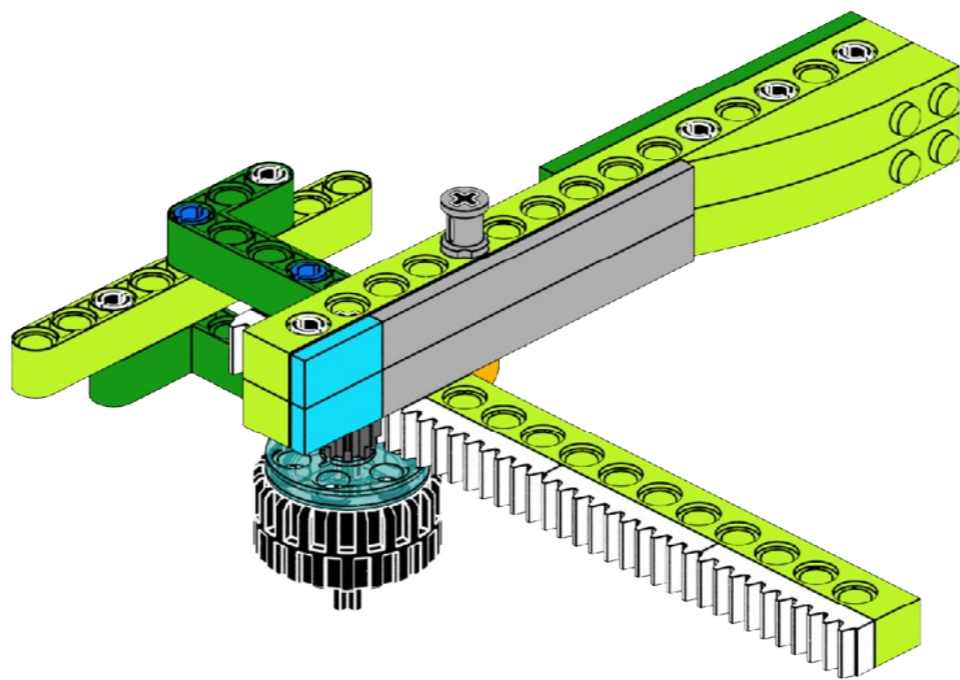


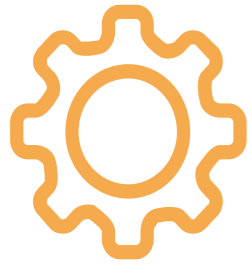
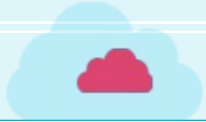
9

x1 x1

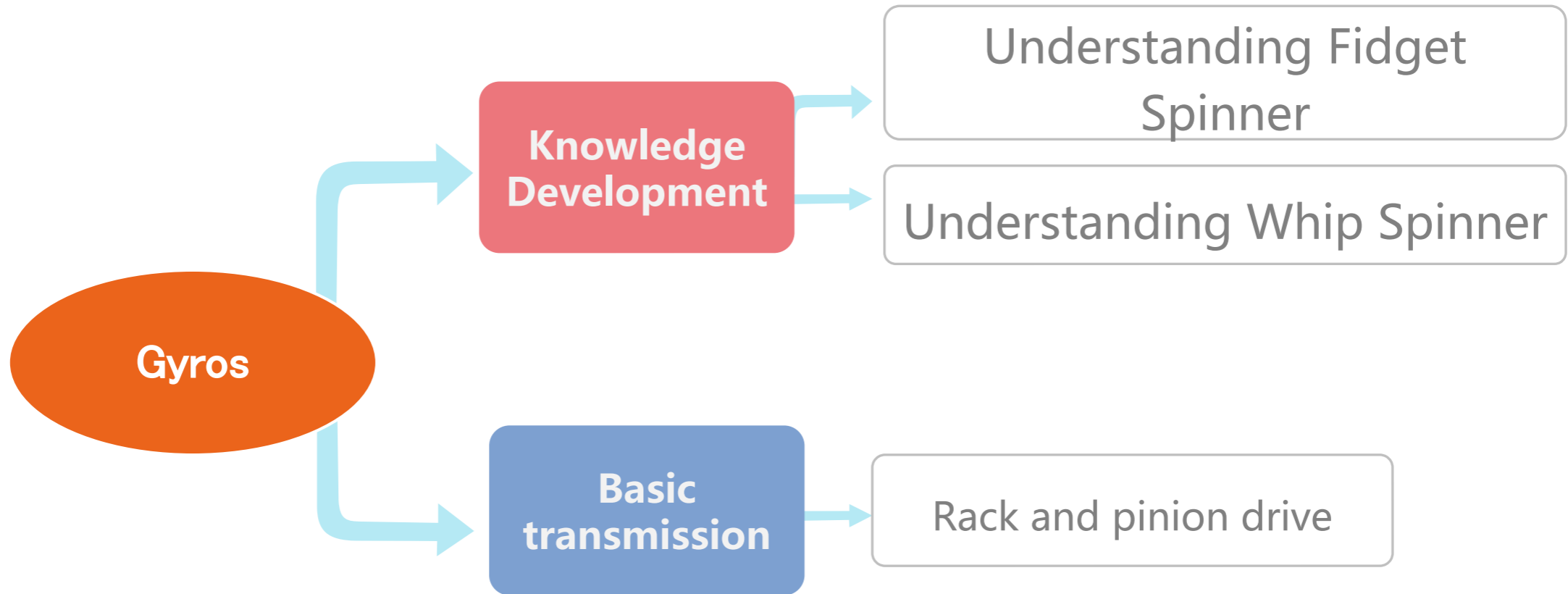








Review





Talk





THANKS

