



Logic

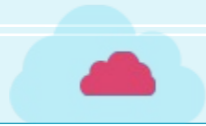
Space



Coding



Focus



Classroom Discipline

01

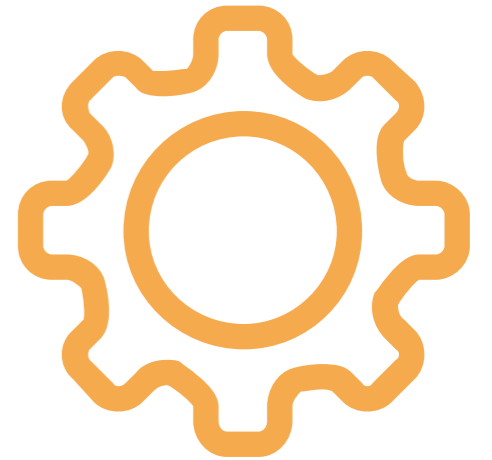
Please sit down and keep quiet in class.

02

Please raise your hand if you have any questions

03

Please observe carefully when the pictures are played.



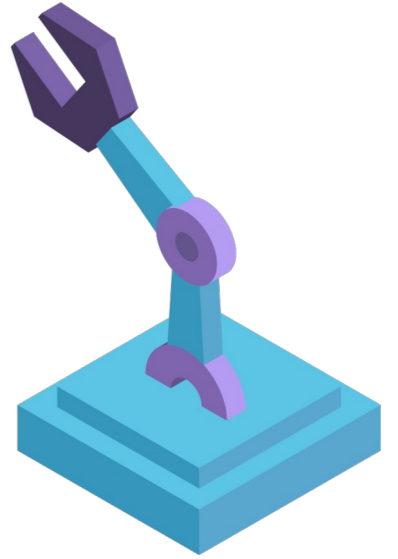


The Egg-beater





Think

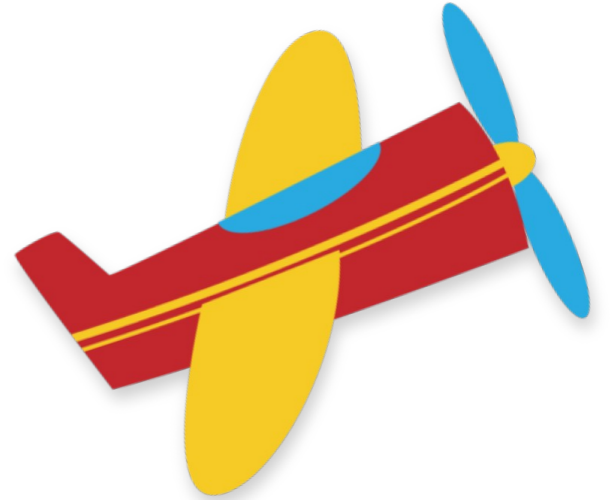


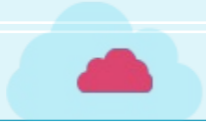
1. What flavor of cake do you like best on your birthdays?
2. What is the cake made of?





Explore





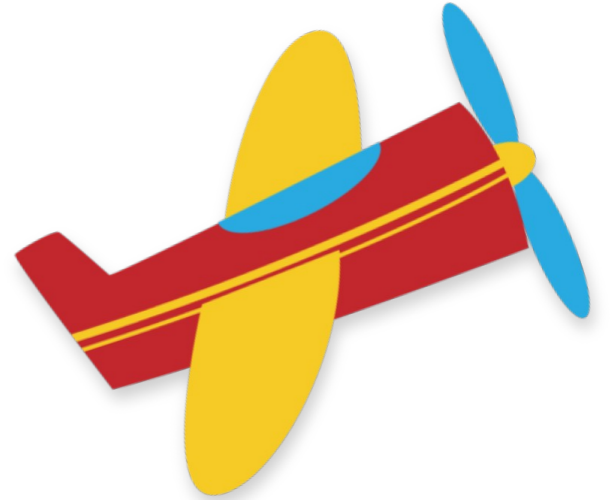
1. What tool should be used to crack the eggs?
2. Is there any better way to beat eggs?

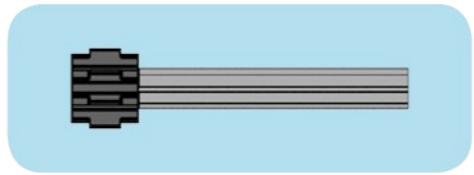
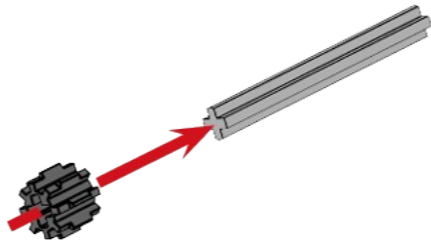
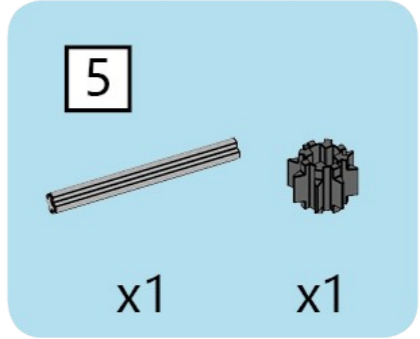


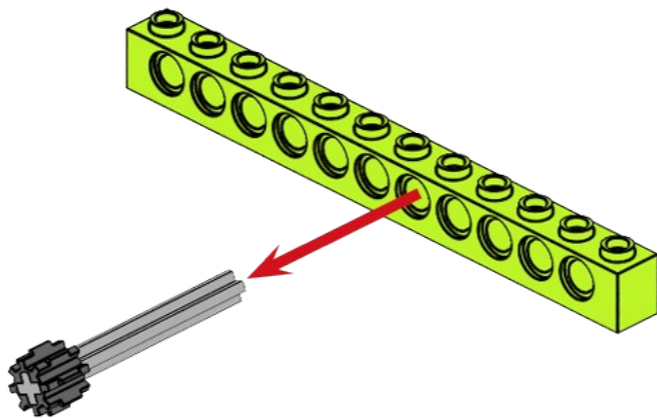
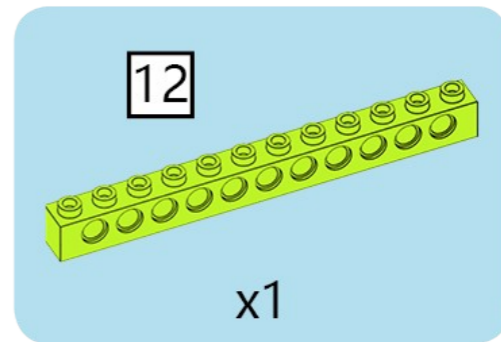
Disadvantageous Lever

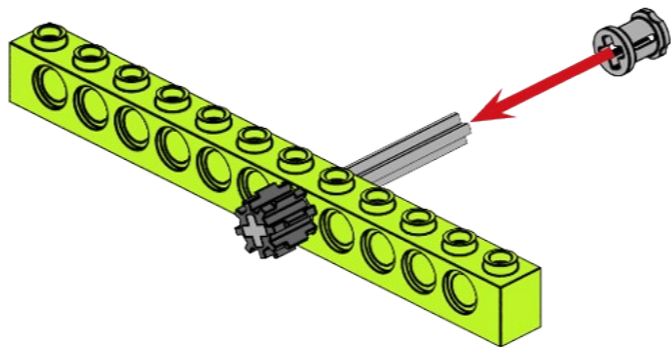
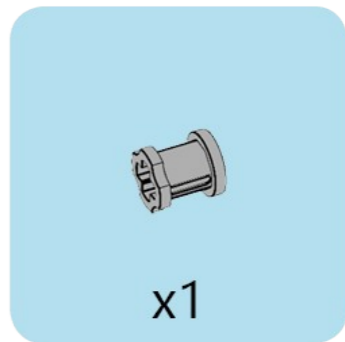


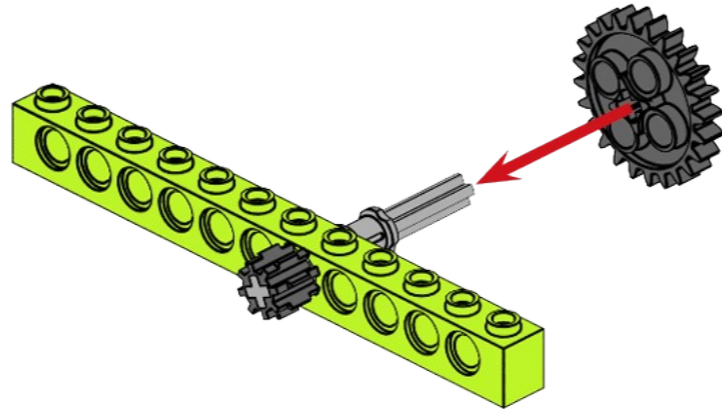
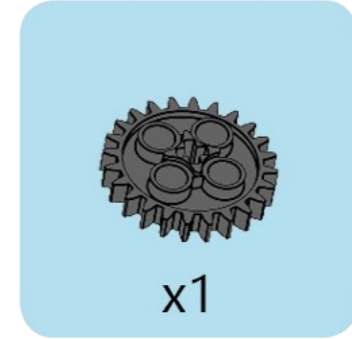
Build

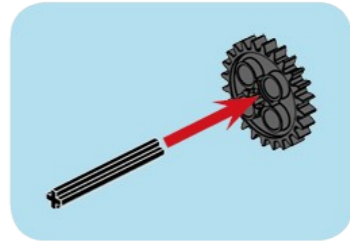
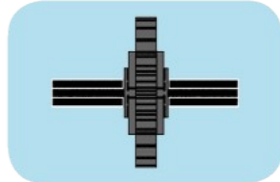
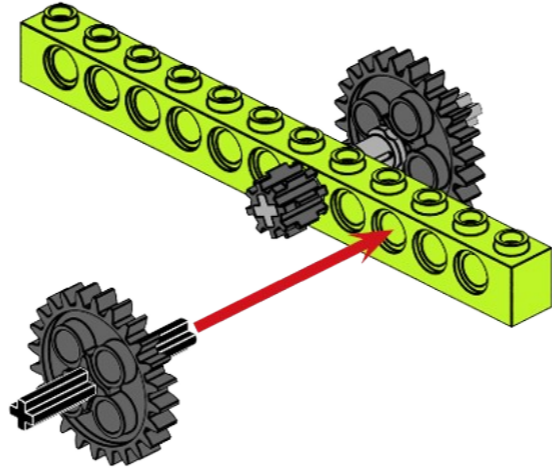
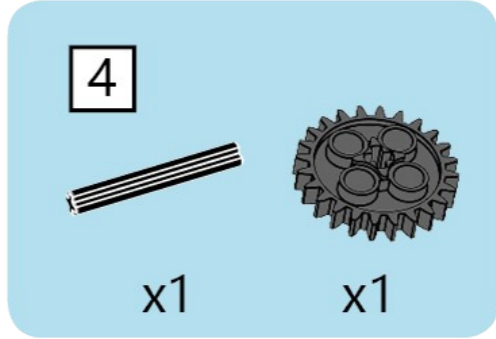






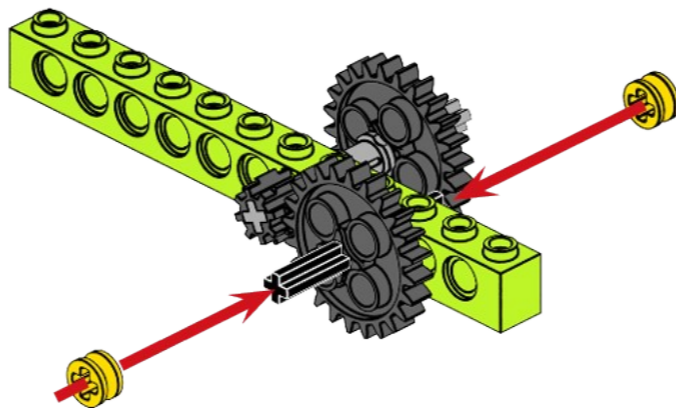


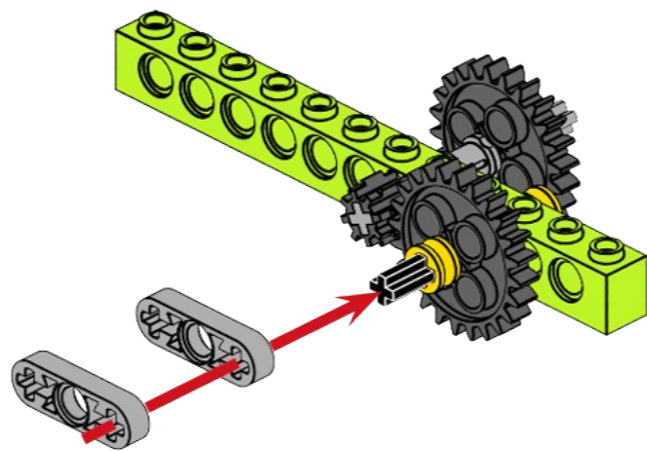
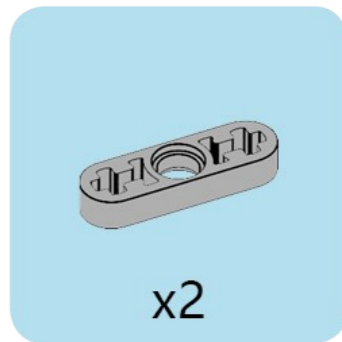


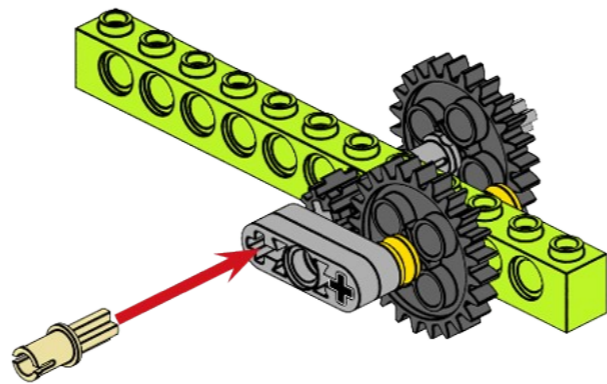
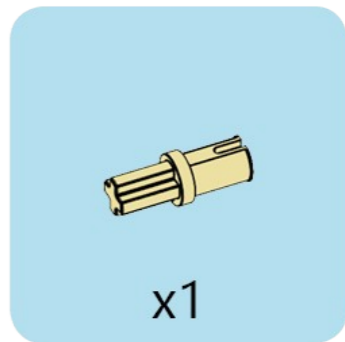


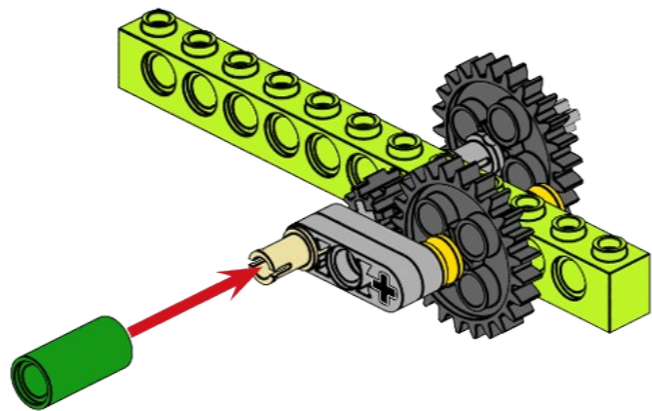
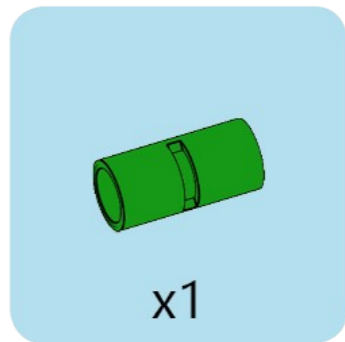


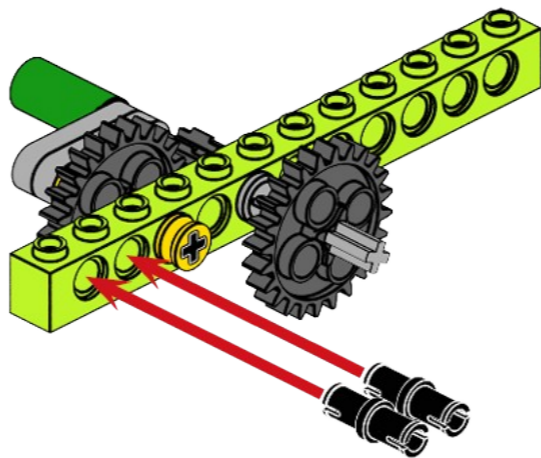
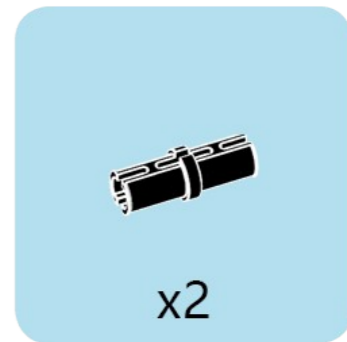
x2

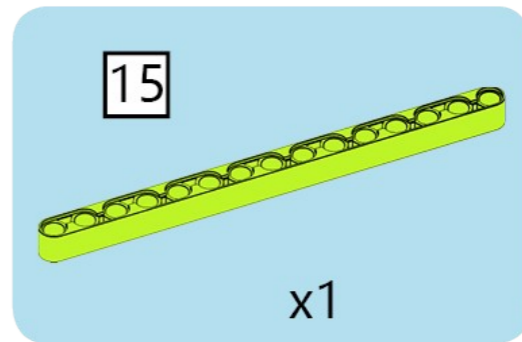
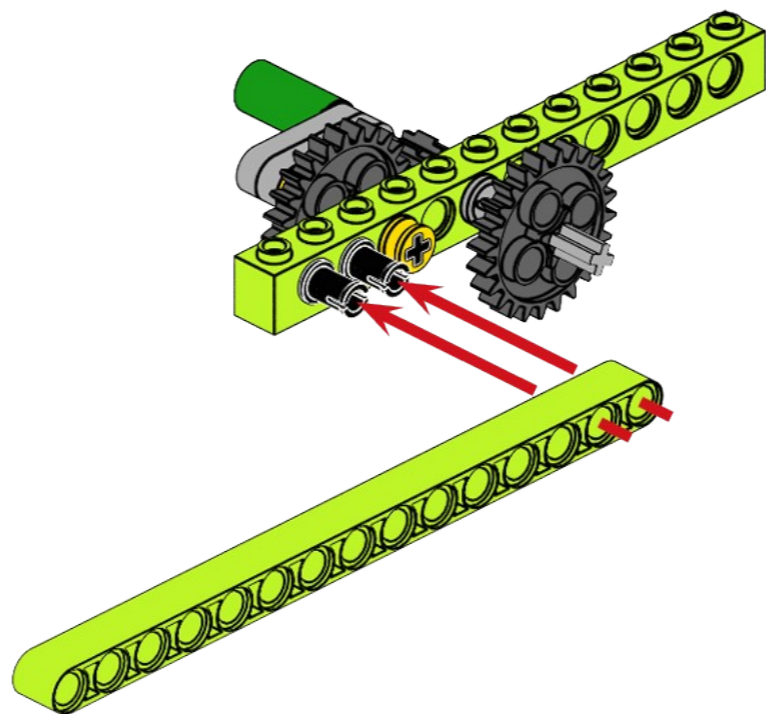


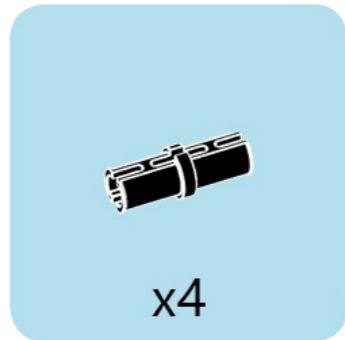
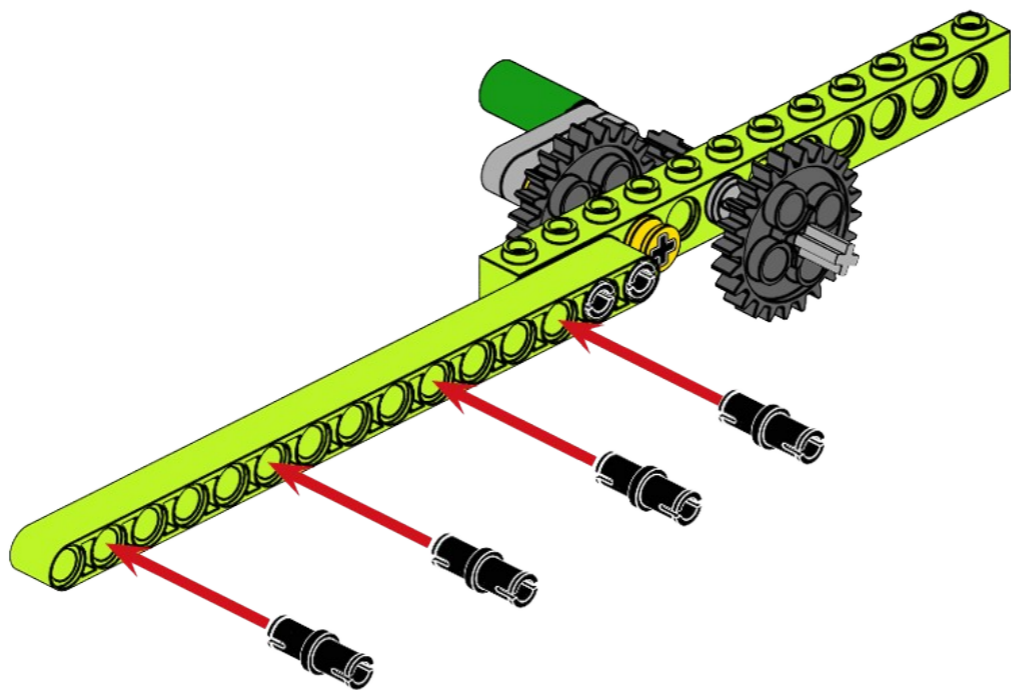


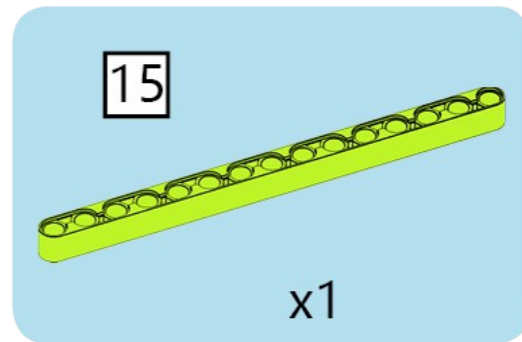
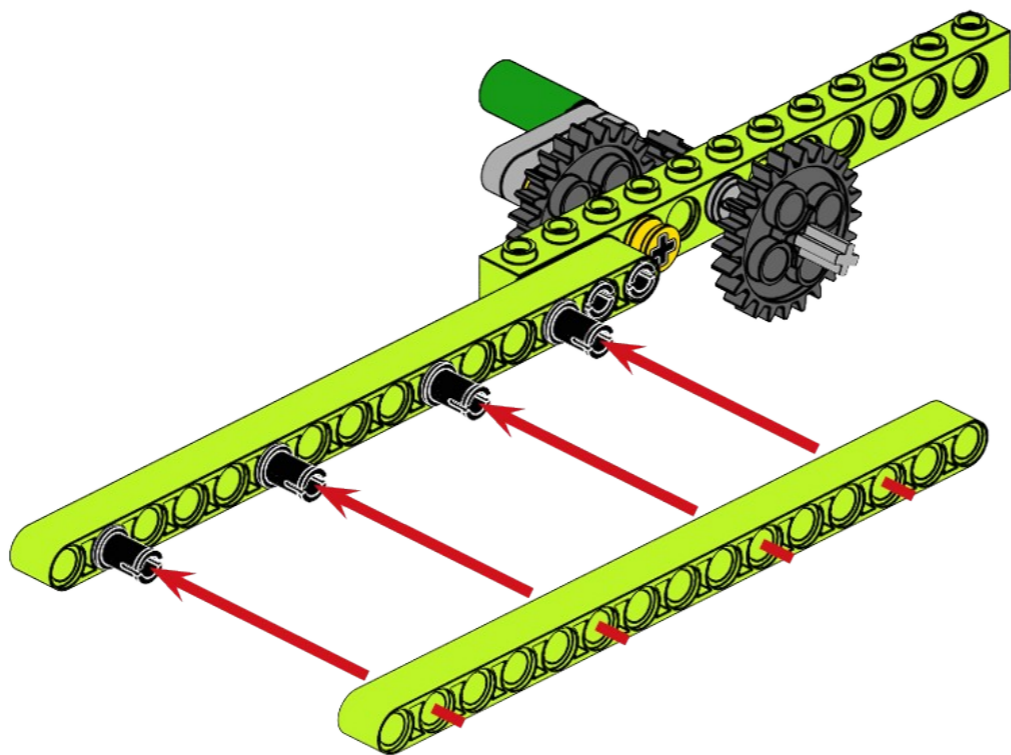


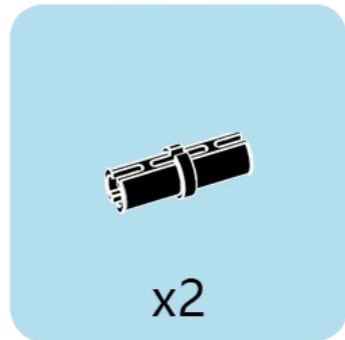
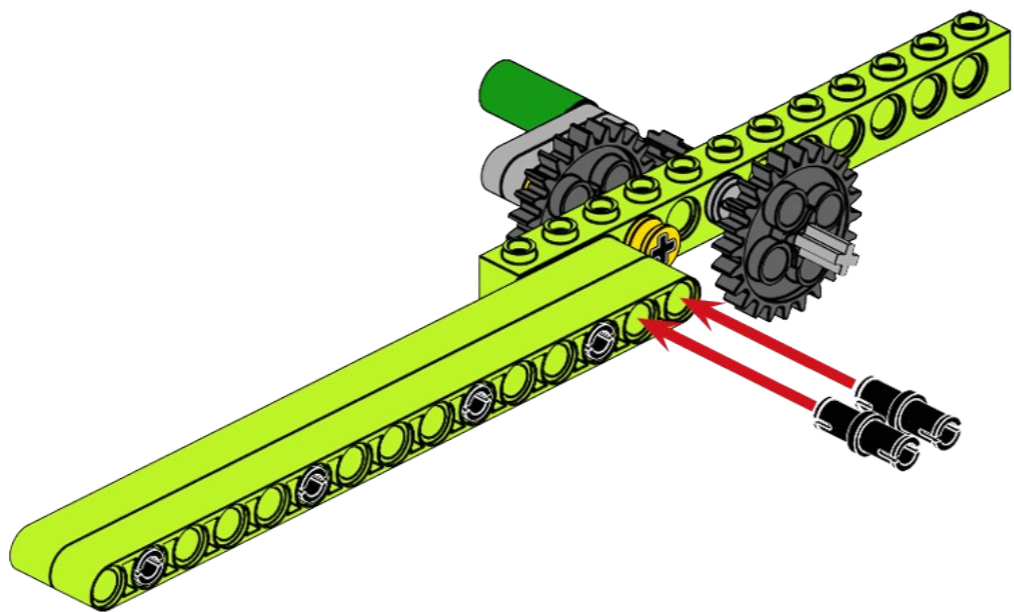


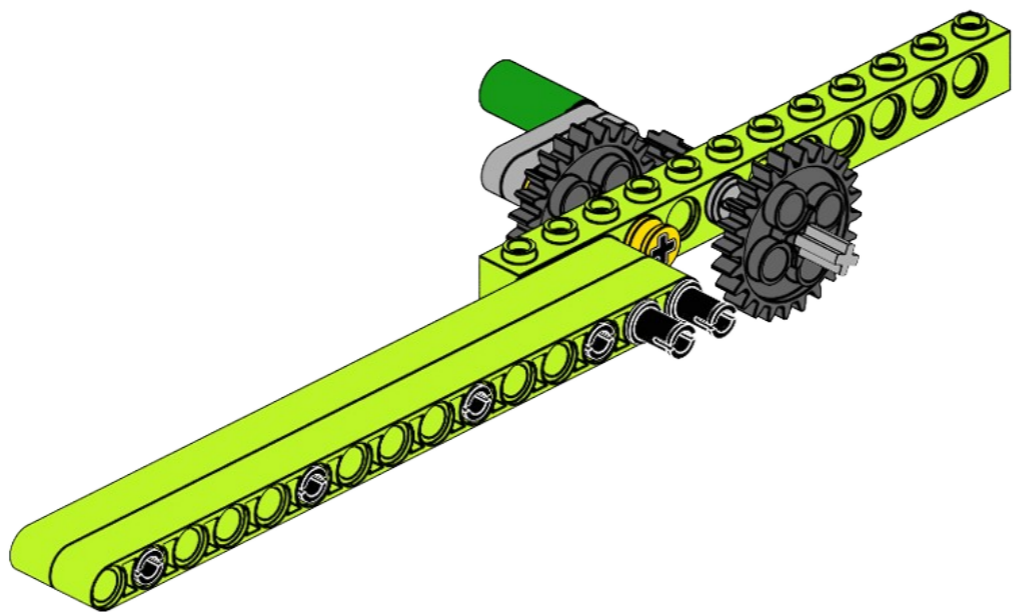


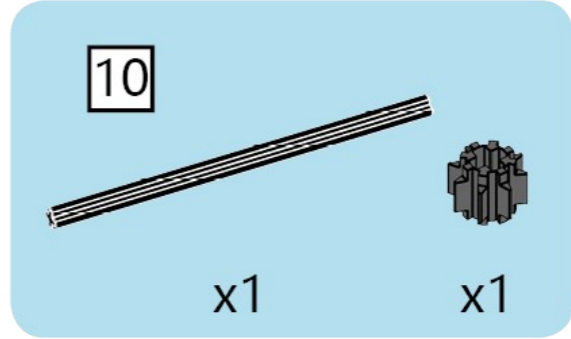
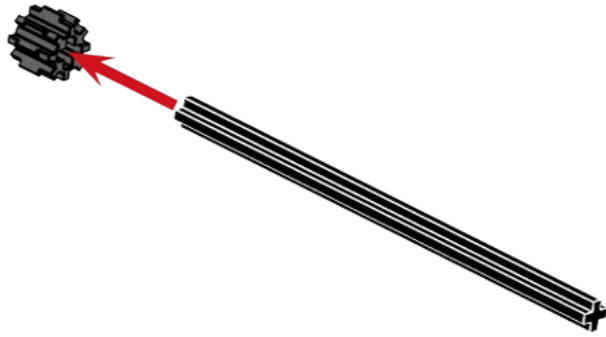


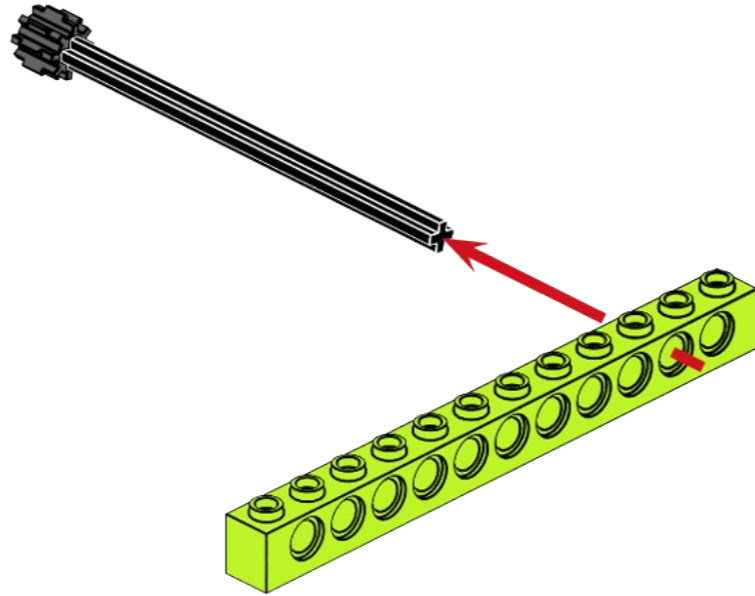
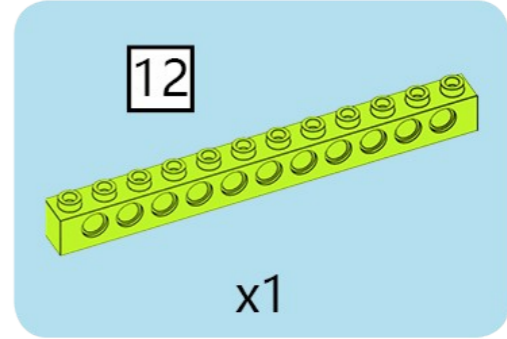


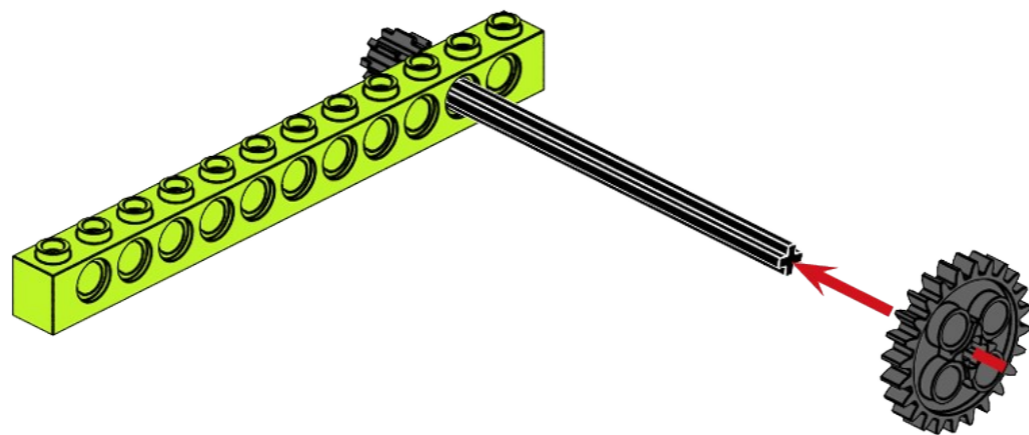
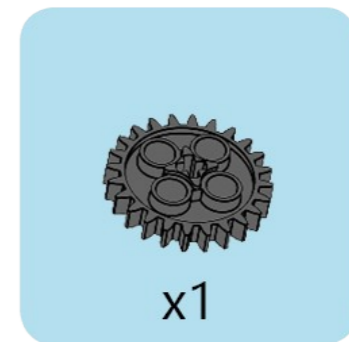


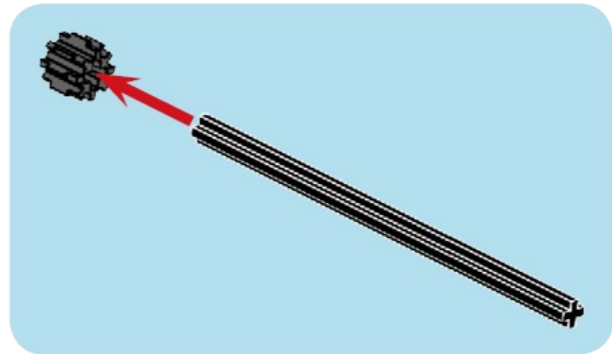
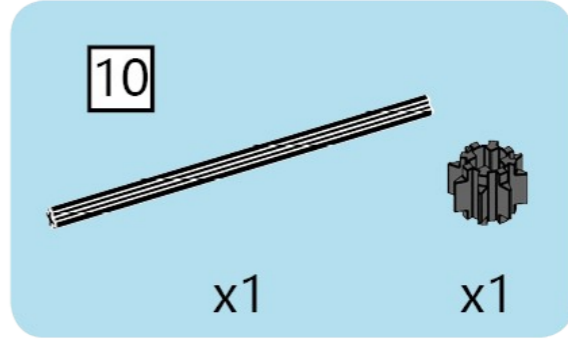
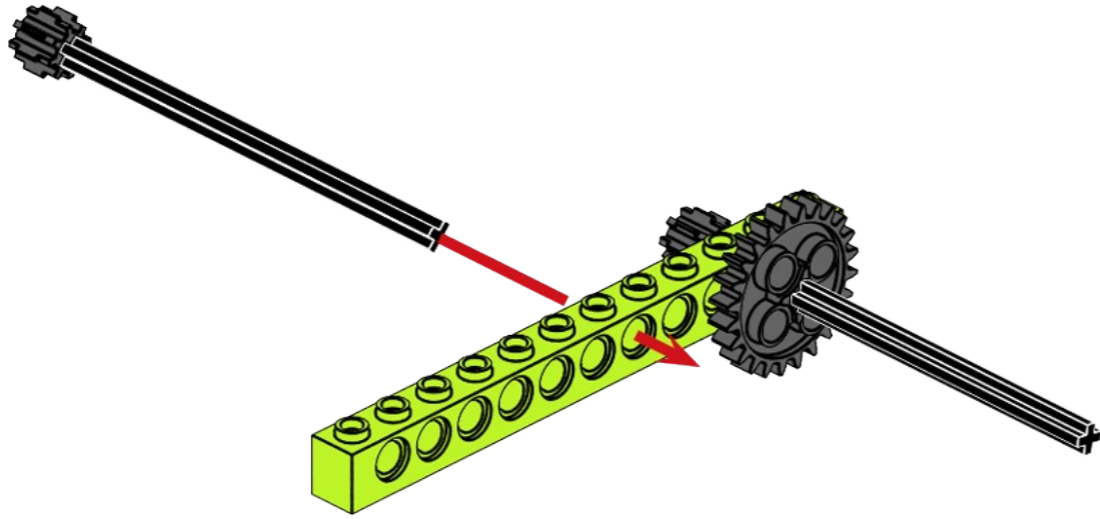


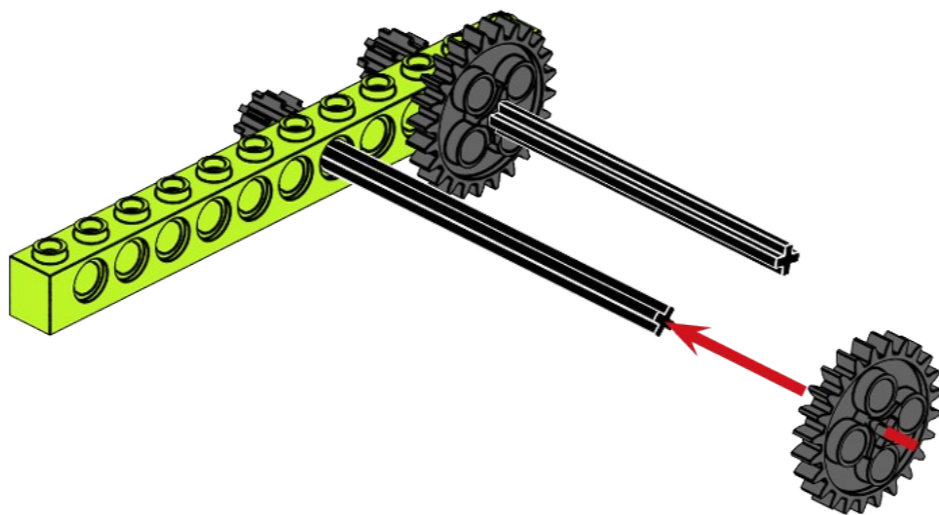
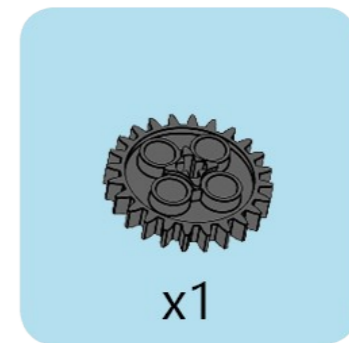


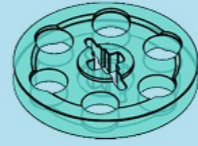
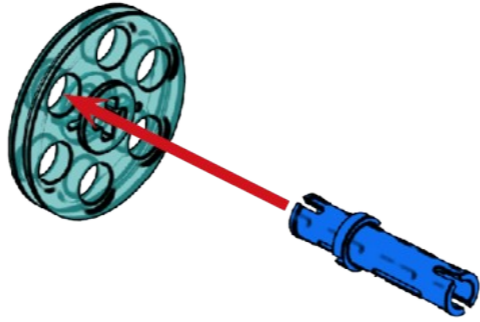








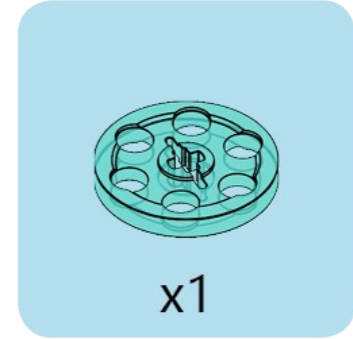
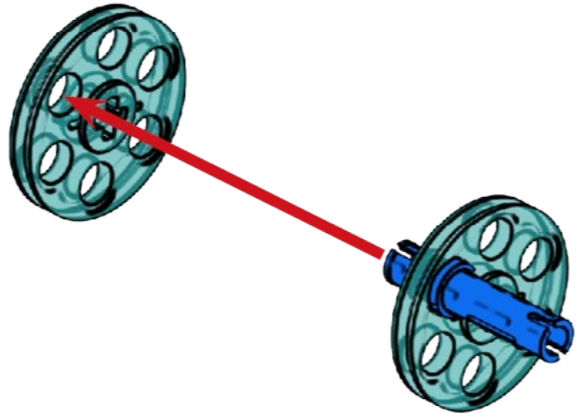


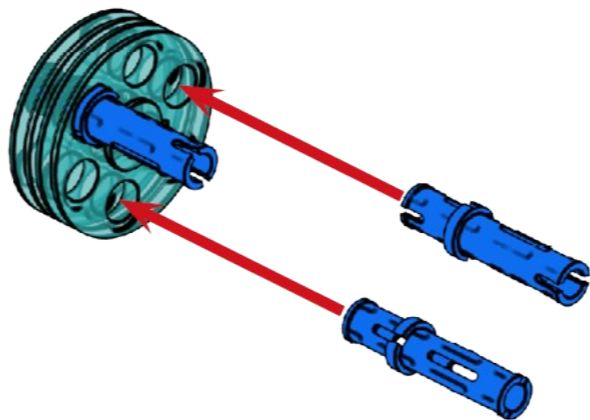
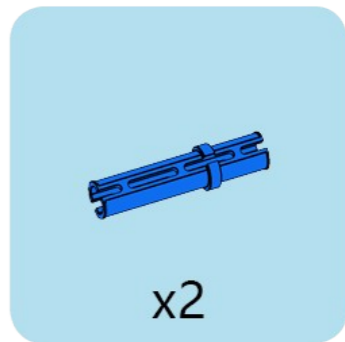


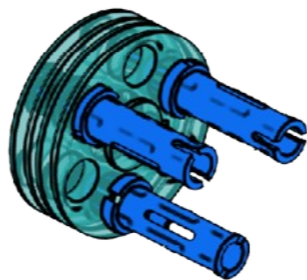
x1

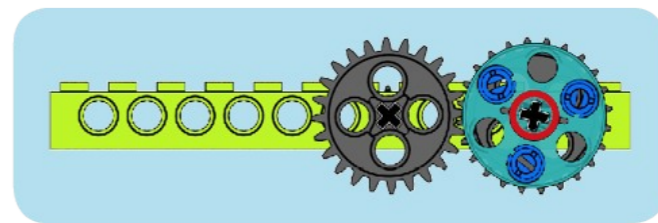
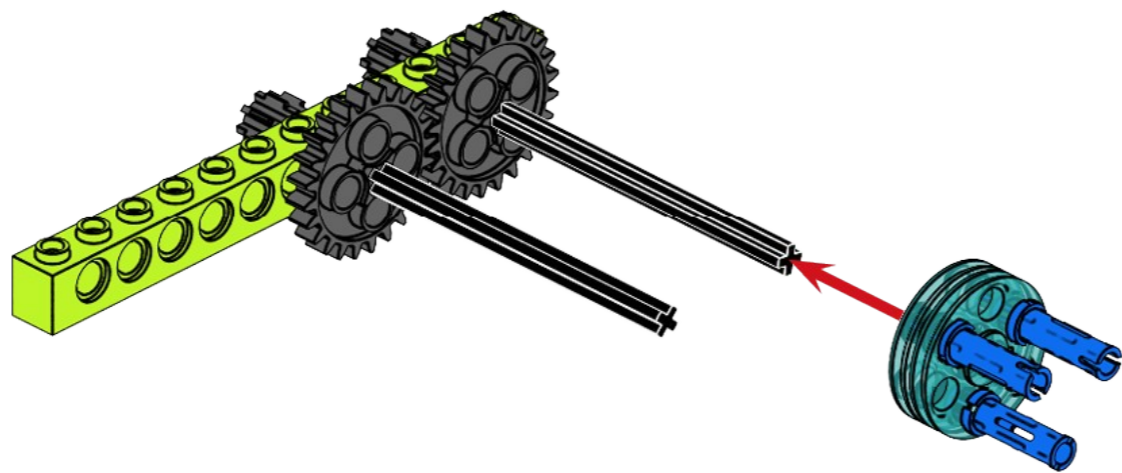


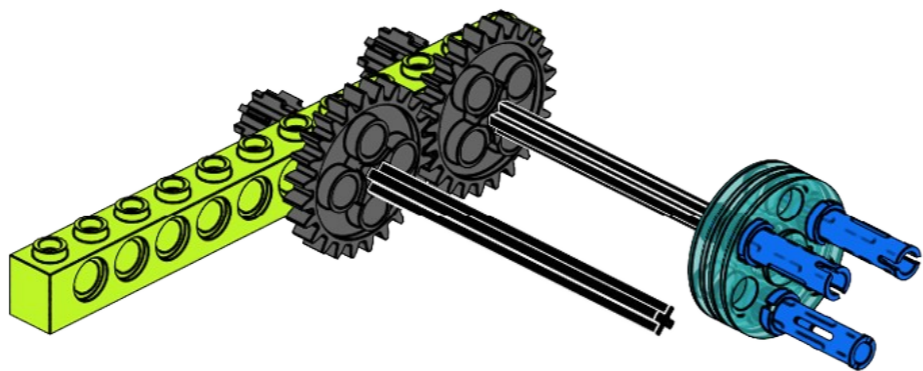
x1

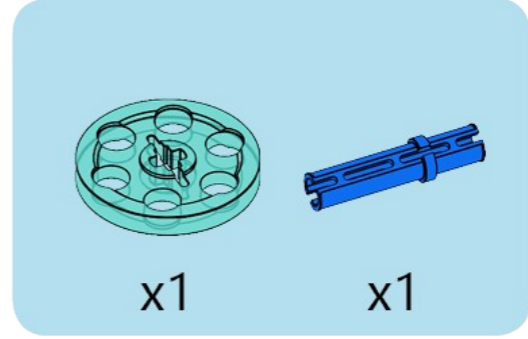
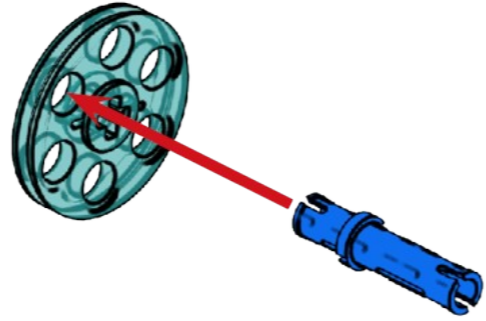


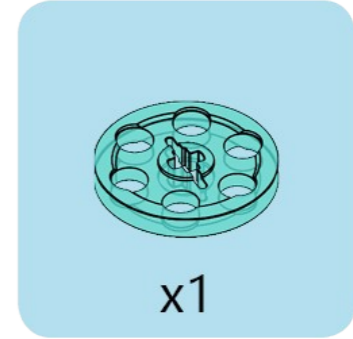
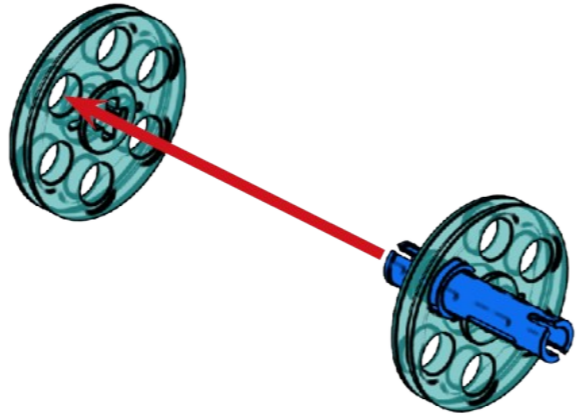


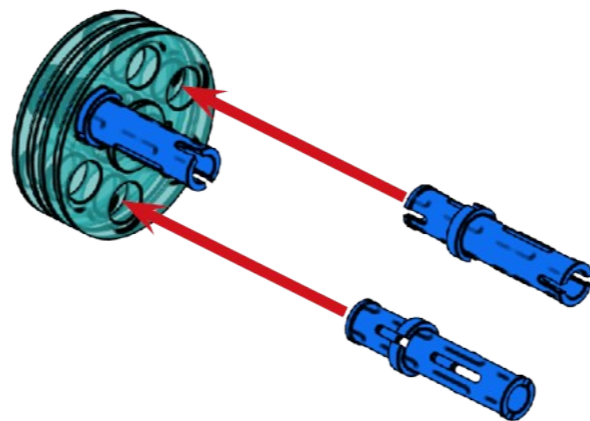
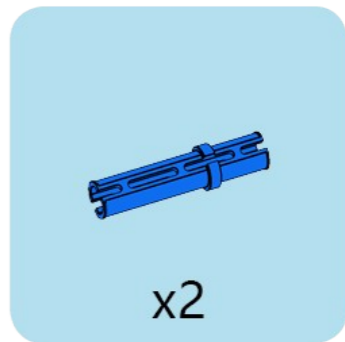


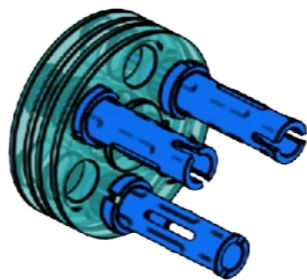


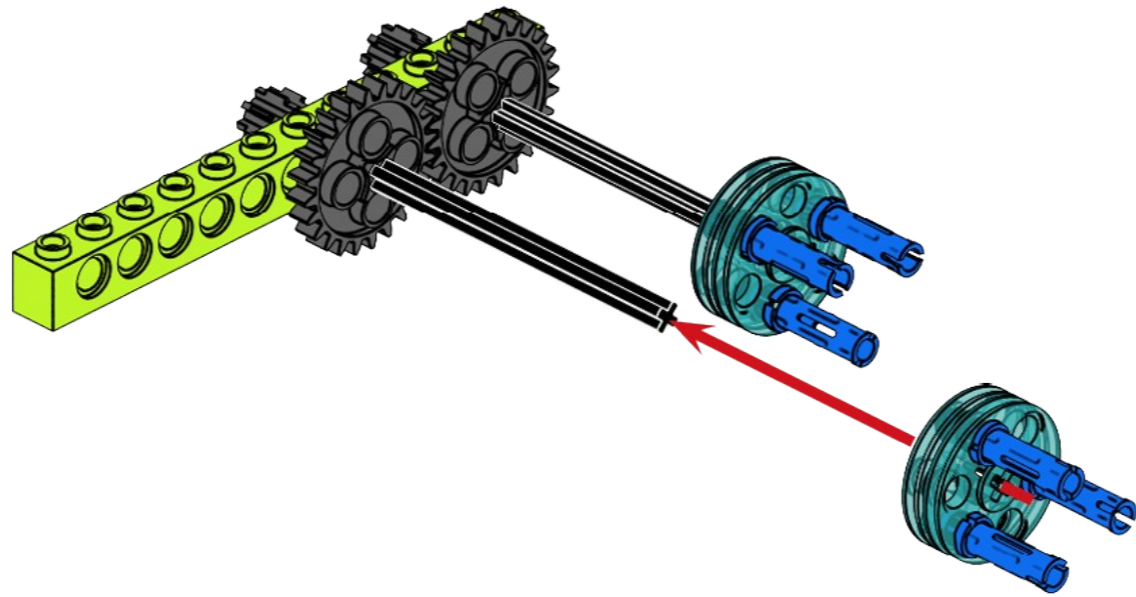


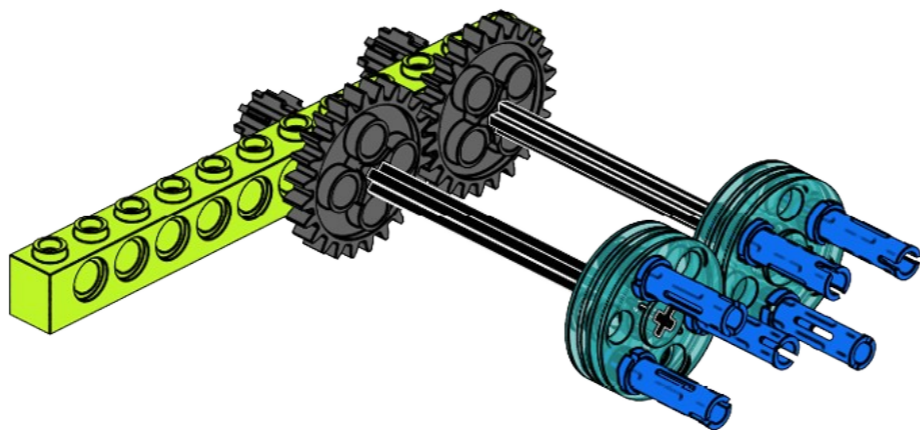


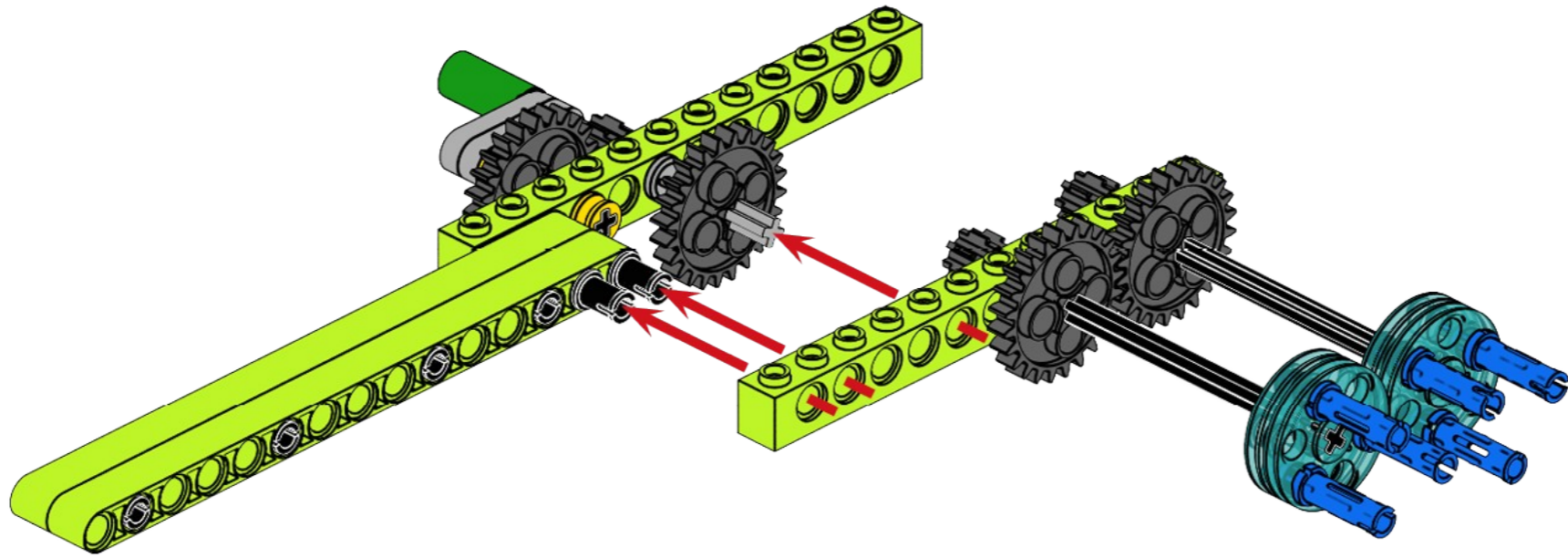


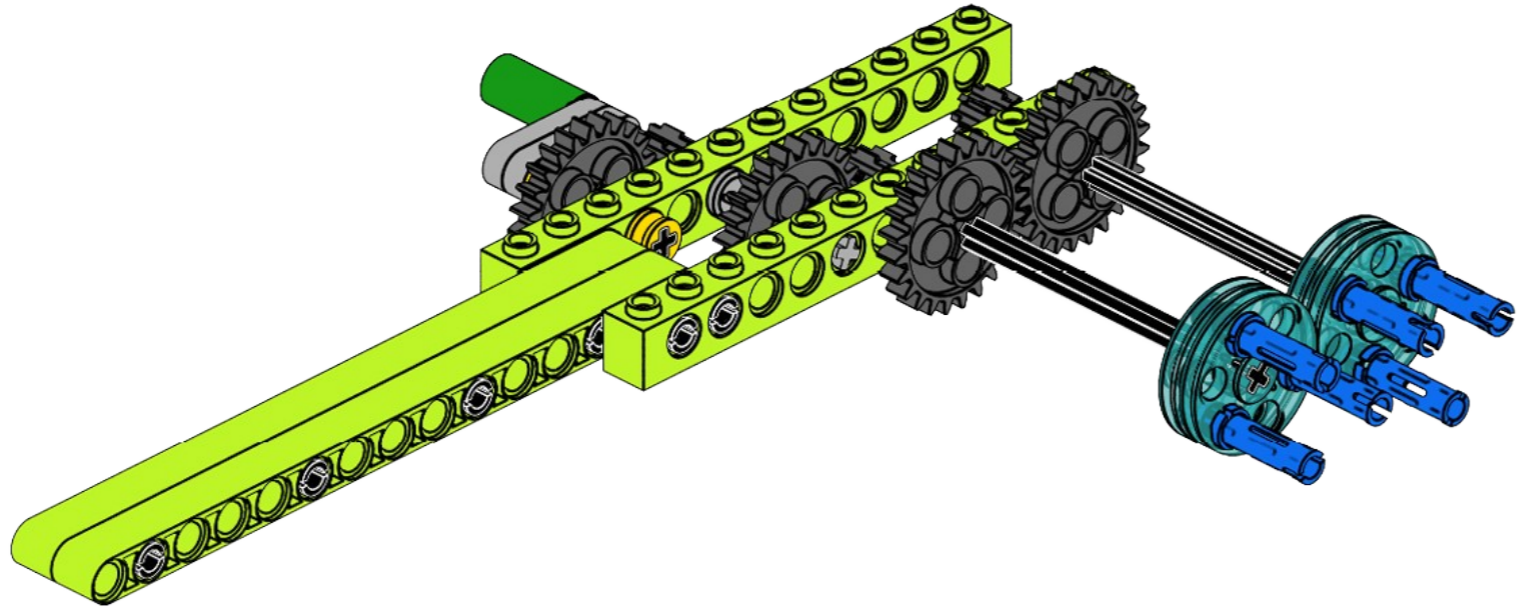


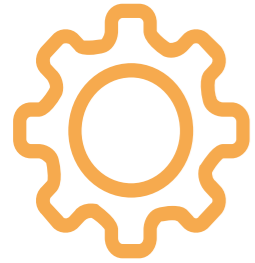
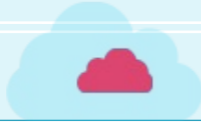




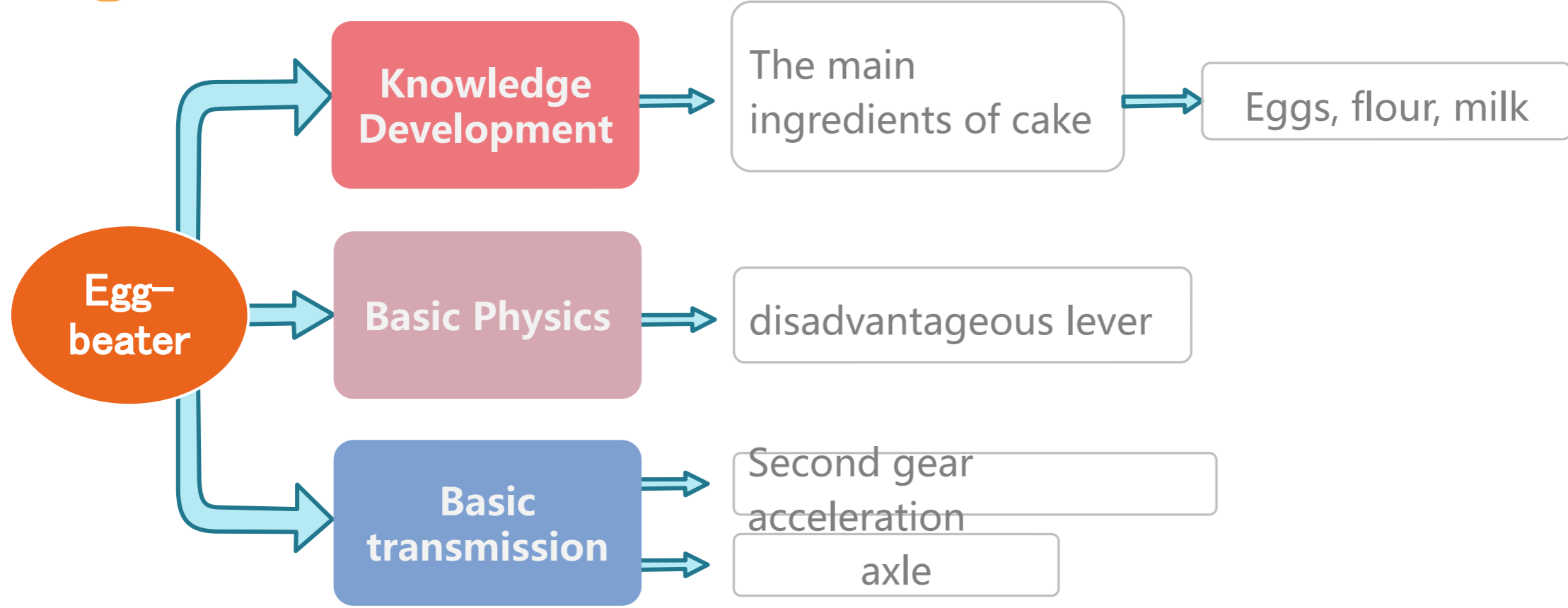








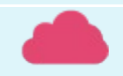
Review





Talk





THANKS

