



Logic

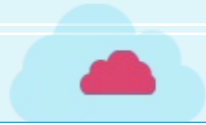
Space



Coding



Focus



Classroom Discipline

01

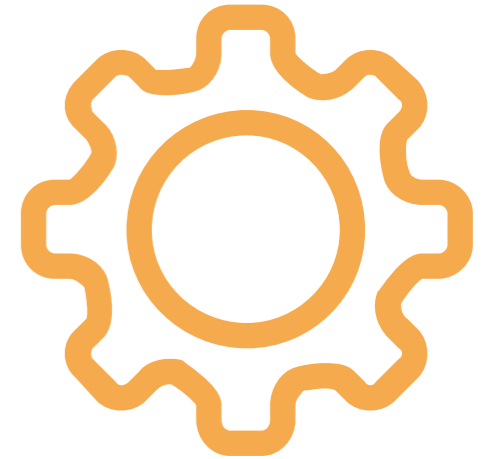
Please sit down and keep quiet in class.

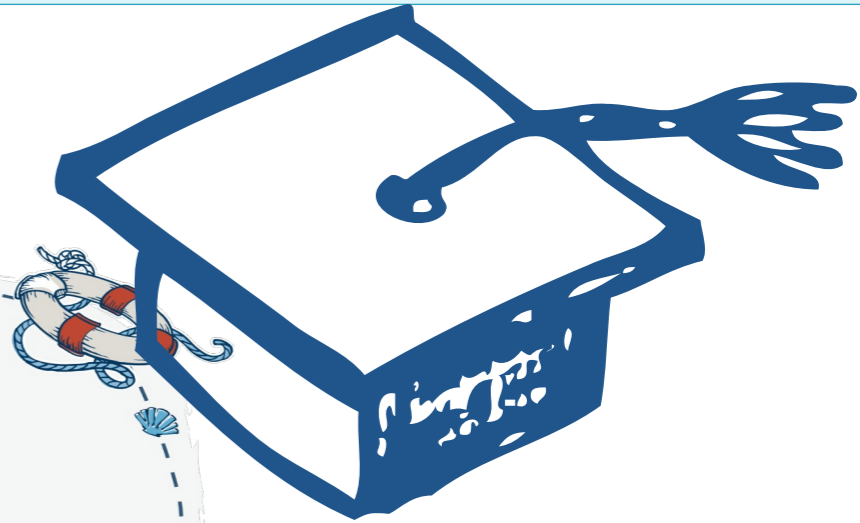
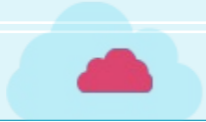
02

Please raise your hand if you have any questions

03

Please observe carefully when the pictures are played.





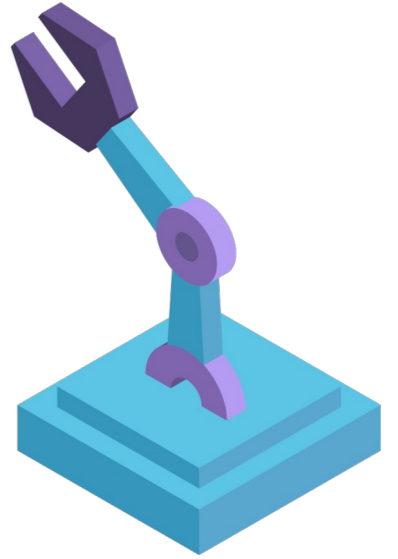
LITTLE CRAB

The Street Sweeper





Think



1. Kids, Do you clean up at school or at home?
2. How to deal with the garbage on streets?

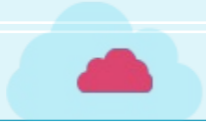


Protecting the environment is everyone's responsibility.



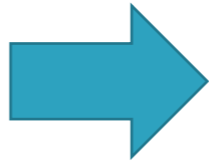
Explore





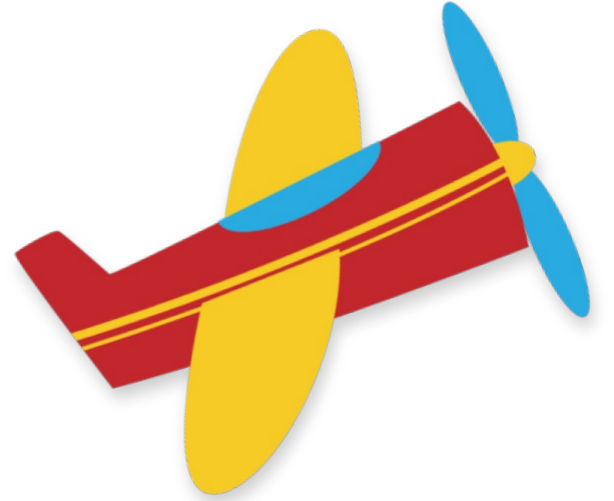
1. Have you ever seen this kind of car?

2. How does this sweeper work?



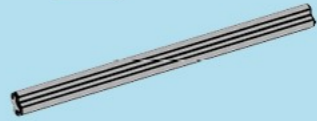


Build





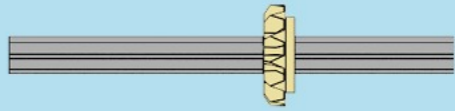
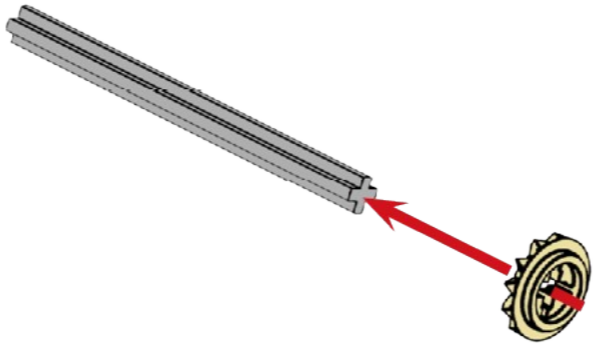
7



x1

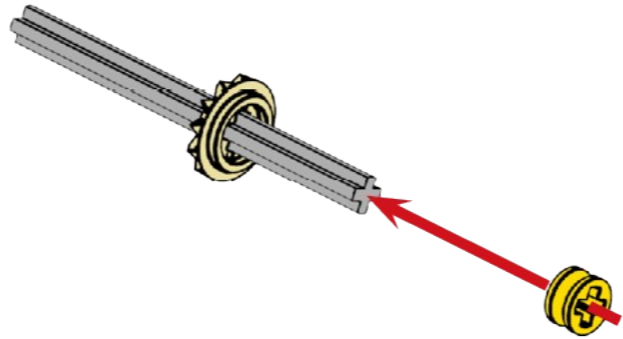


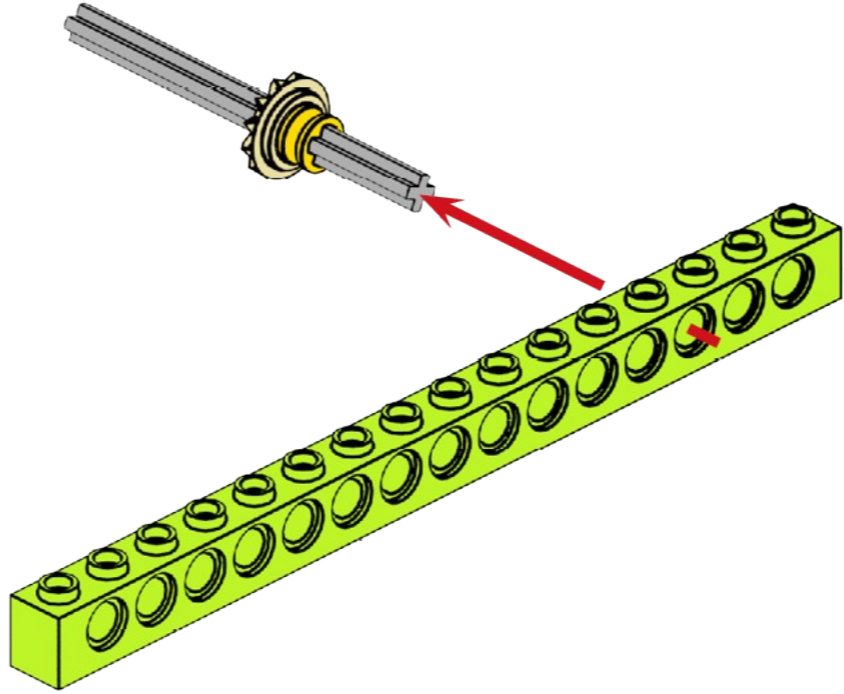
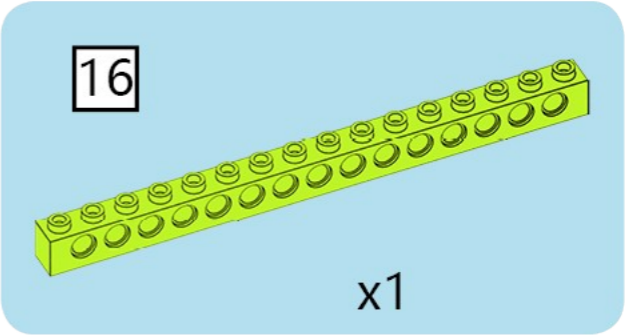
x1

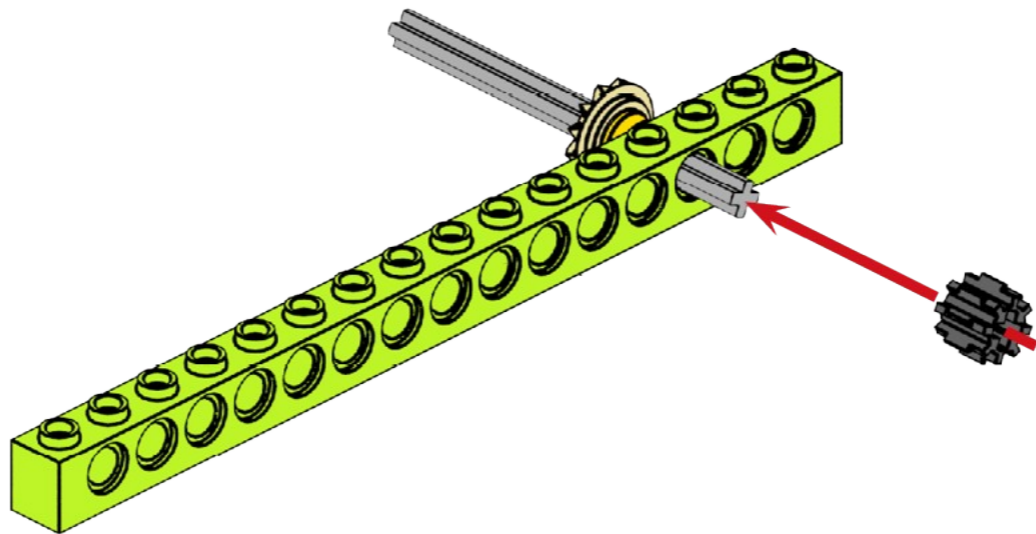
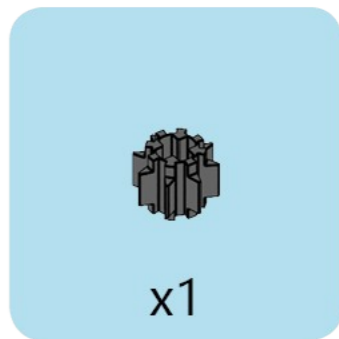


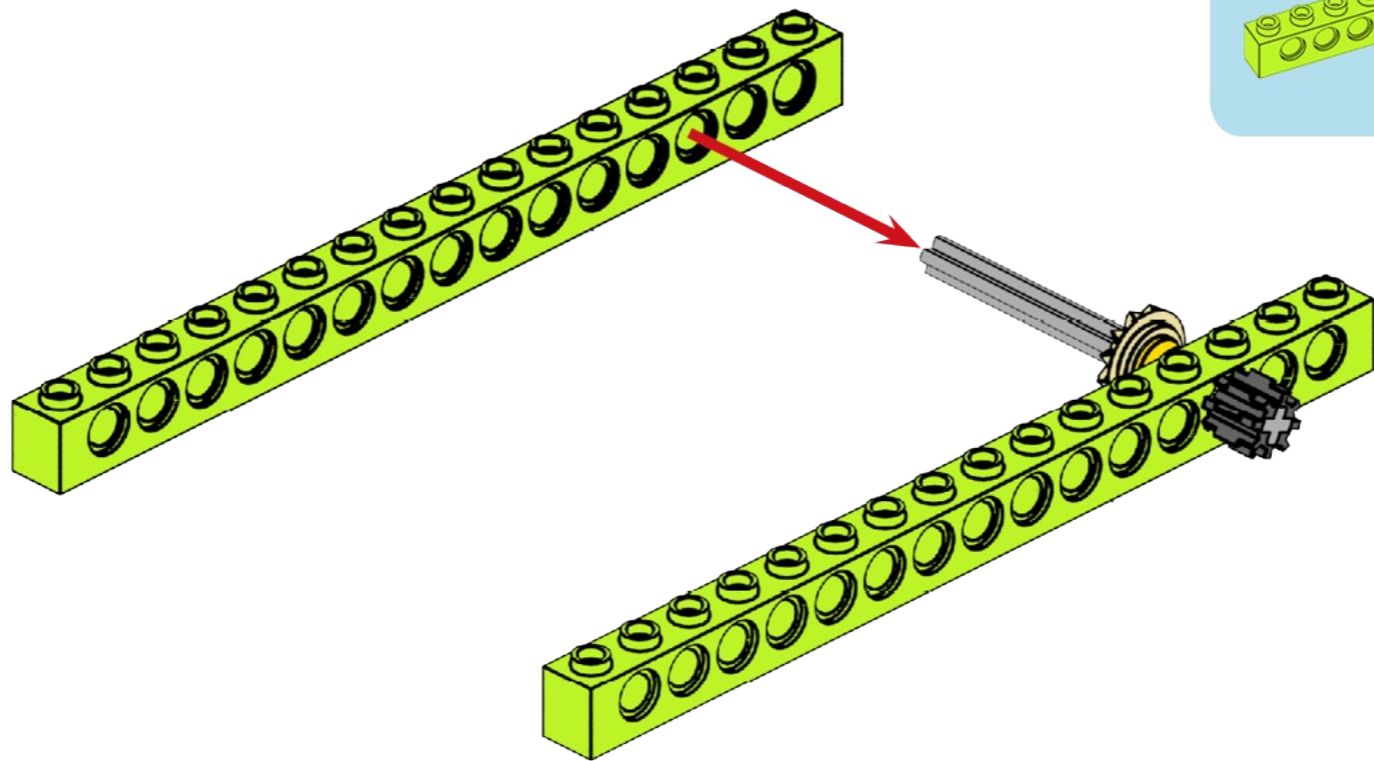


x1

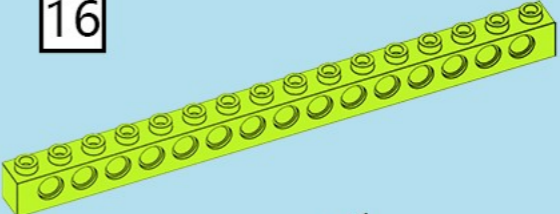




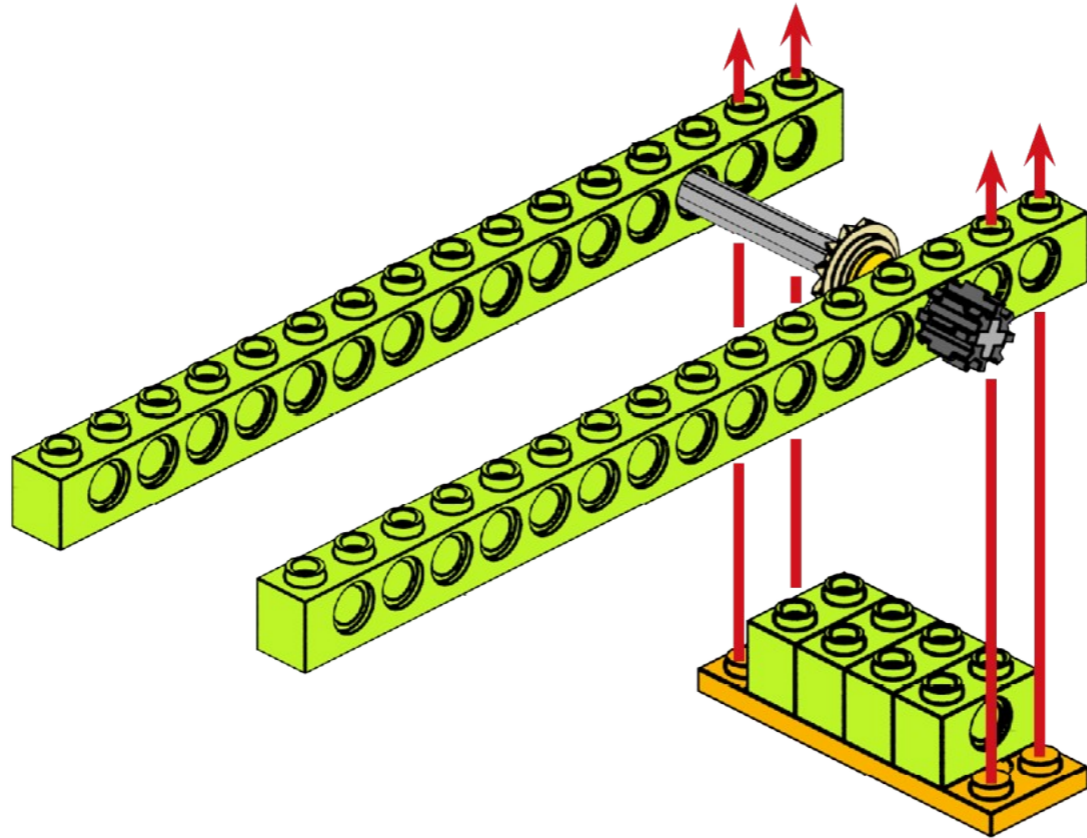




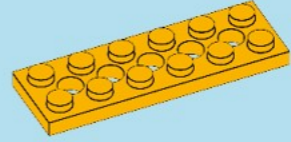
16



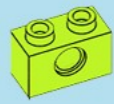
x1



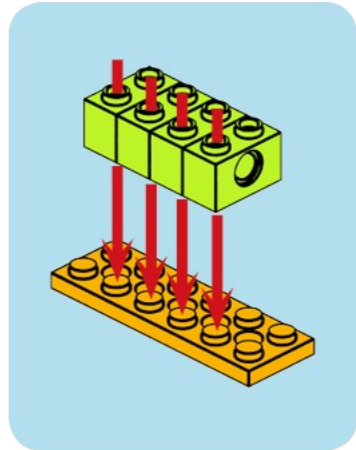
2x6

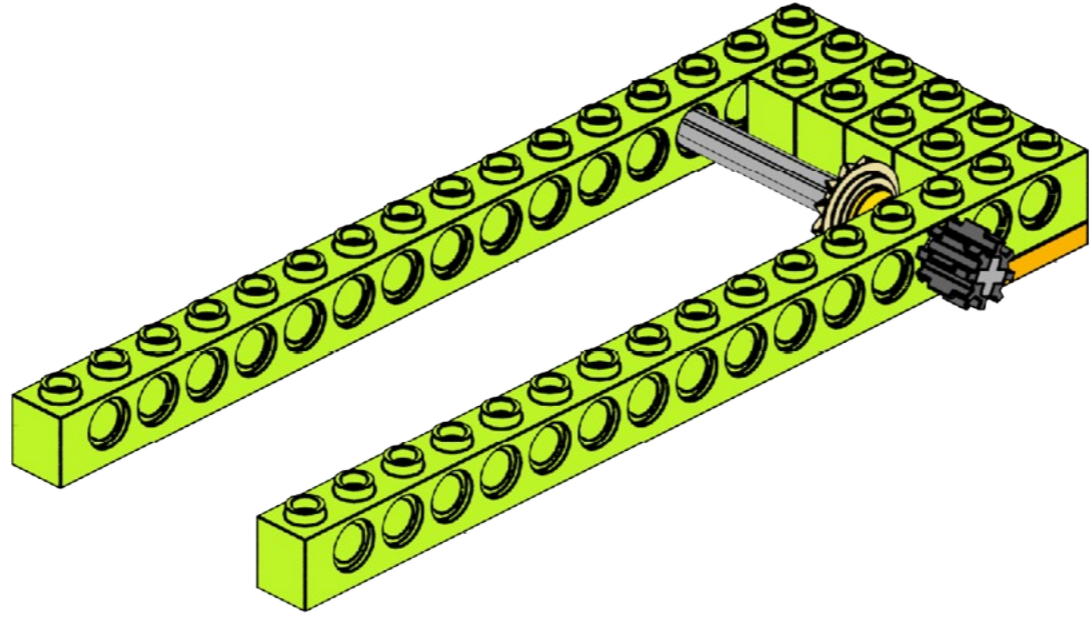


x1



x4







10

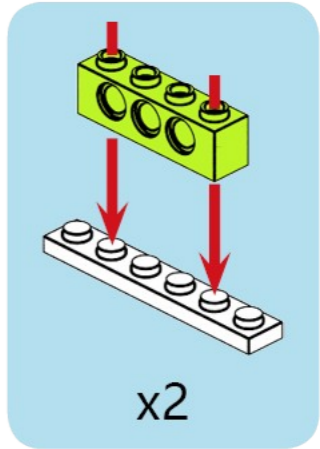
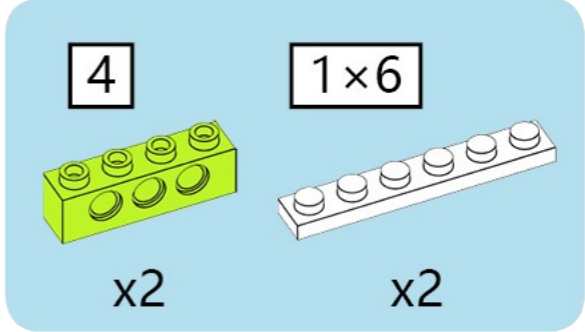
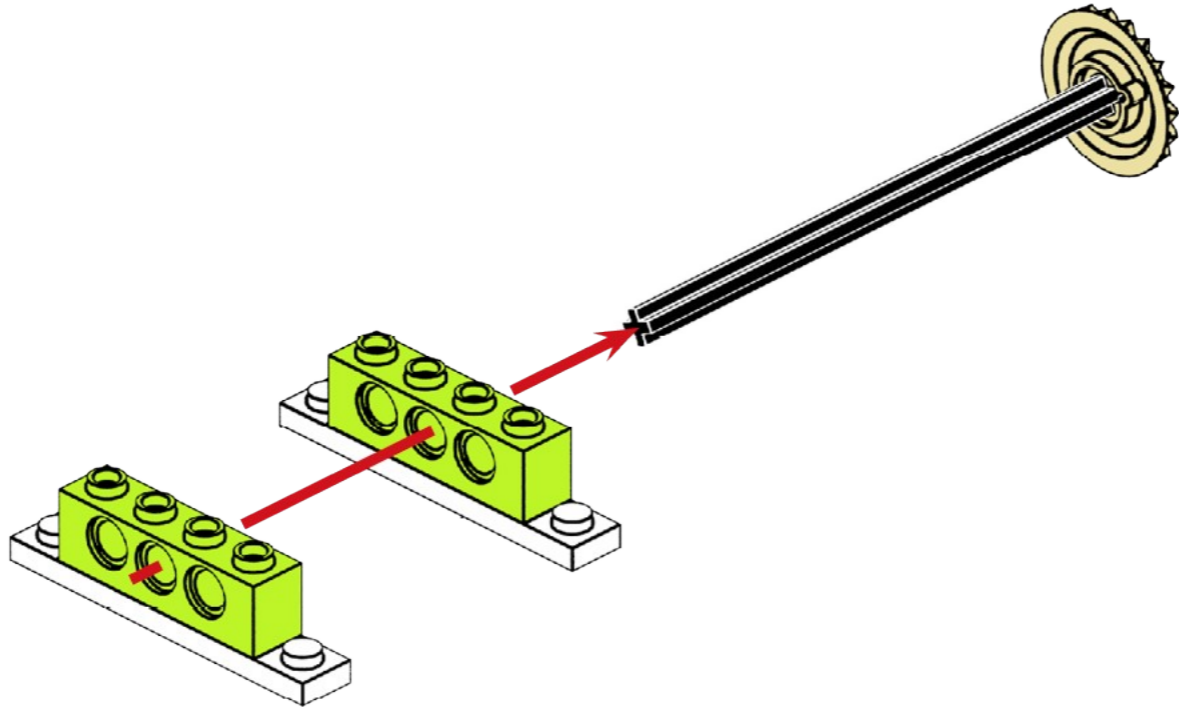


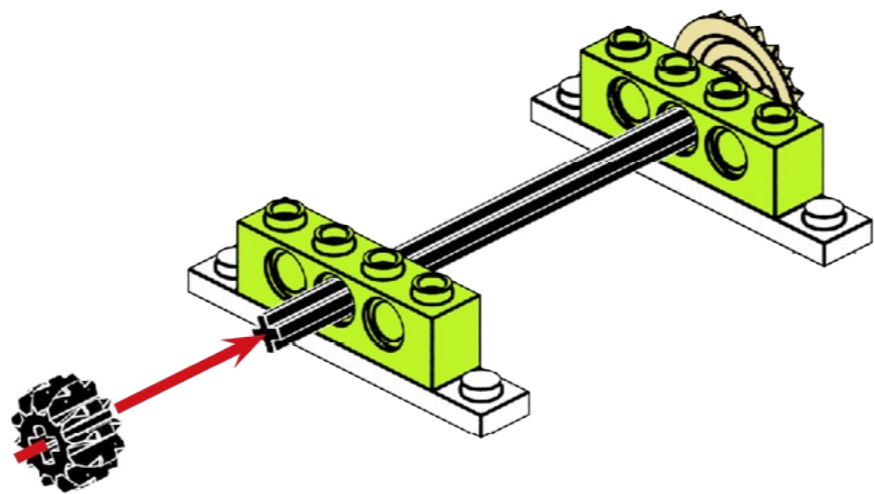
x1



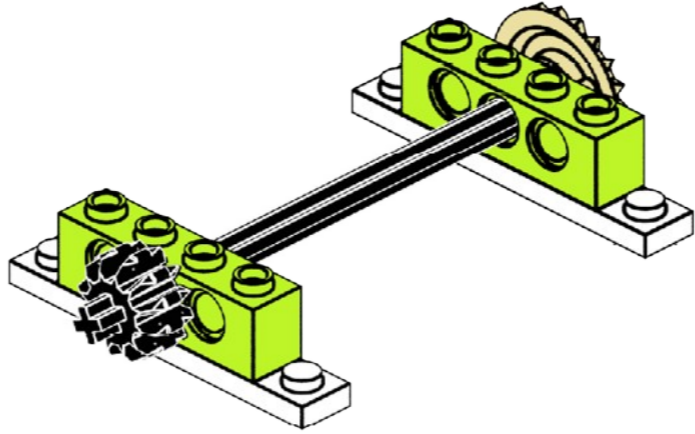
x1

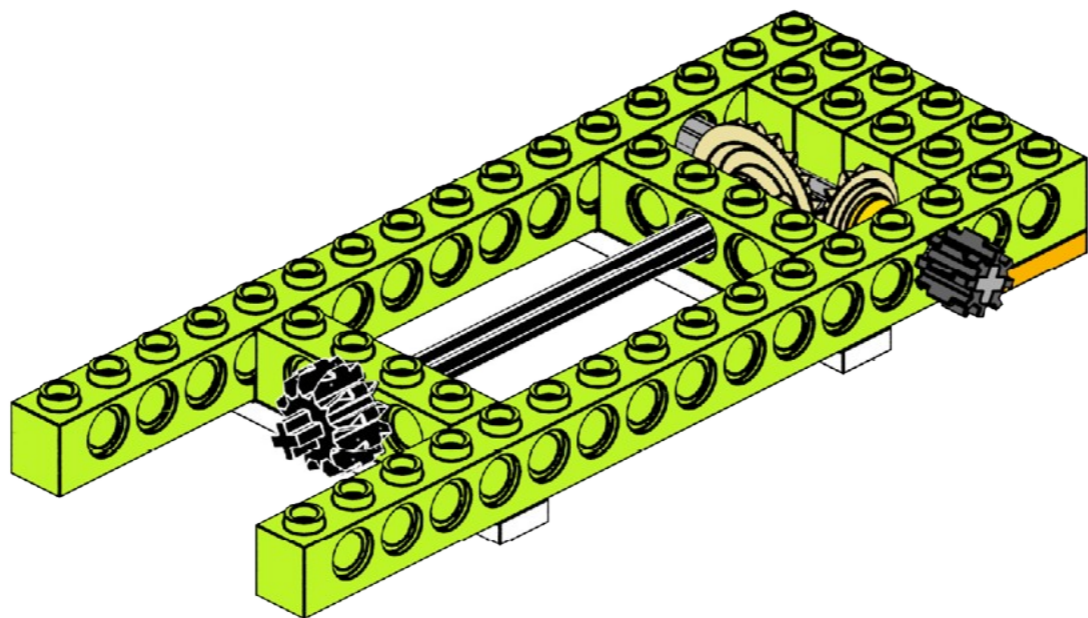


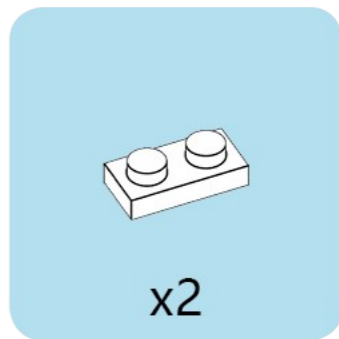
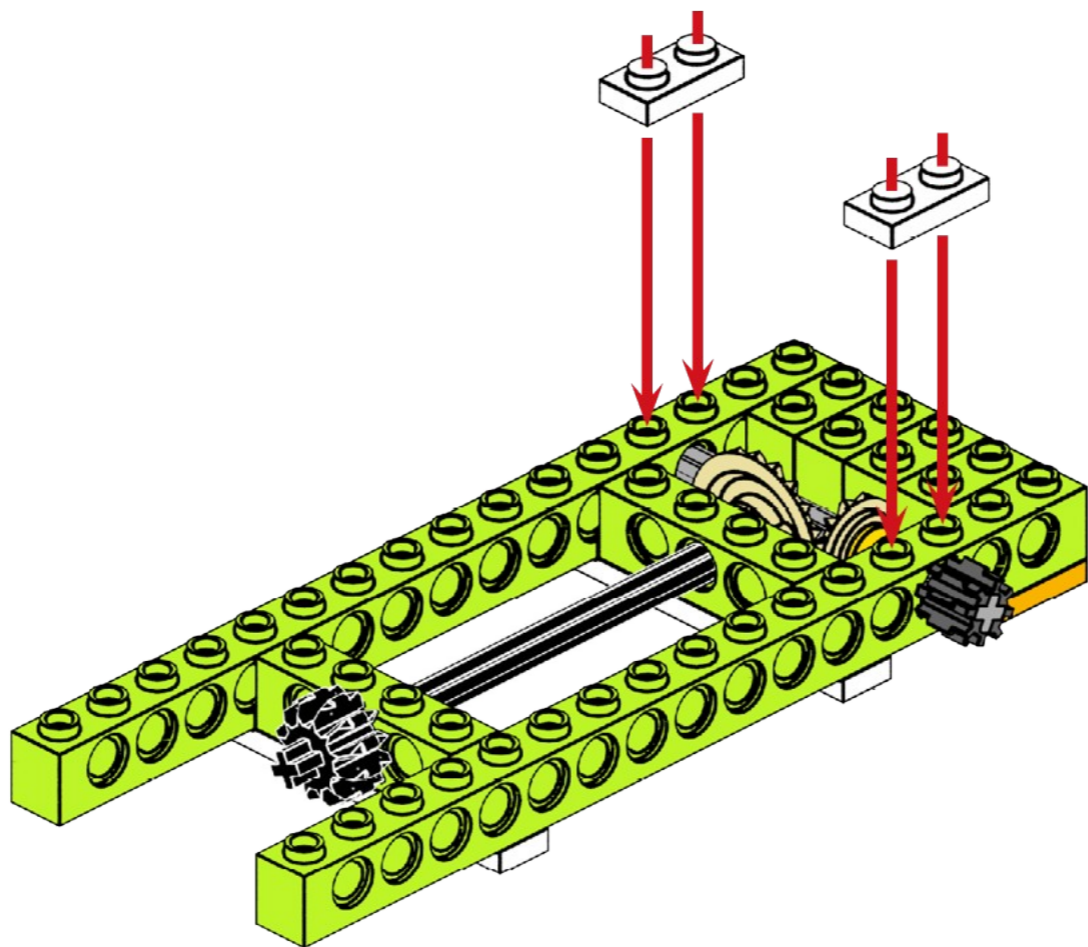


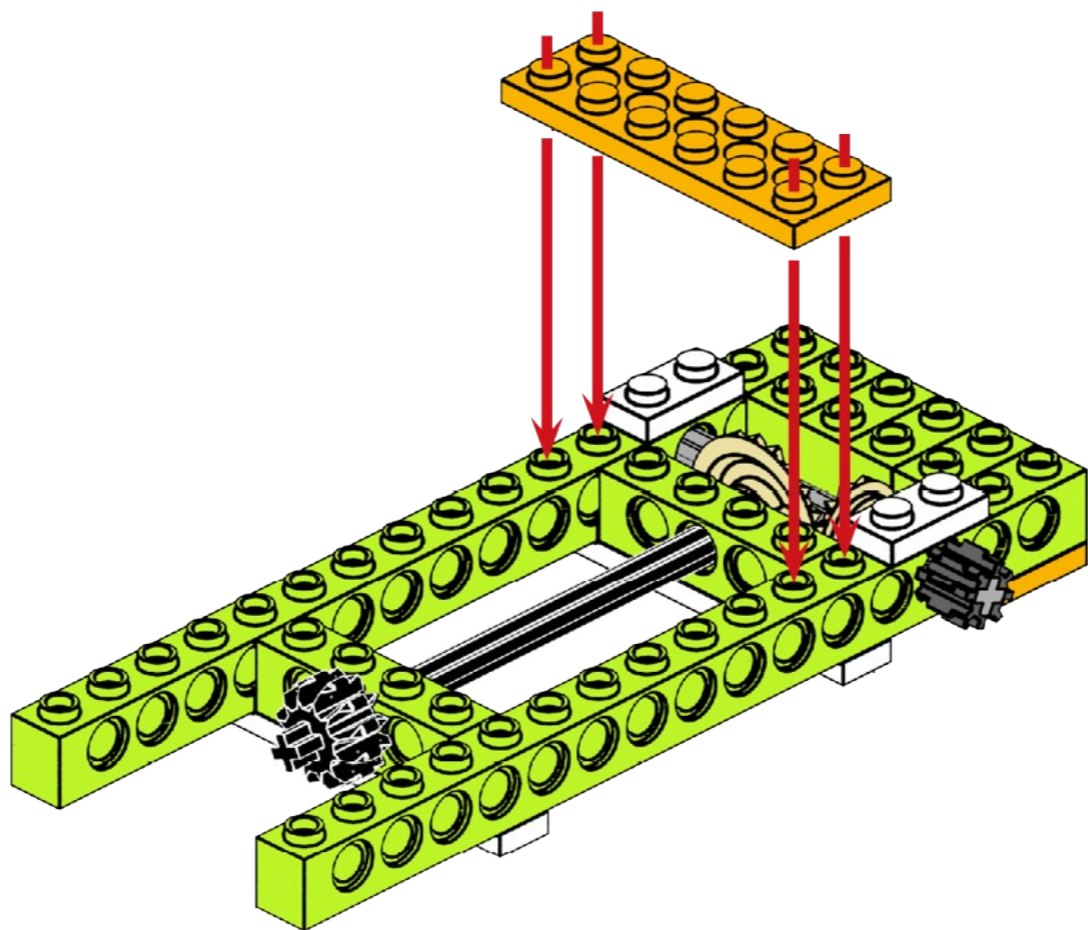


x1

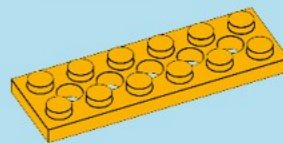




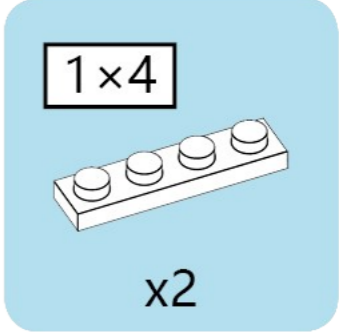
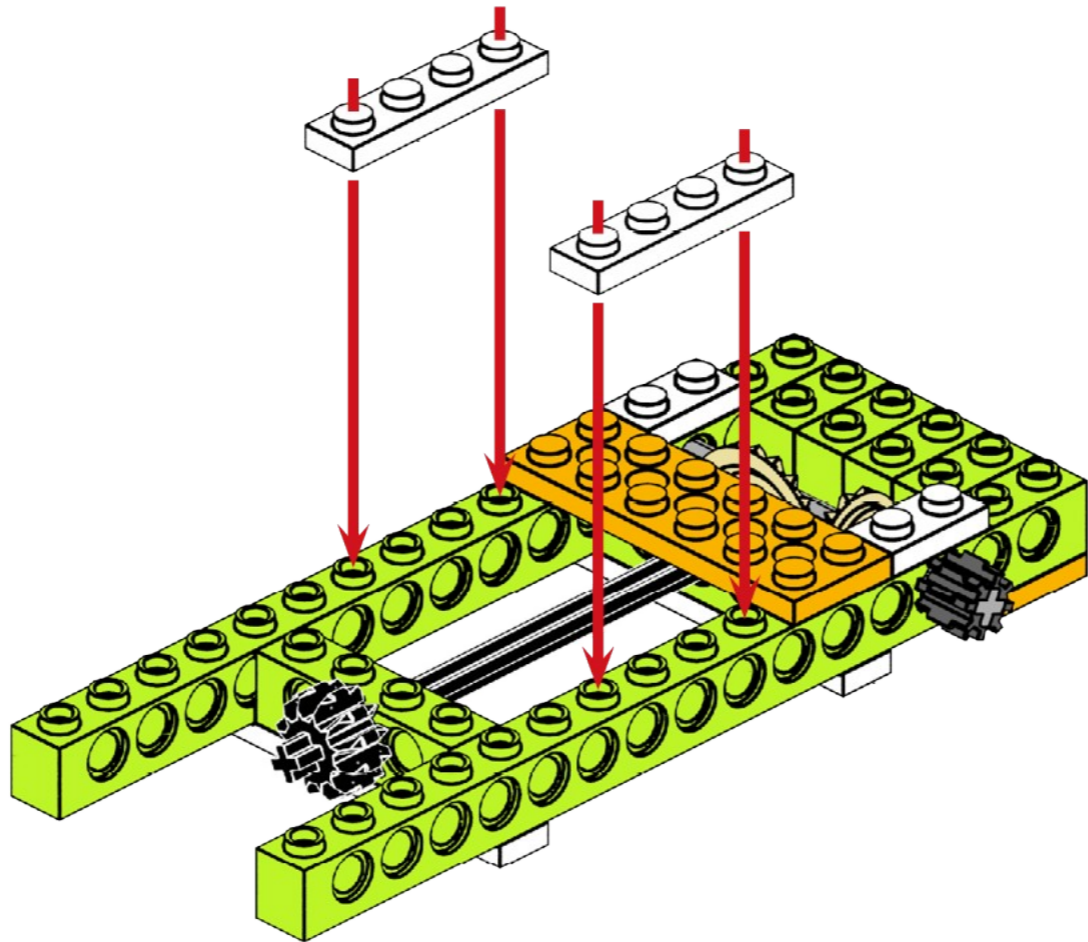


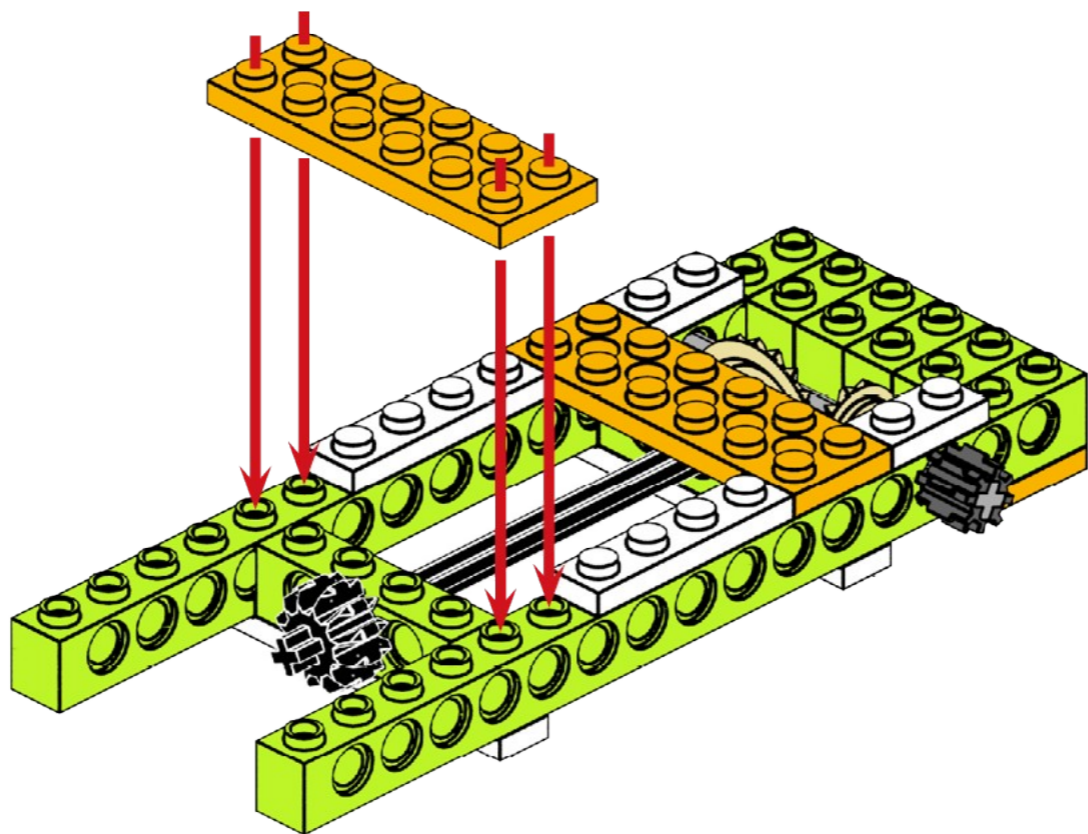


2x6

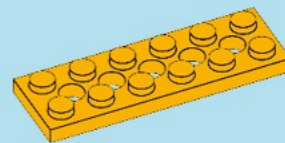


x1

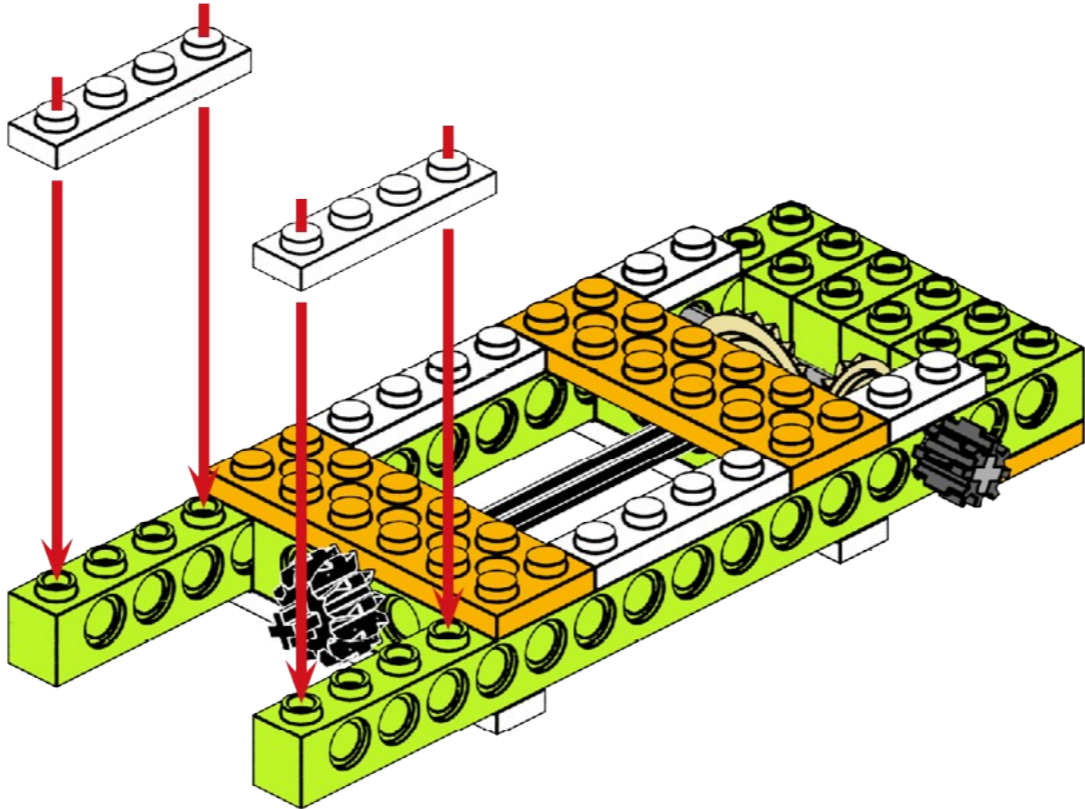




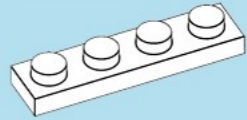
2x6



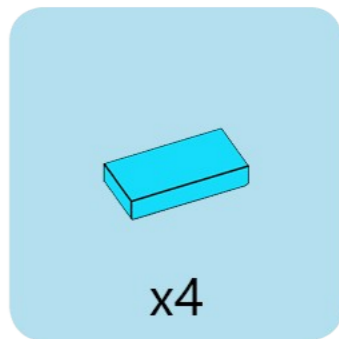
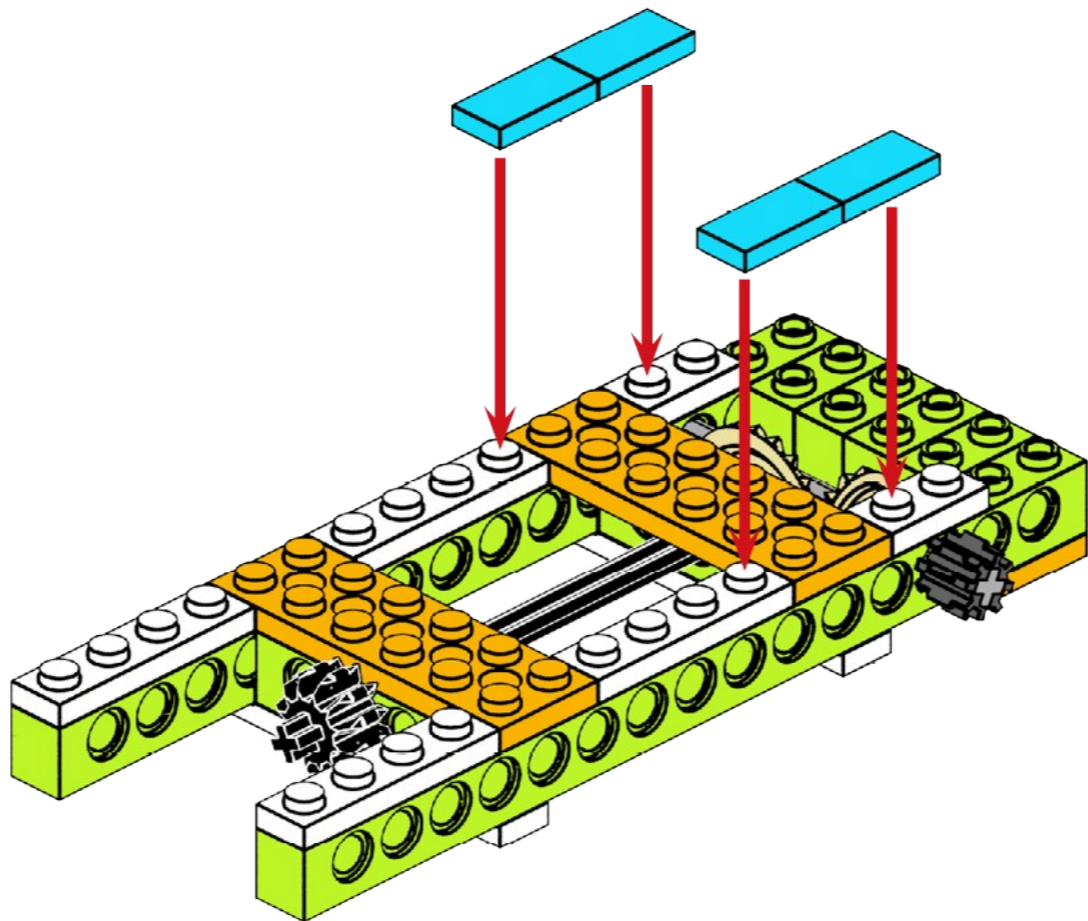
x1

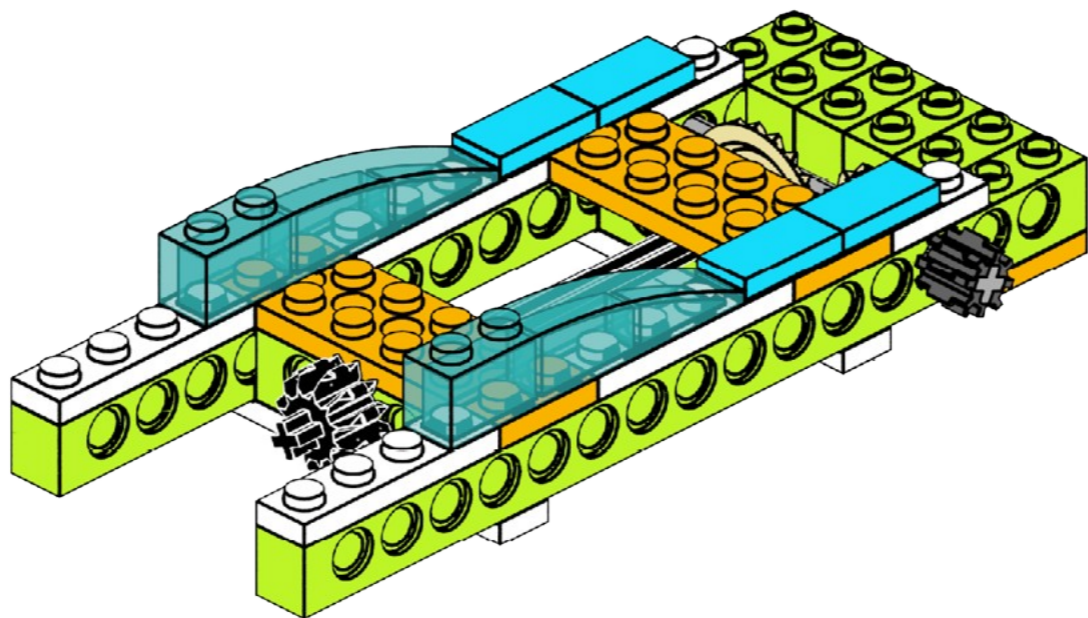


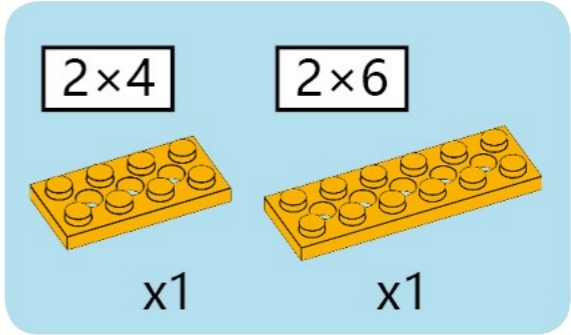
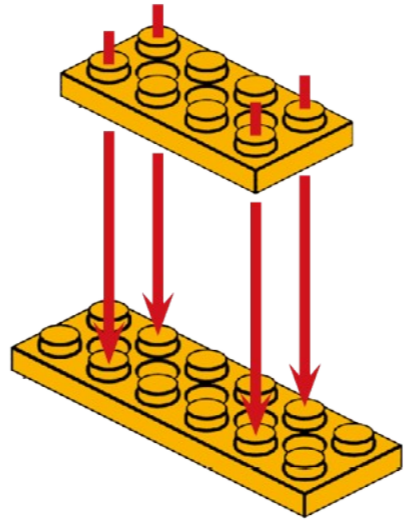
1x4

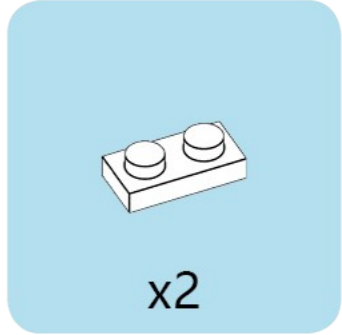
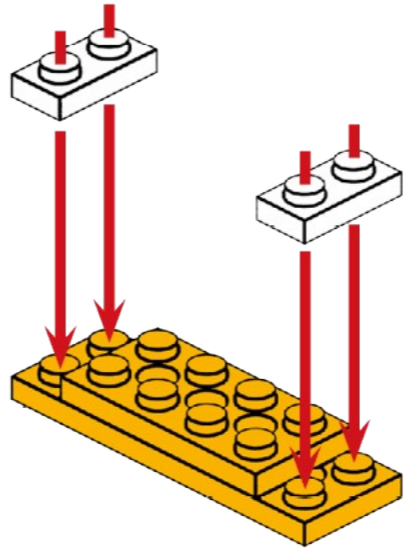


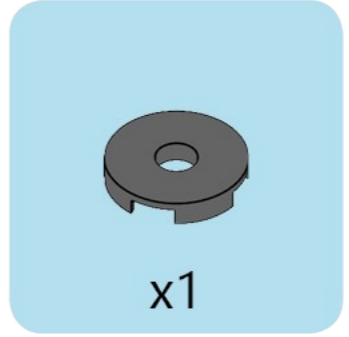
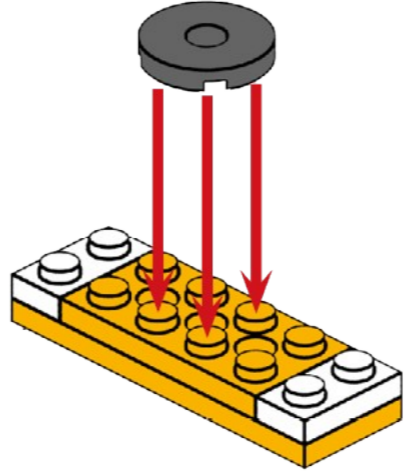
x2

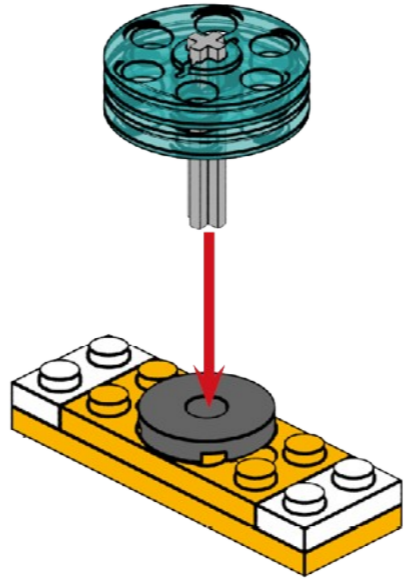









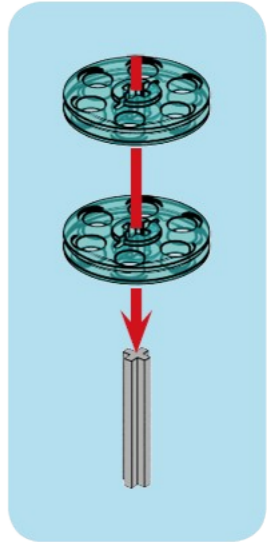


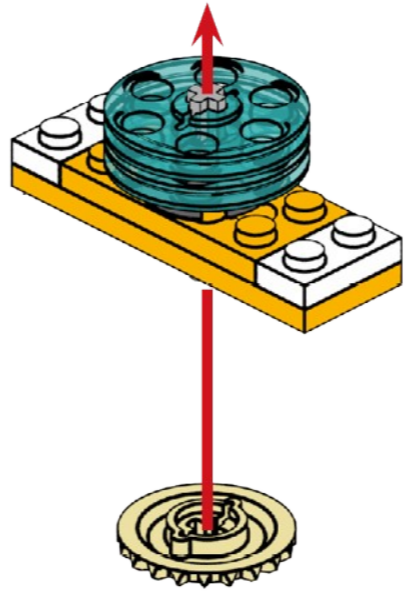
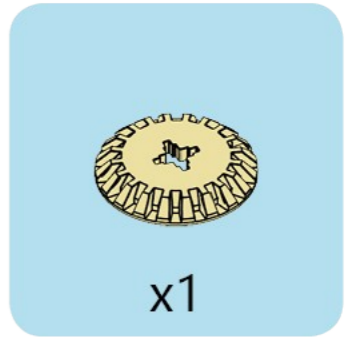


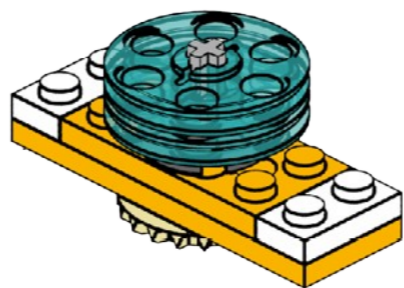
3

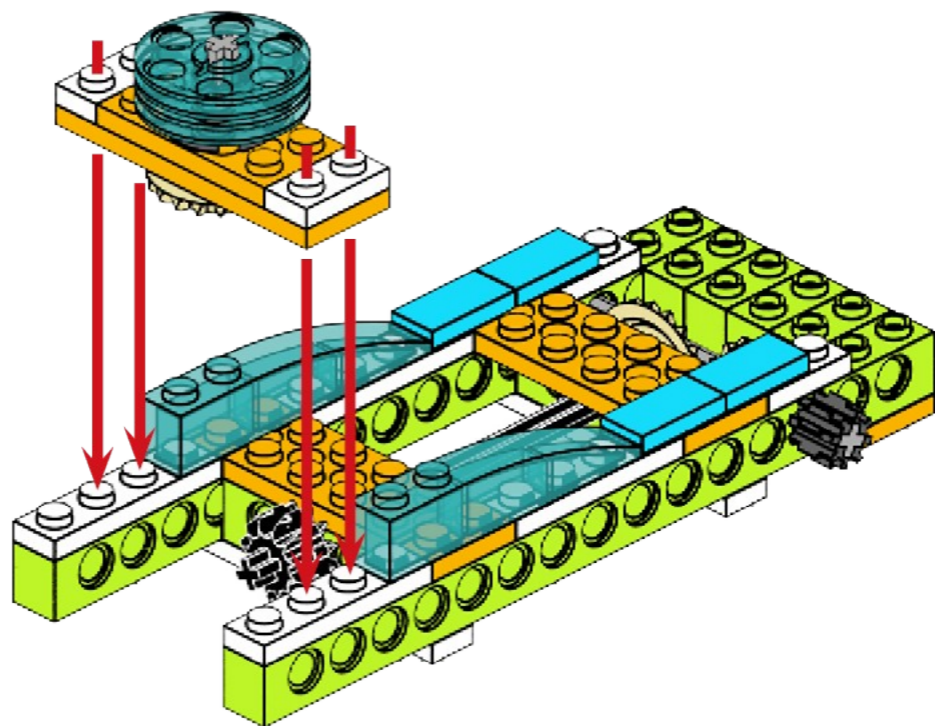


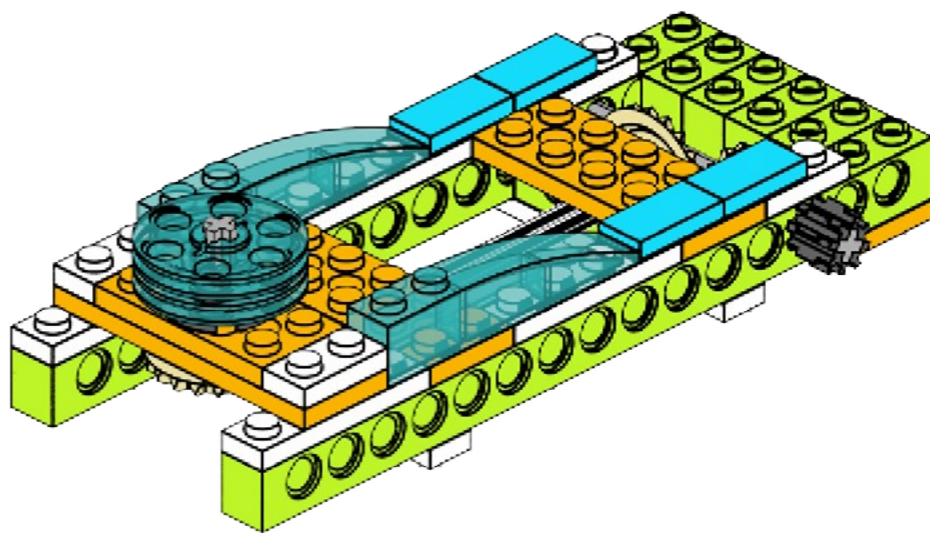
x1 x2

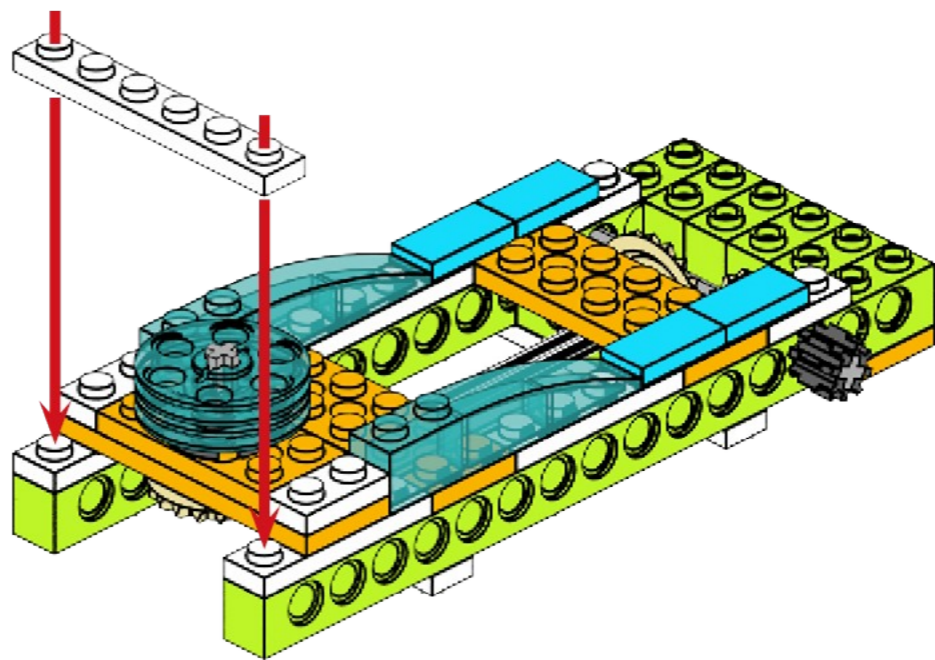




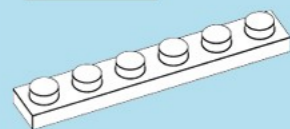




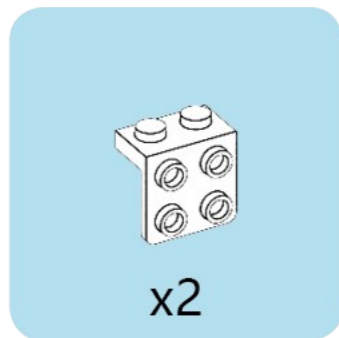
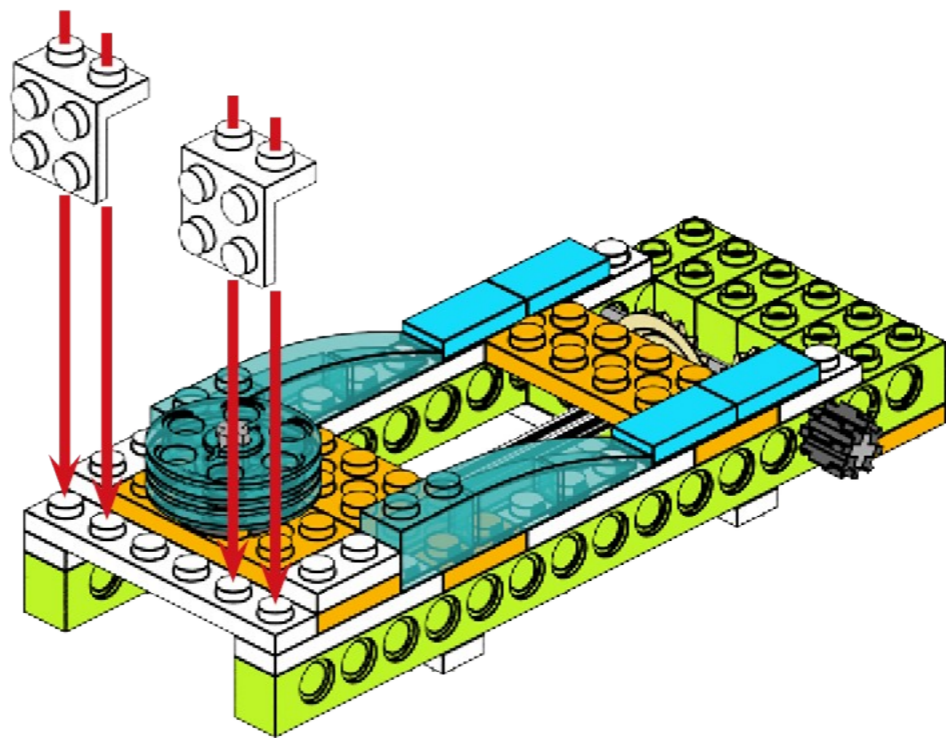


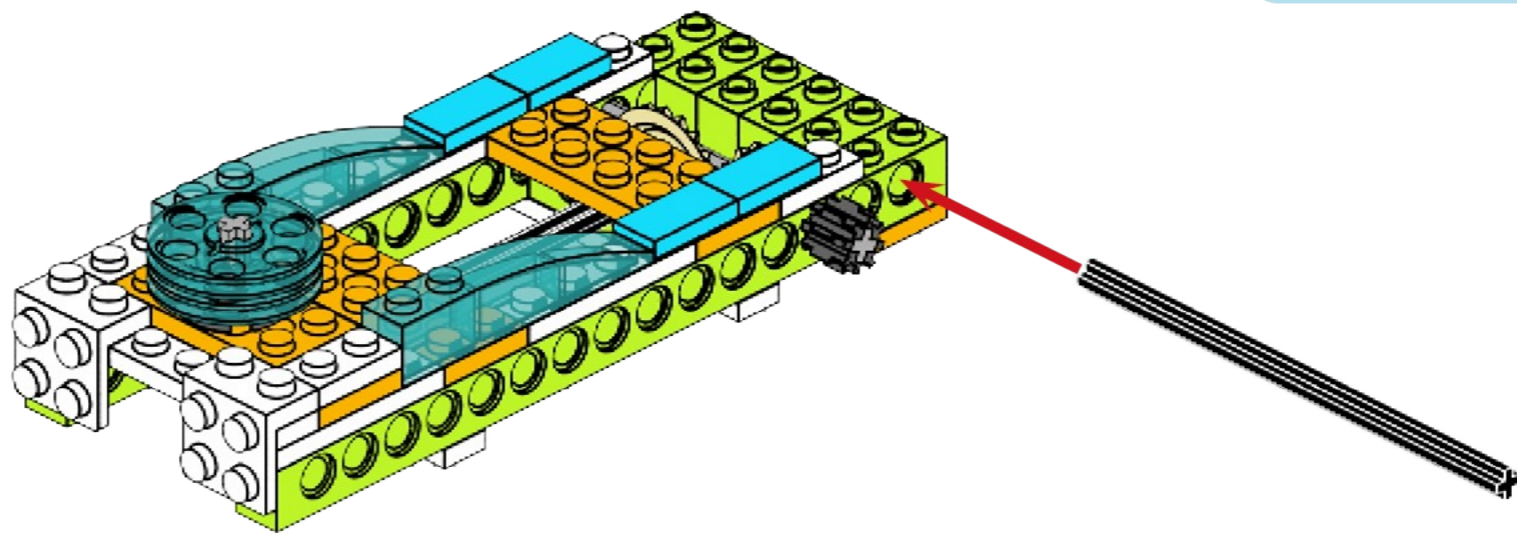
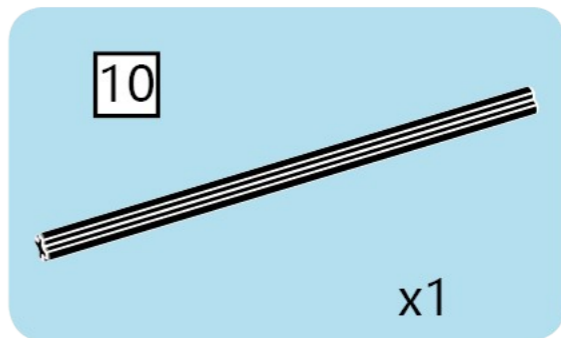


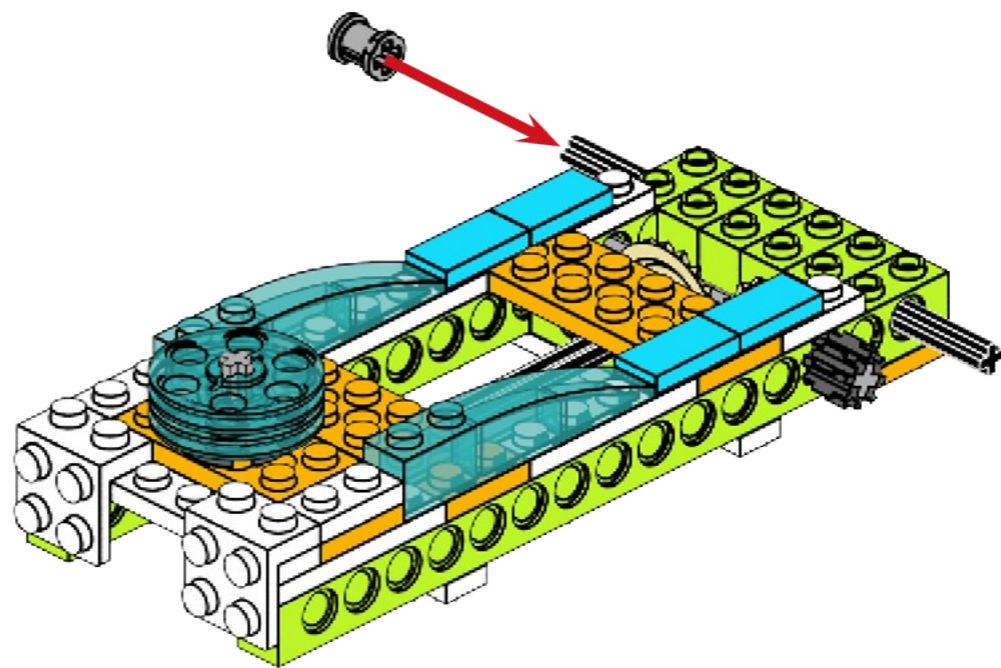
1x6



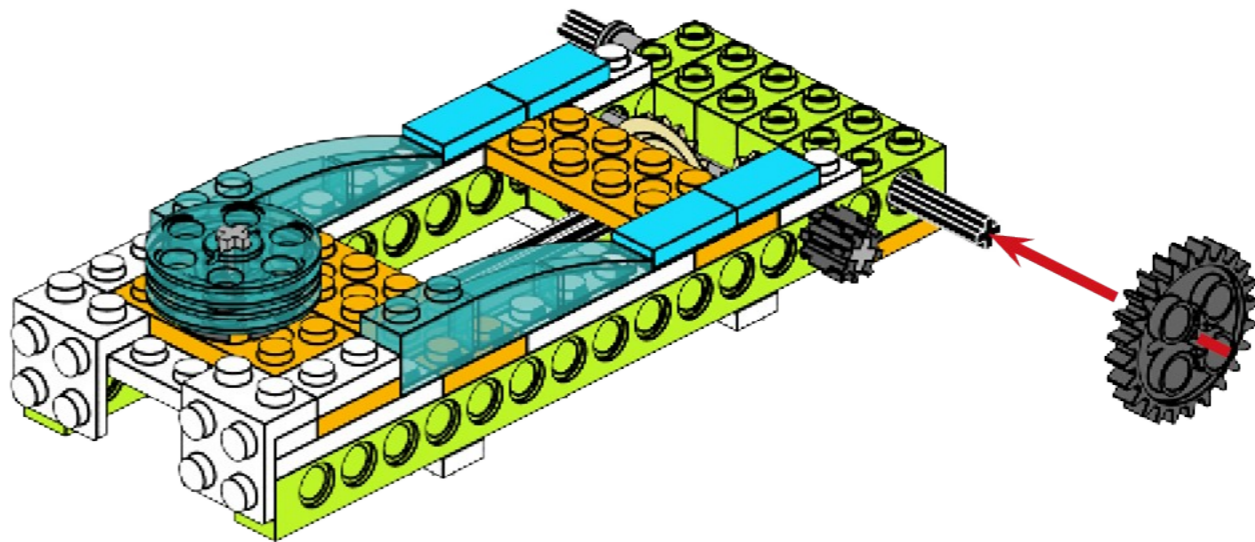
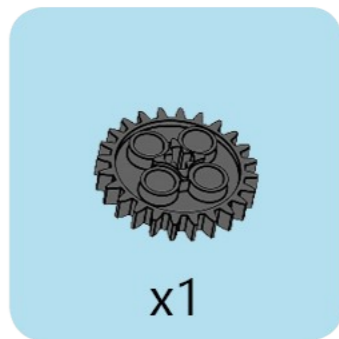
x1

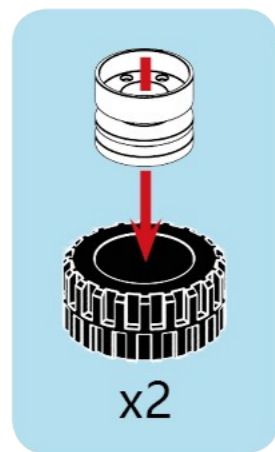
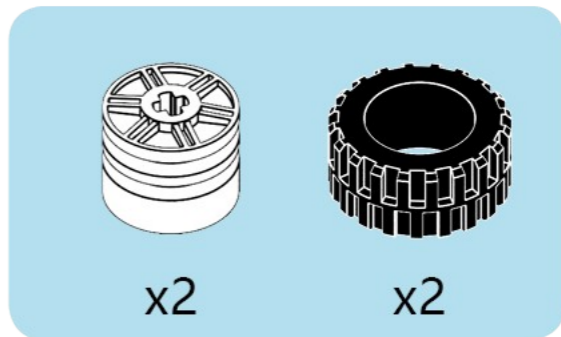
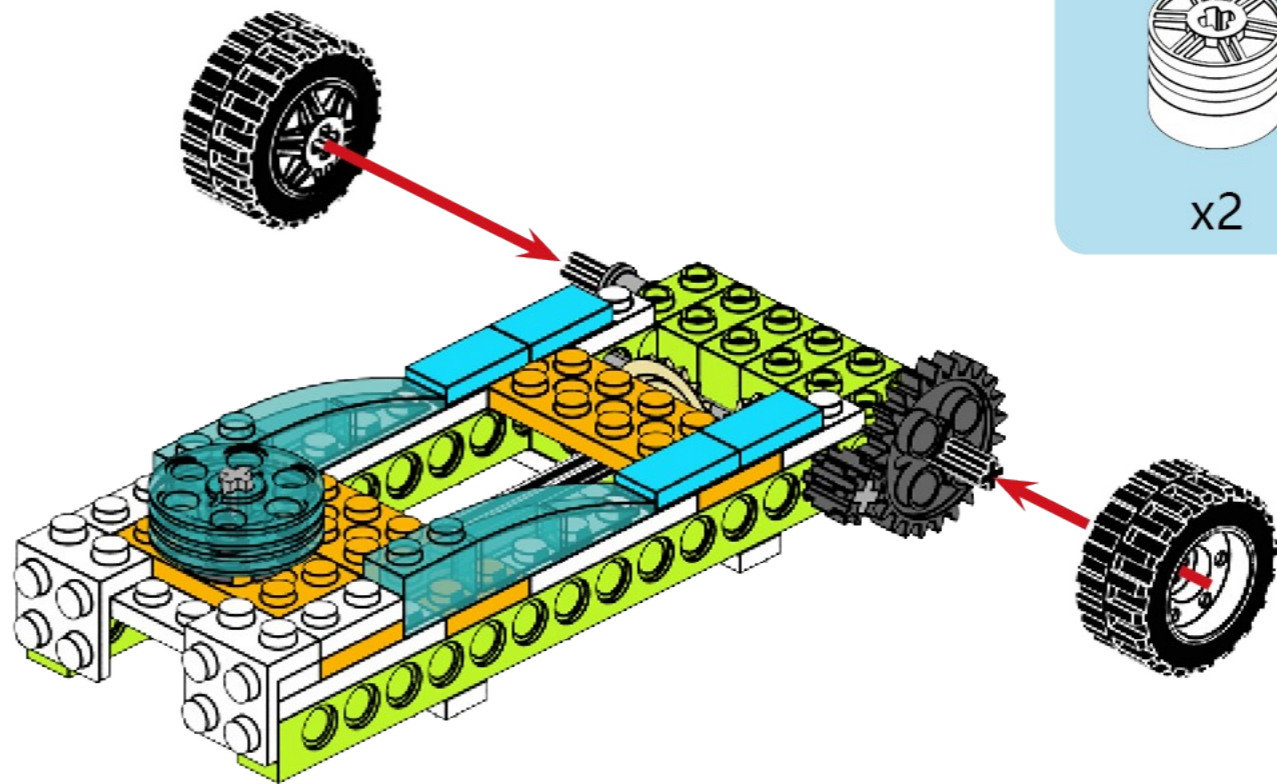


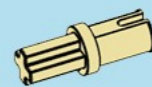
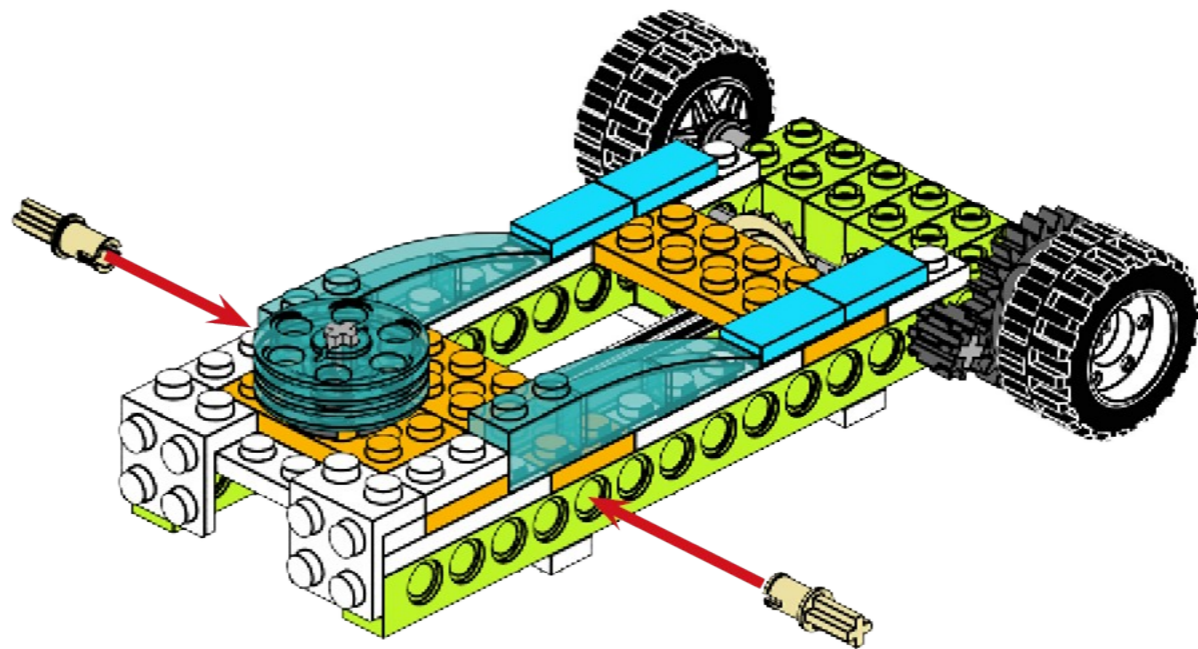




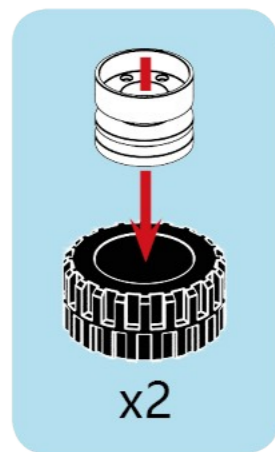
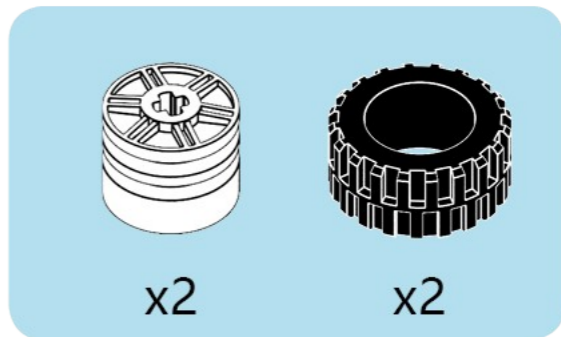
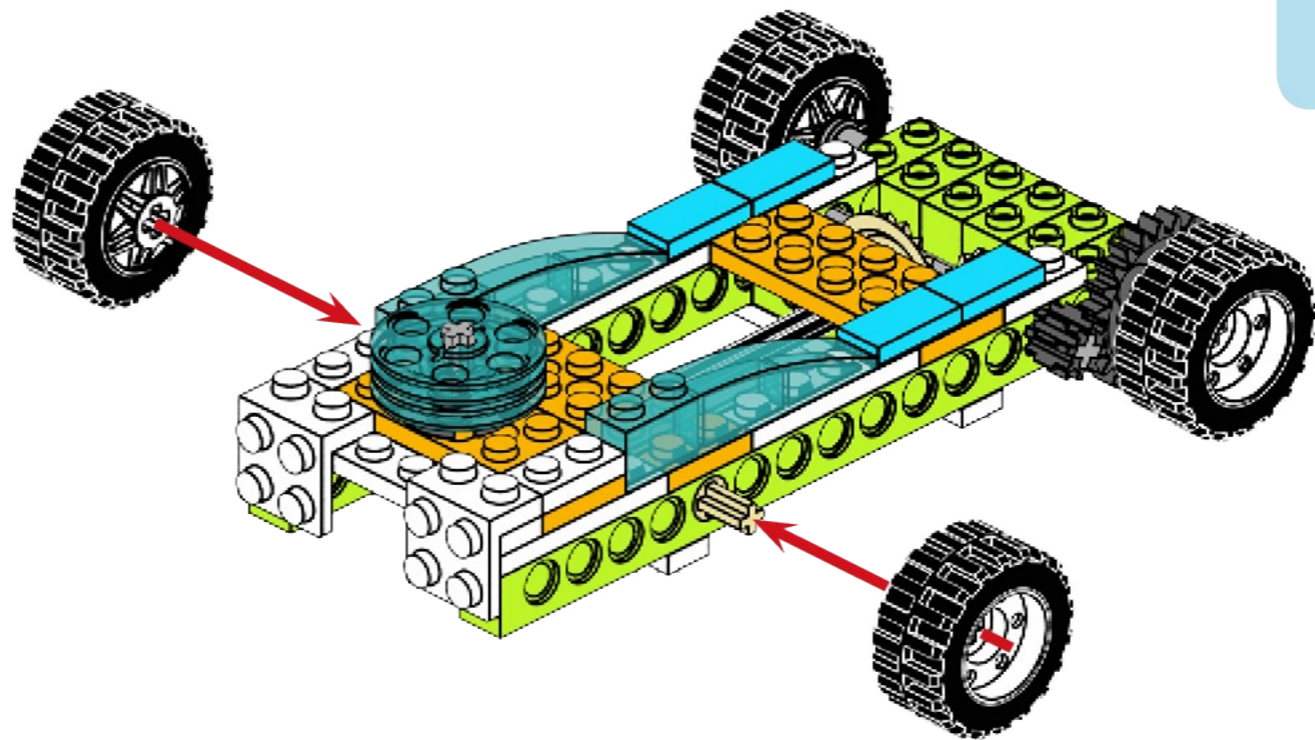
x1

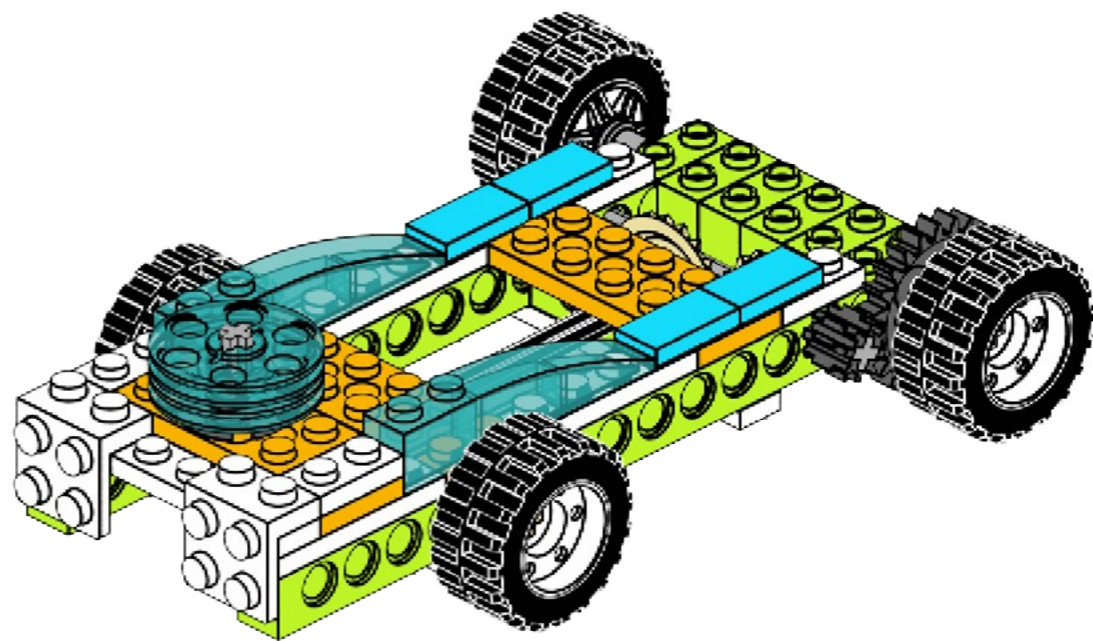






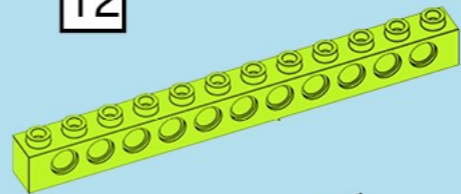
x2





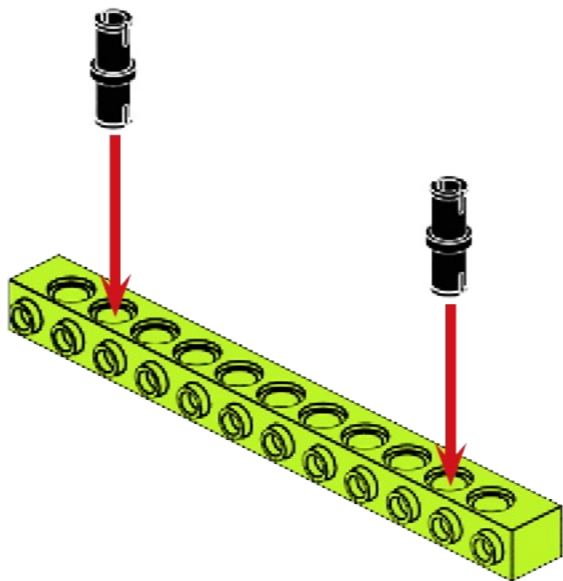


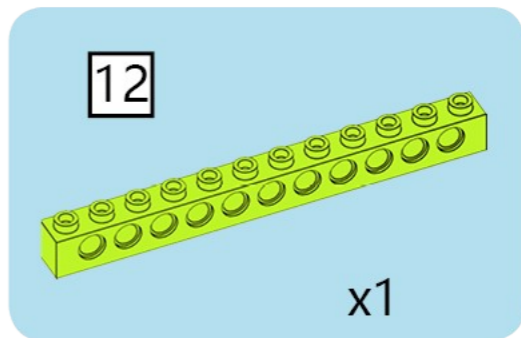
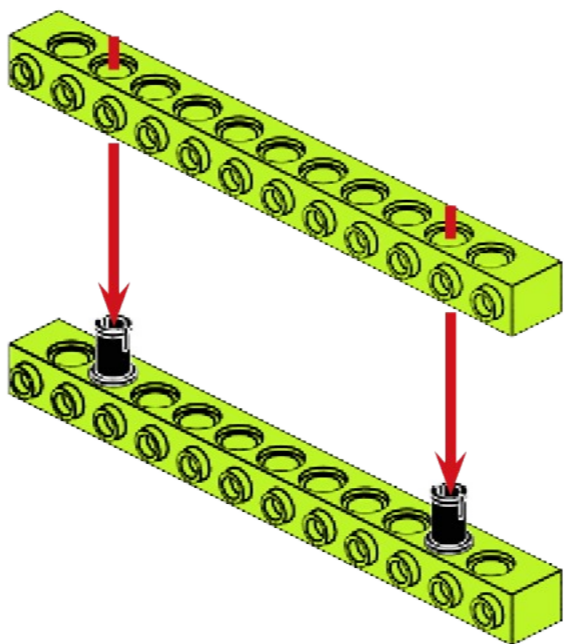
12

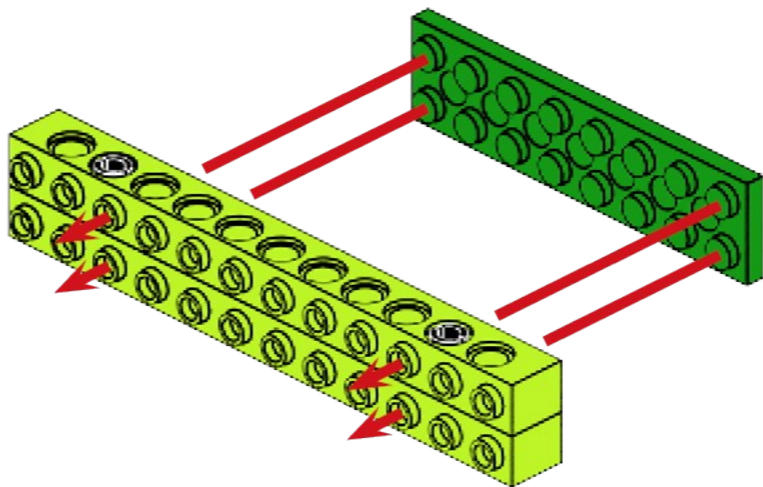
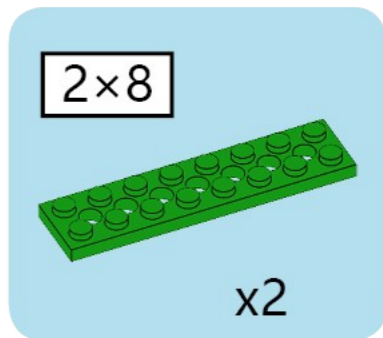


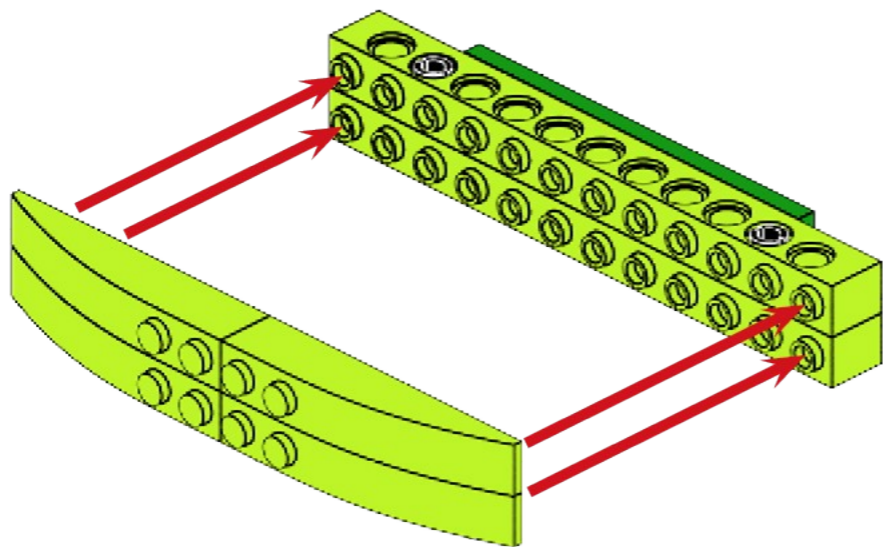
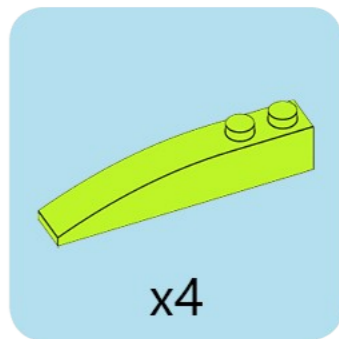
x1

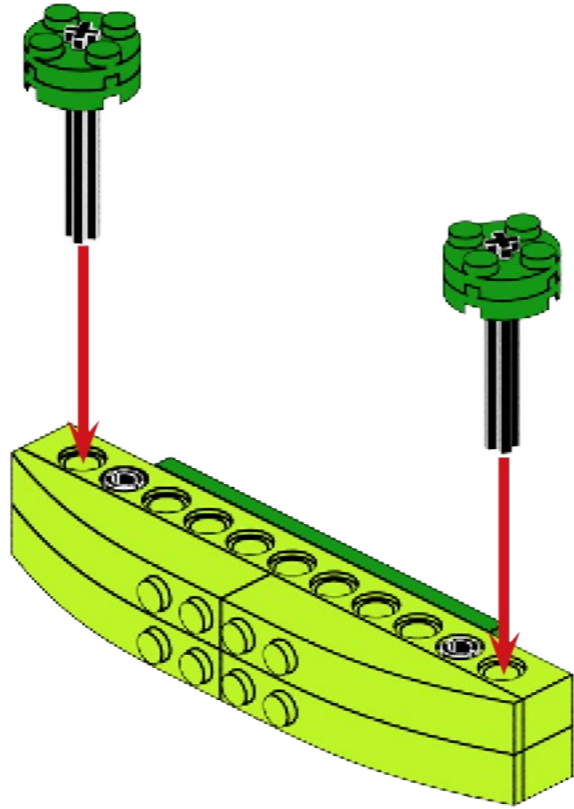
x2













4



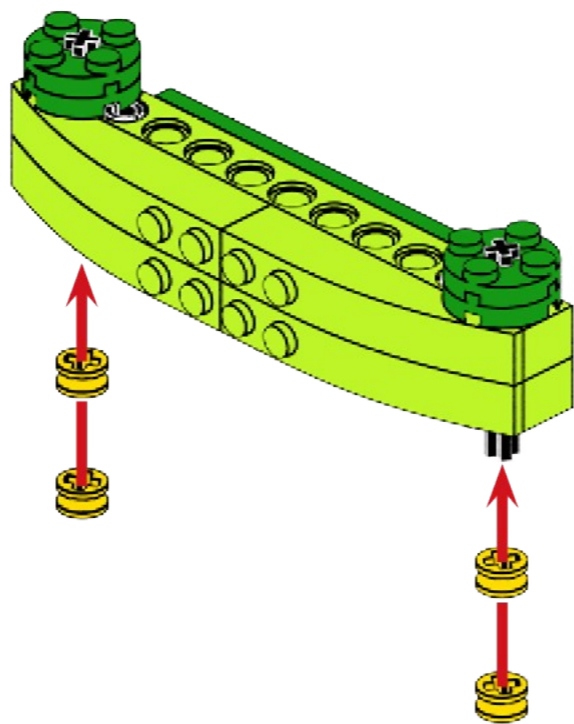
x2 x4

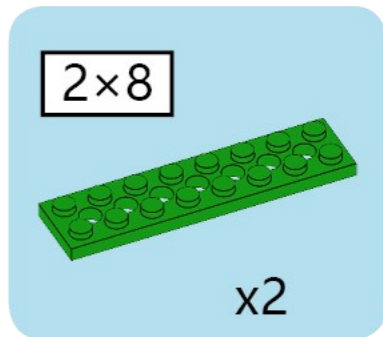
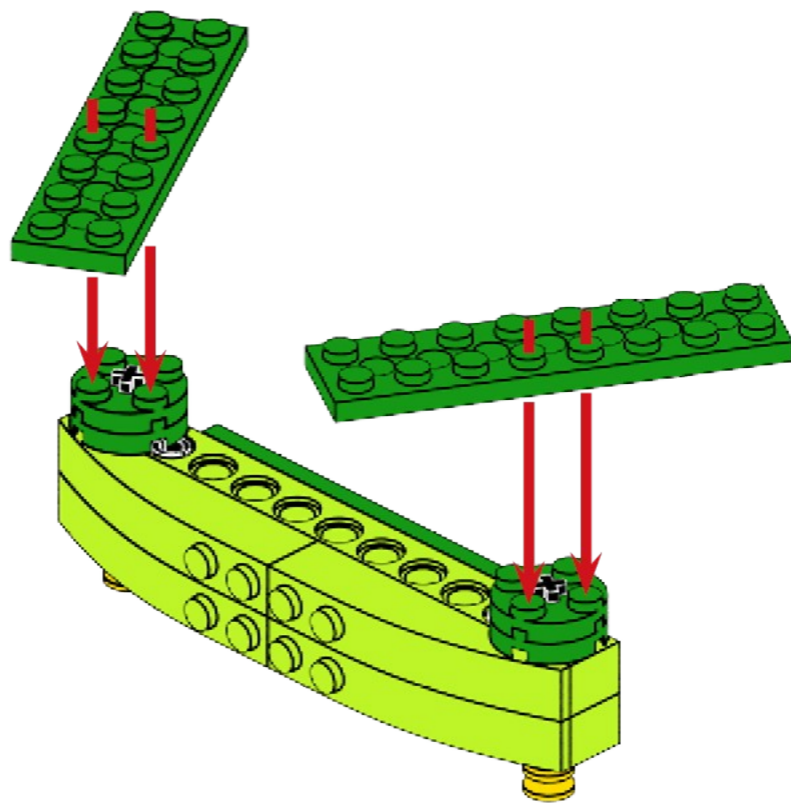


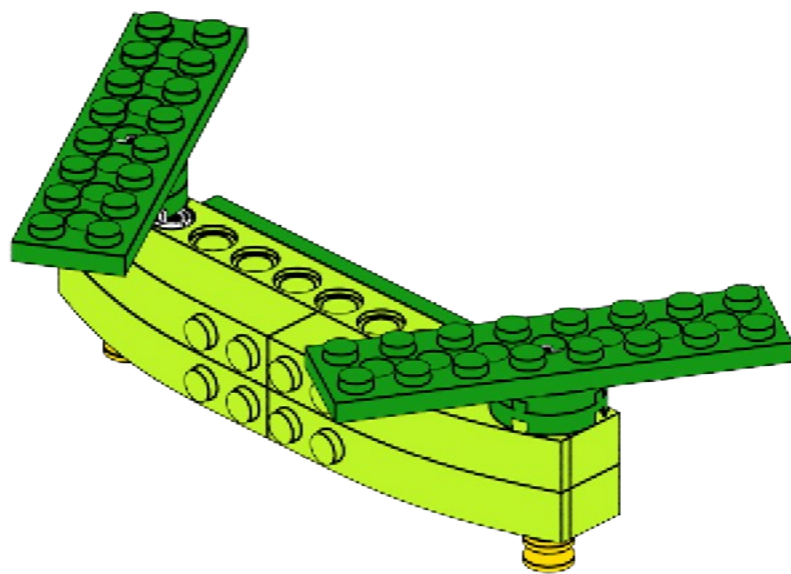
x2

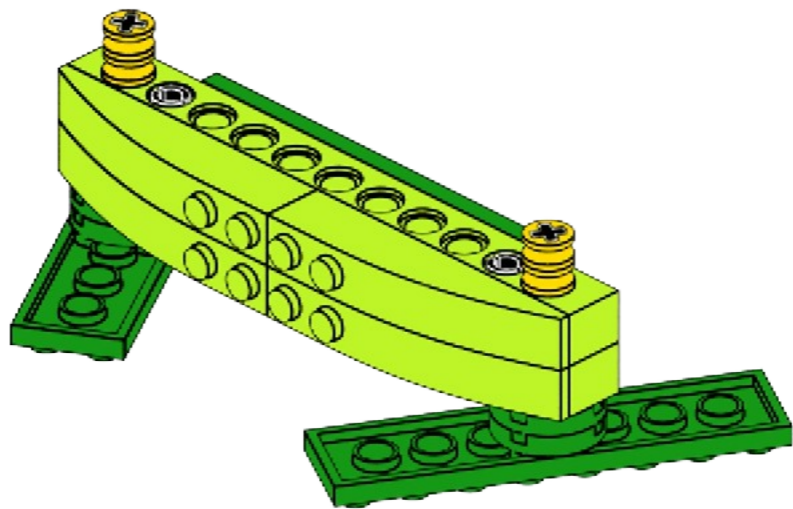


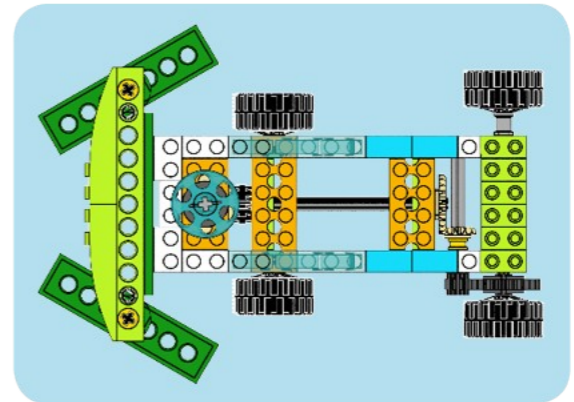
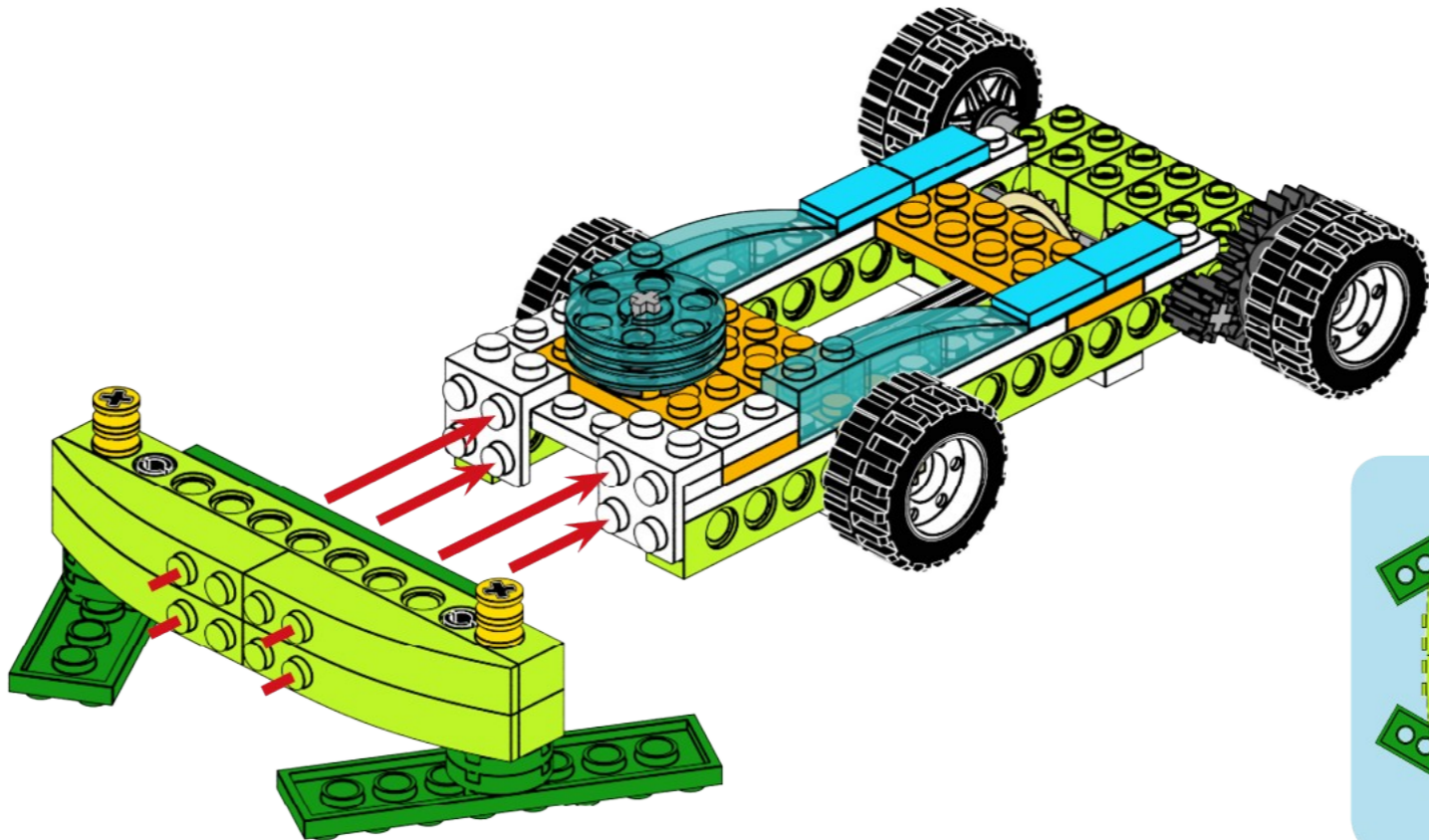
x4

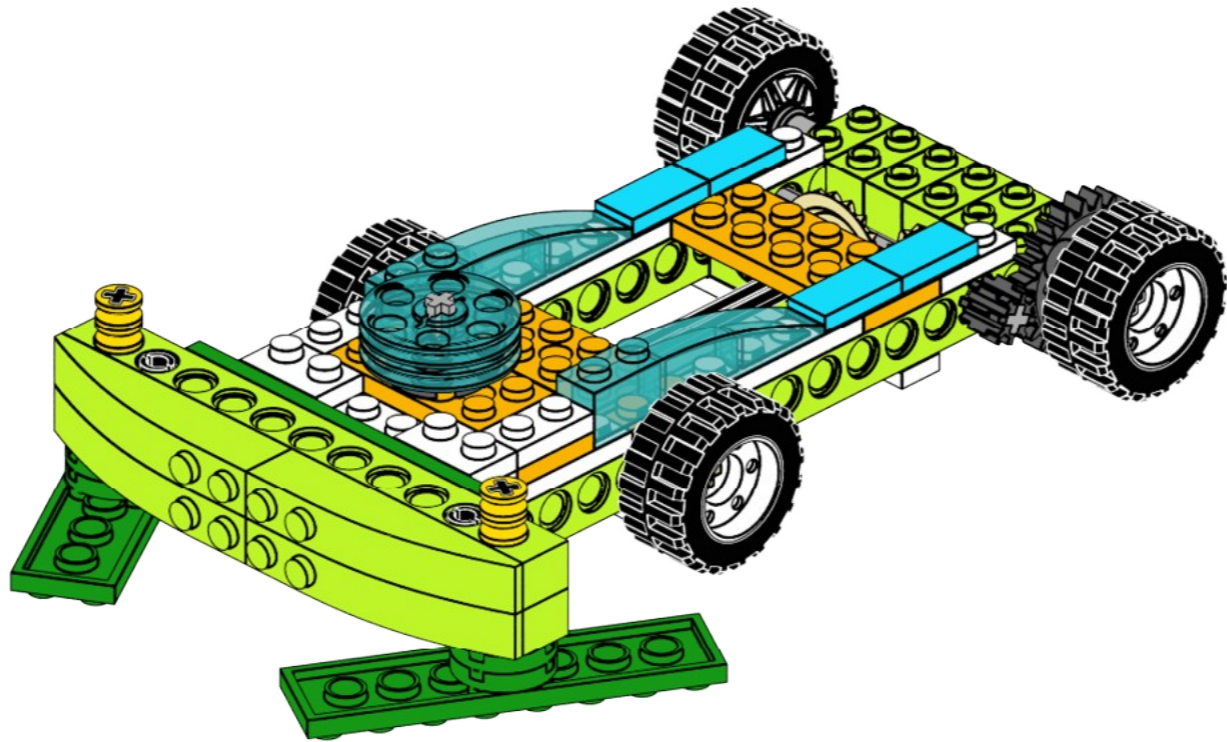


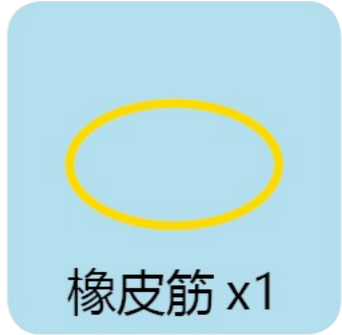
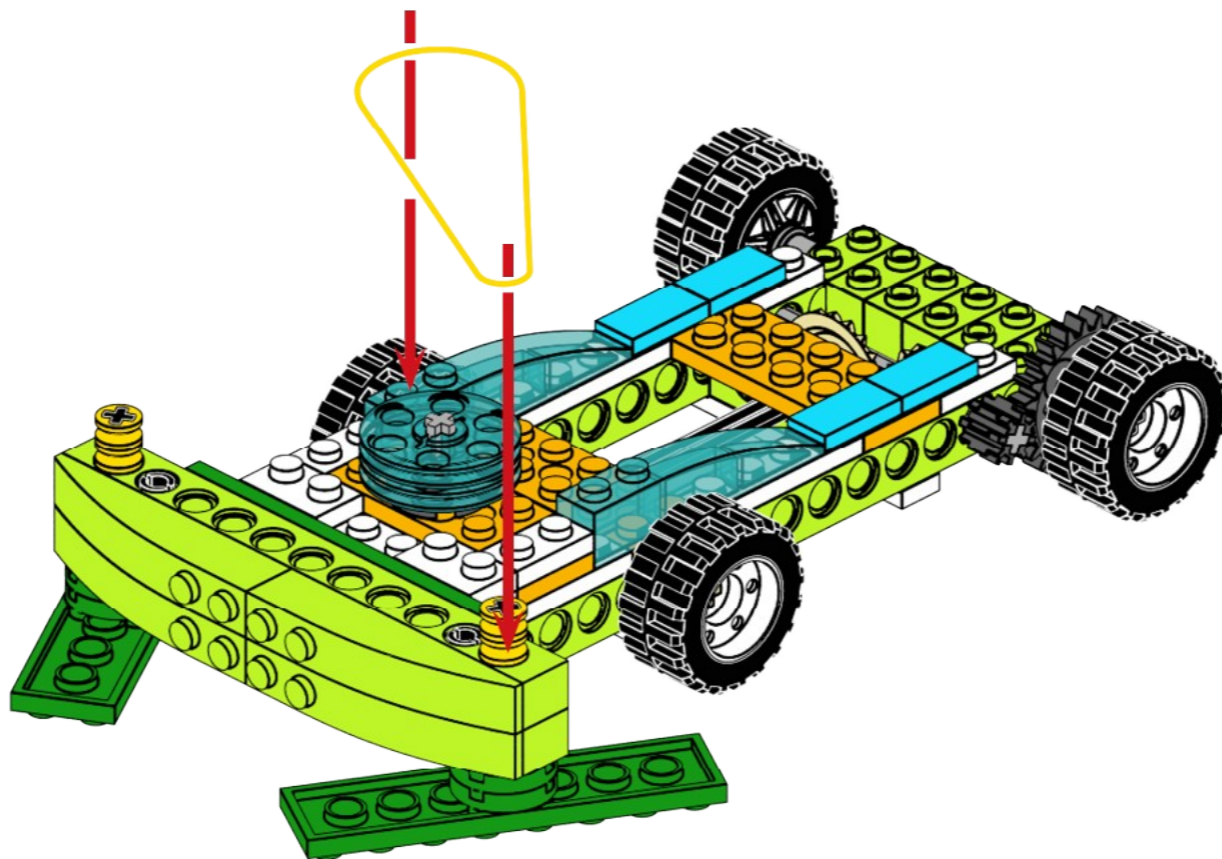




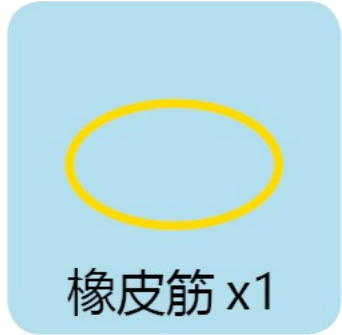
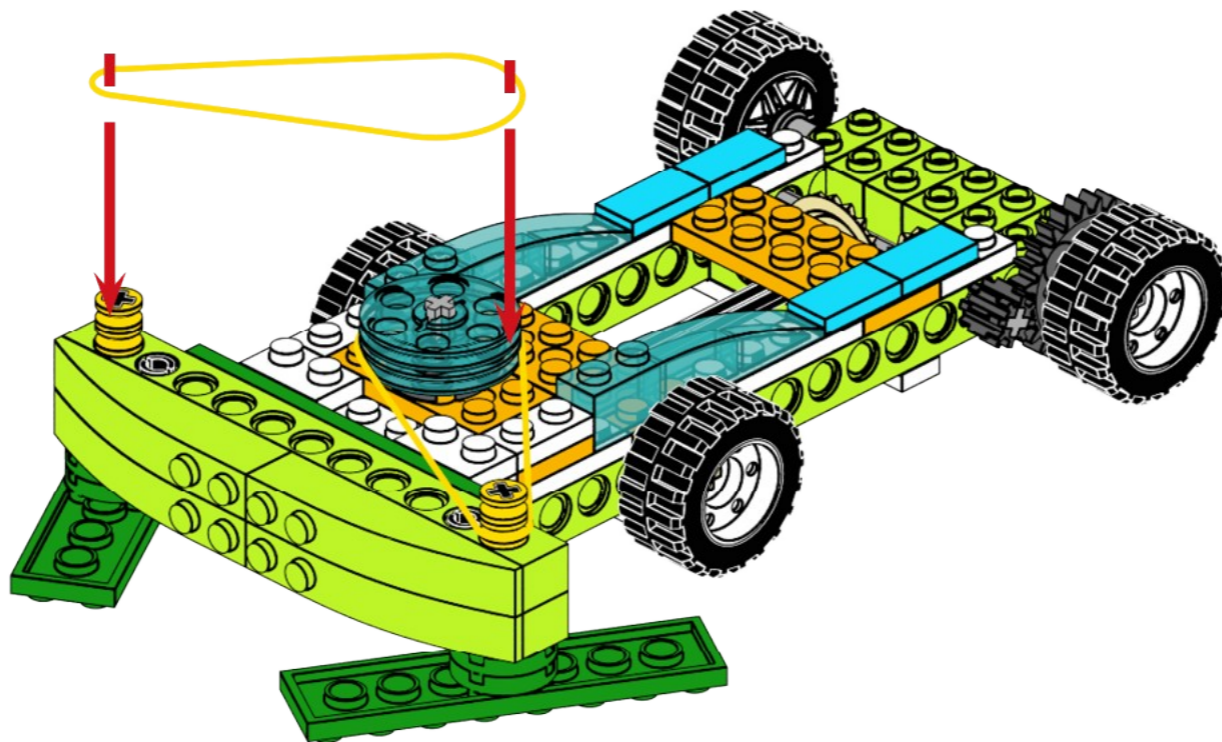


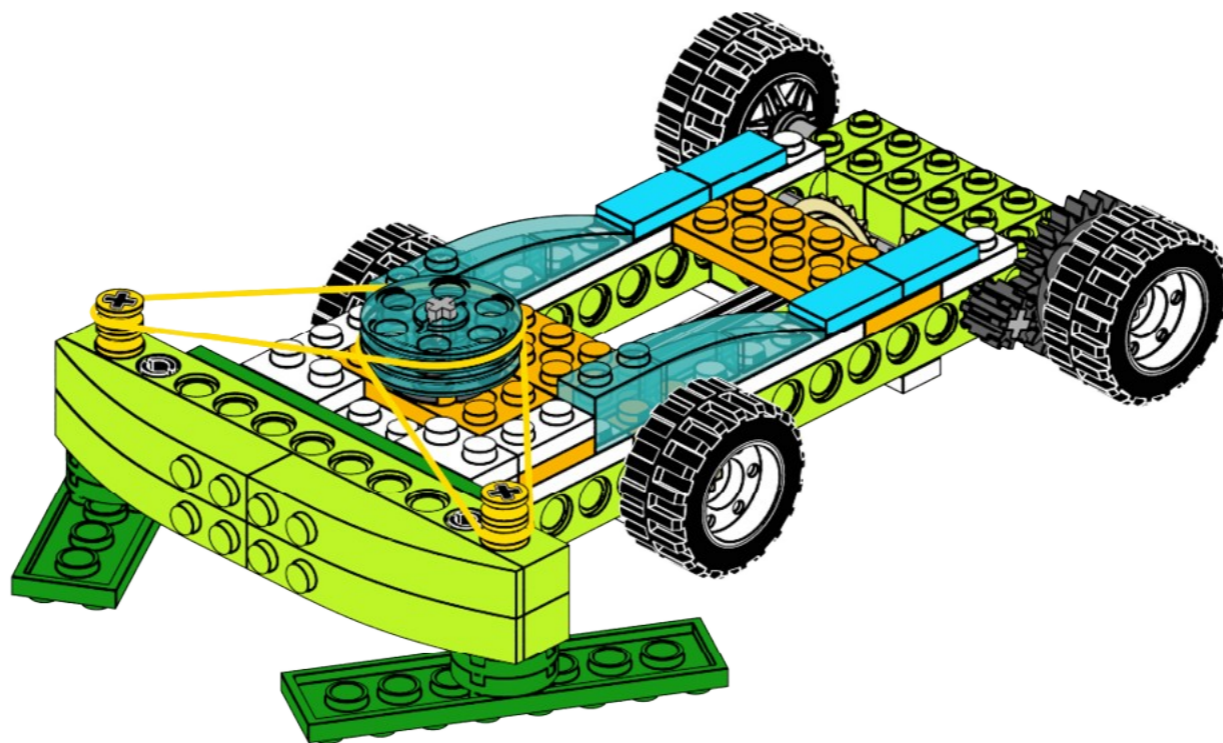


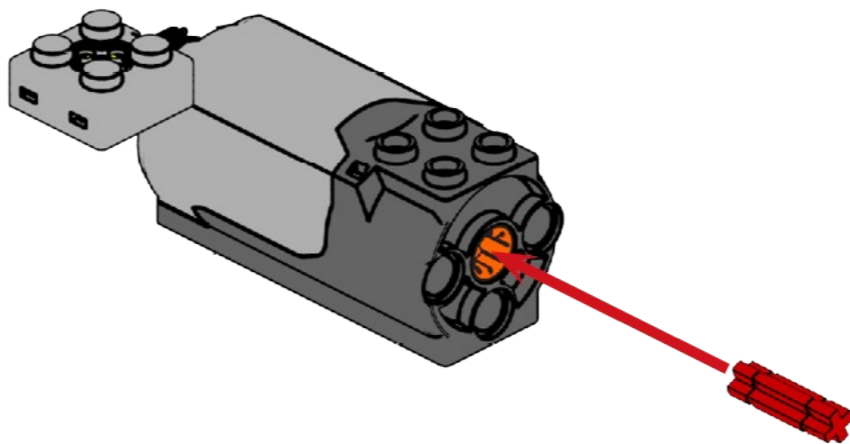
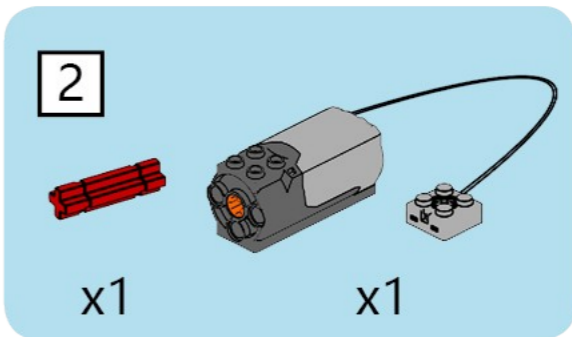




橡皮筋 x1

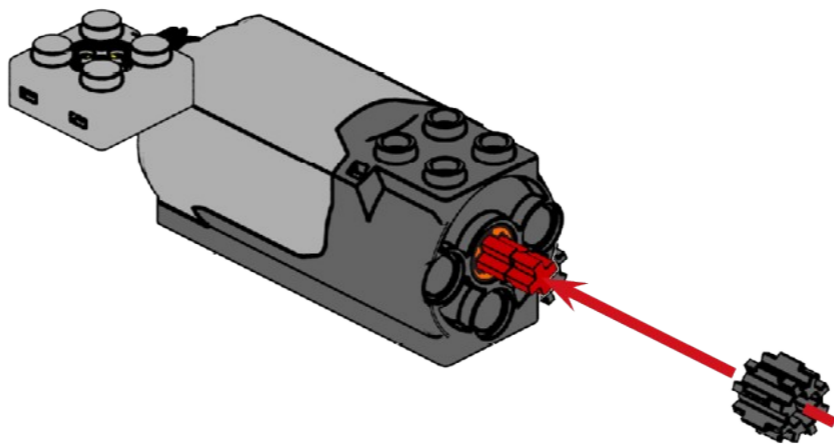


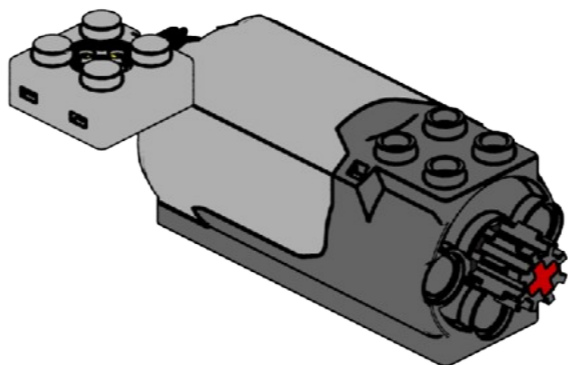


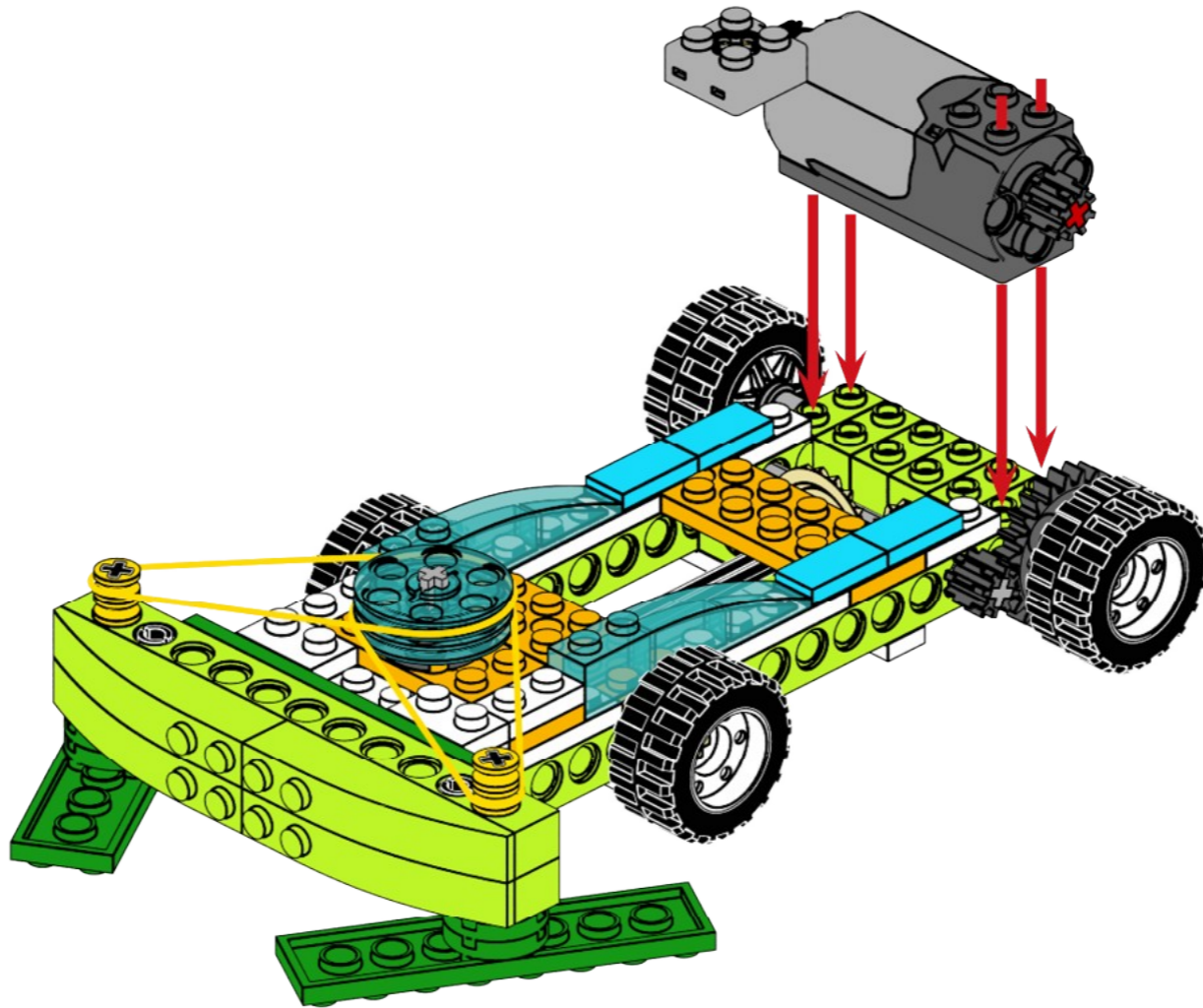


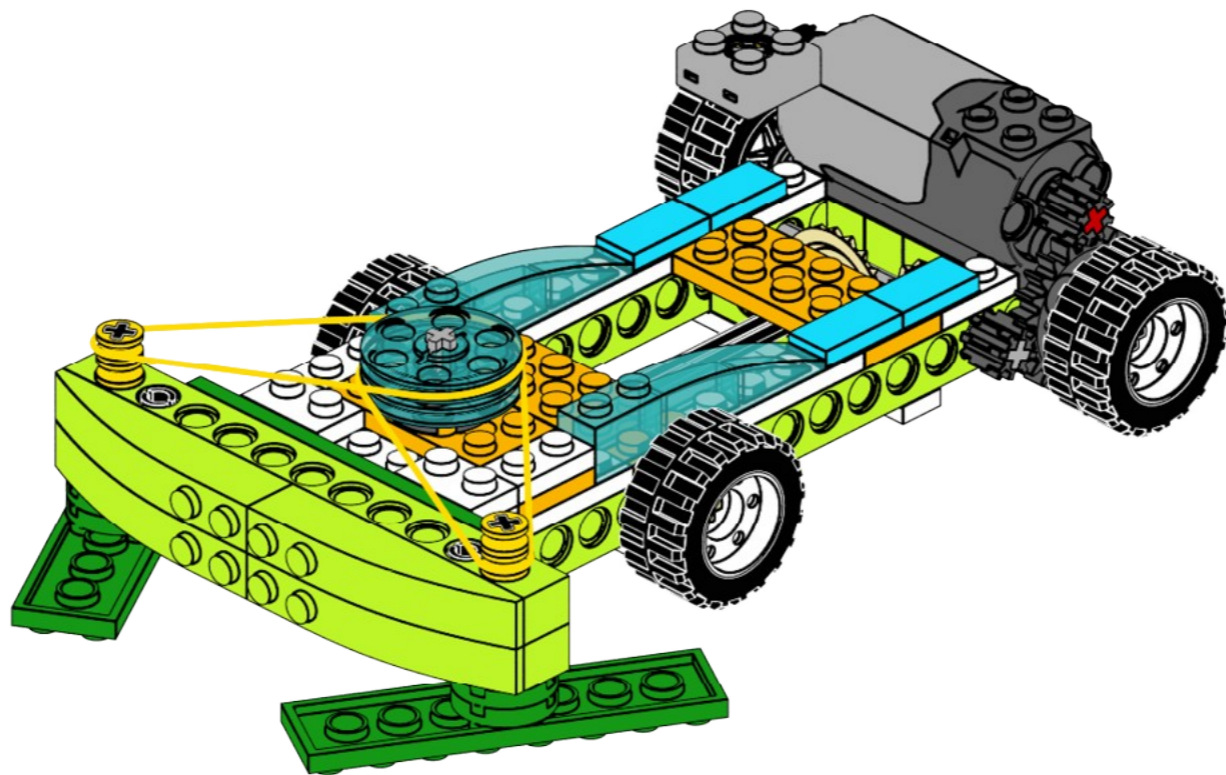


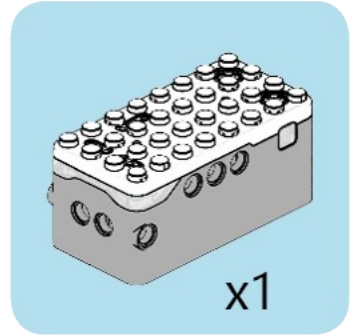
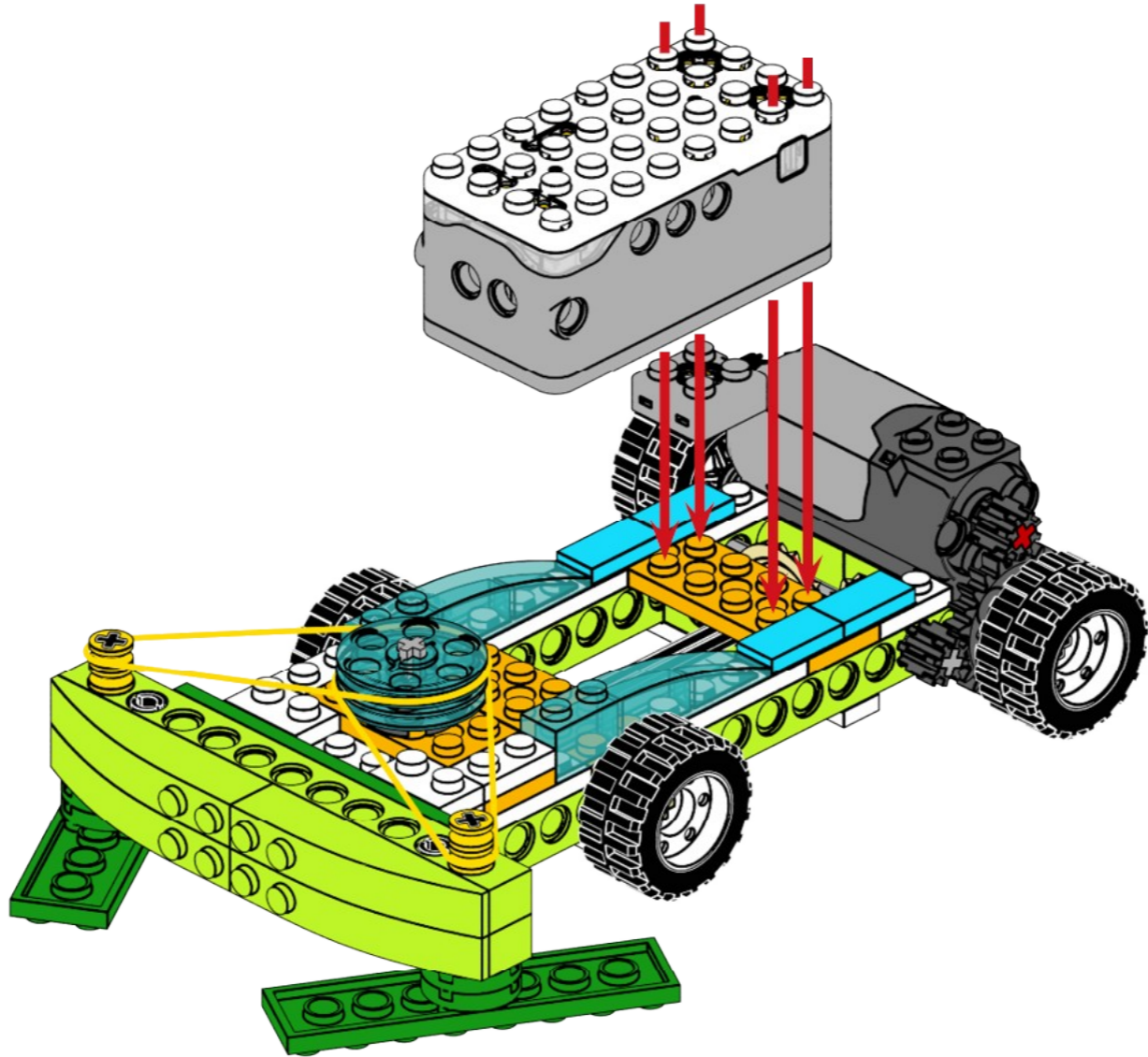
x1

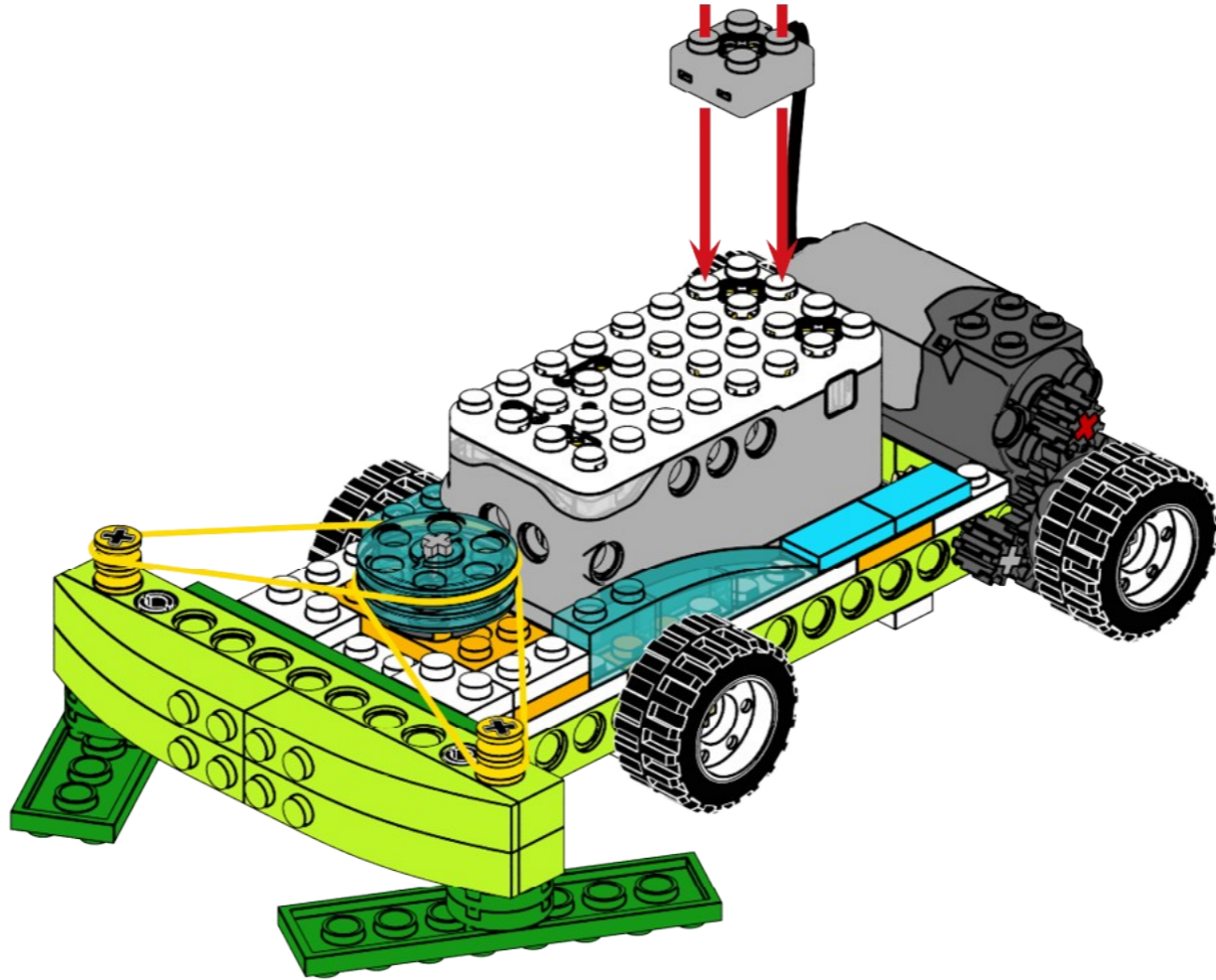


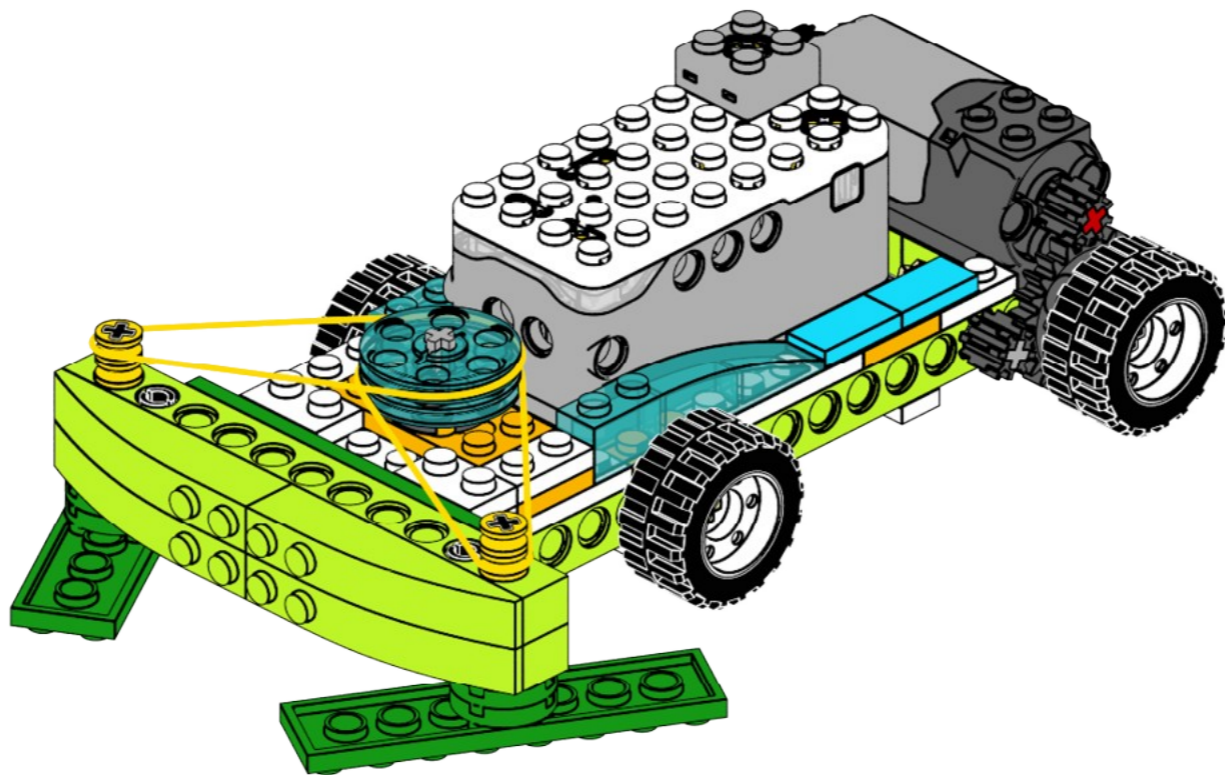


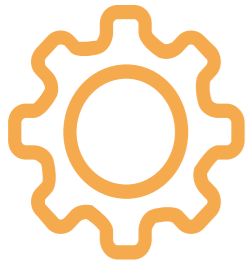




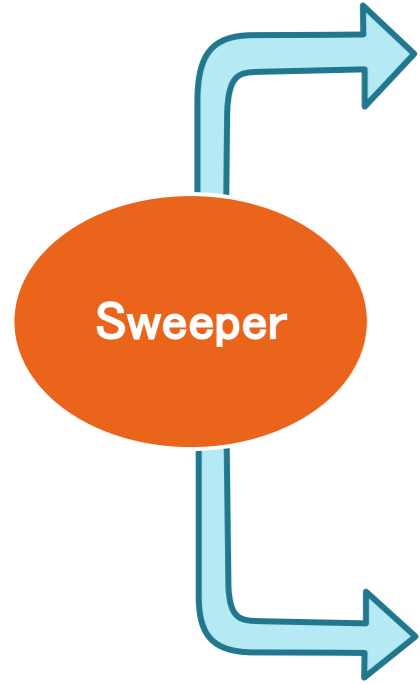








Review



Knowledge Development



The purpose of sweeping car



For urban road cleaning

The operation process of the sweeper



The large broom in front of the car keeps rotating to sweep the garbage inside, and there is suction at the bottom of the car to suck the garbage away.

Basic Transmission



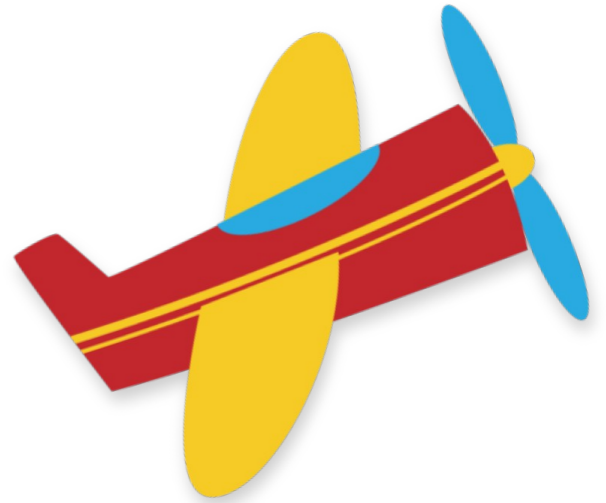
Reduction gear unit

Vertical gear drive

Belt drive



Talk





THANKS

