



Logic

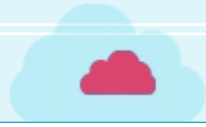
Space



Coding



Focus



Classroom Discipline

01

Please sit down and keep quiet in class.

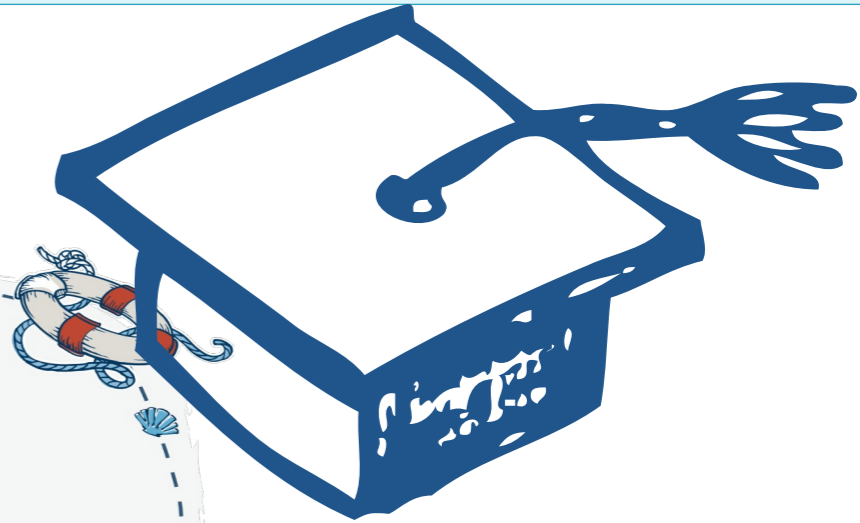
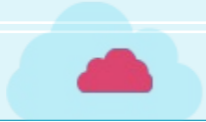
02

Please raise your hand if you have any questions

03

Please observe carefully when the pictures are played.



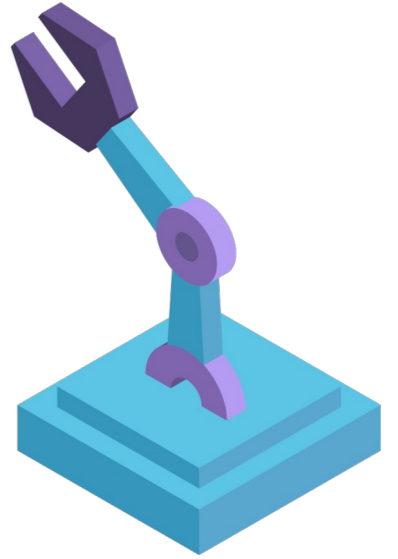


The Lifter





Think



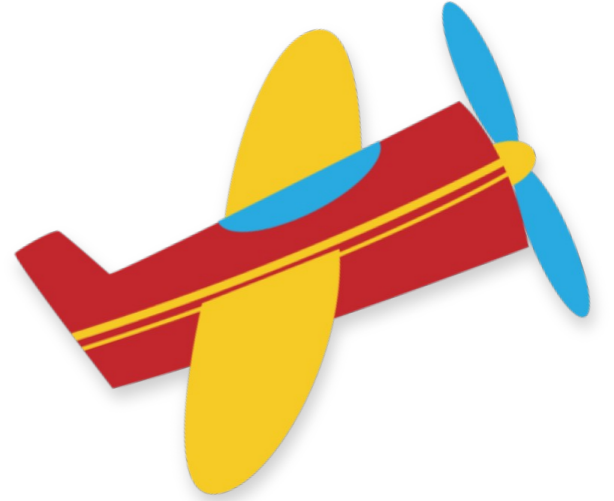
1、 Kids, what is the function of the stage?

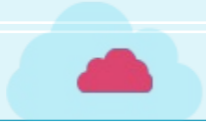
2、 Have any of your classmates ever performed on stage?





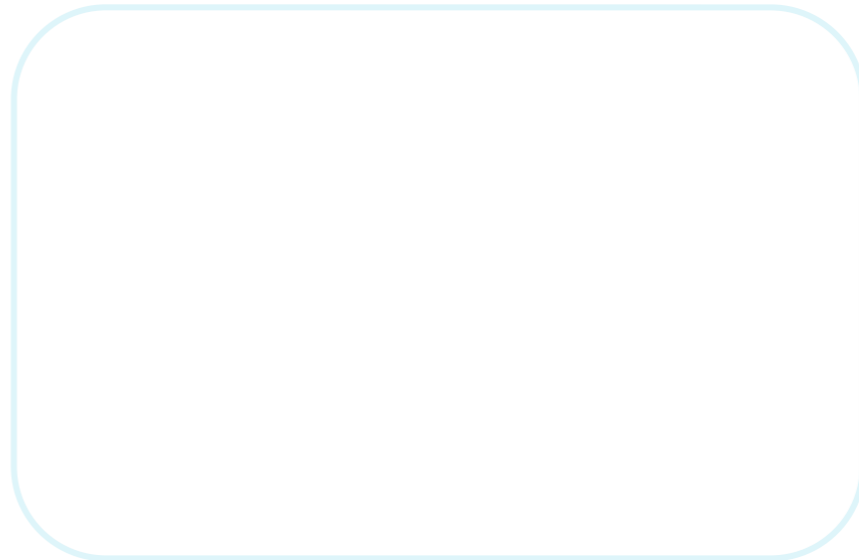
Explore





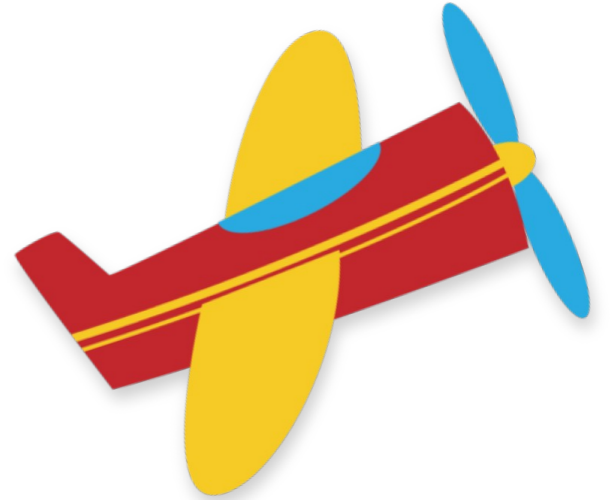
1. What does a stage need?

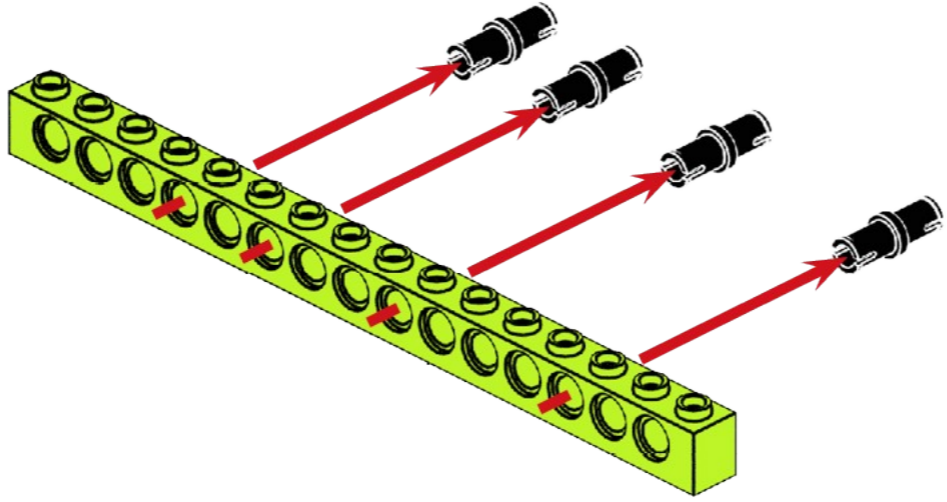
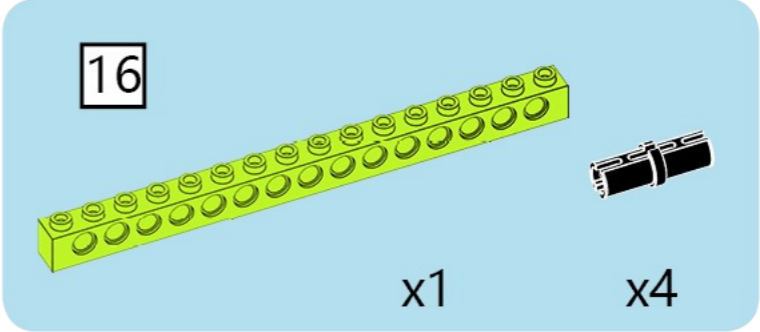
2. How do we set up our stage and auditorium?

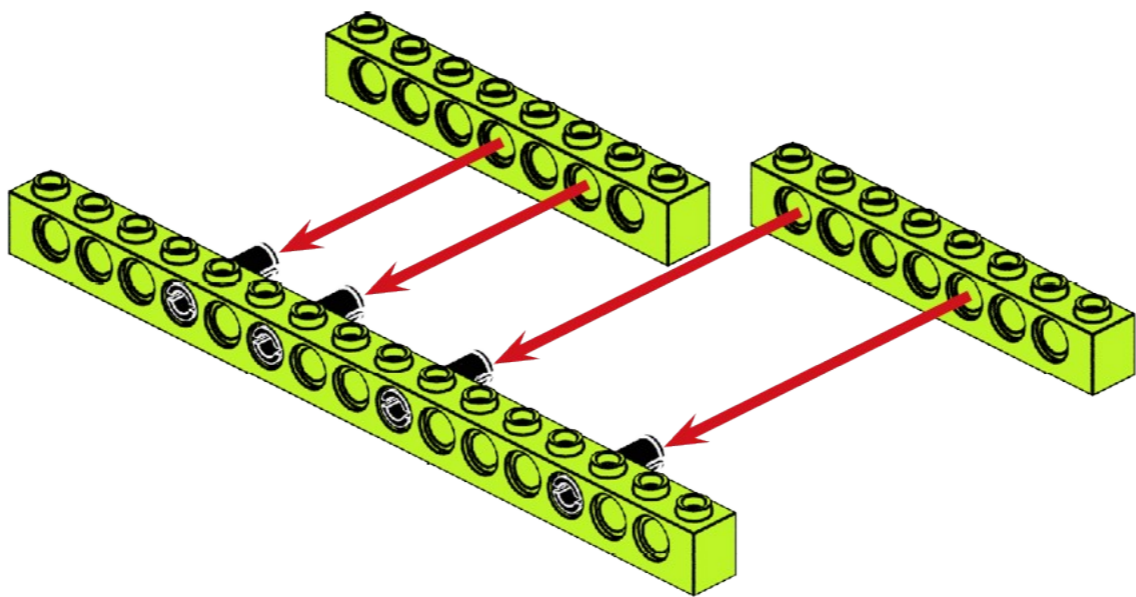
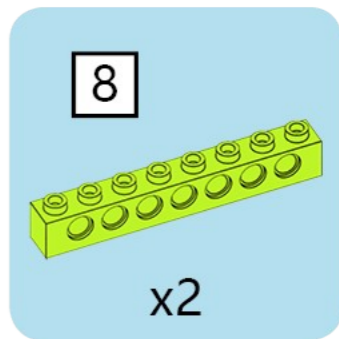


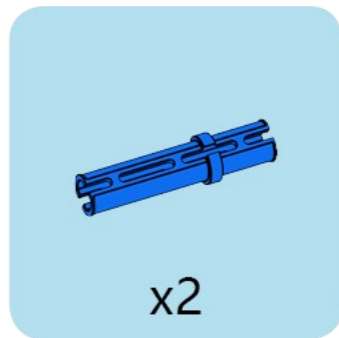
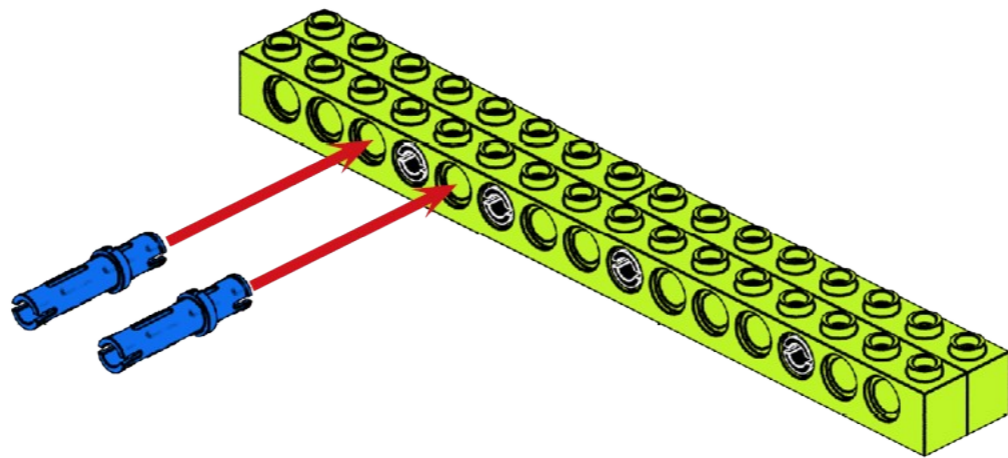


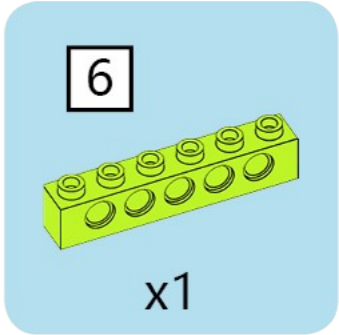
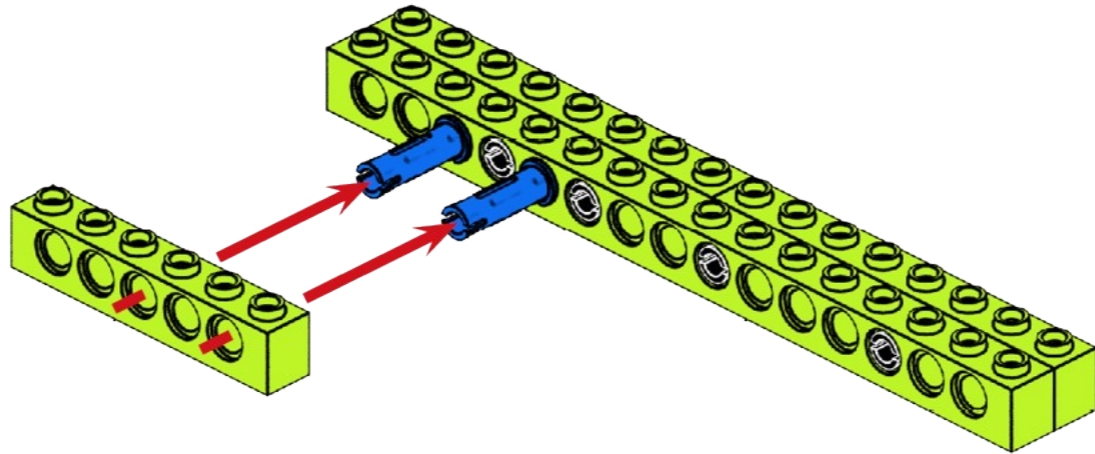
Build





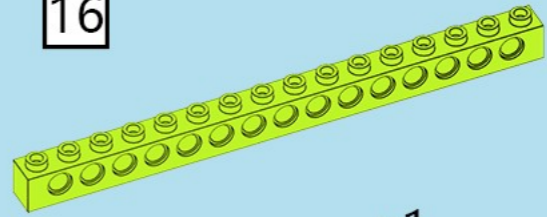




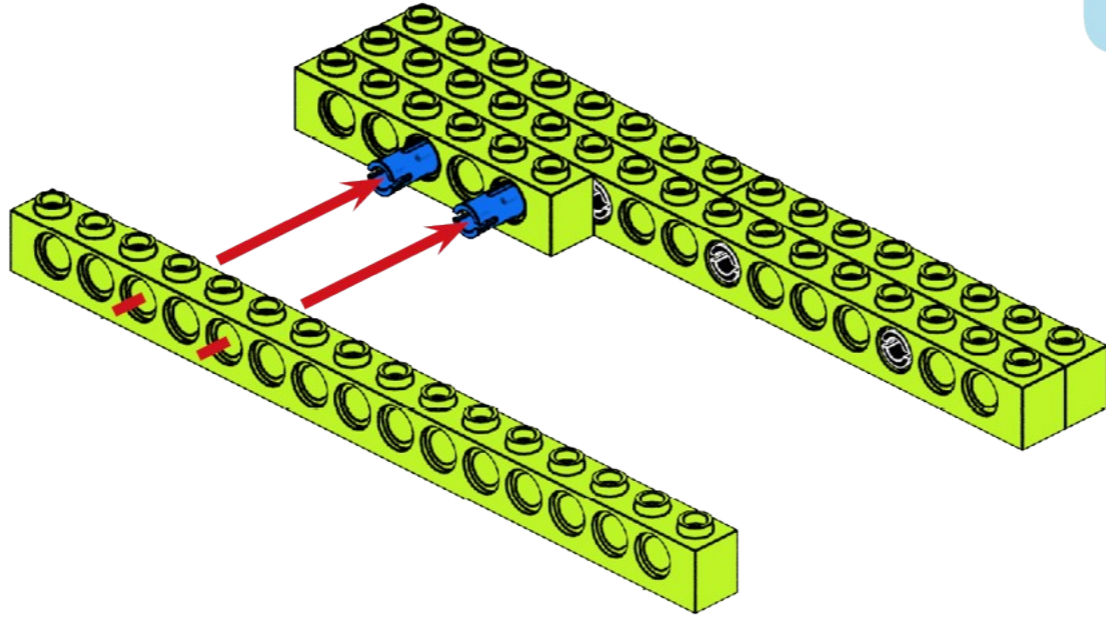


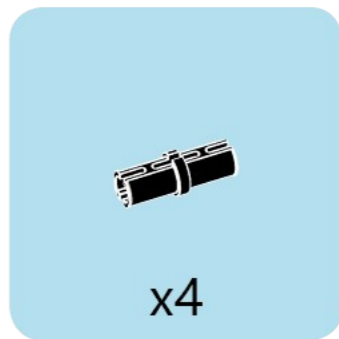
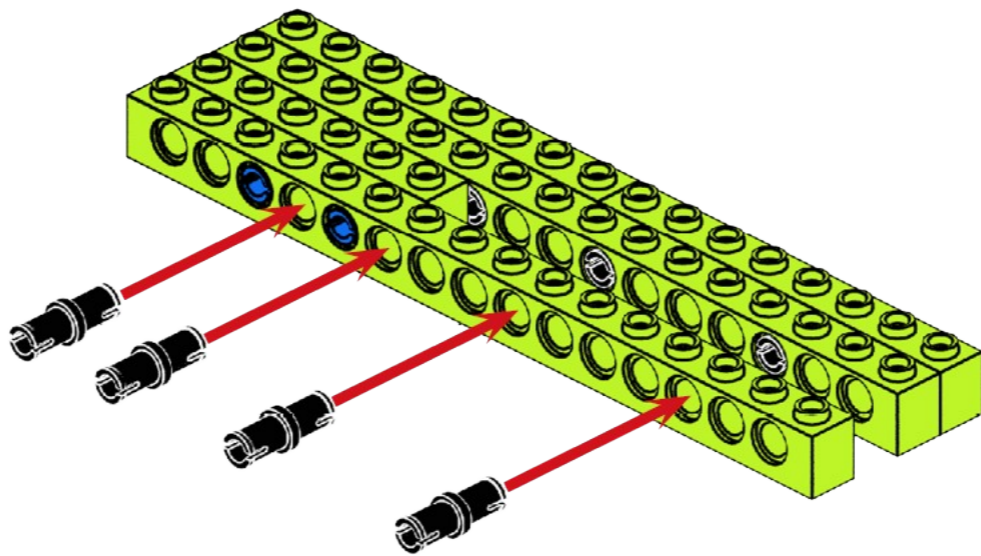


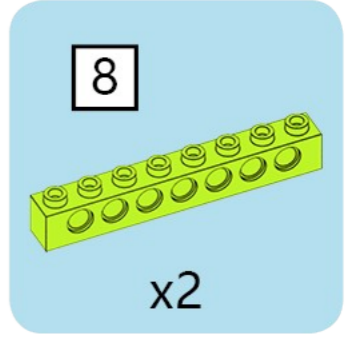
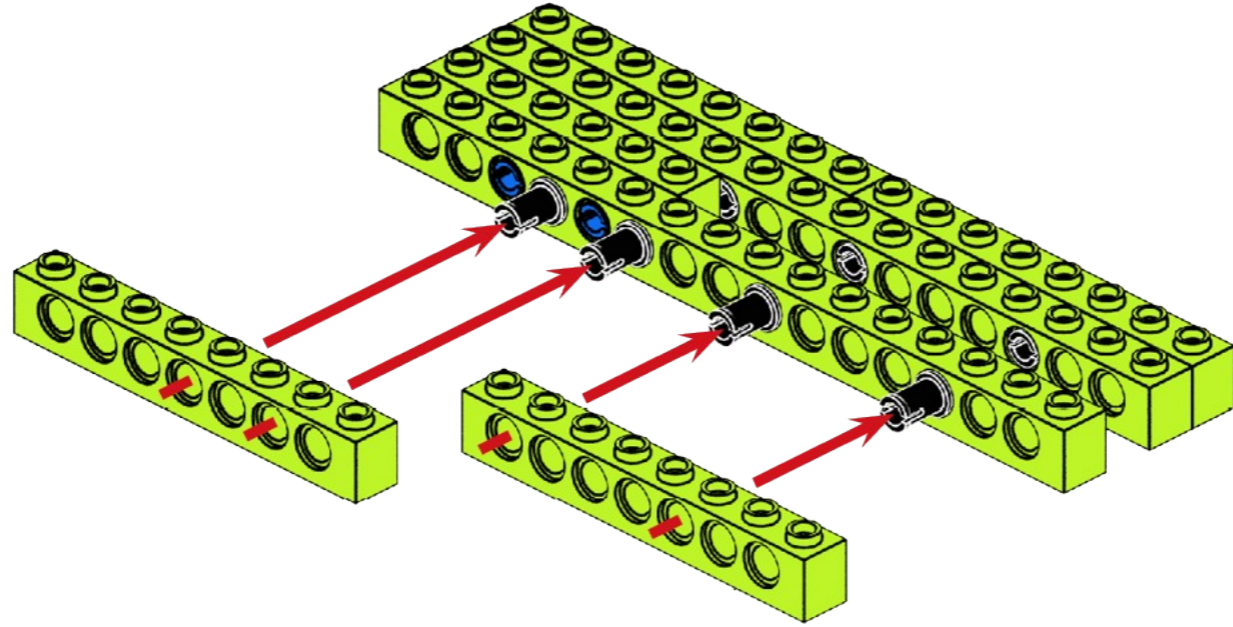
16

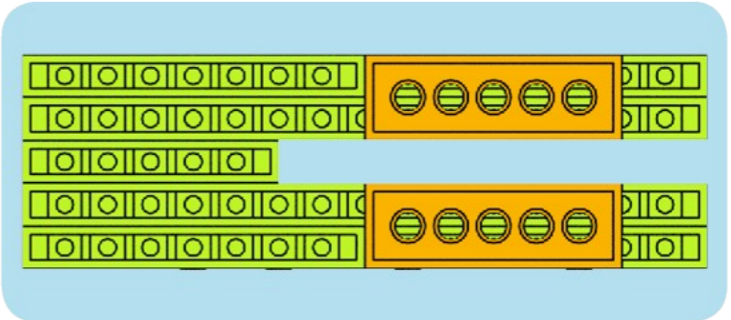
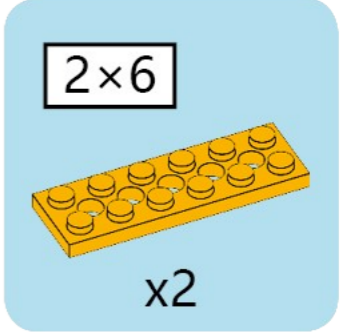
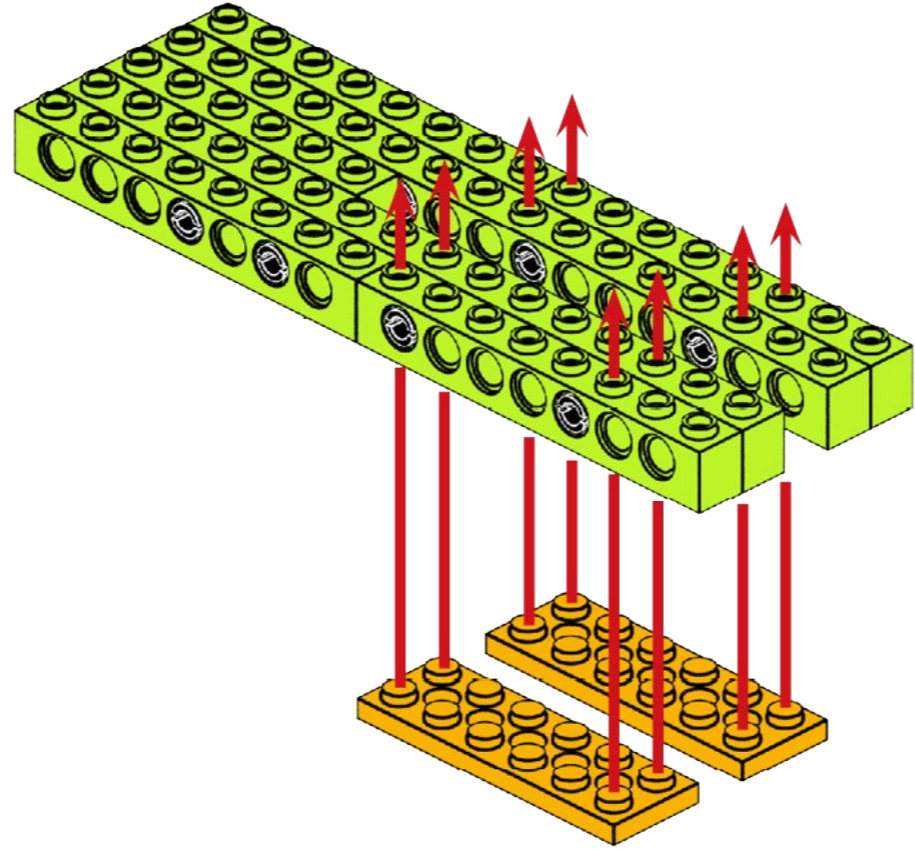


x1



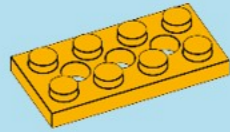




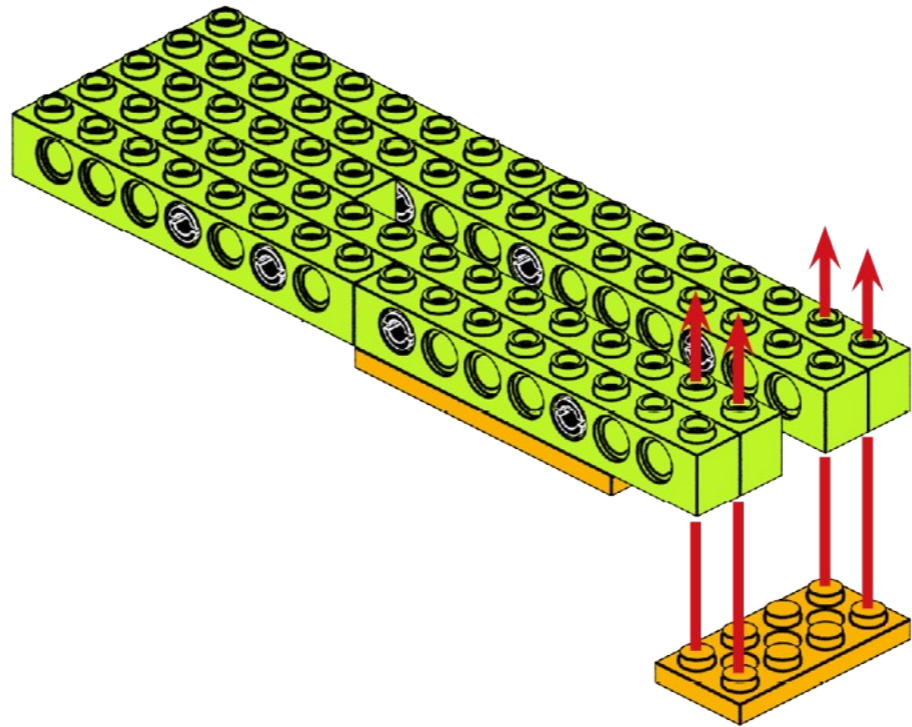


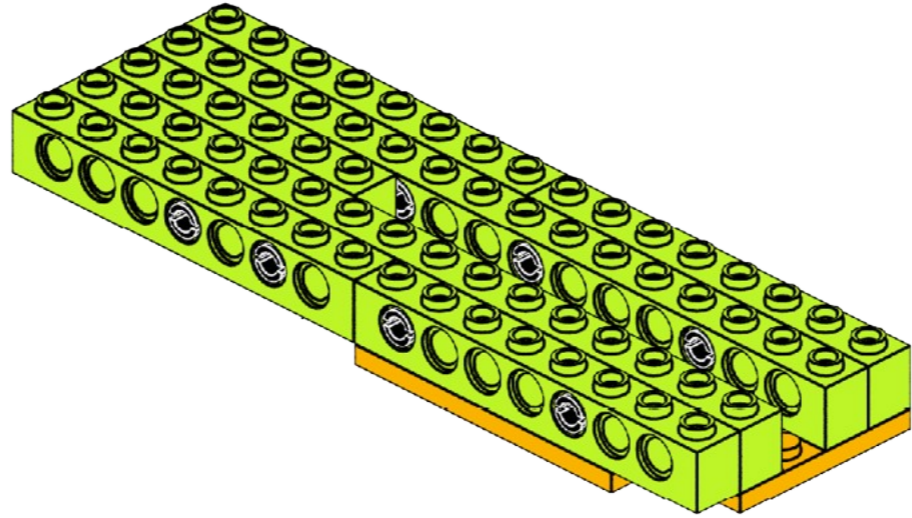


2x4



x1







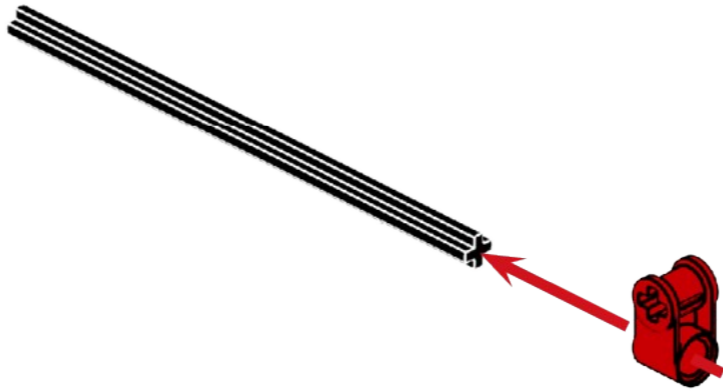
10

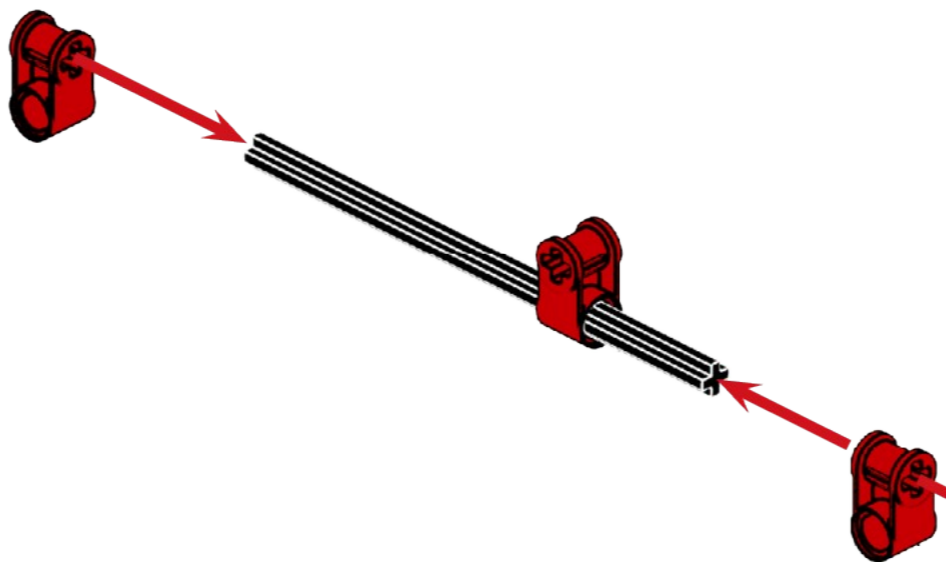
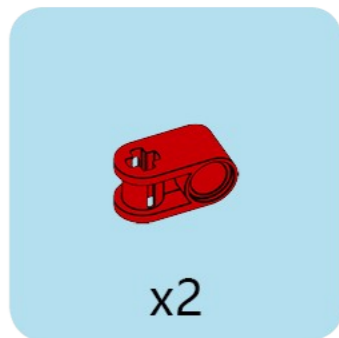


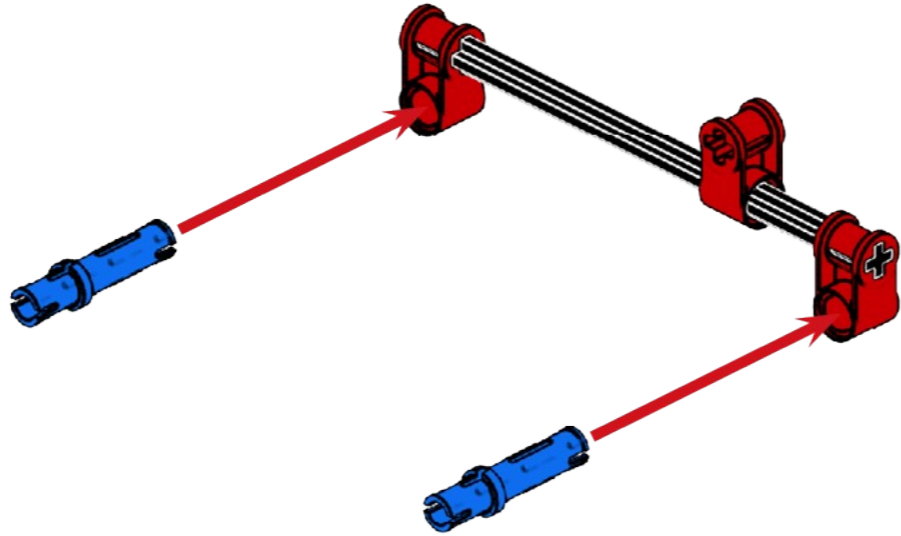
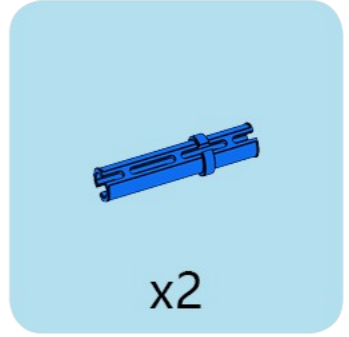
x1

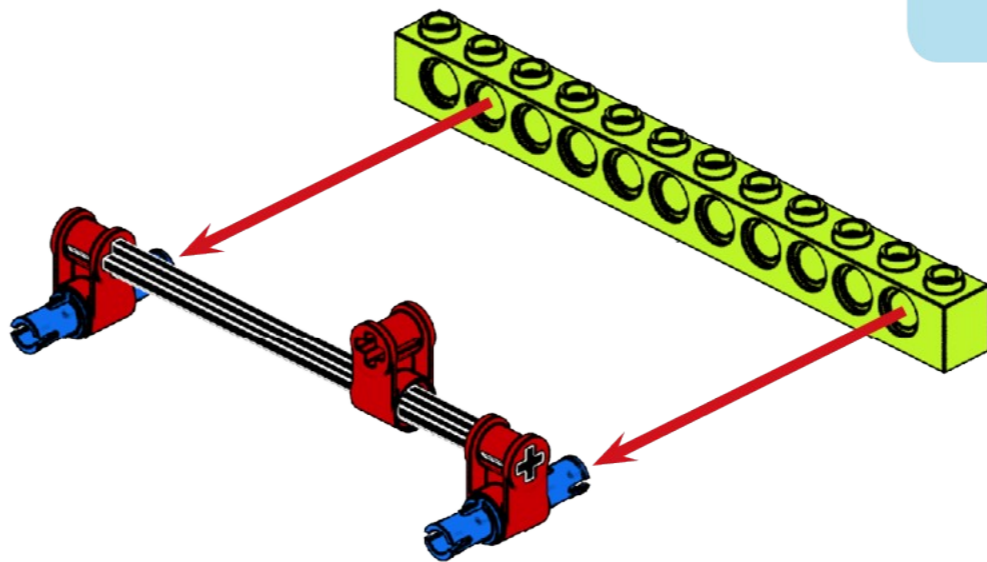
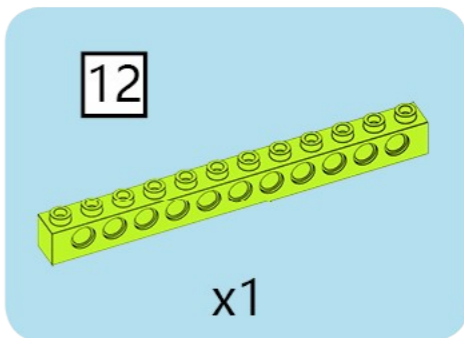


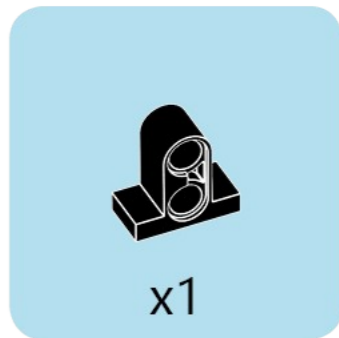
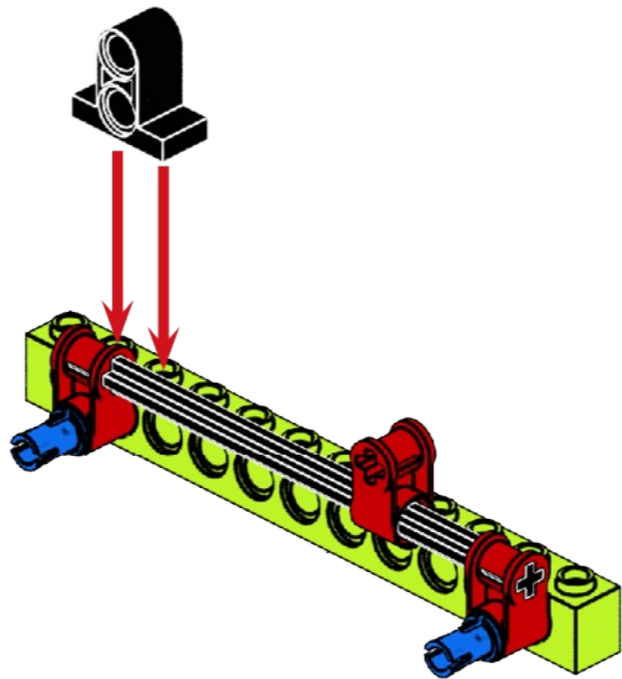
x1

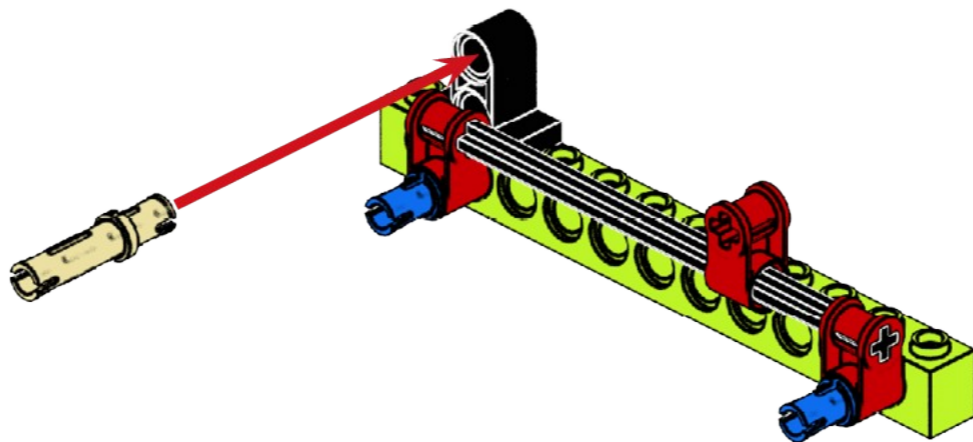
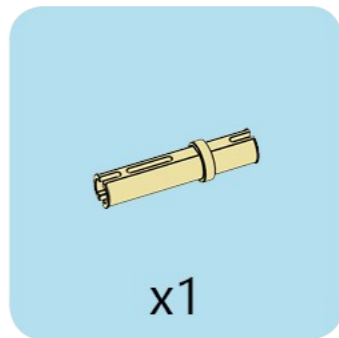


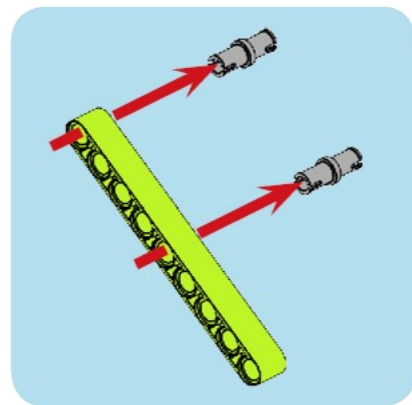
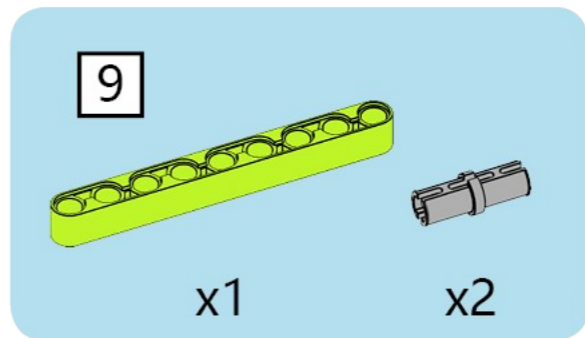
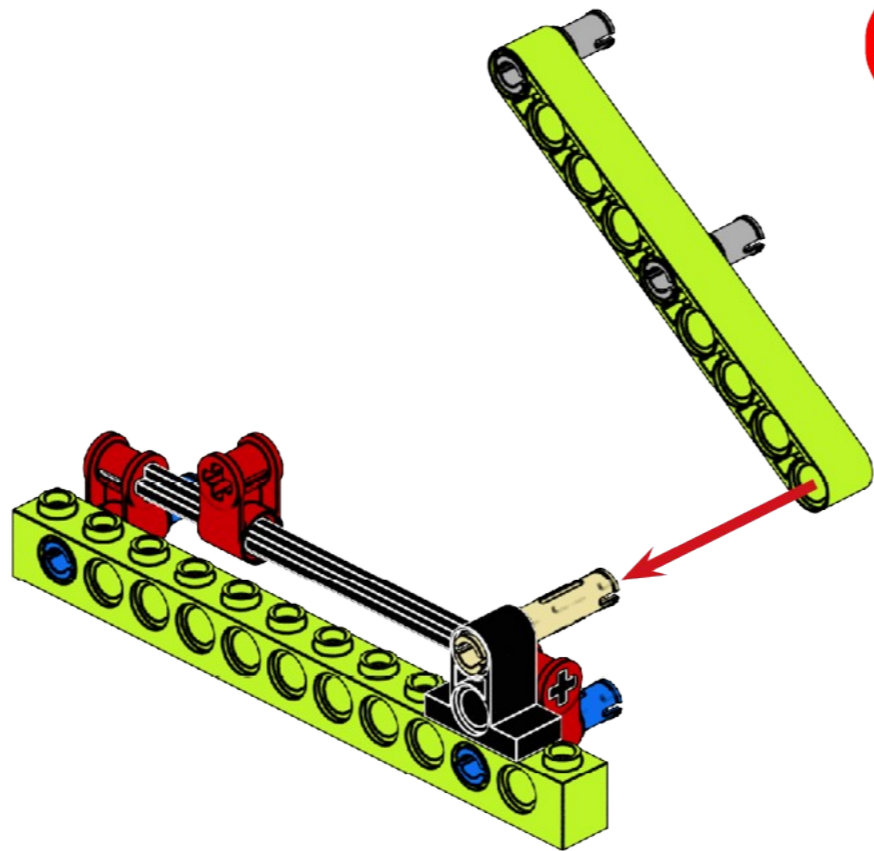


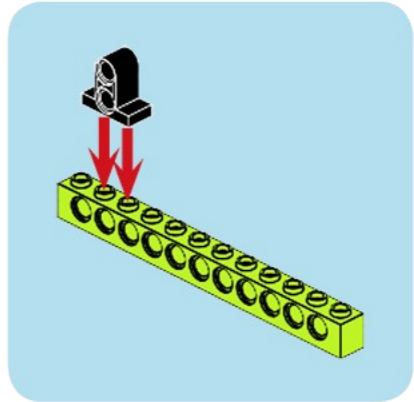
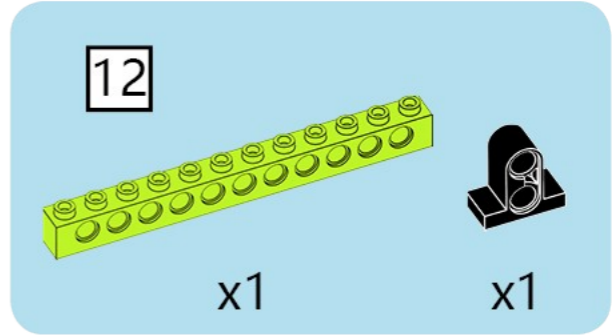
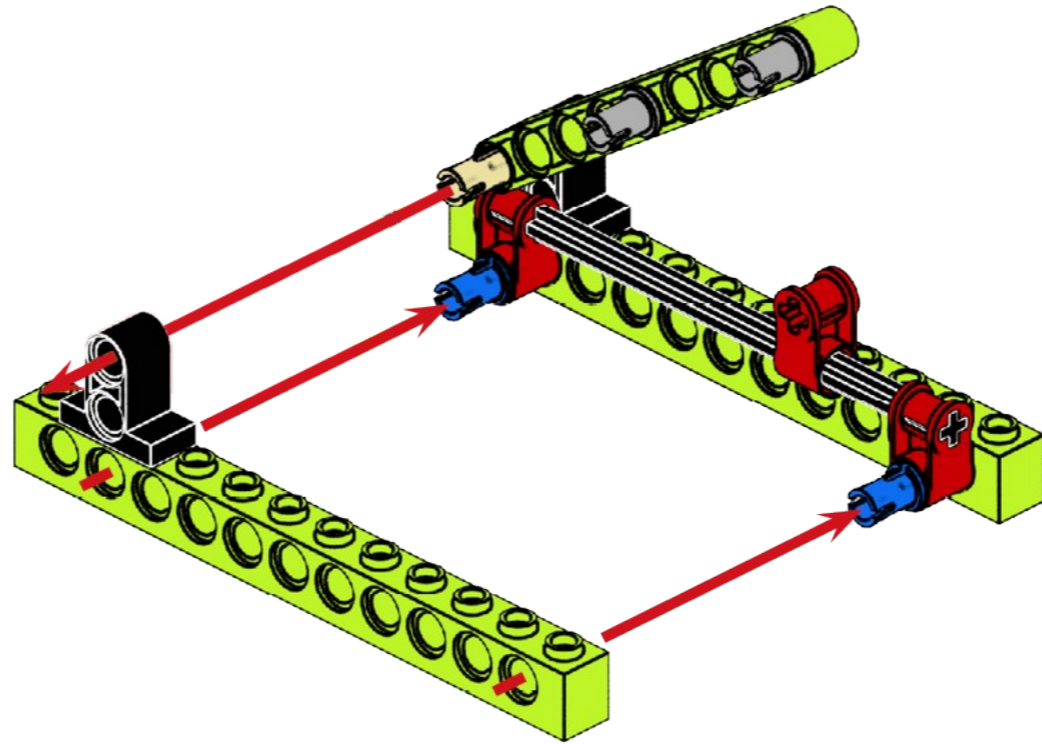


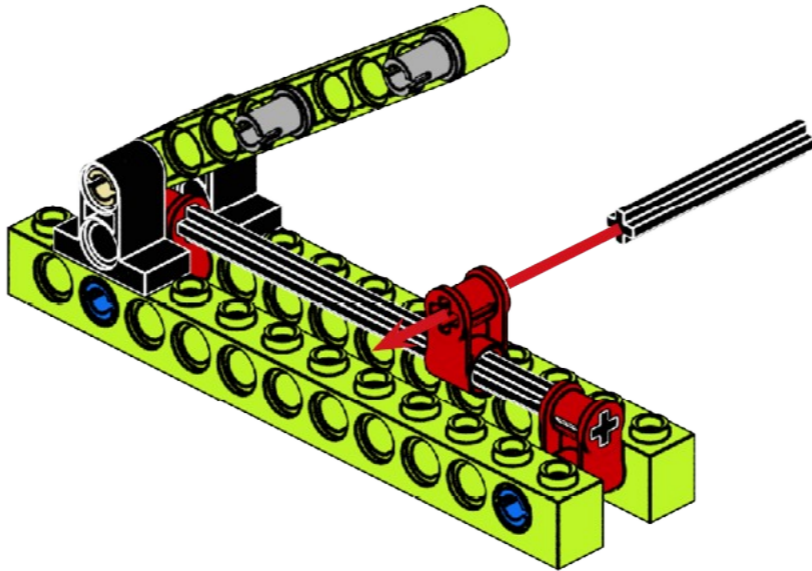
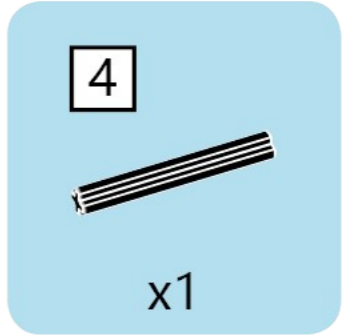


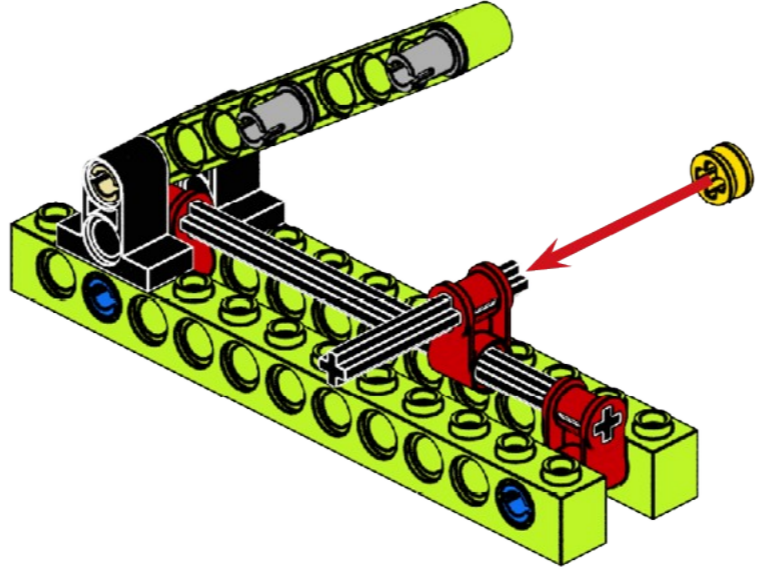
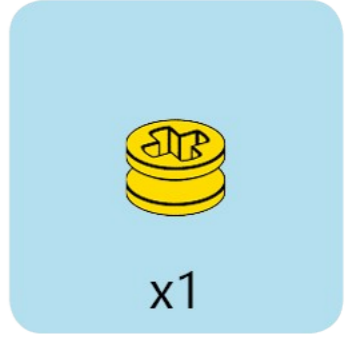


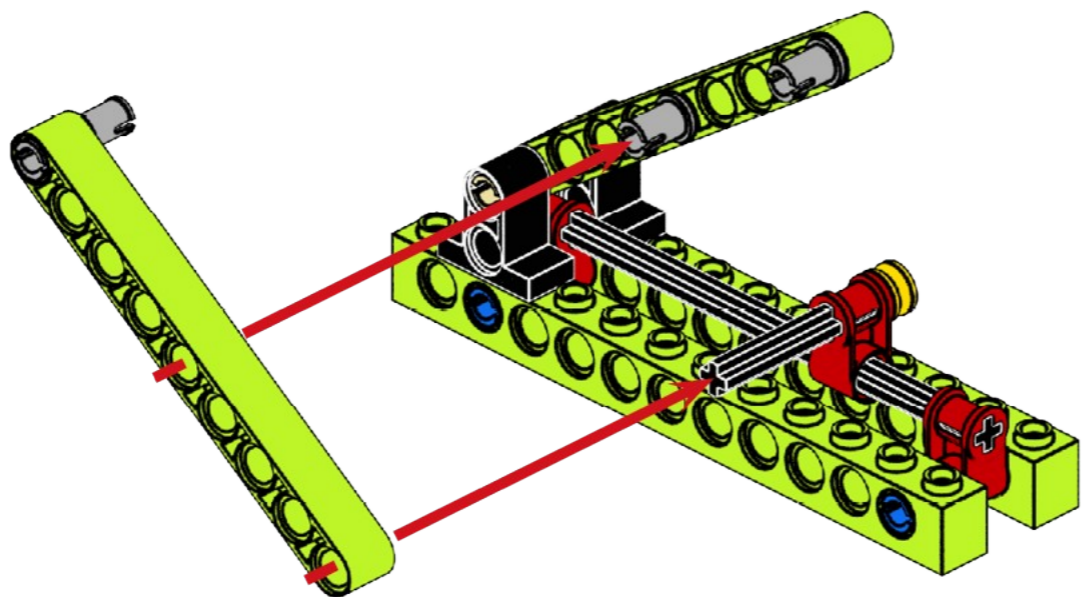




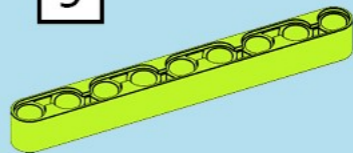






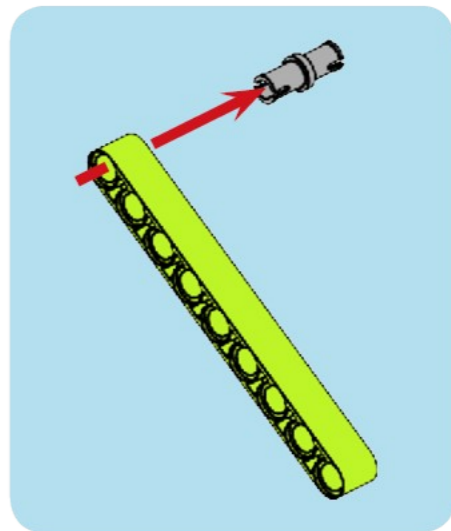


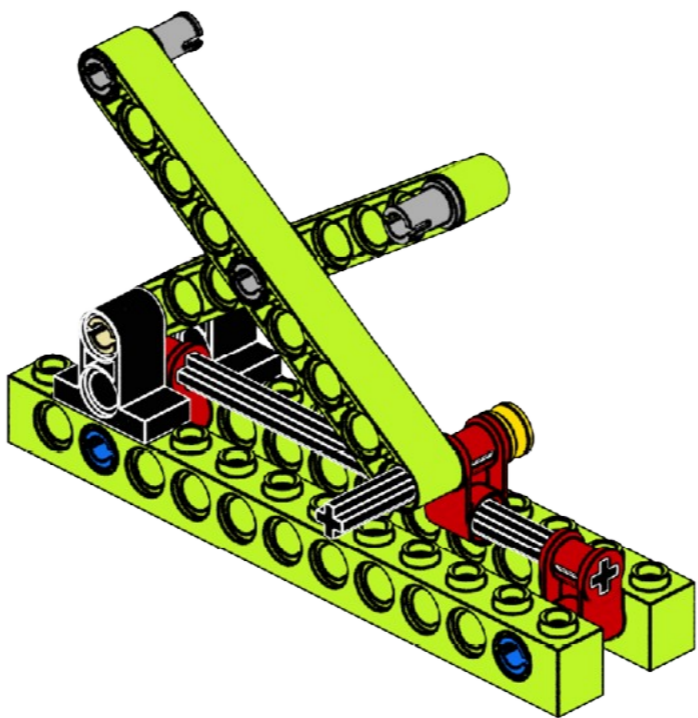
9

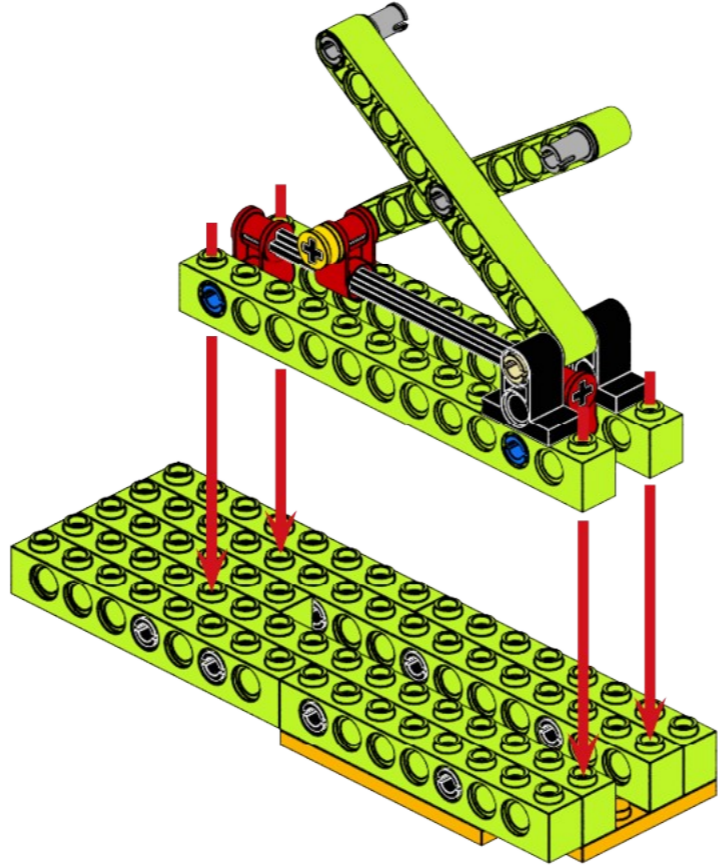


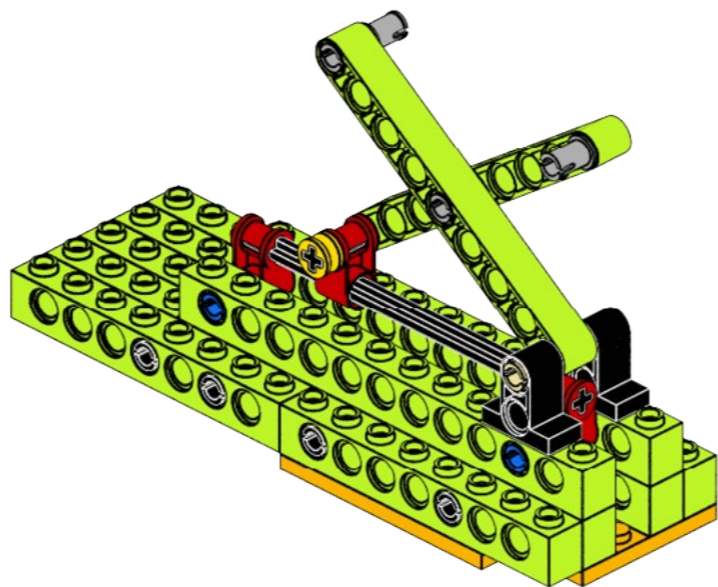
x1

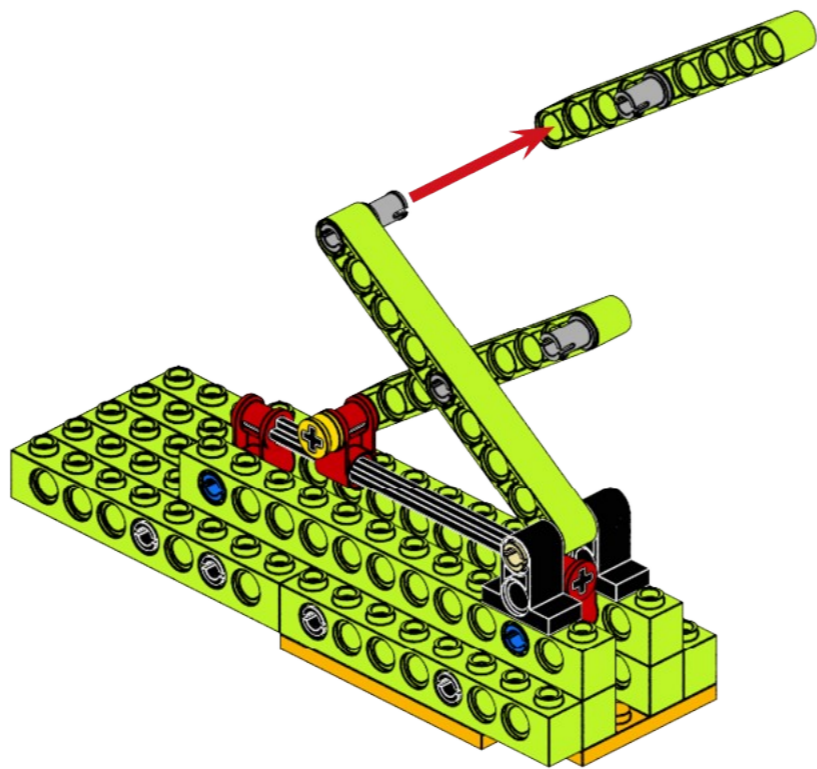
x1



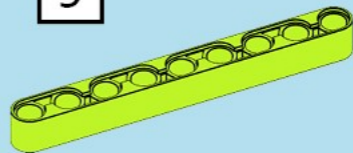




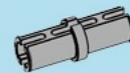




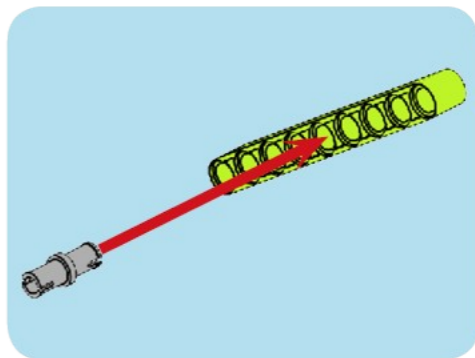
9

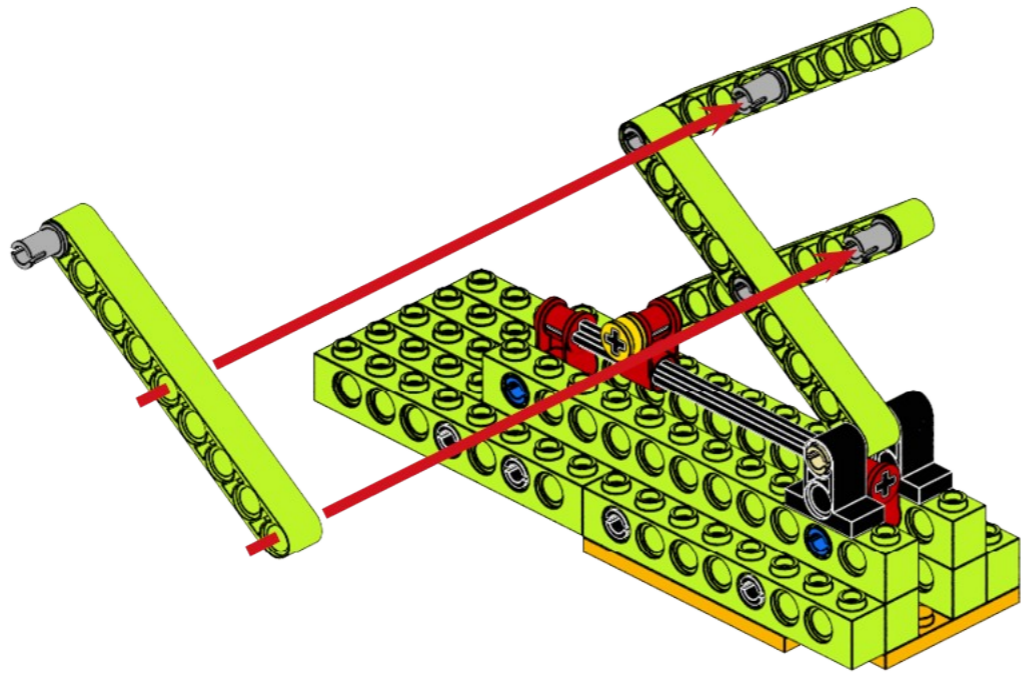


x1

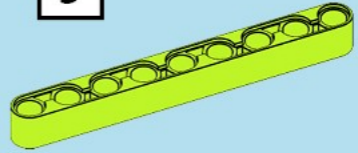


x1



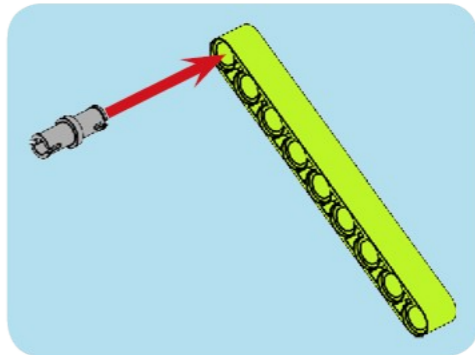


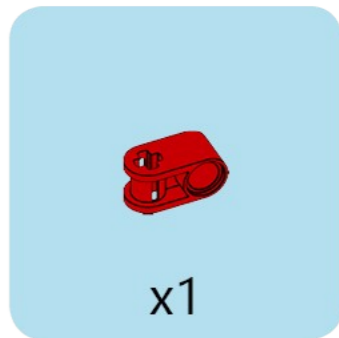
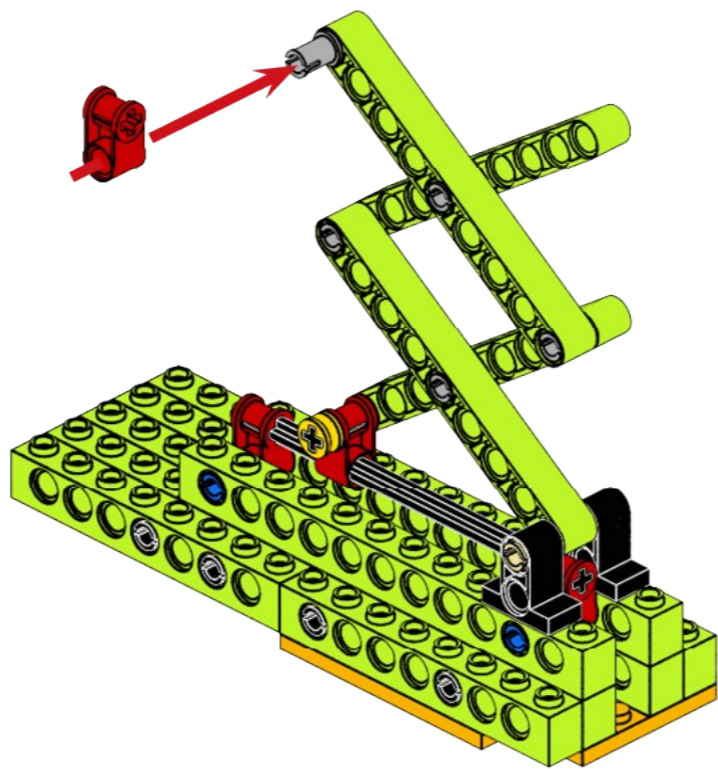
9

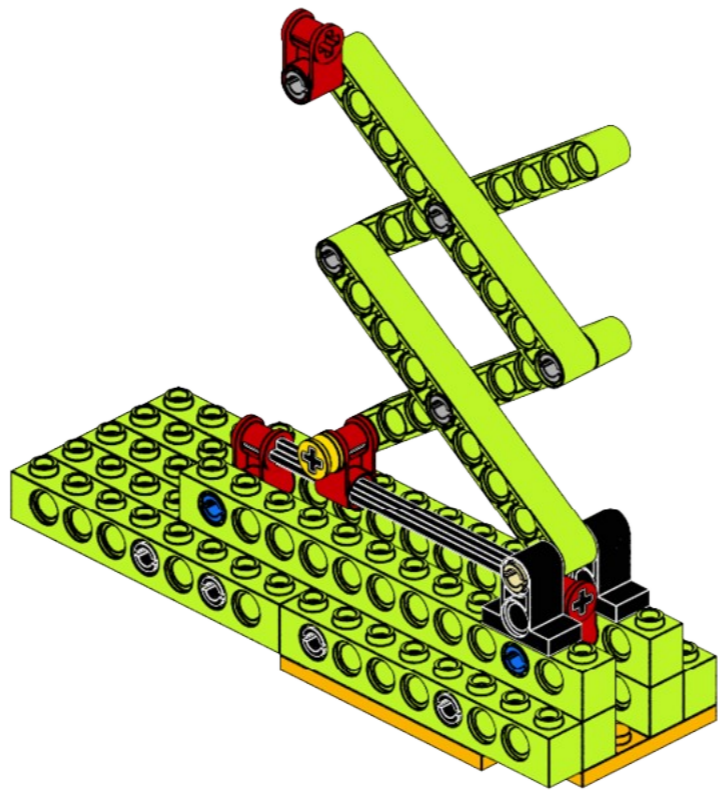


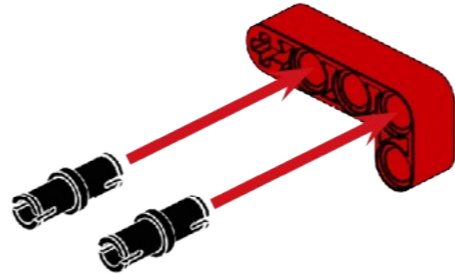
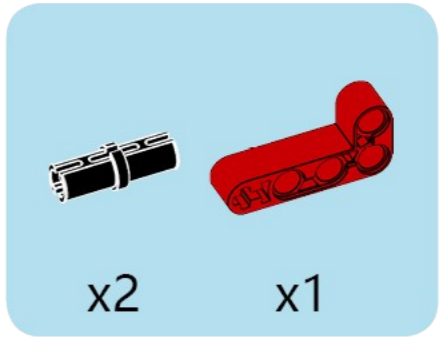
x1

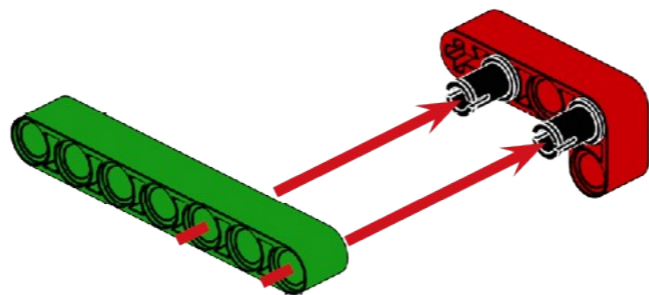
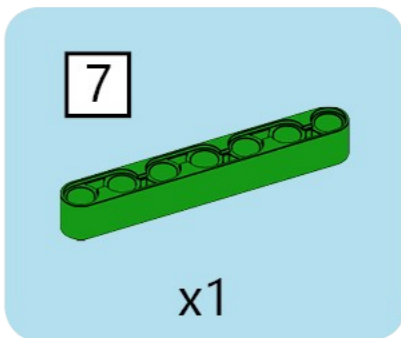
x1

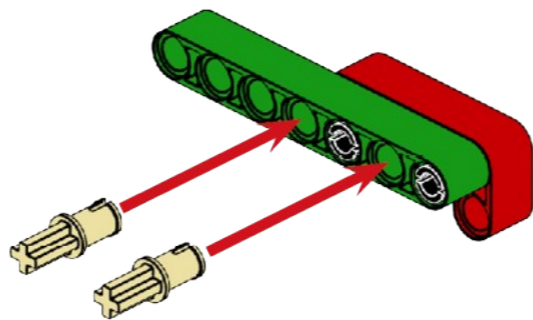
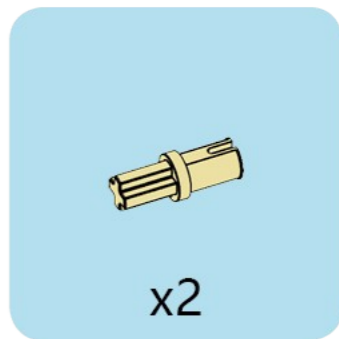


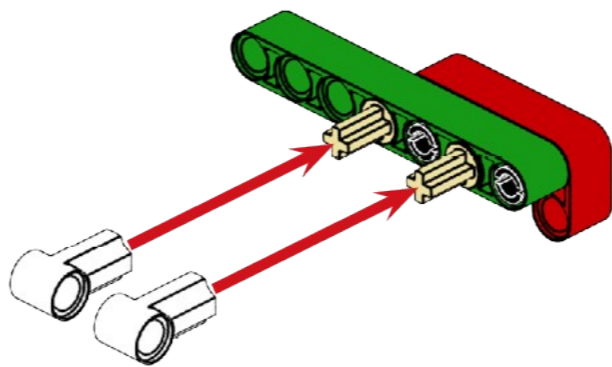
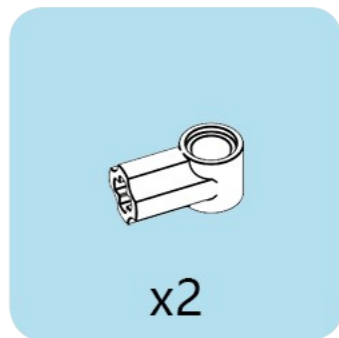


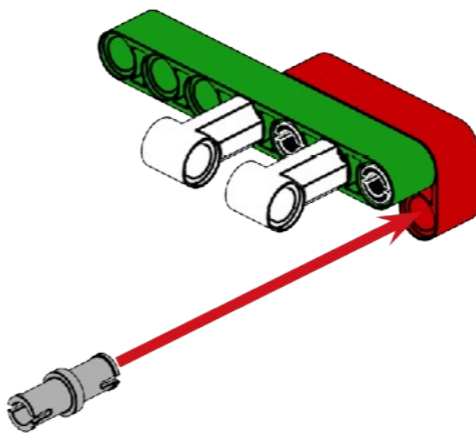
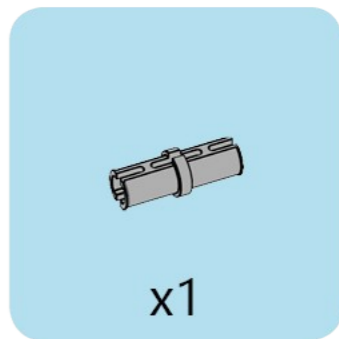


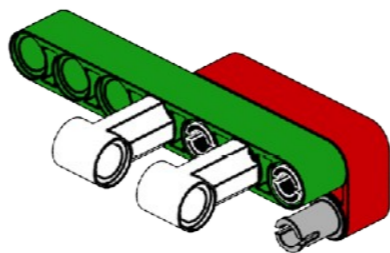


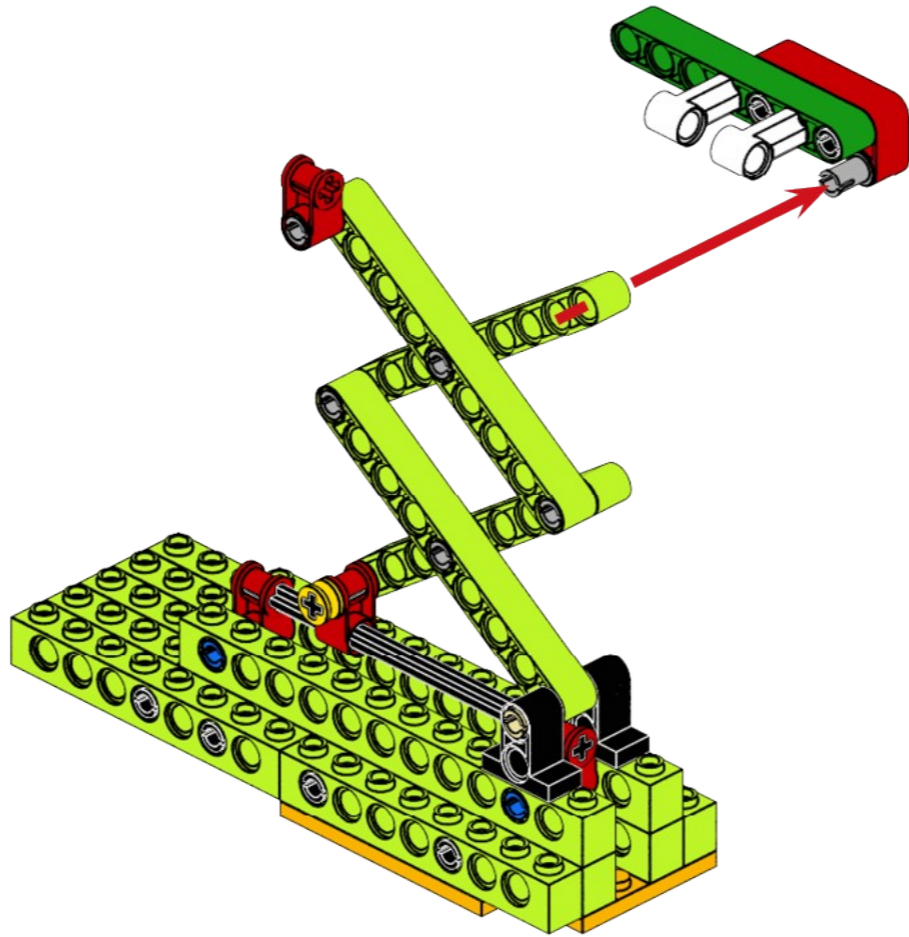


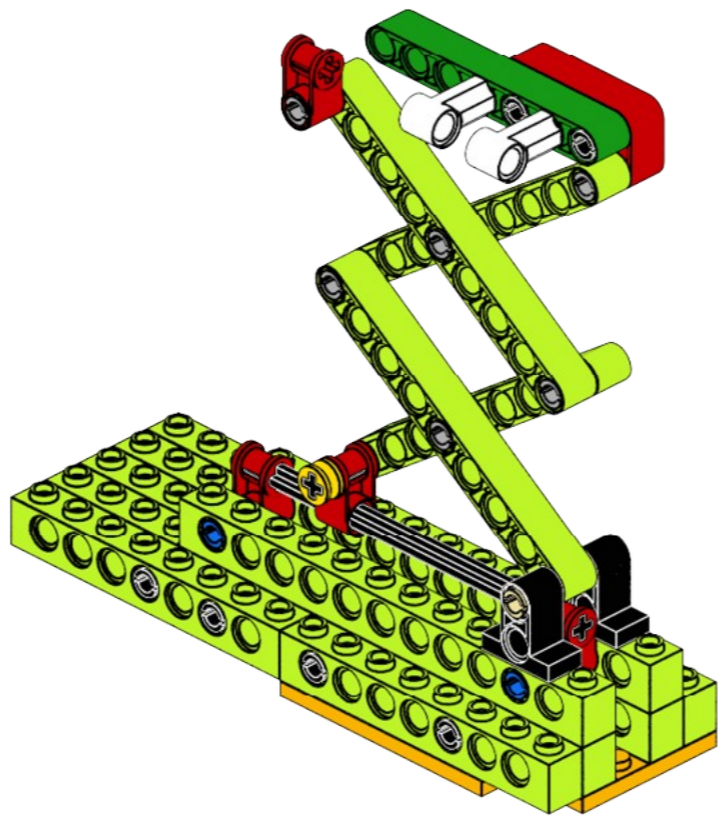


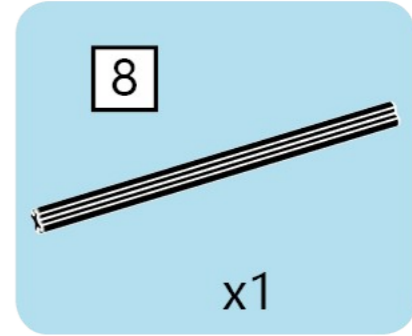
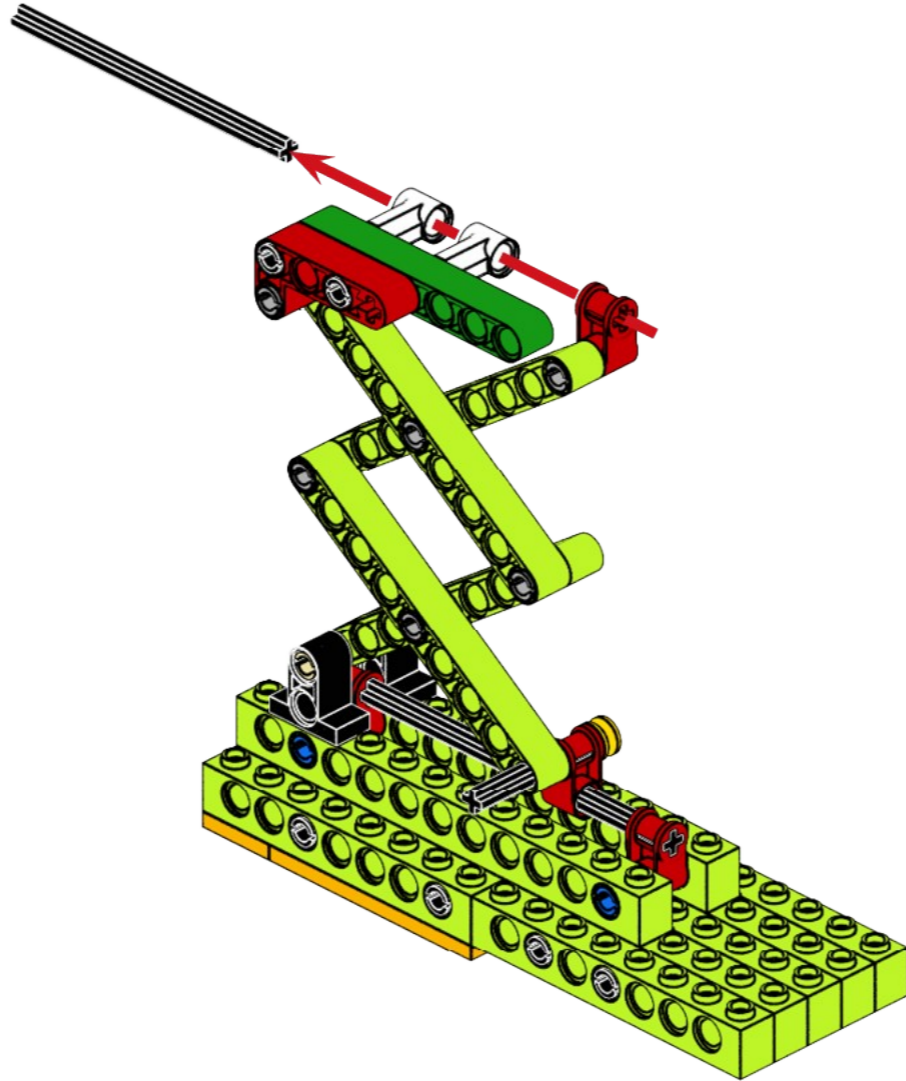


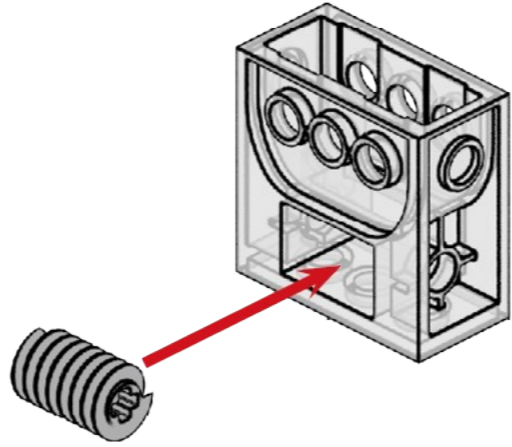
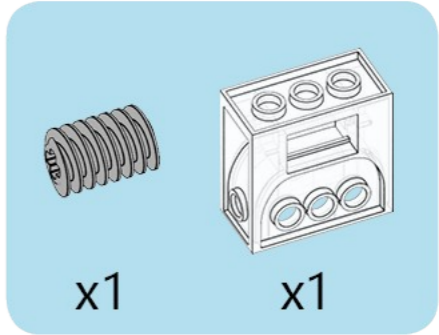


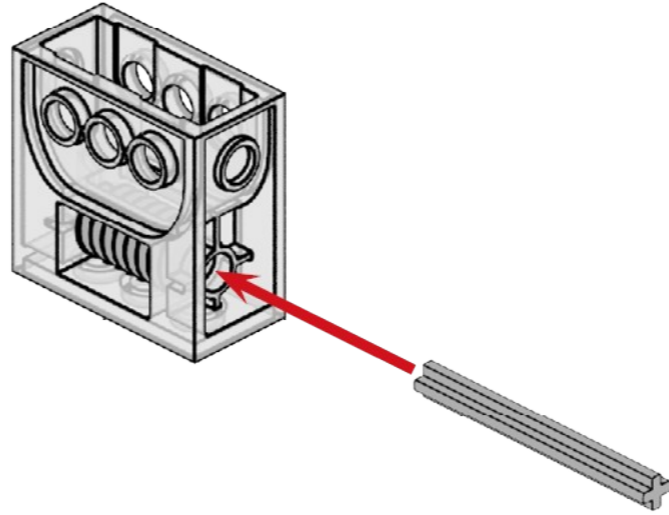
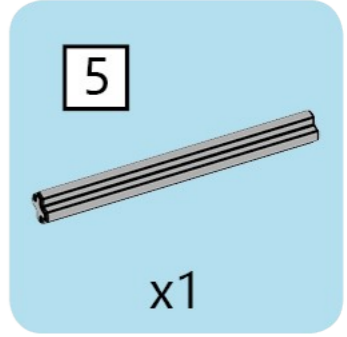






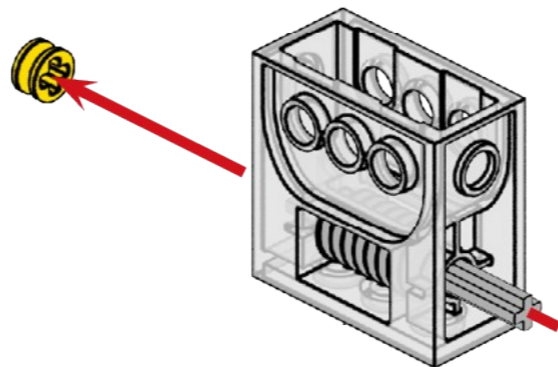






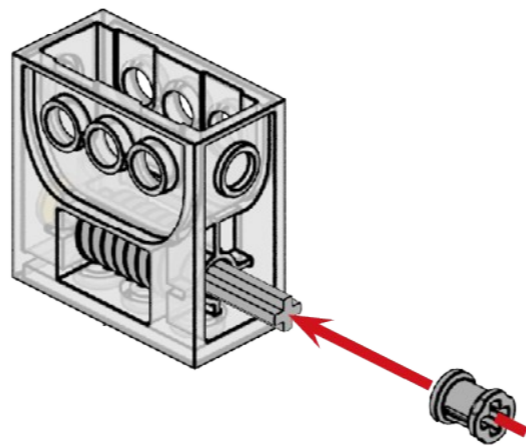


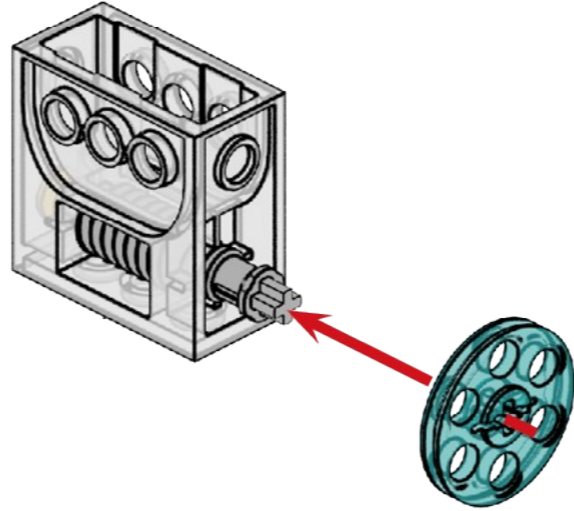
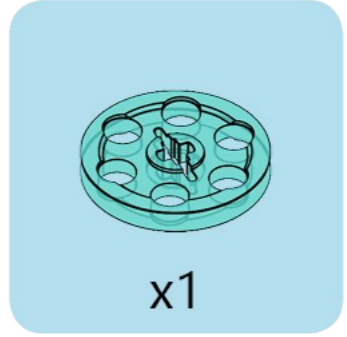
x1

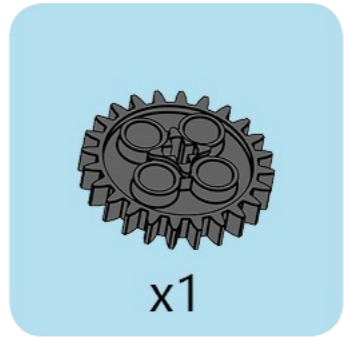
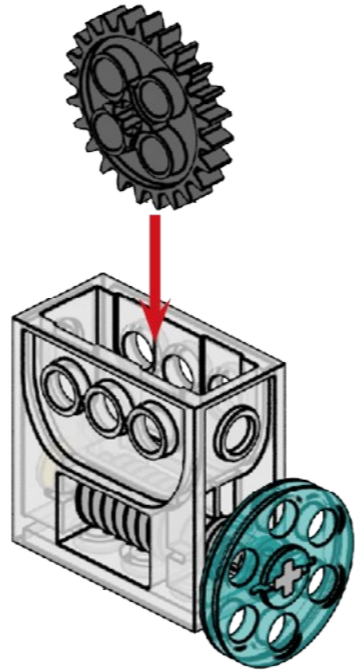


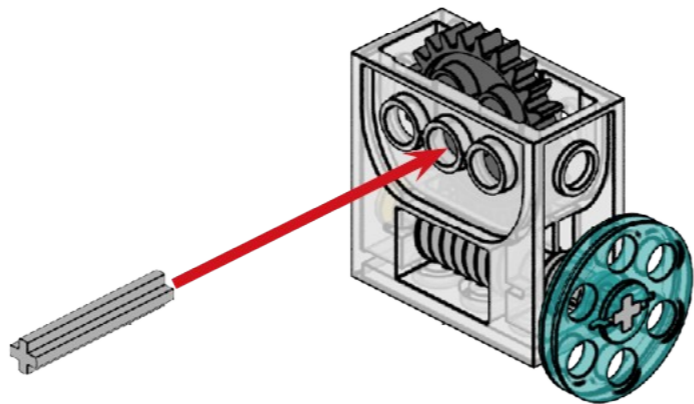
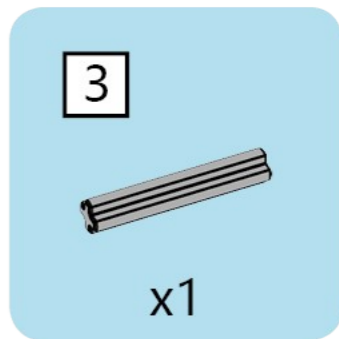


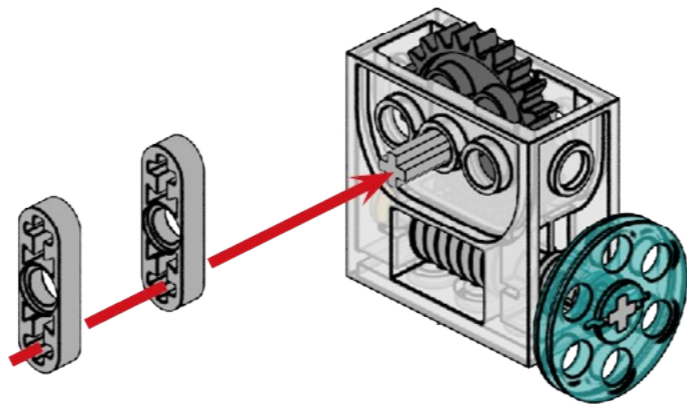
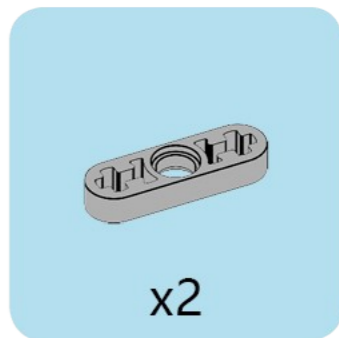
x1

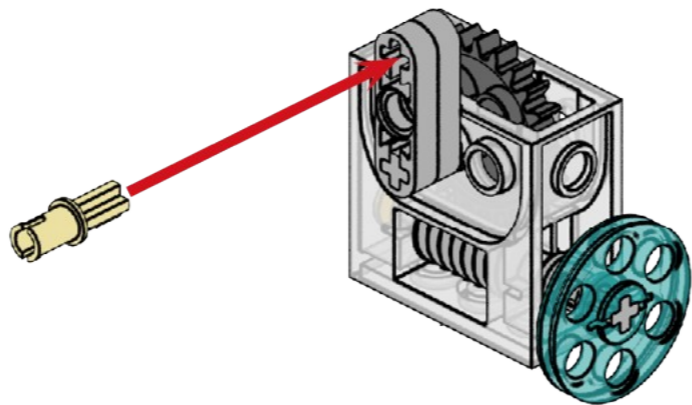
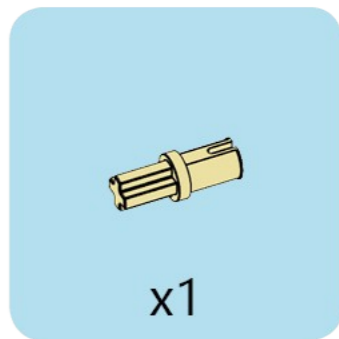


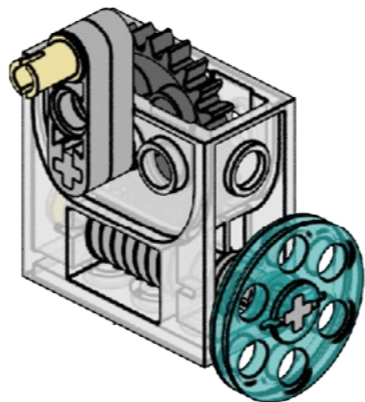


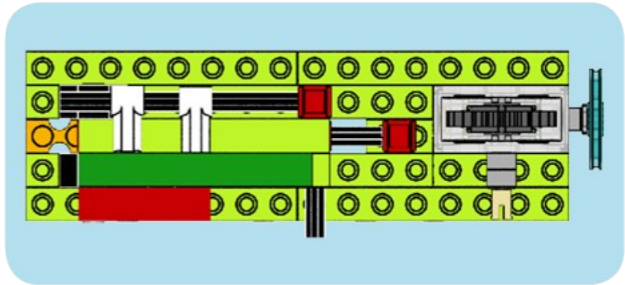
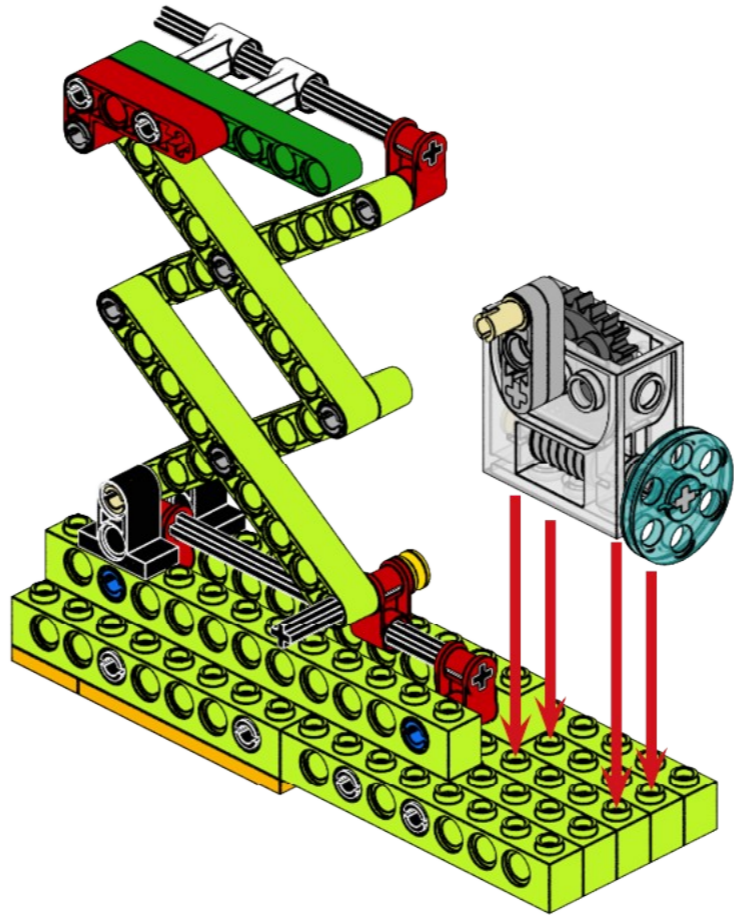


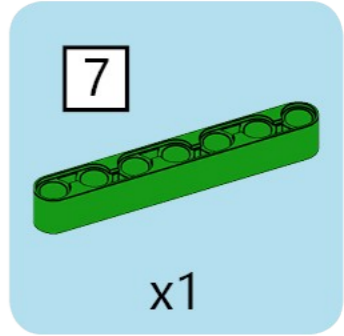
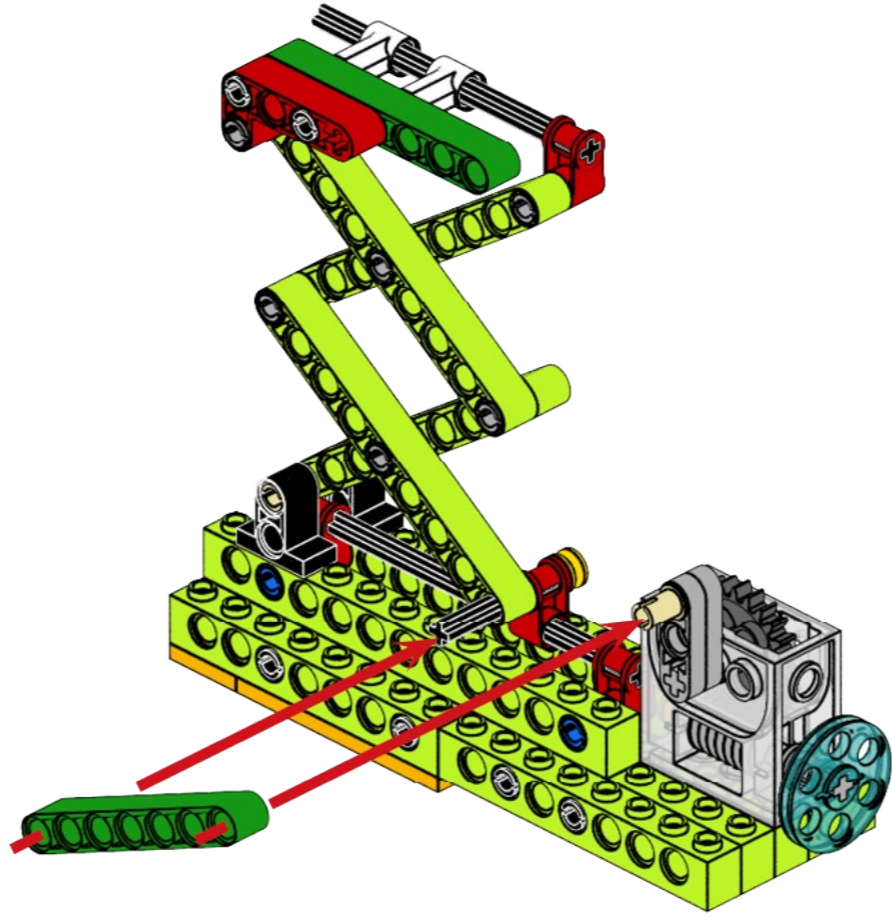


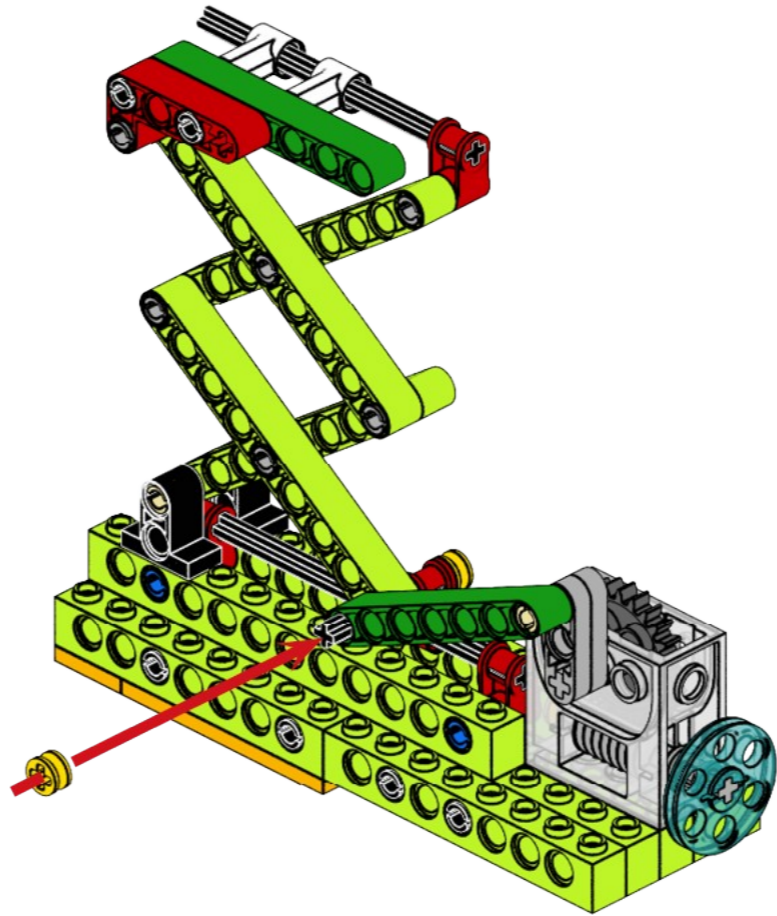




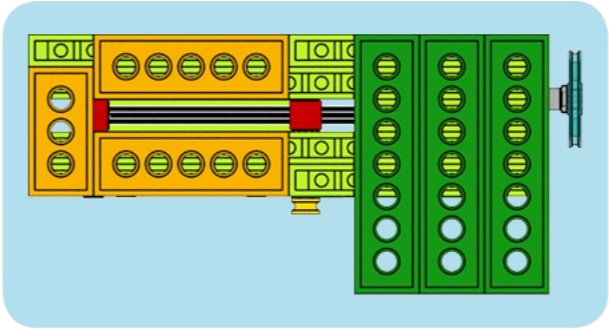
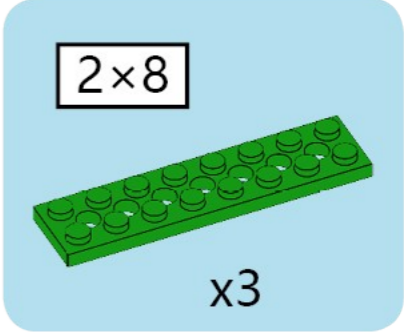
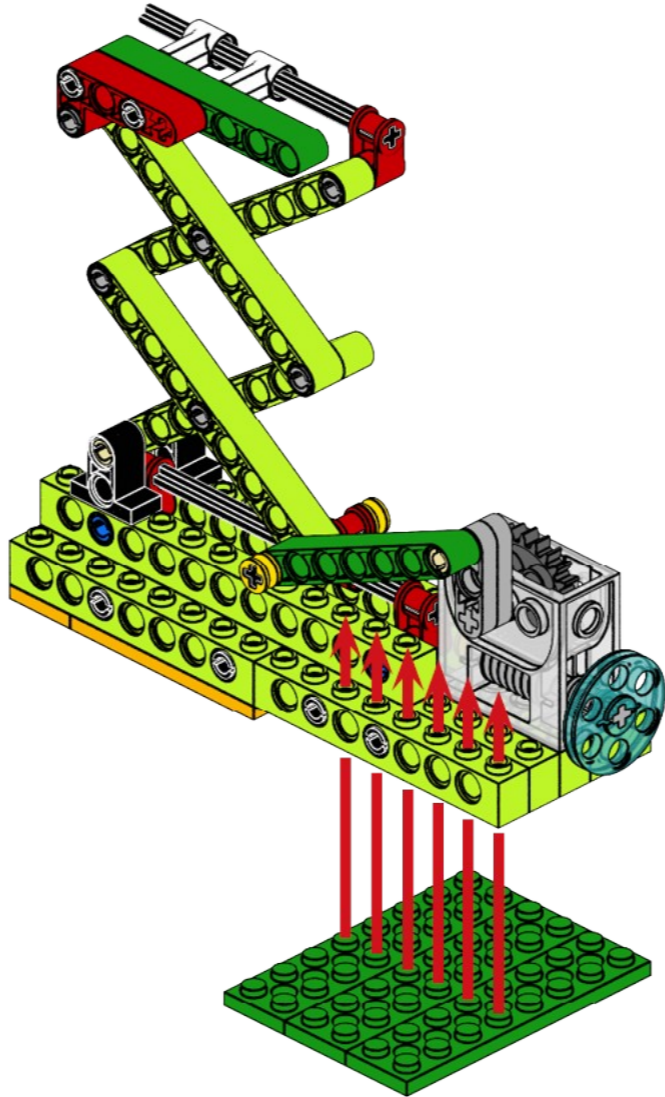


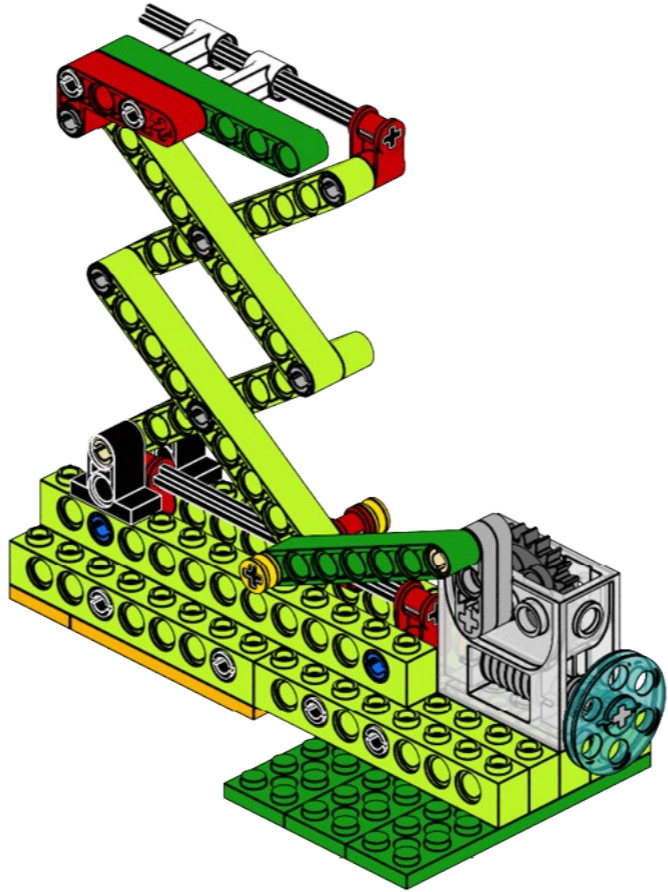






x1



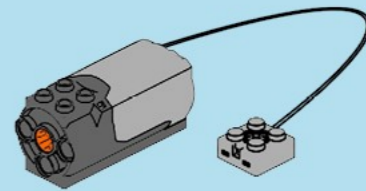




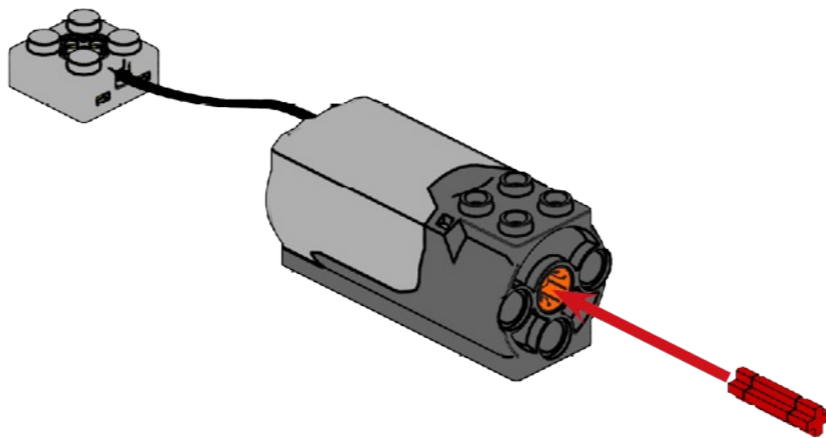
2



x1

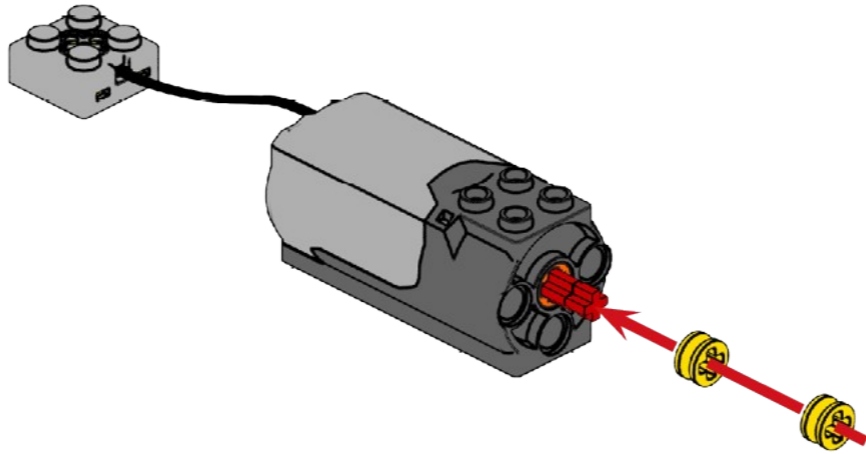


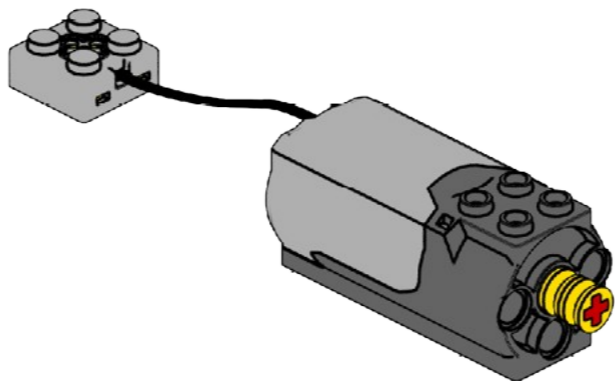
x1

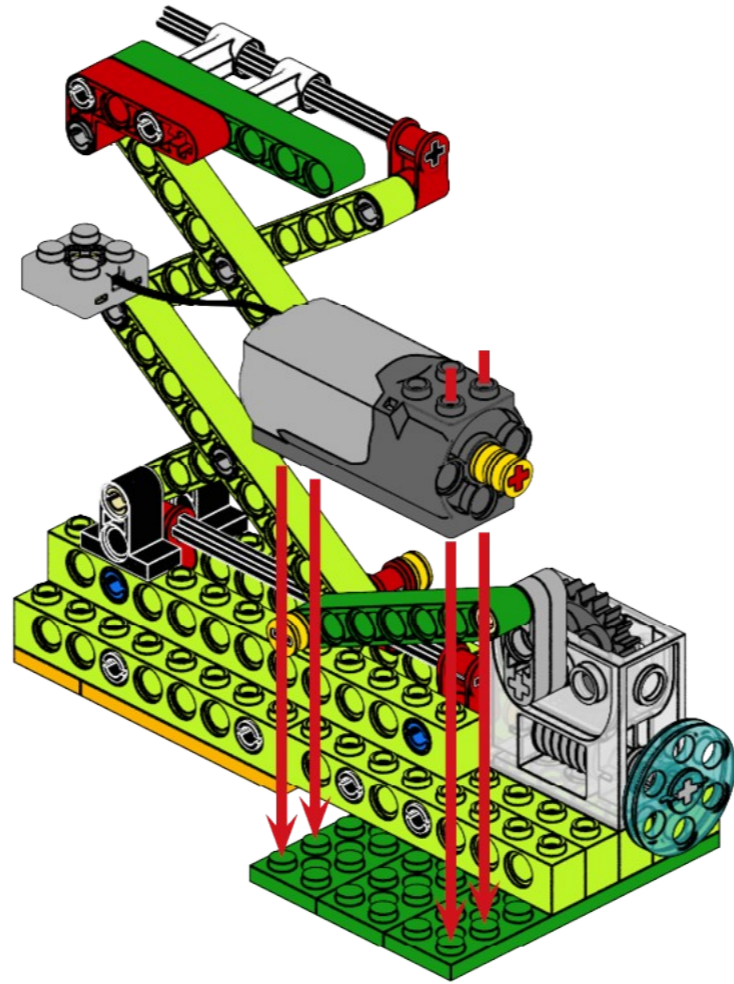


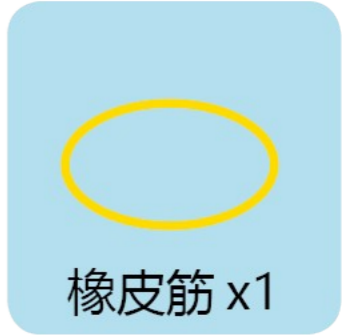
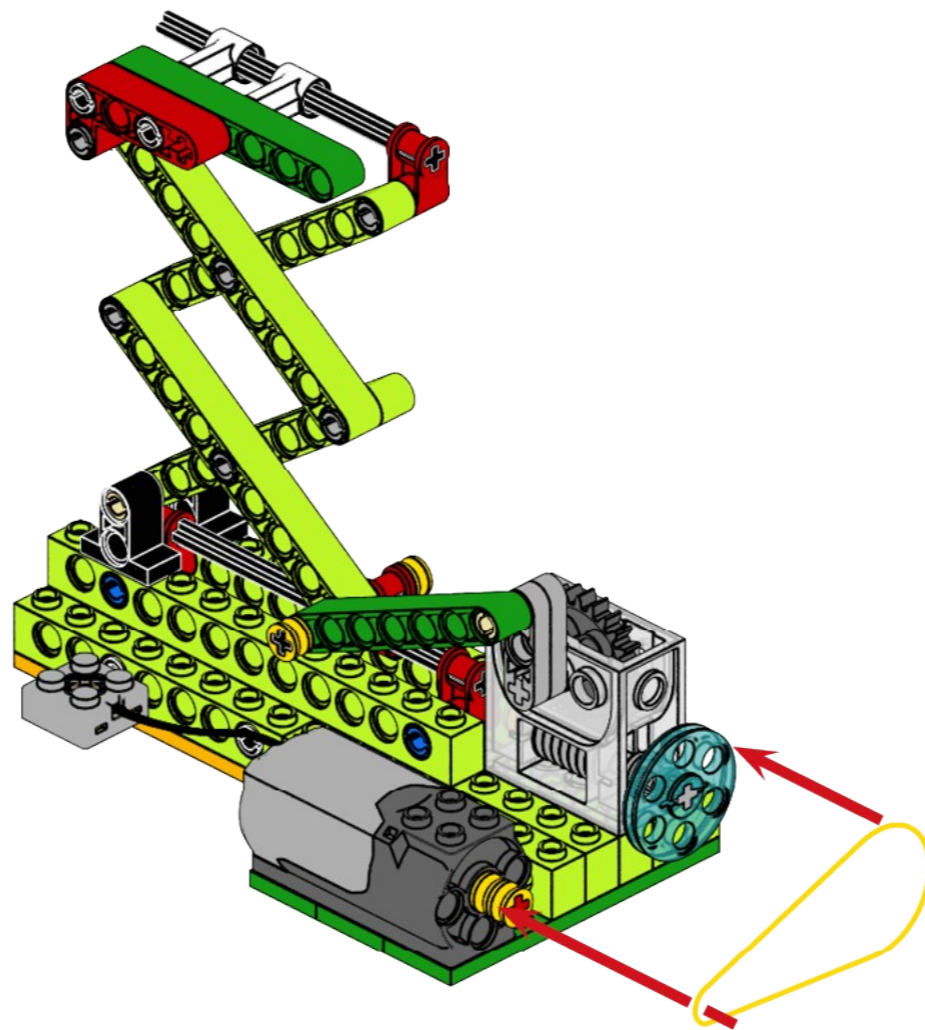


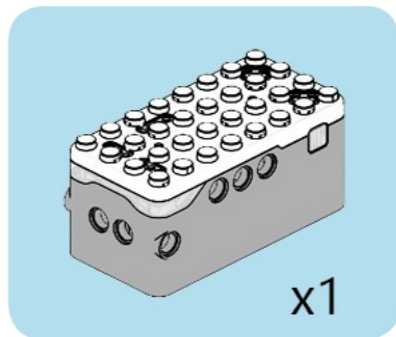
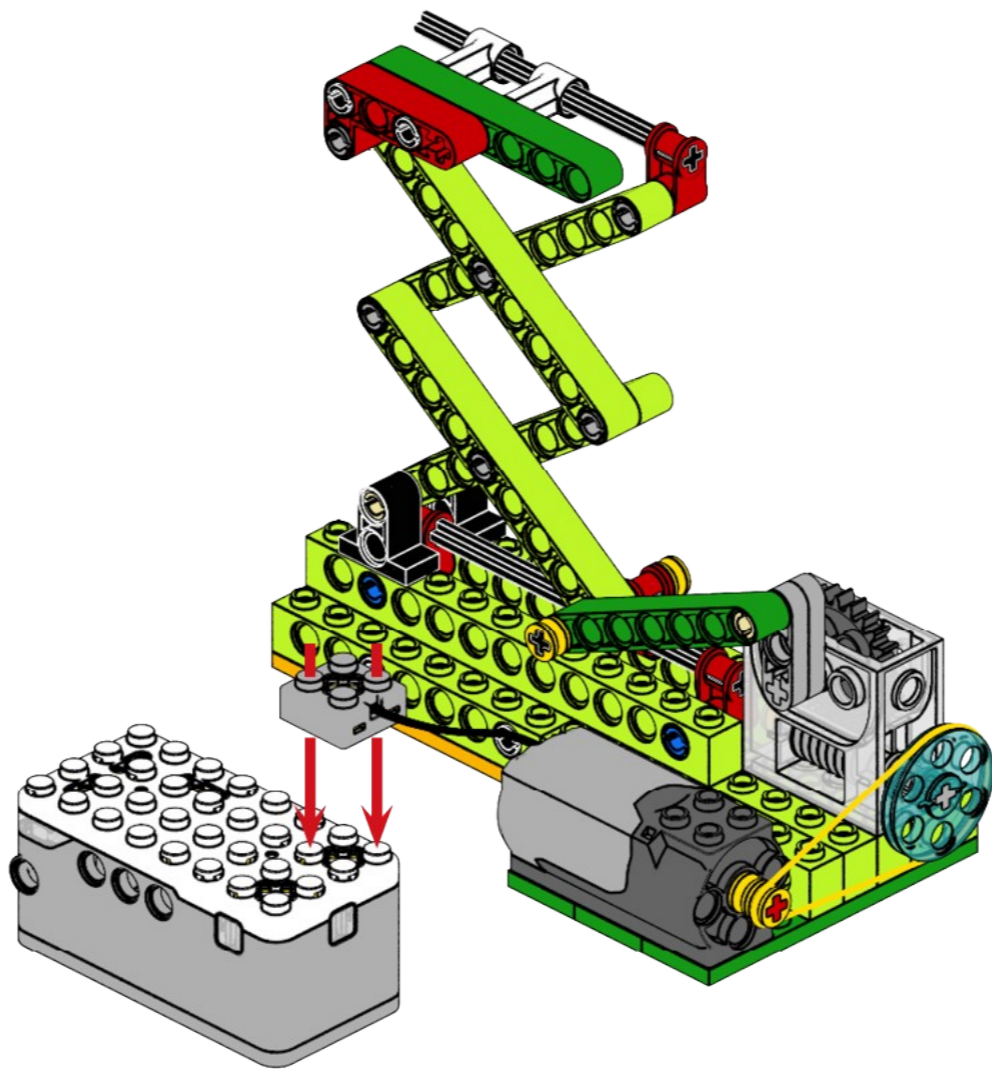
x2

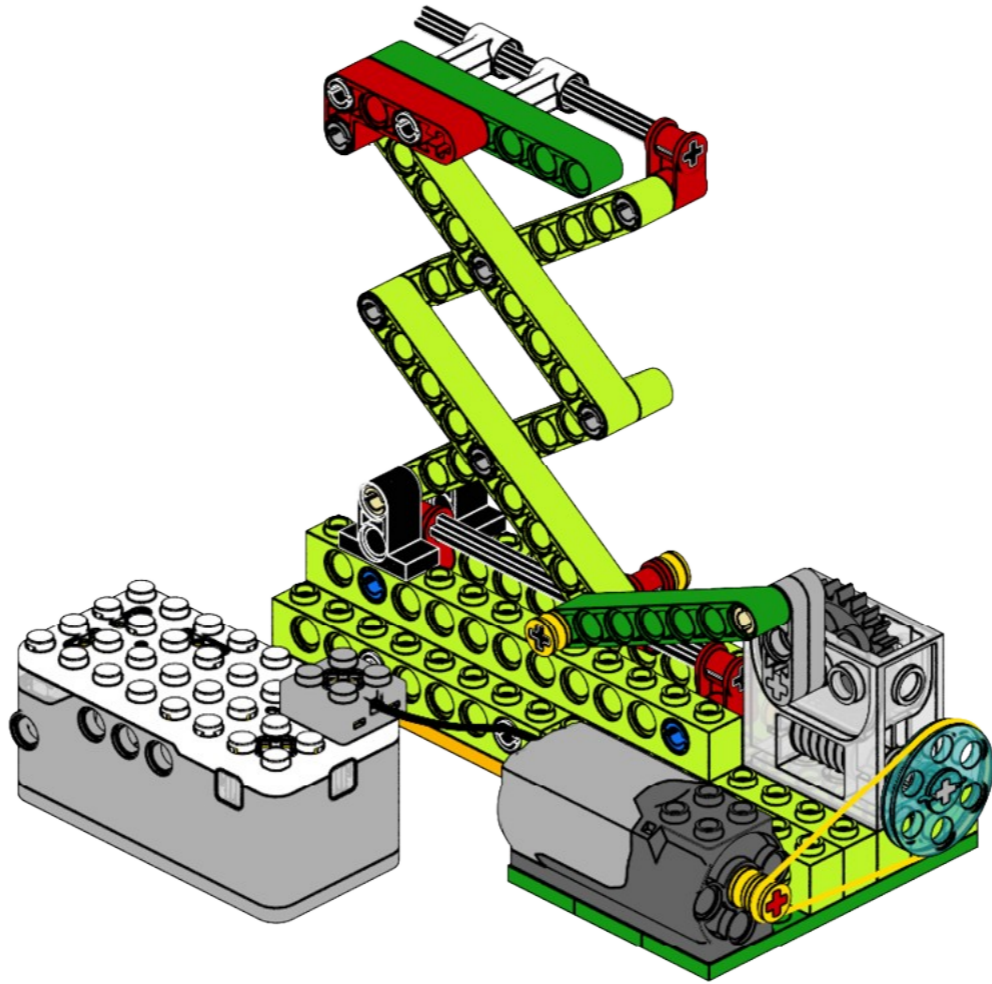


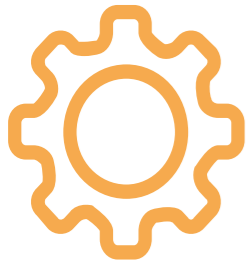




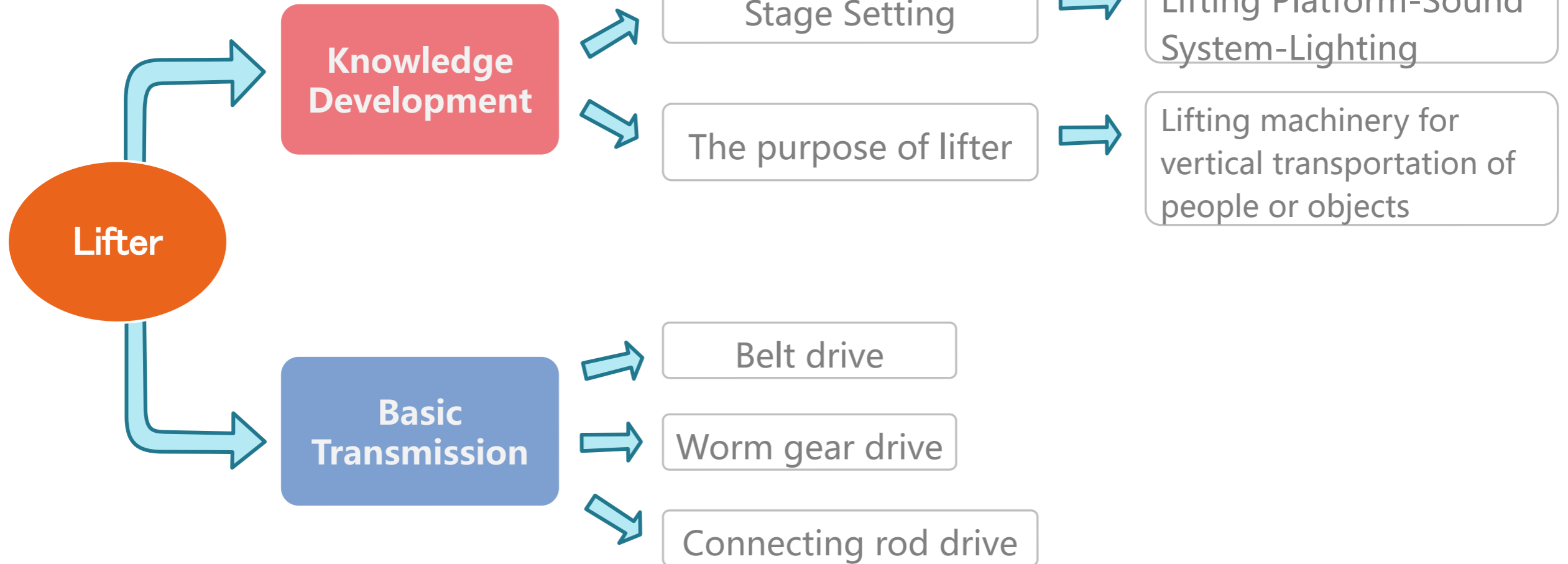






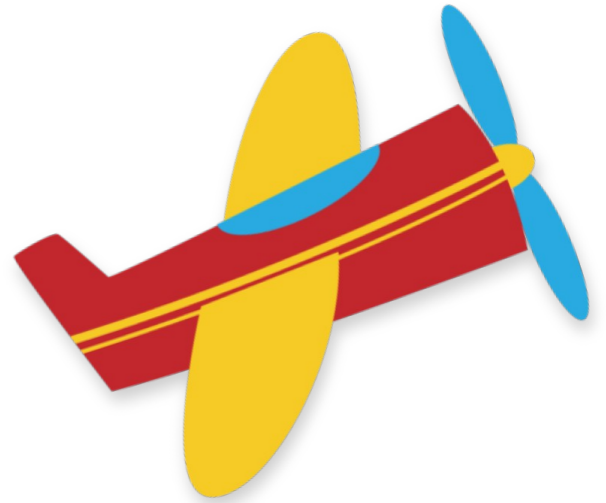


Review





Talk





THANKS

