



**Logic**

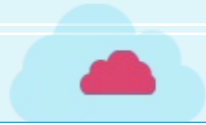
**Space**



**Coding**



**Focus**



# Classroom Discipline

**01**

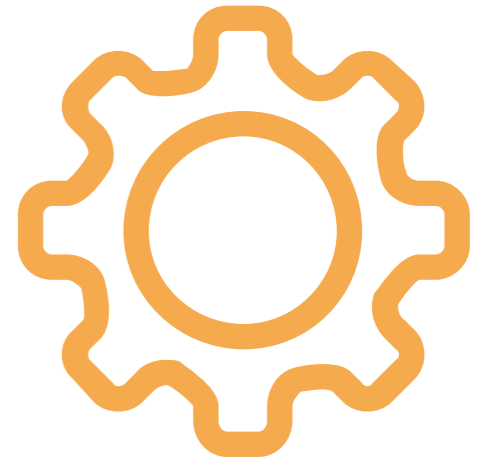
Please sit down and keep quiet in class.

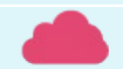
**02**

Please raise your hand if you have any questions

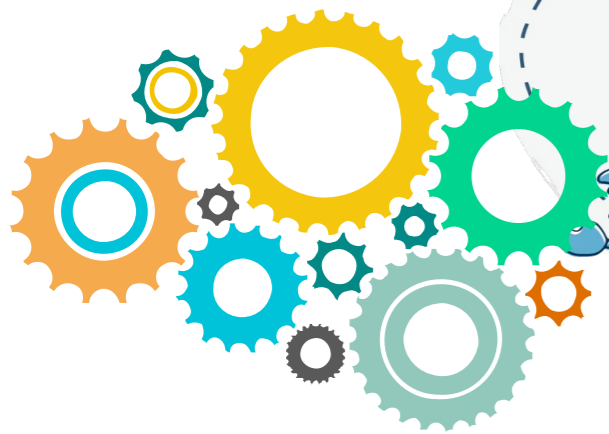
**03**

Please observe carefully when the pictures are played.



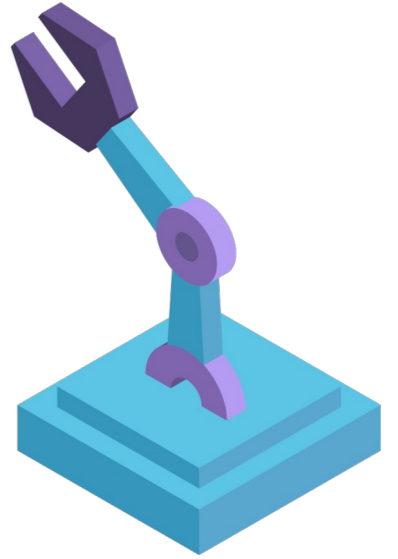


# The Diligent Donkey





**Think**



**1、 Kids, come and guess what these are?**

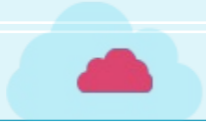
**2、 How do they turn into powder?**





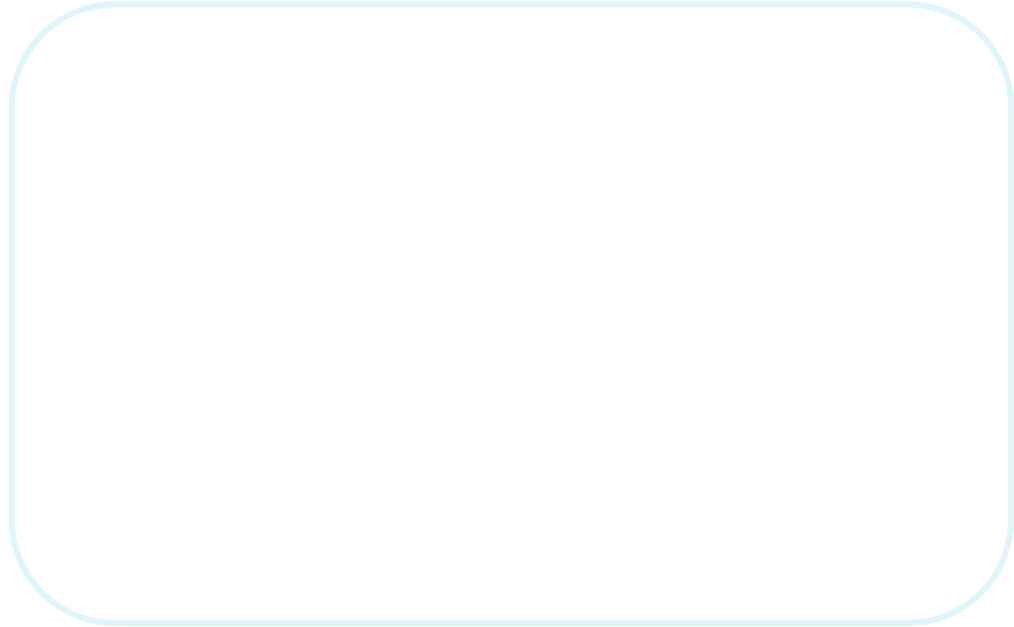
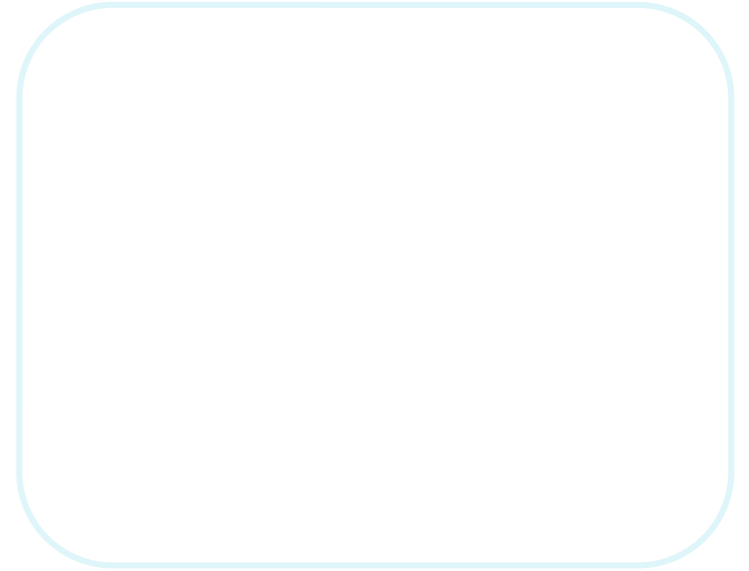
**Explore**





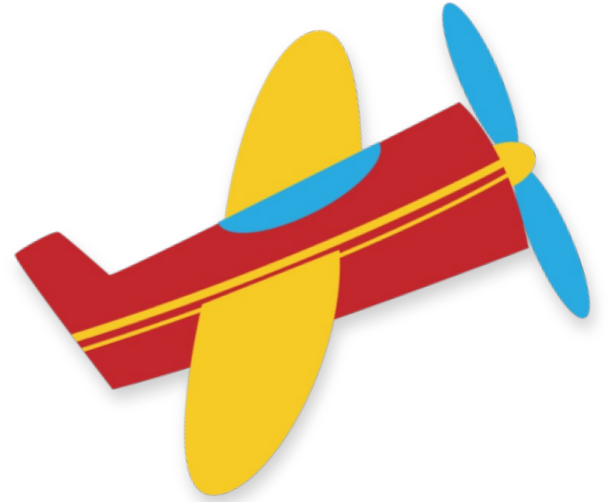
**1. Do you know what this is?**

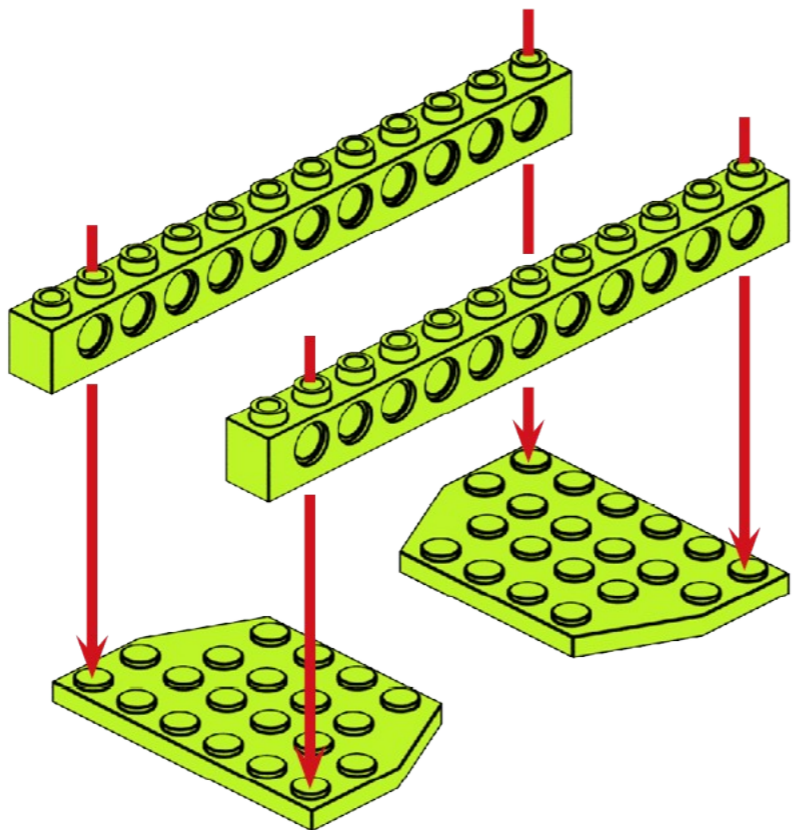
**2. How did people in ancient times grind these hard objects into powder?**



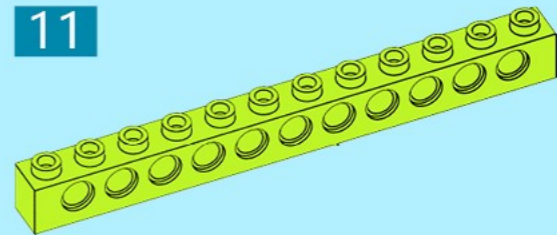


**Build**

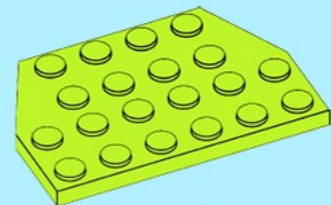




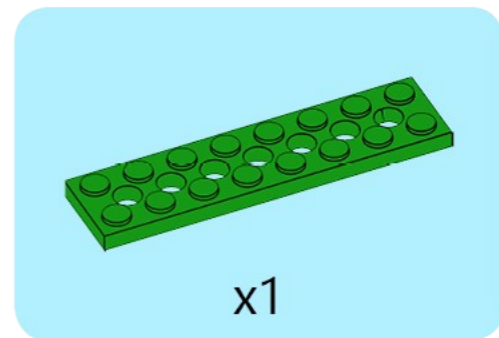
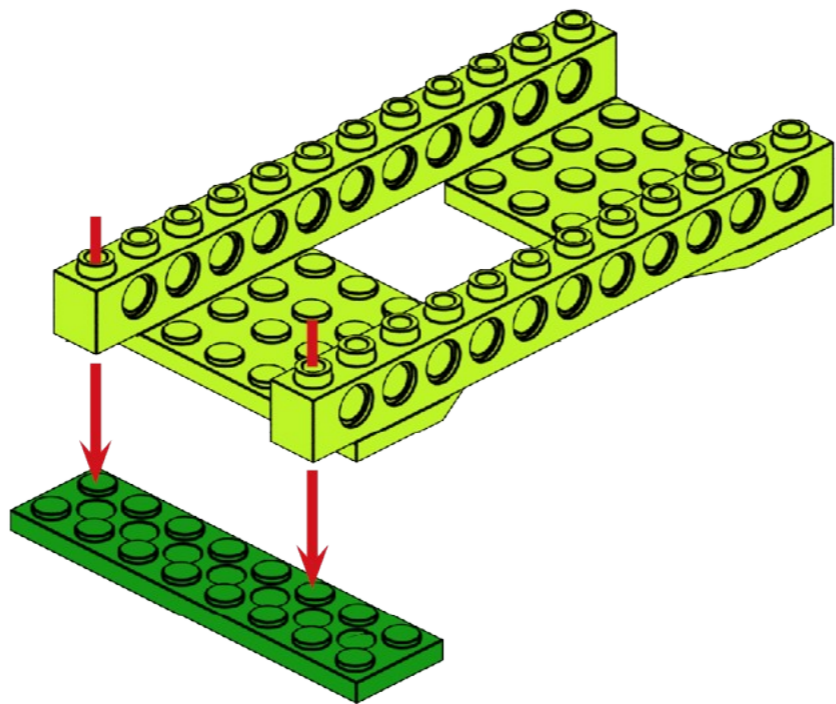
11

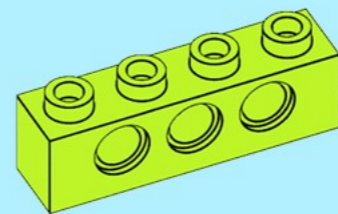
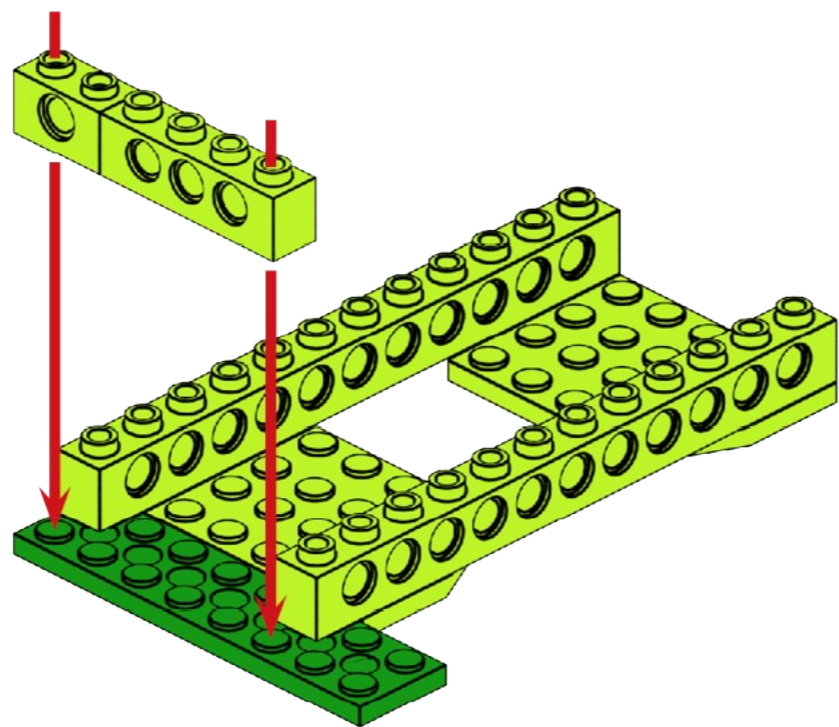


x2

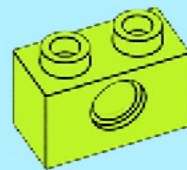


x2

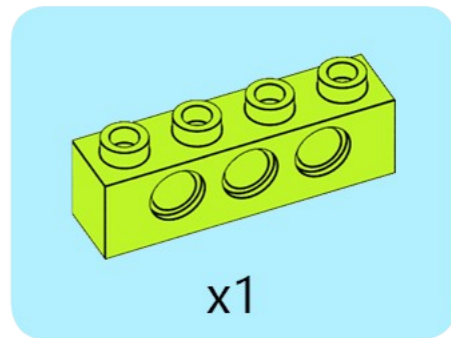
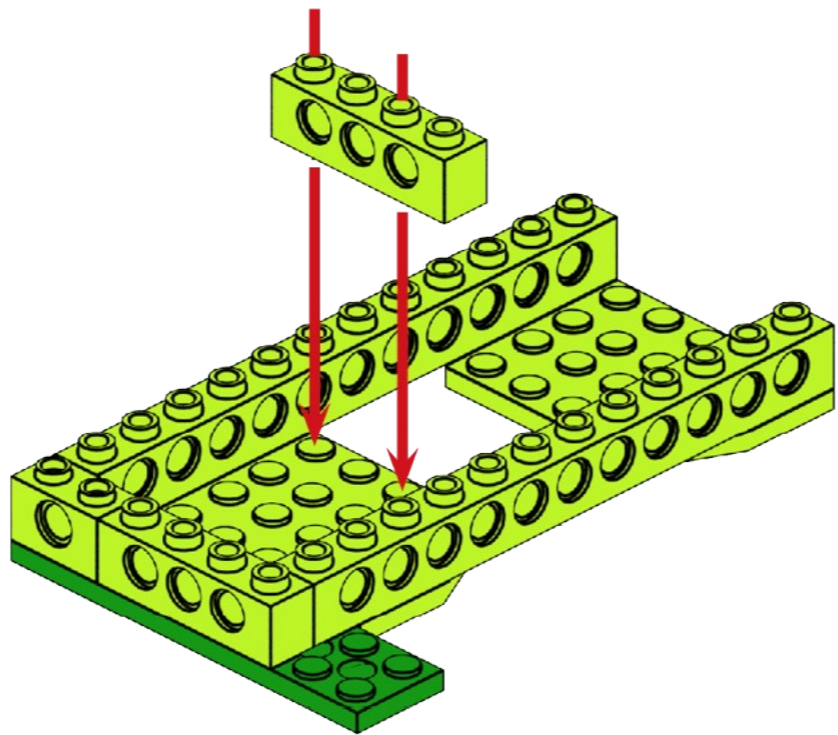


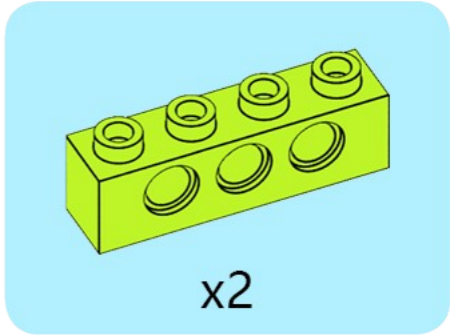
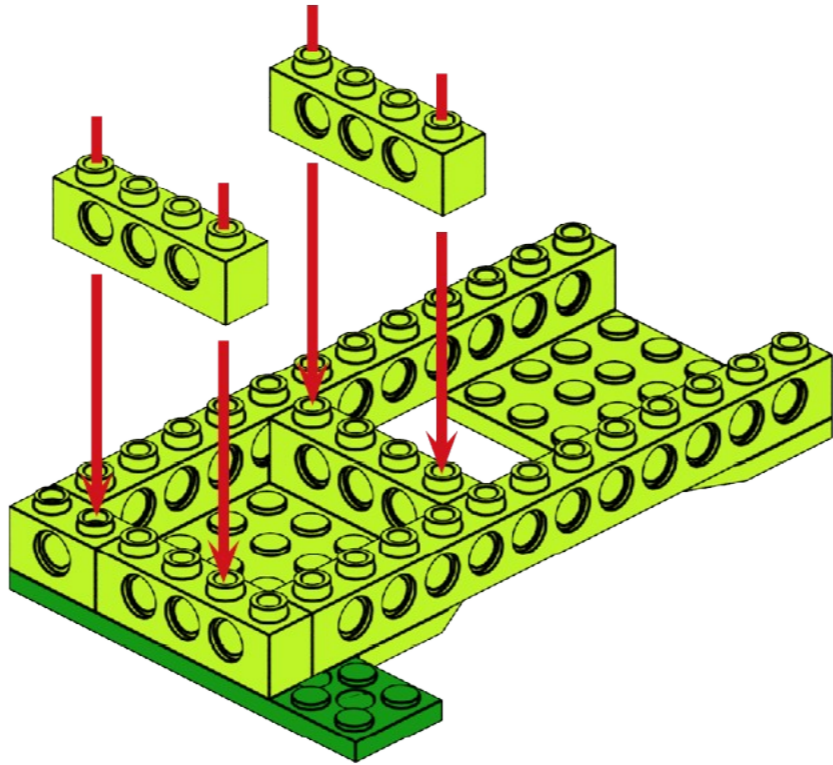


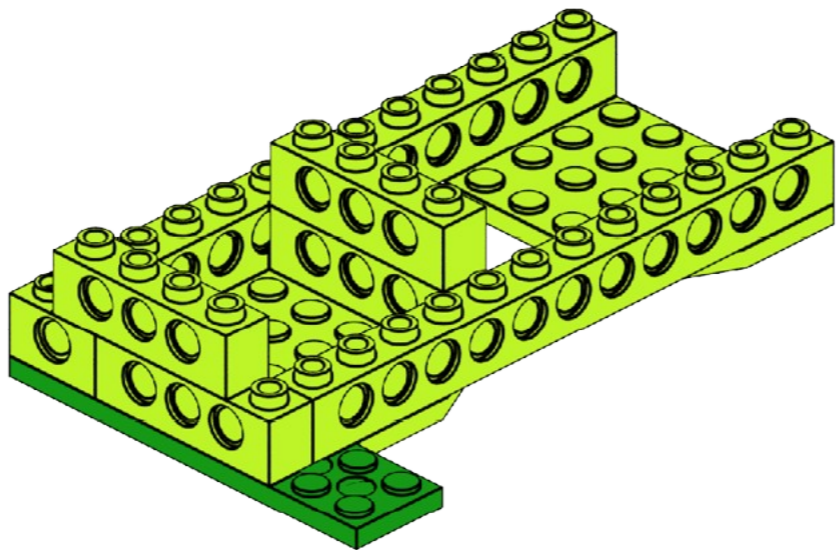
x1



x1

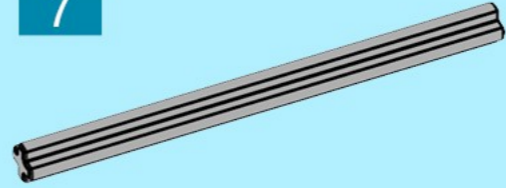








7



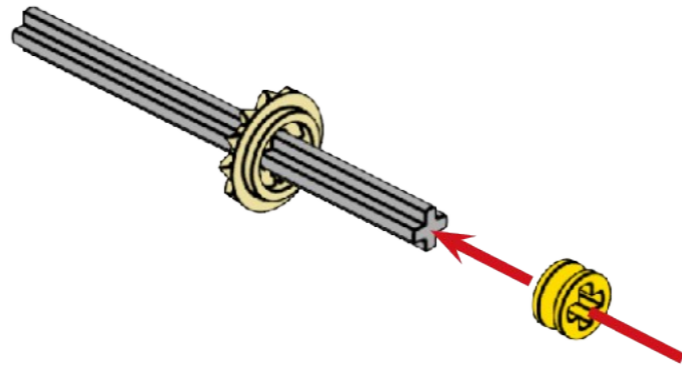
x1

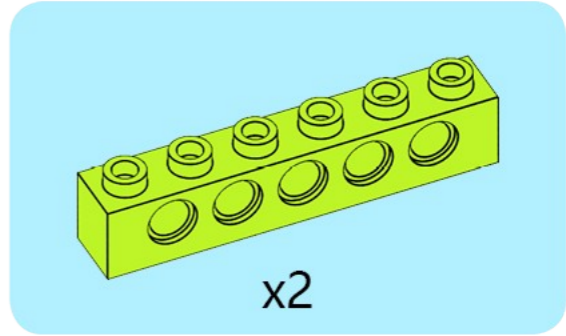
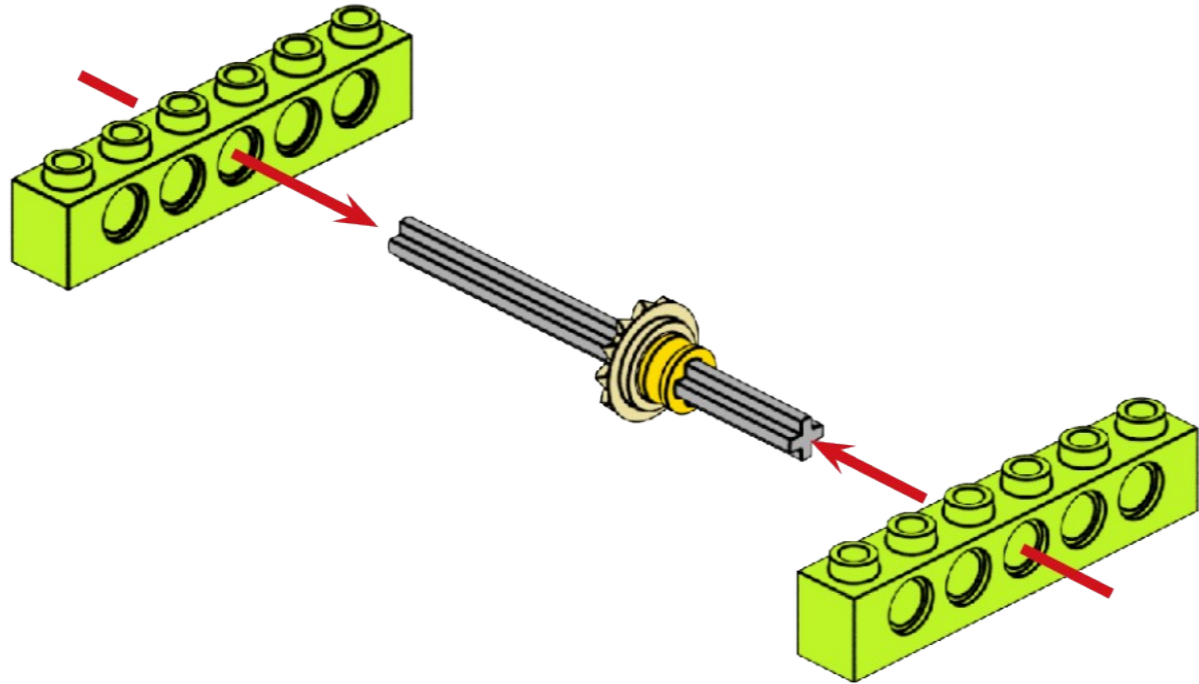


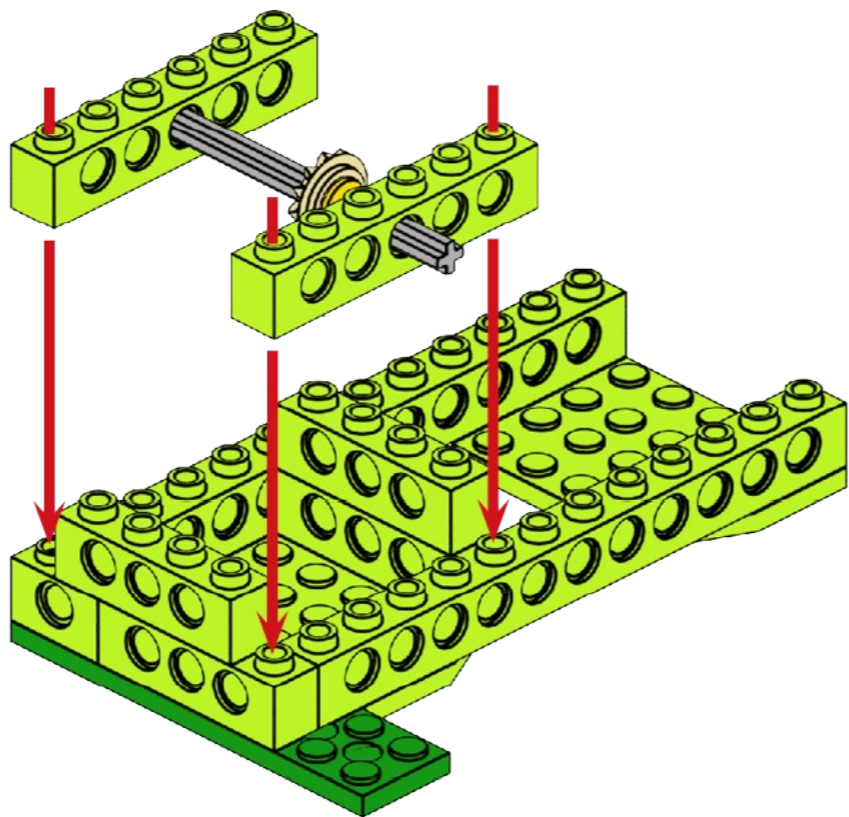
x1

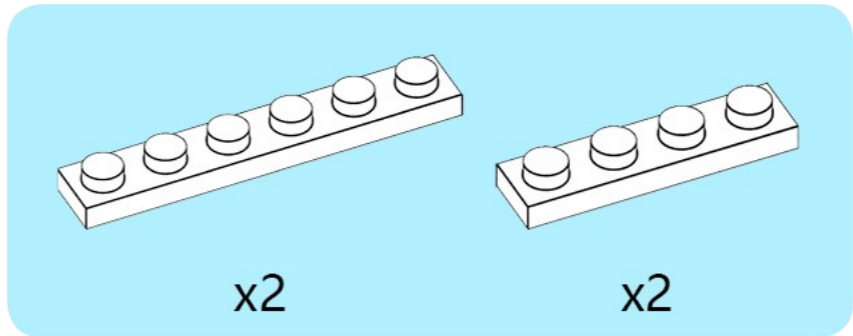
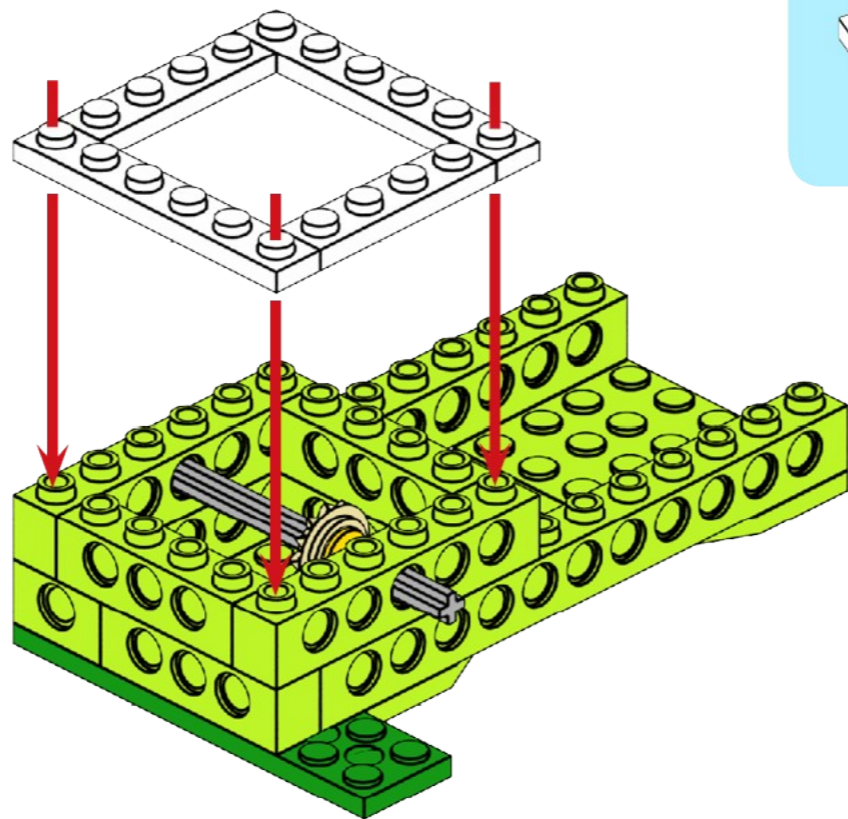


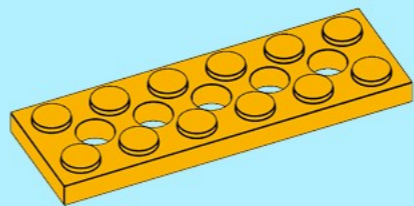
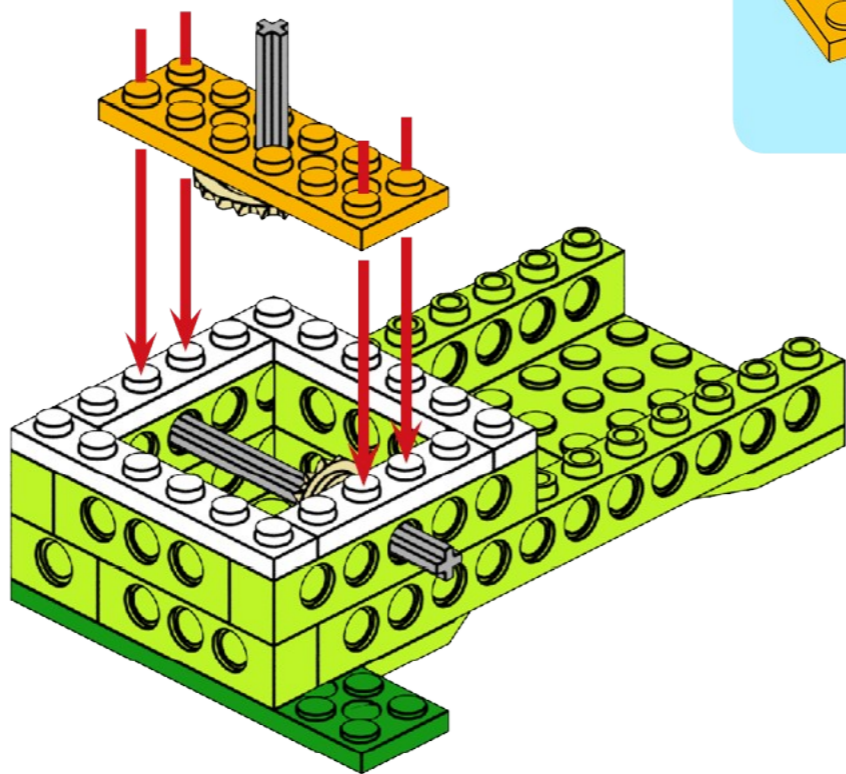
x1



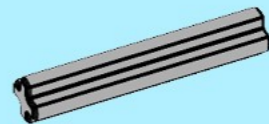








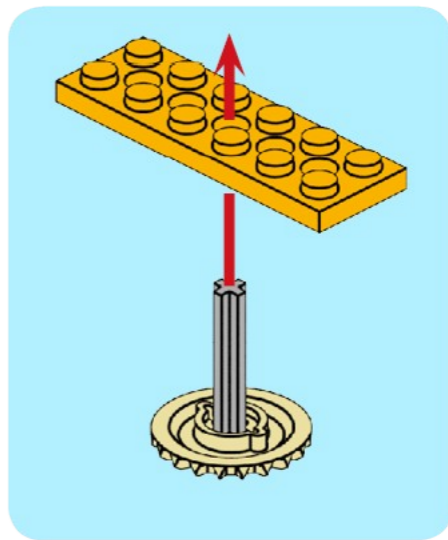
x1

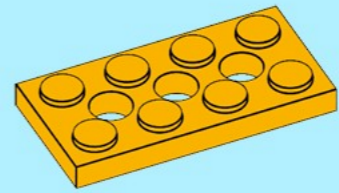
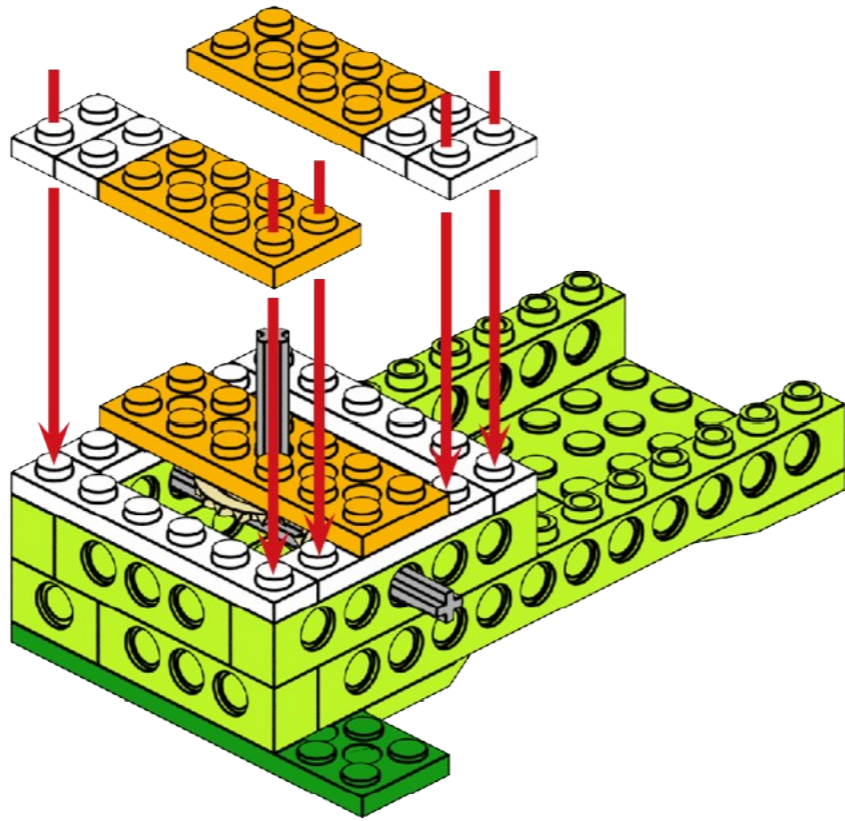


x1

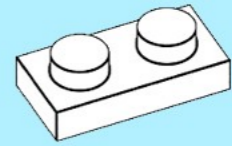


x1

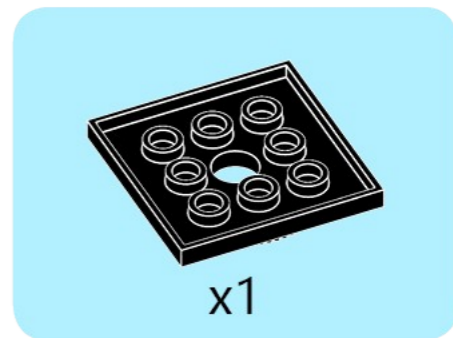
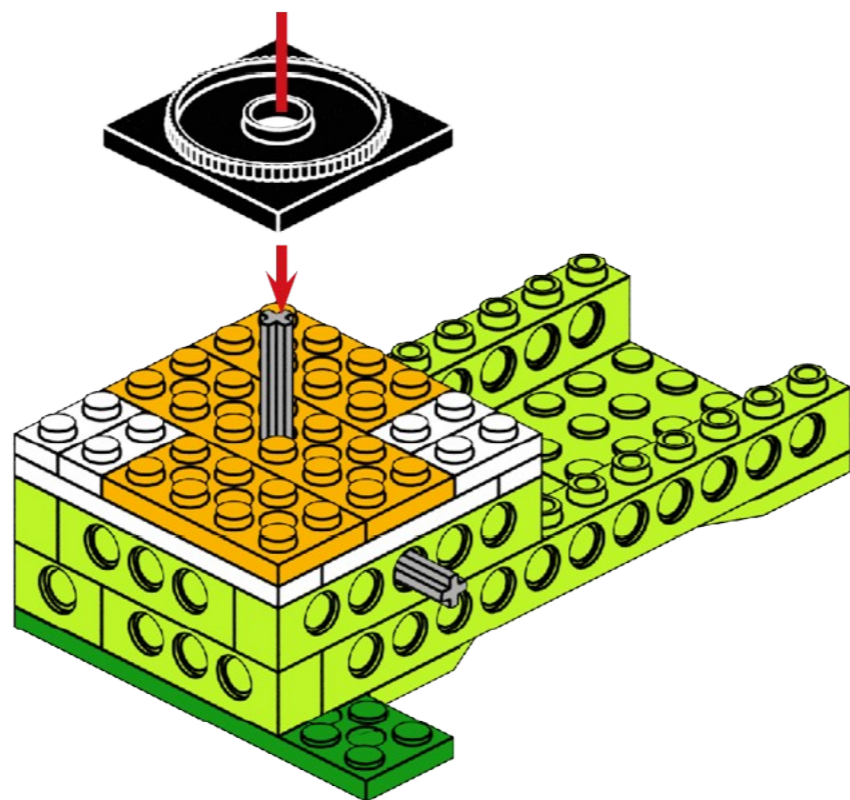


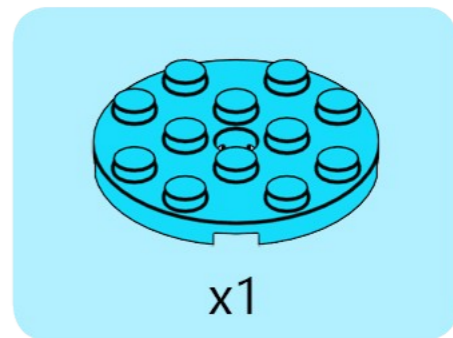
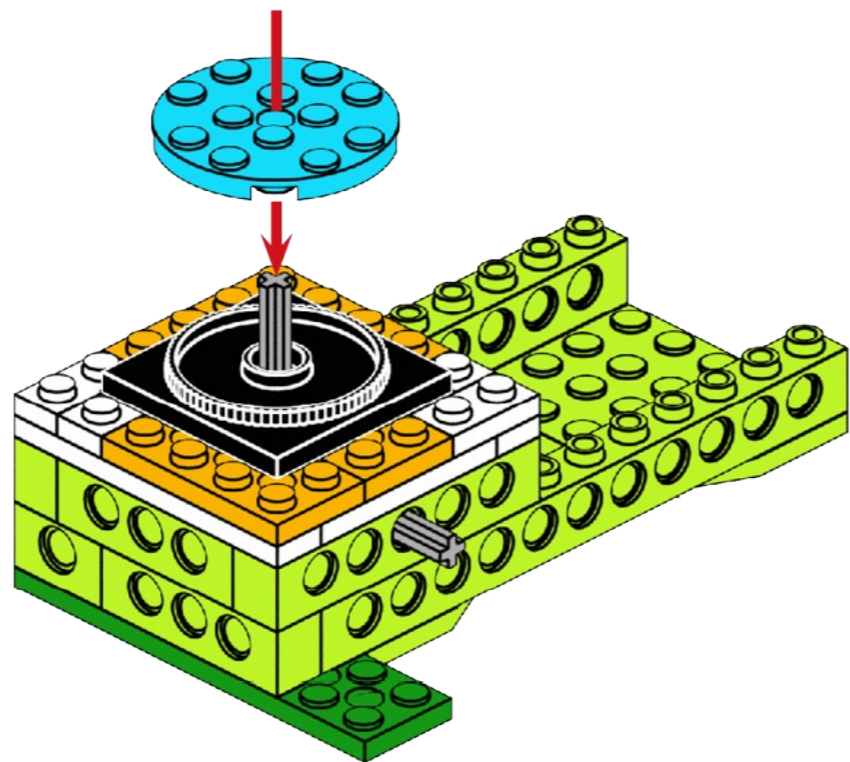


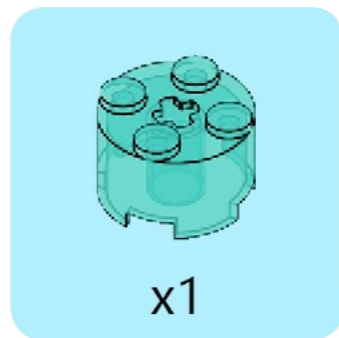
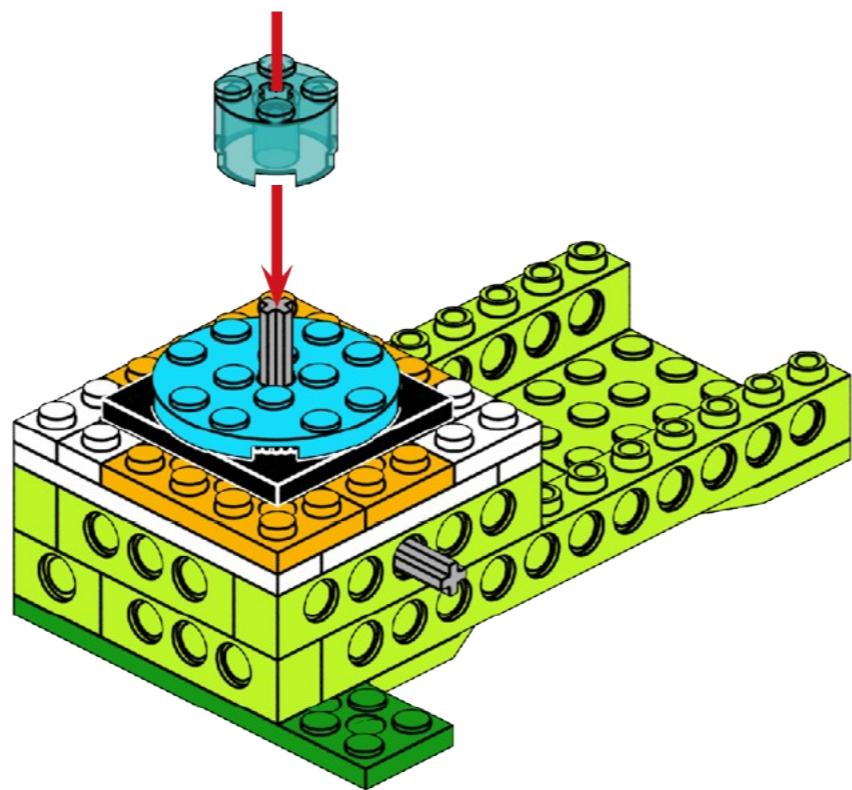
x2

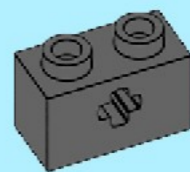
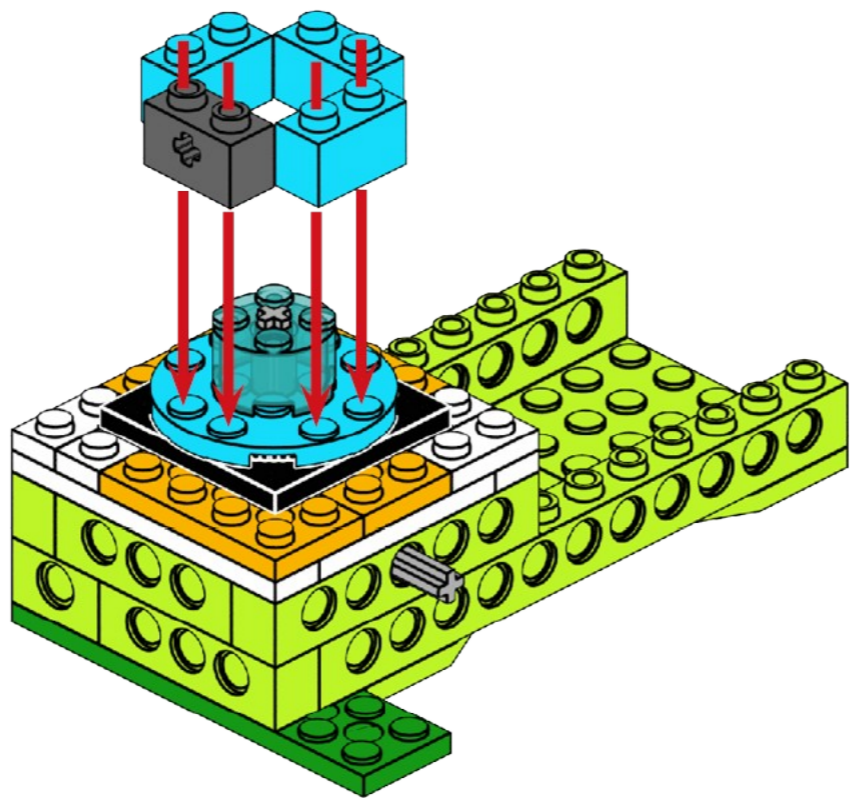


x4

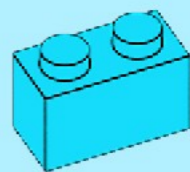




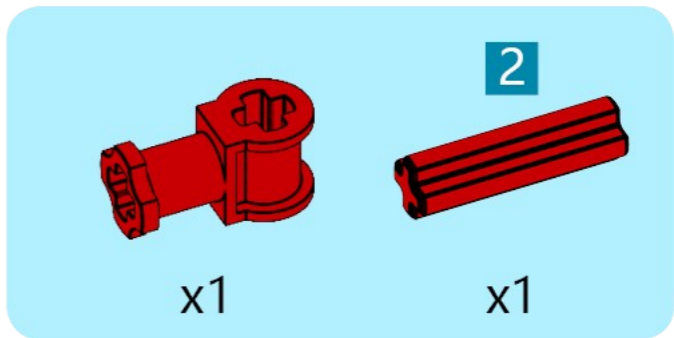
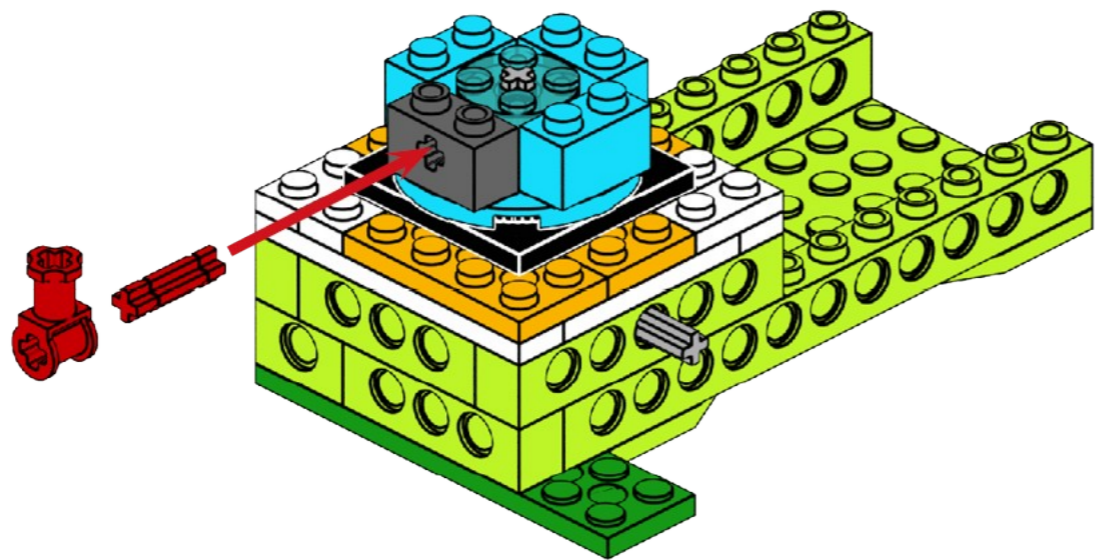


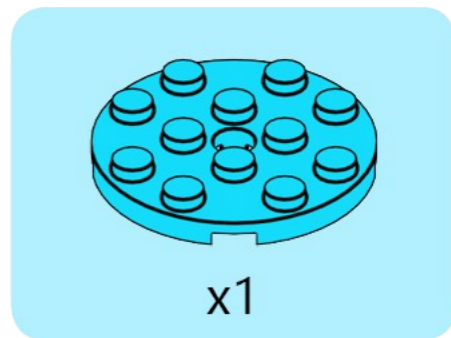
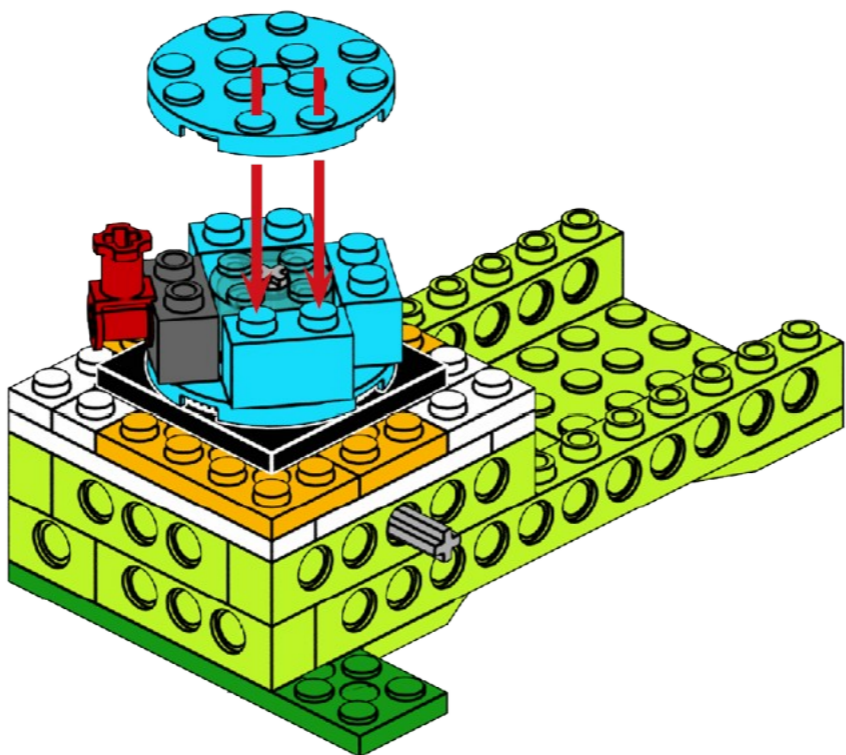


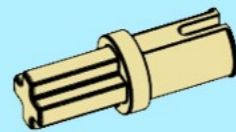
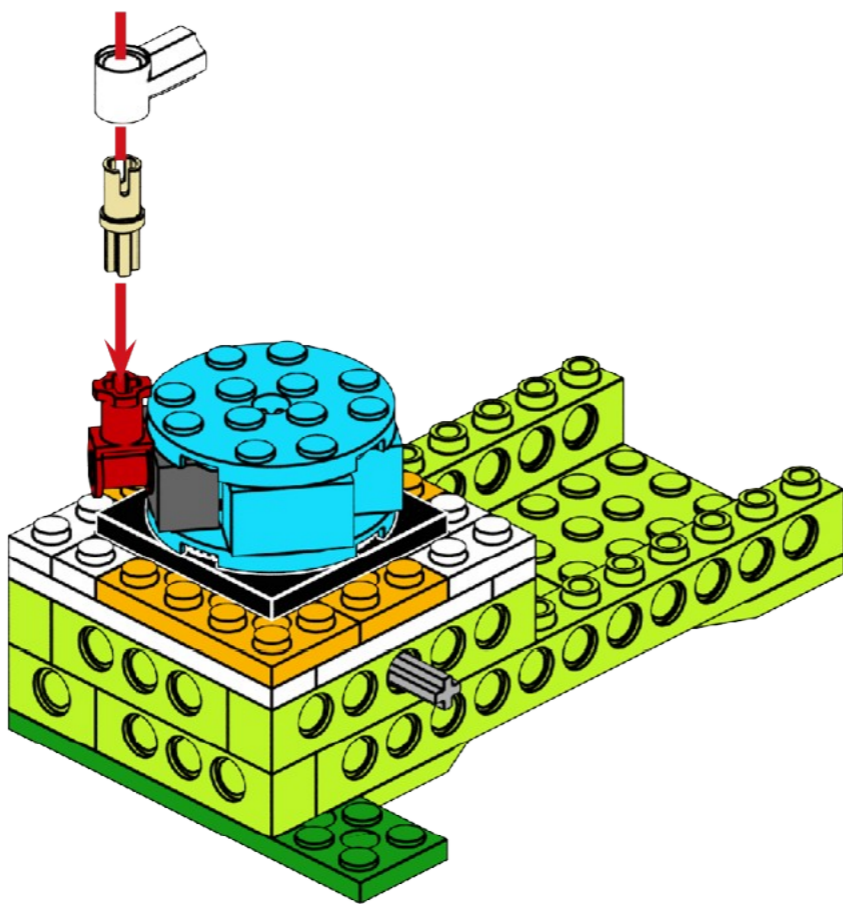
x1



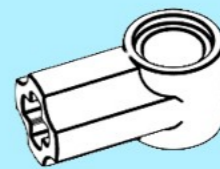
x3



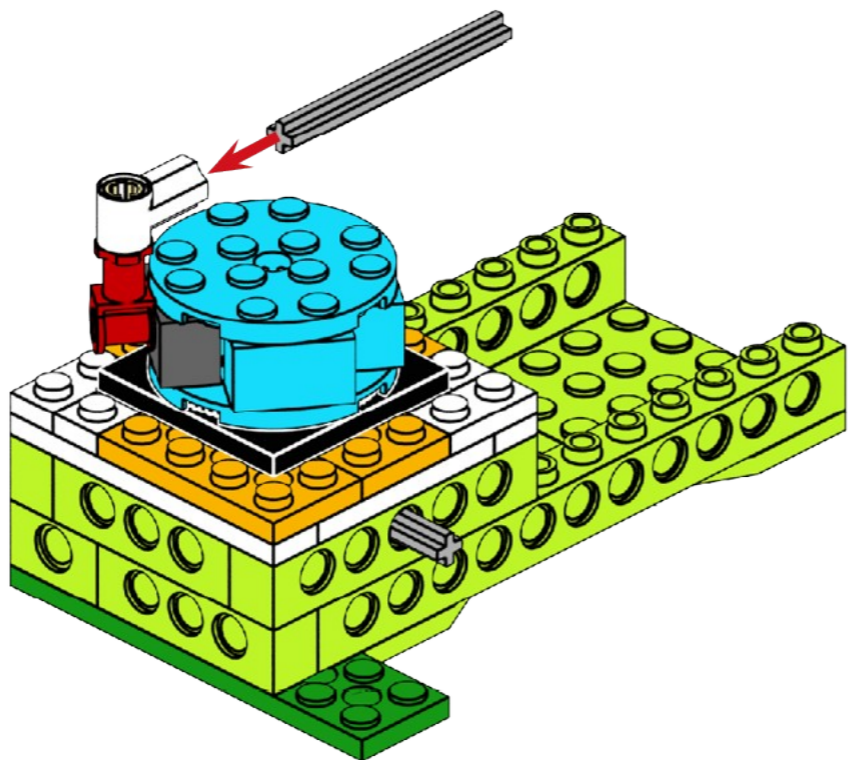




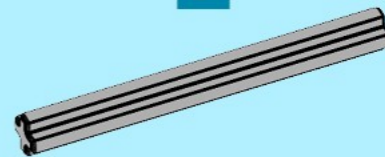
x1



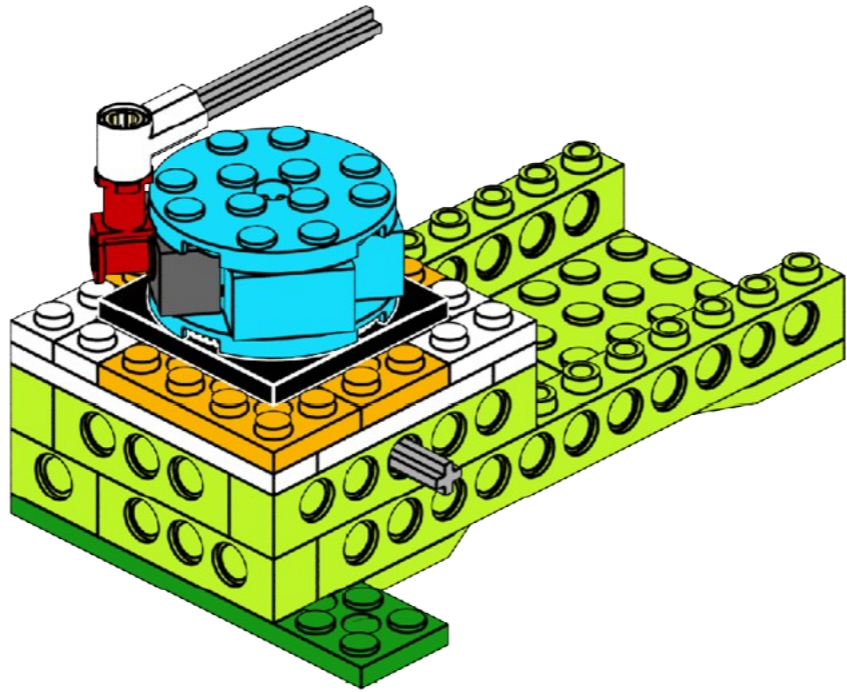
x1

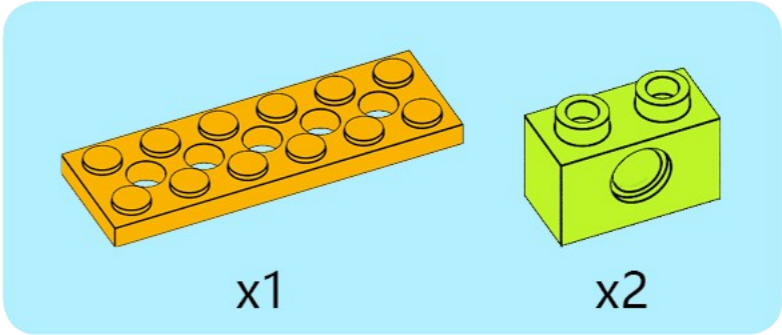
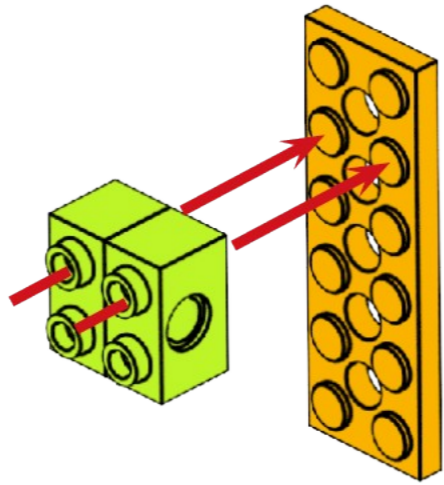


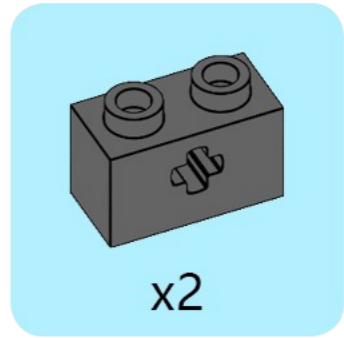
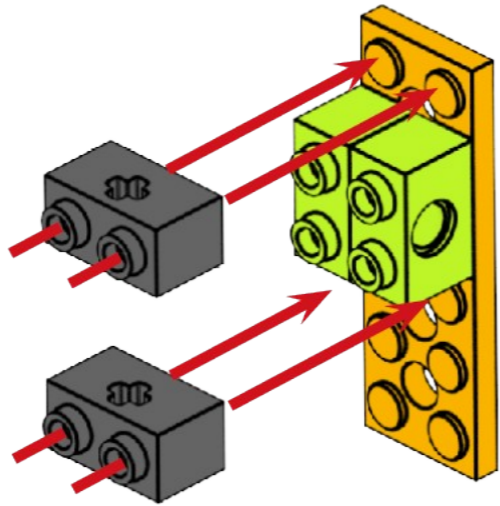
5

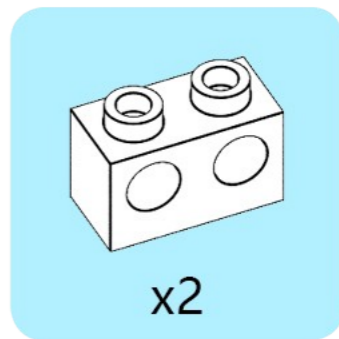
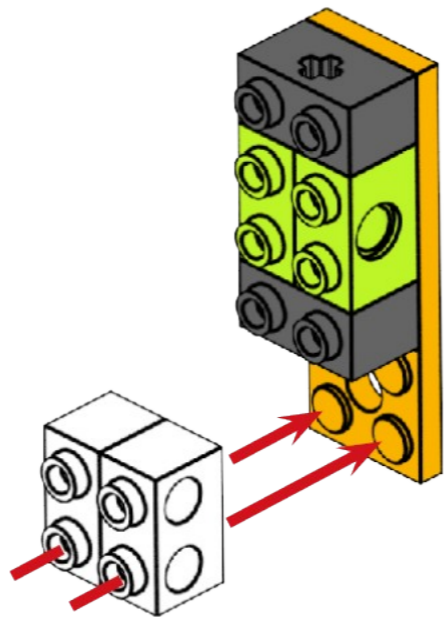


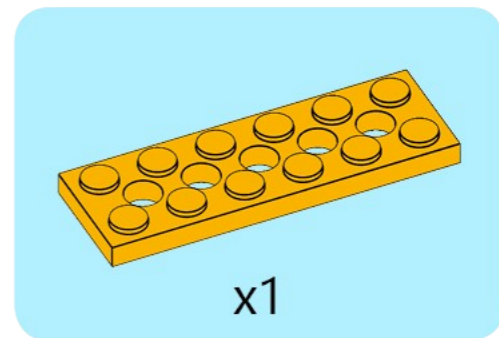
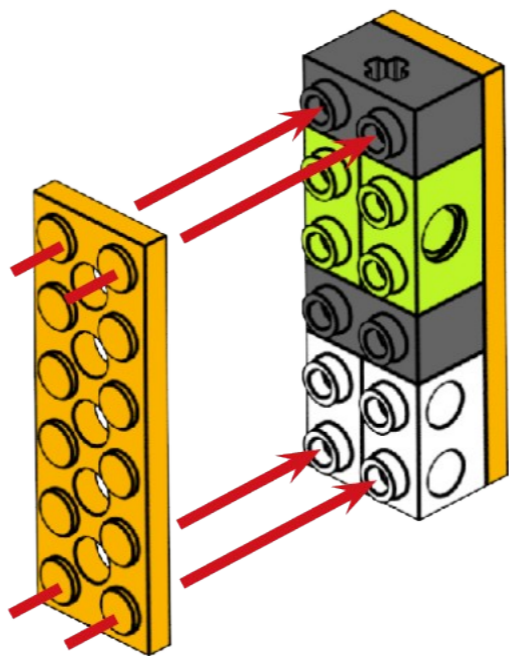
x1

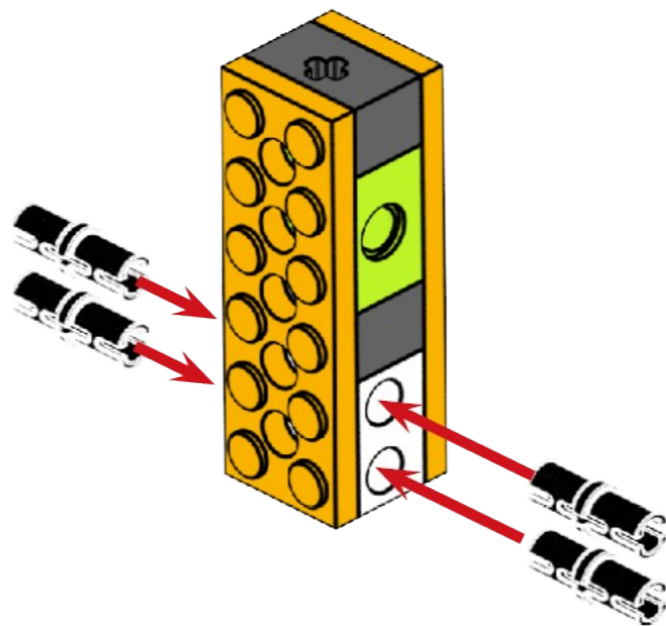


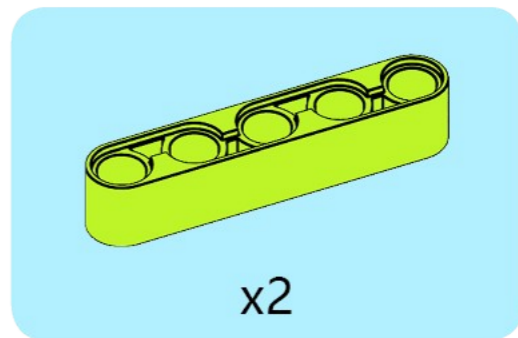
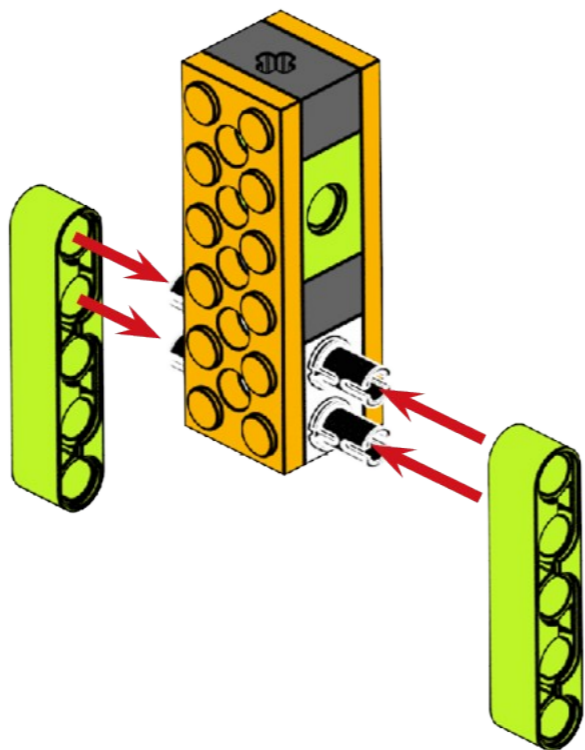


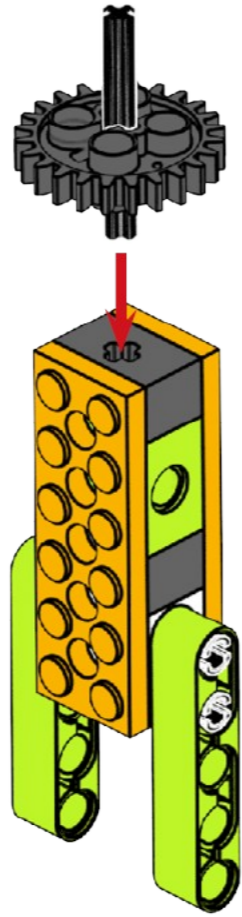








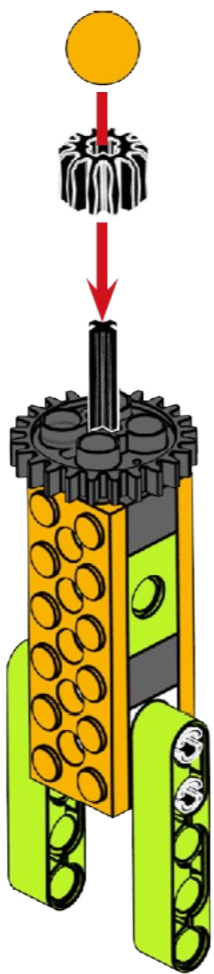




4

x1 x1

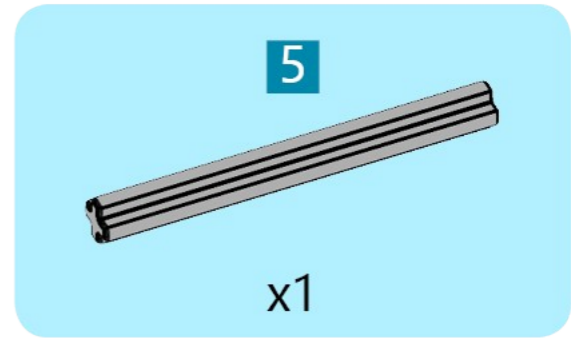
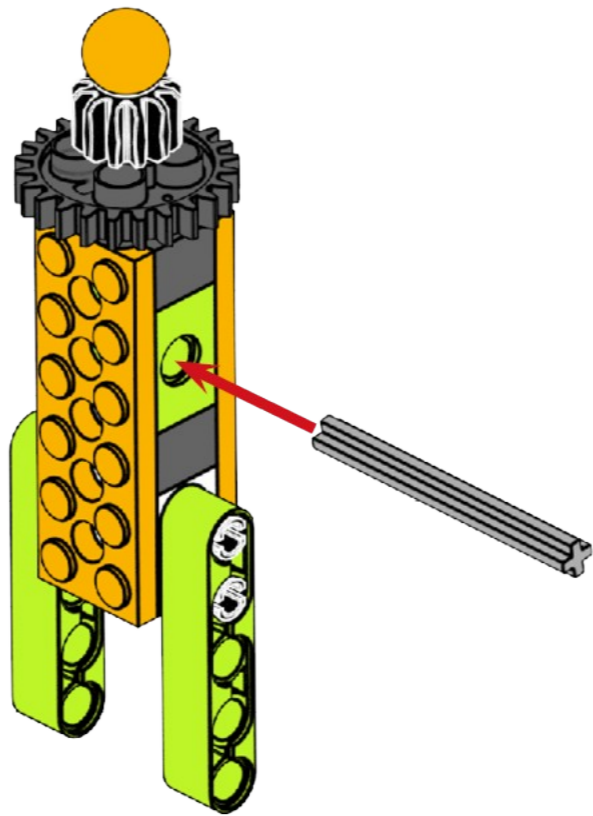
This block contains a list of parts for step 4. On the left is a long black axle with a blue square containing the number '4' above it, and the text 'x1' below it. On the right is a grey gear with three internal holes, and the text 'x1' below it.

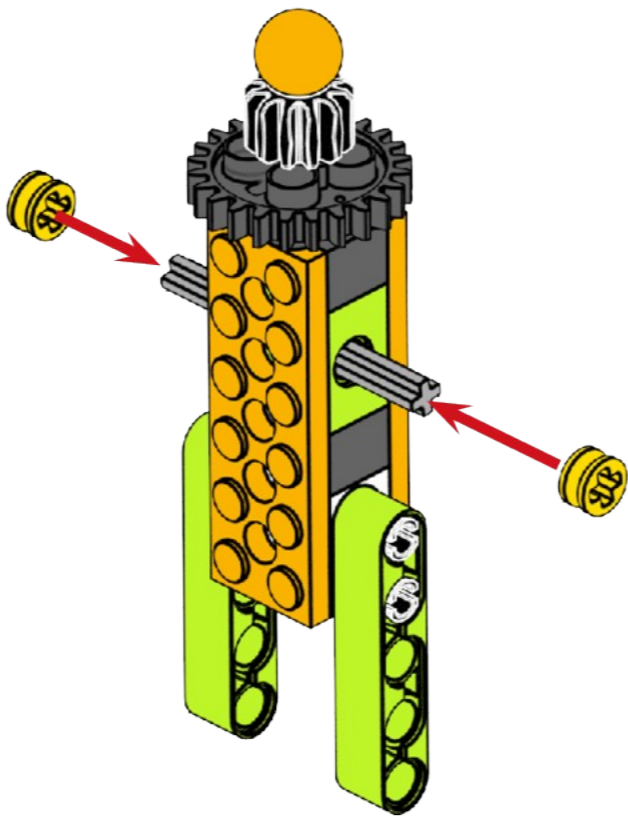


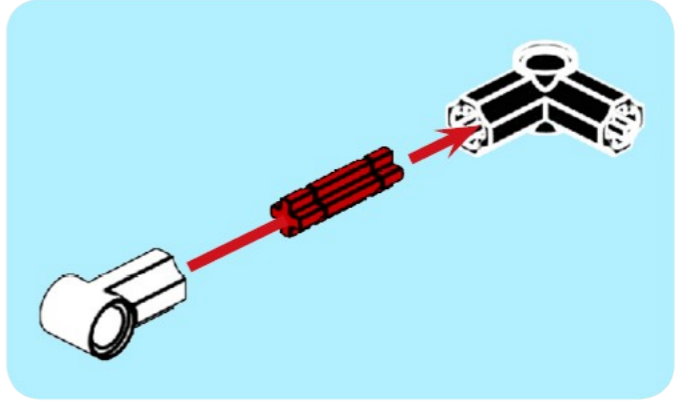
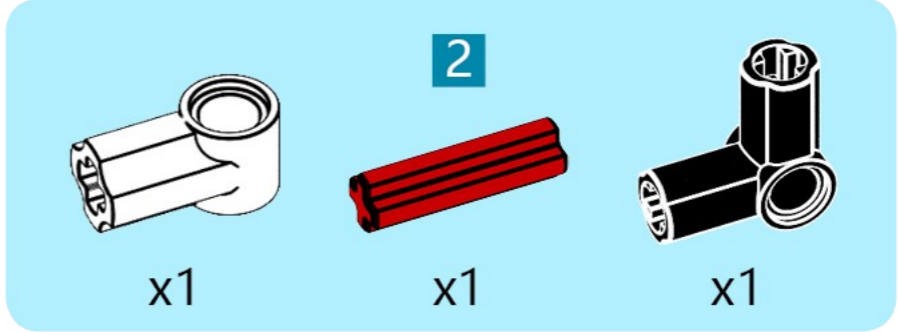
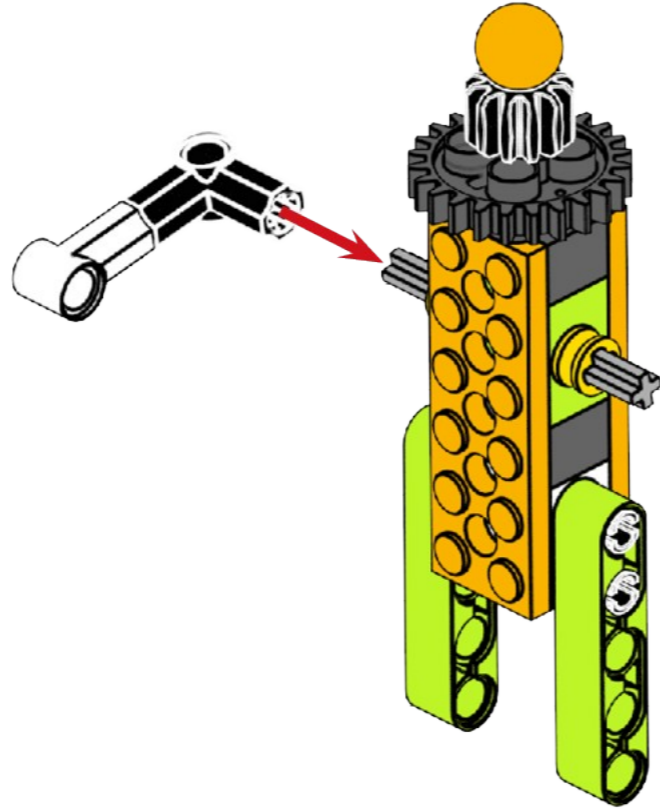
x1

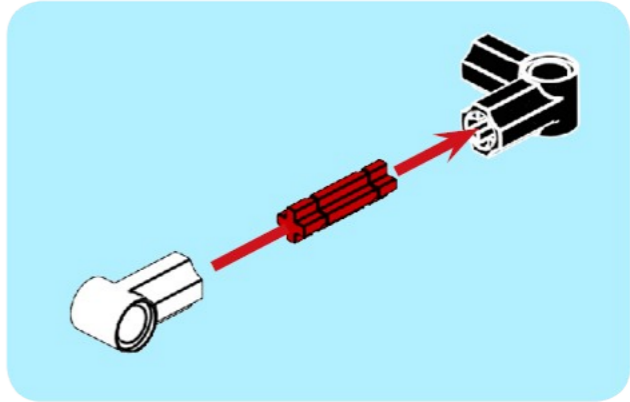
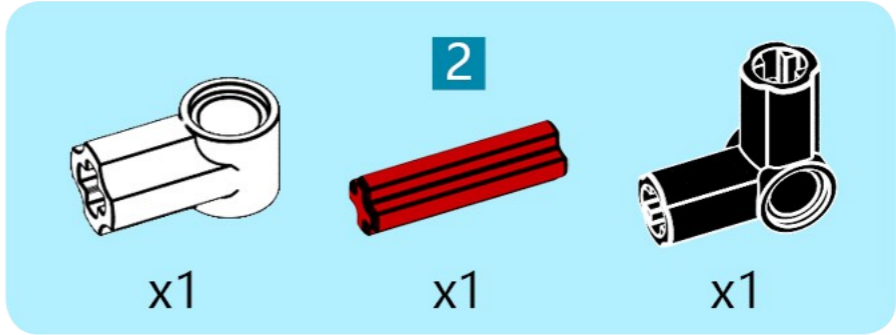
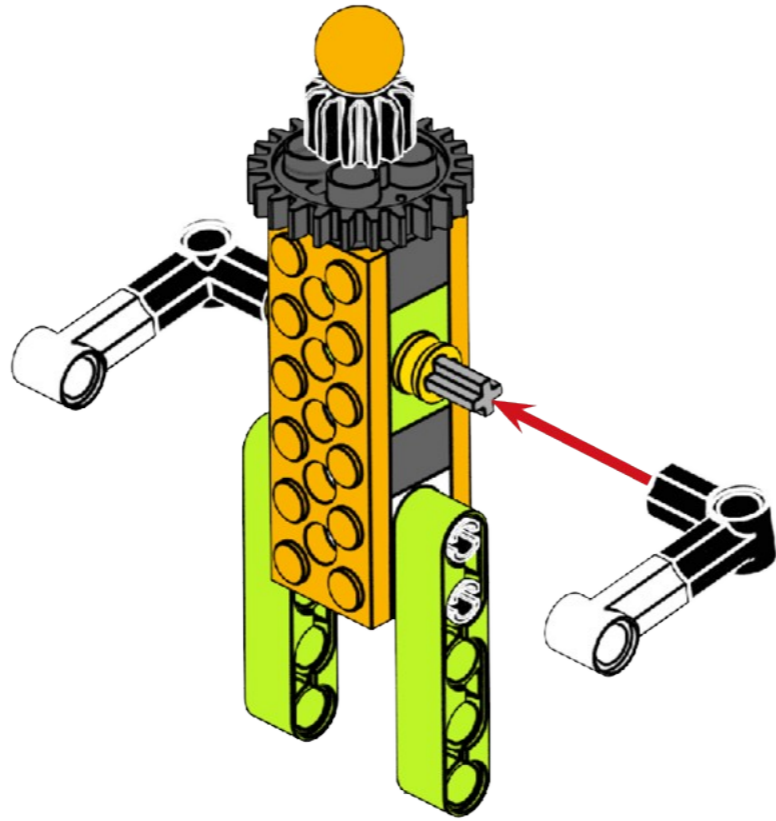


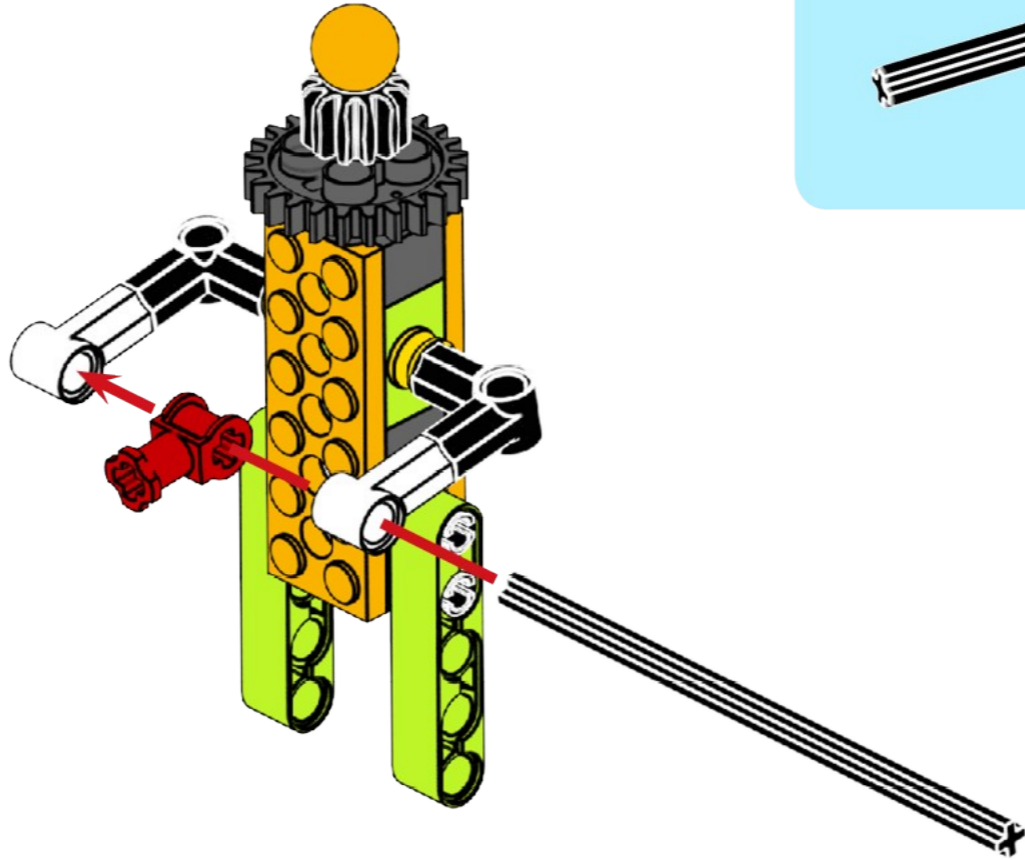
x1








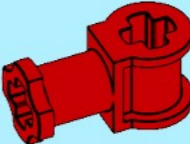




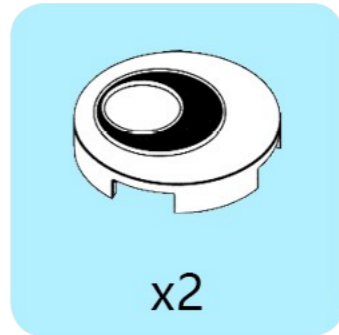
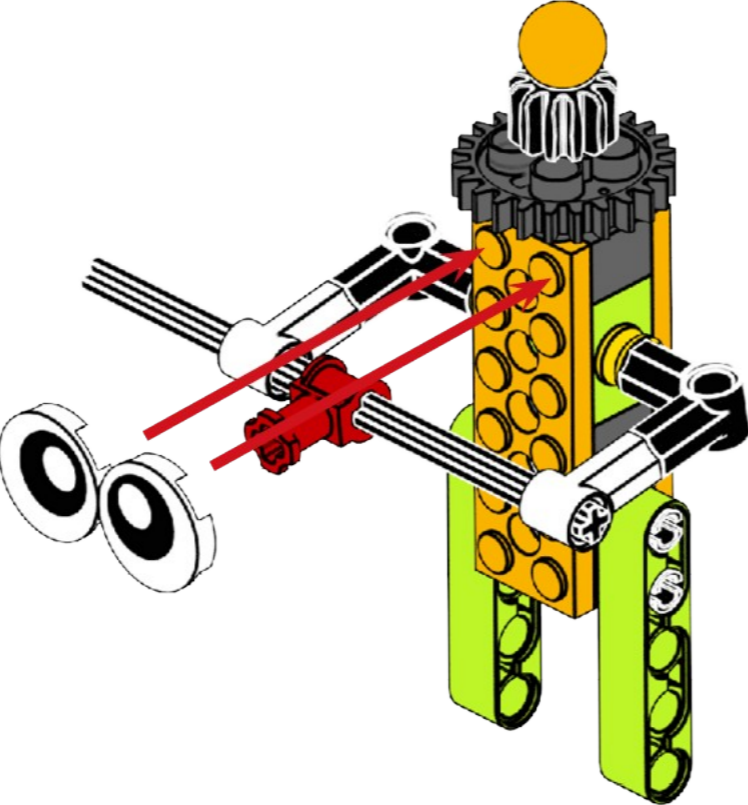
10

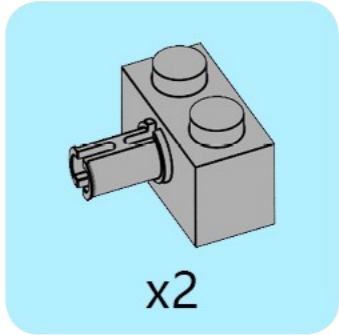
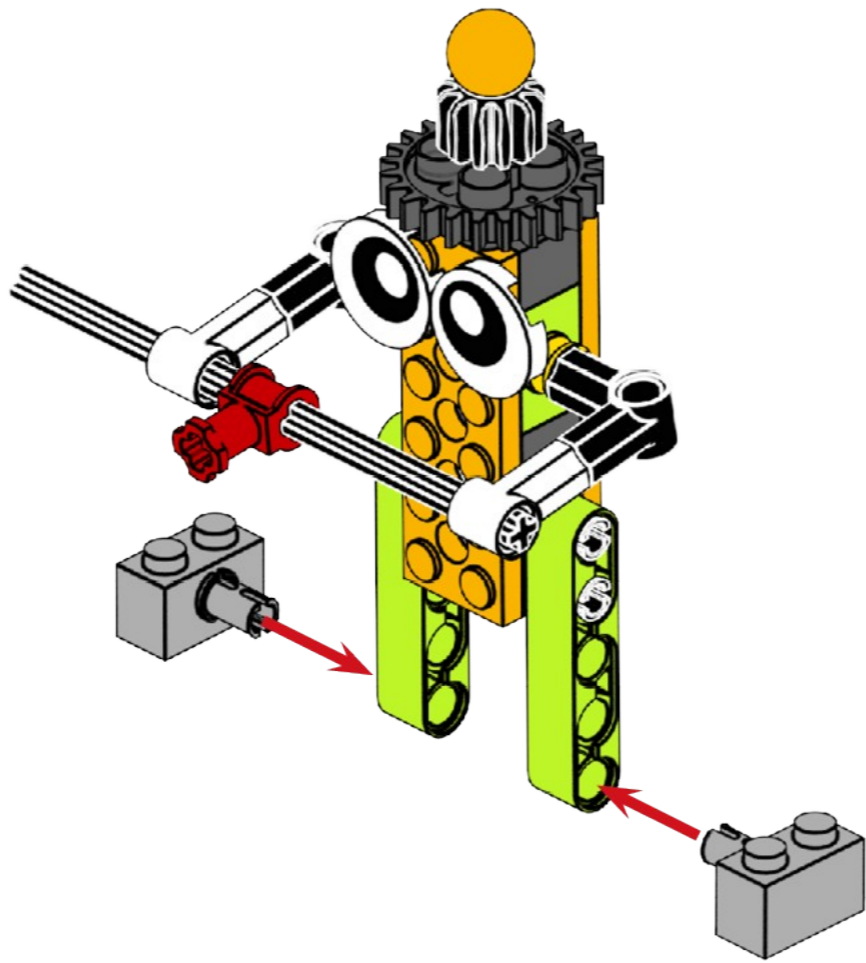


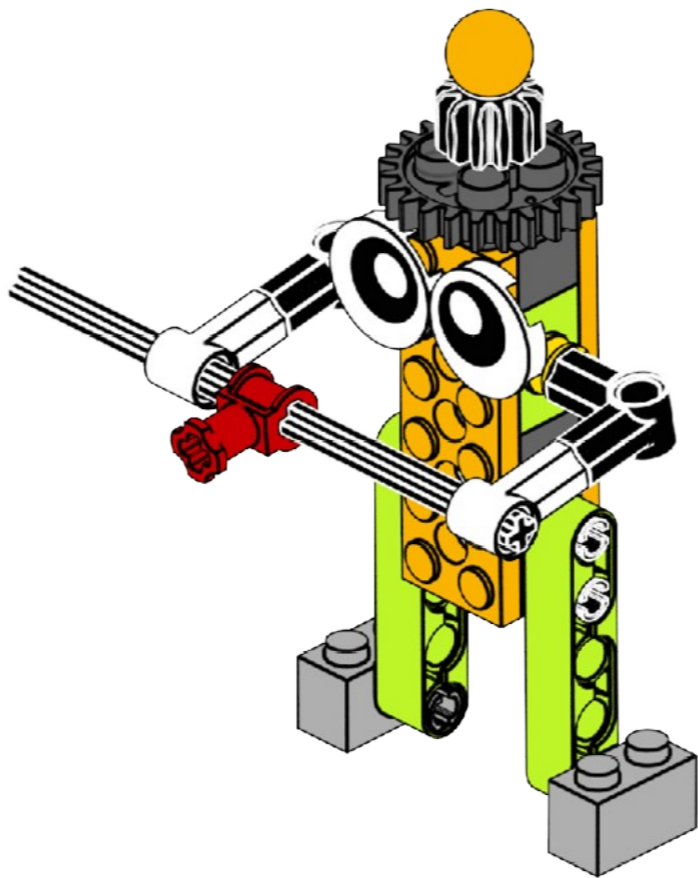
x1

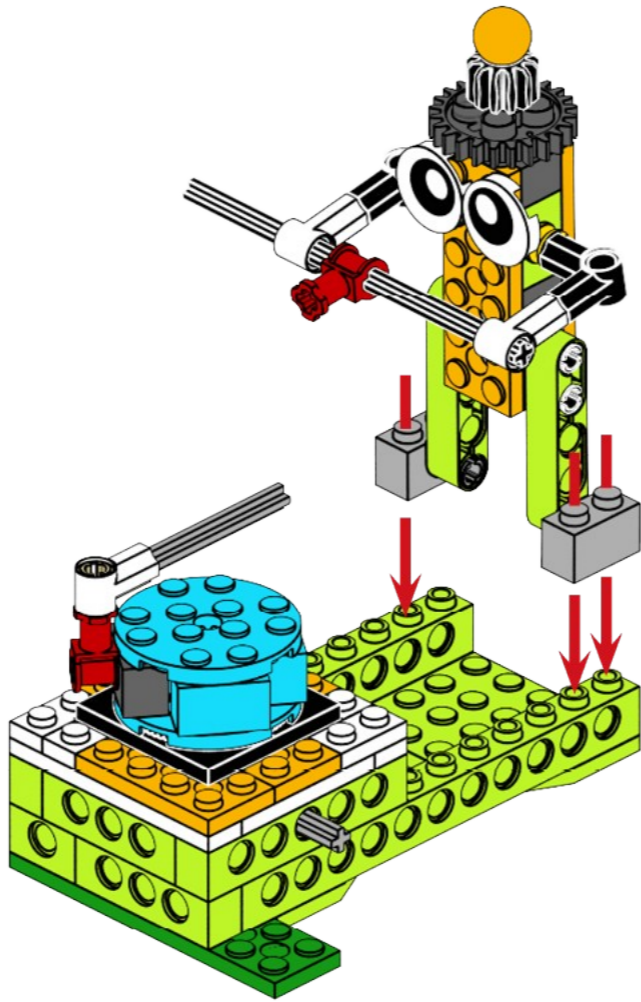


x1



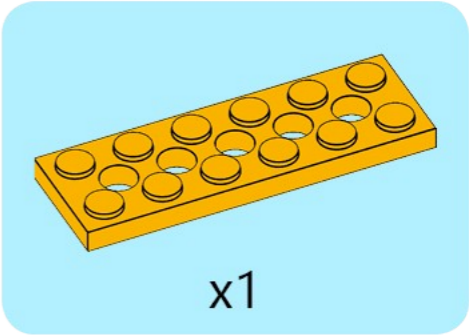
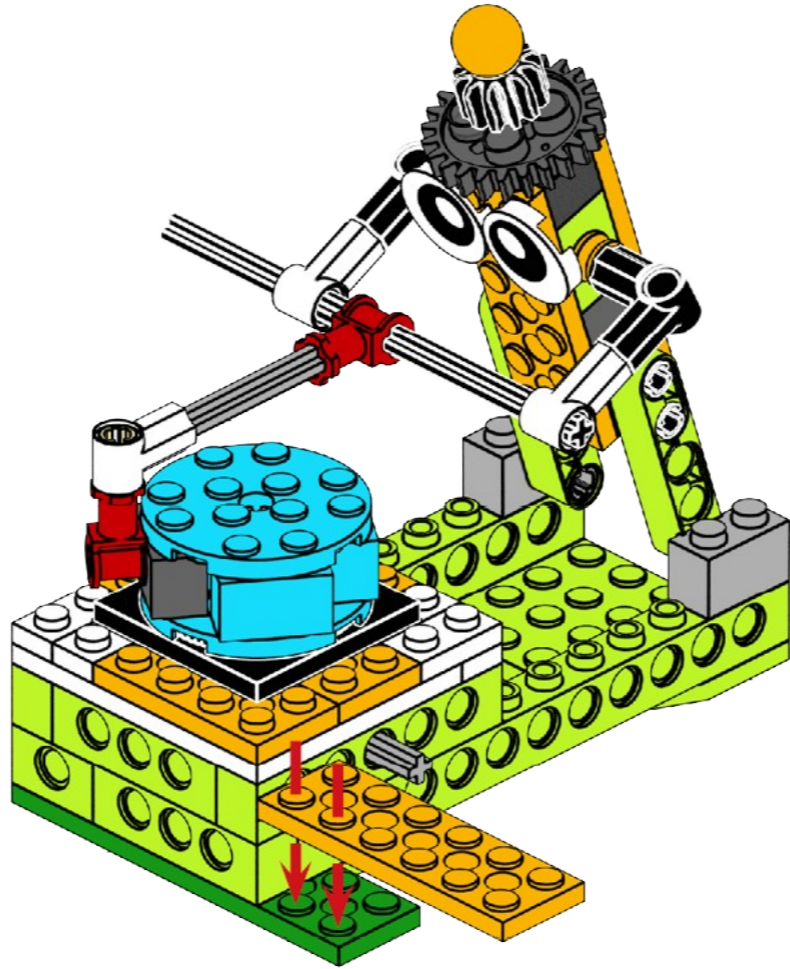


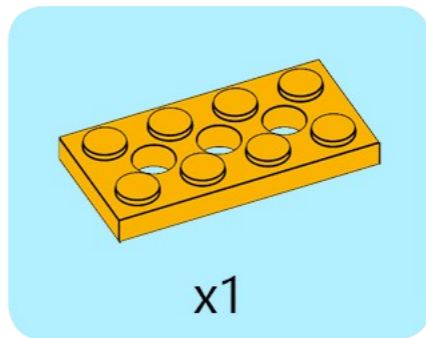
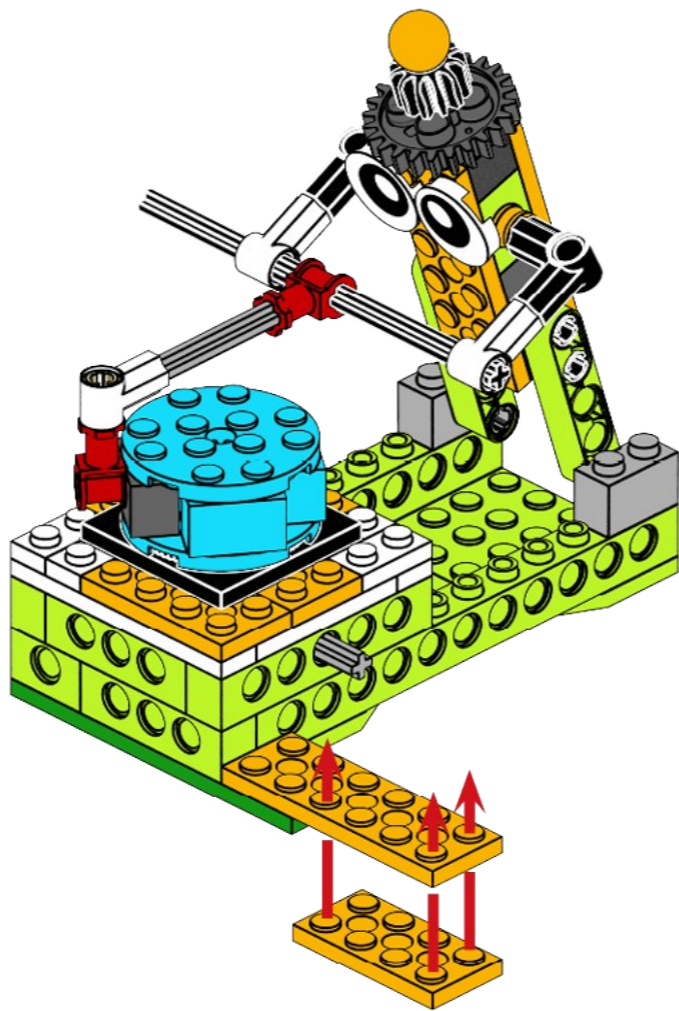




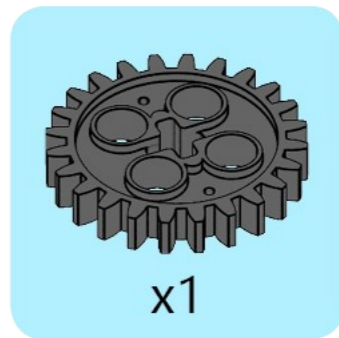
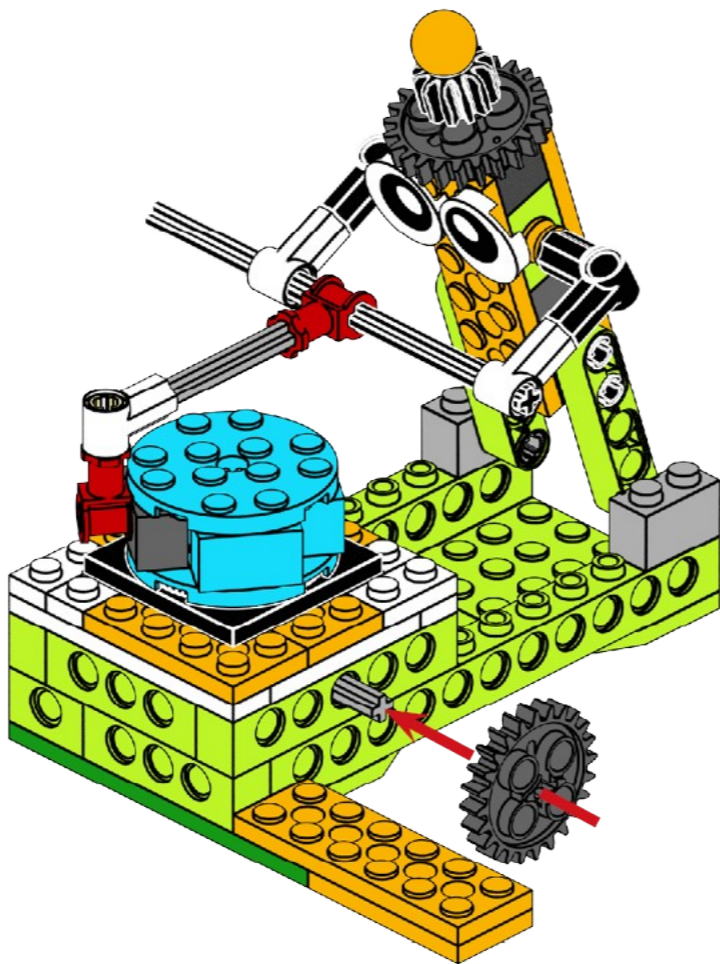


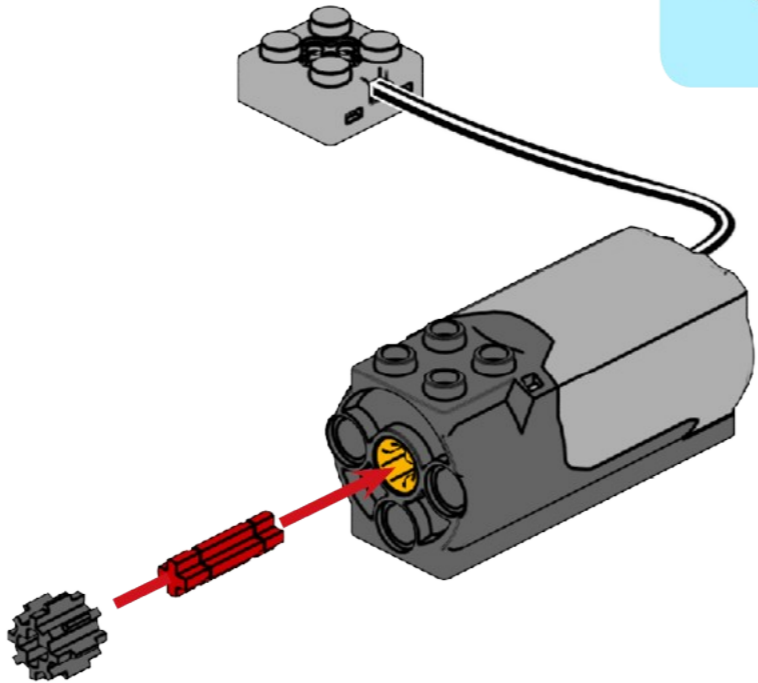
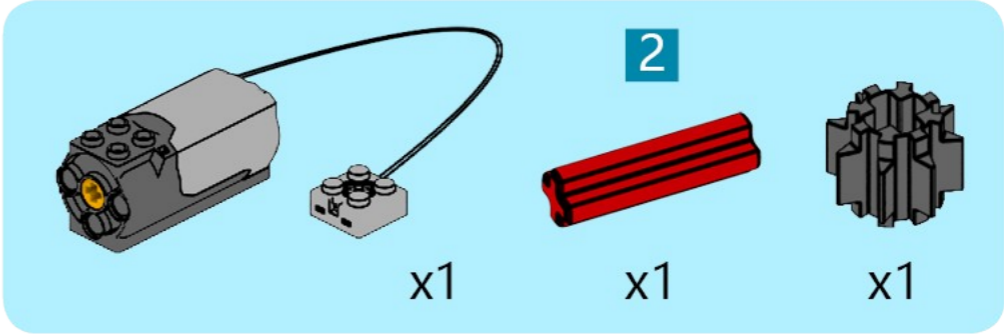


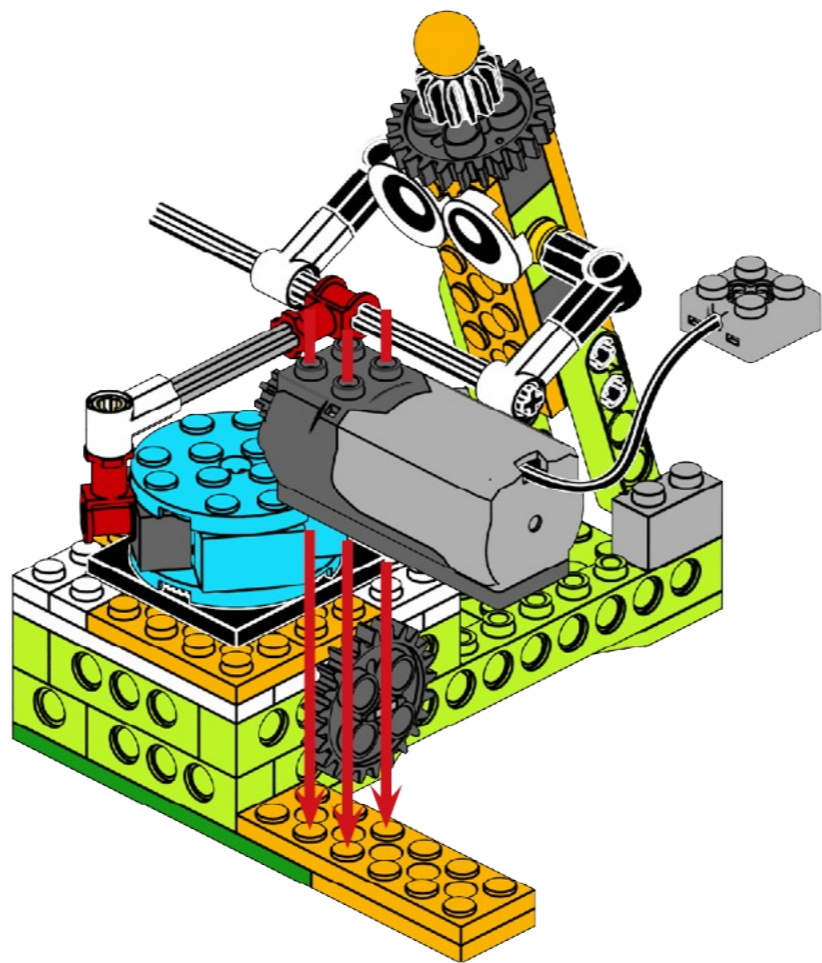




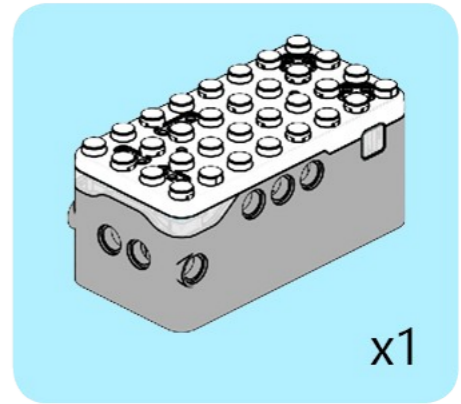
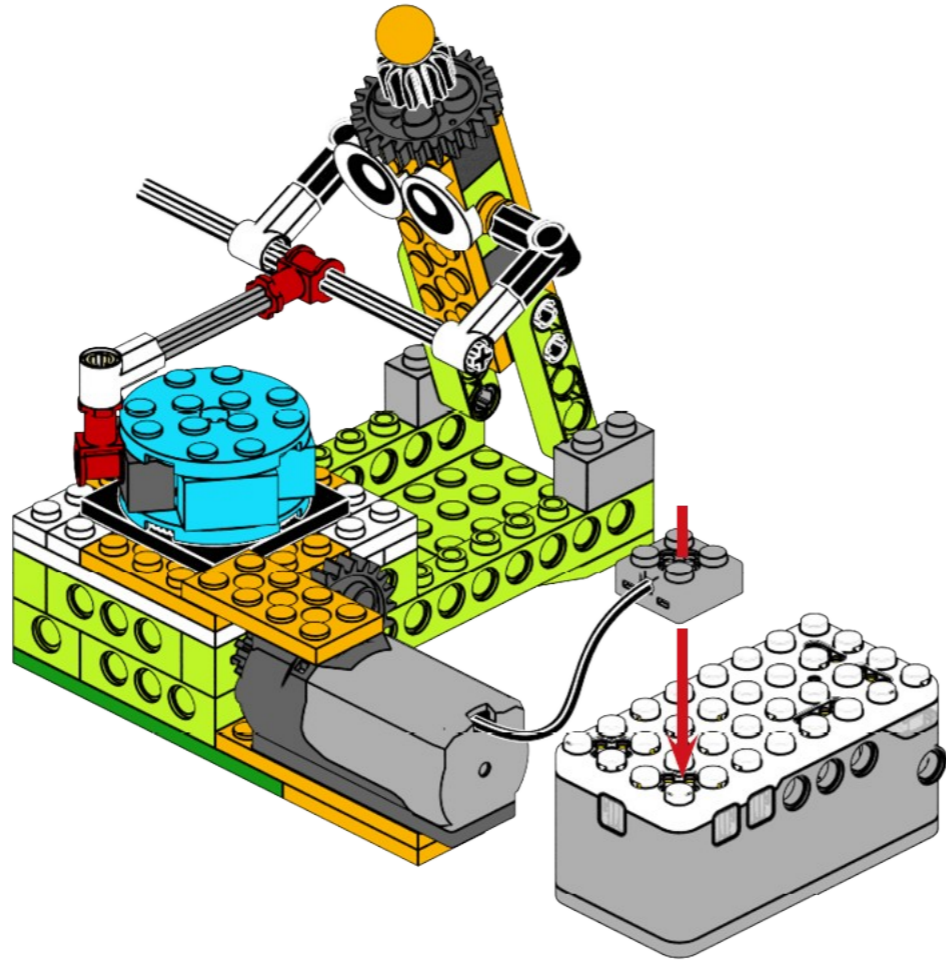
x1

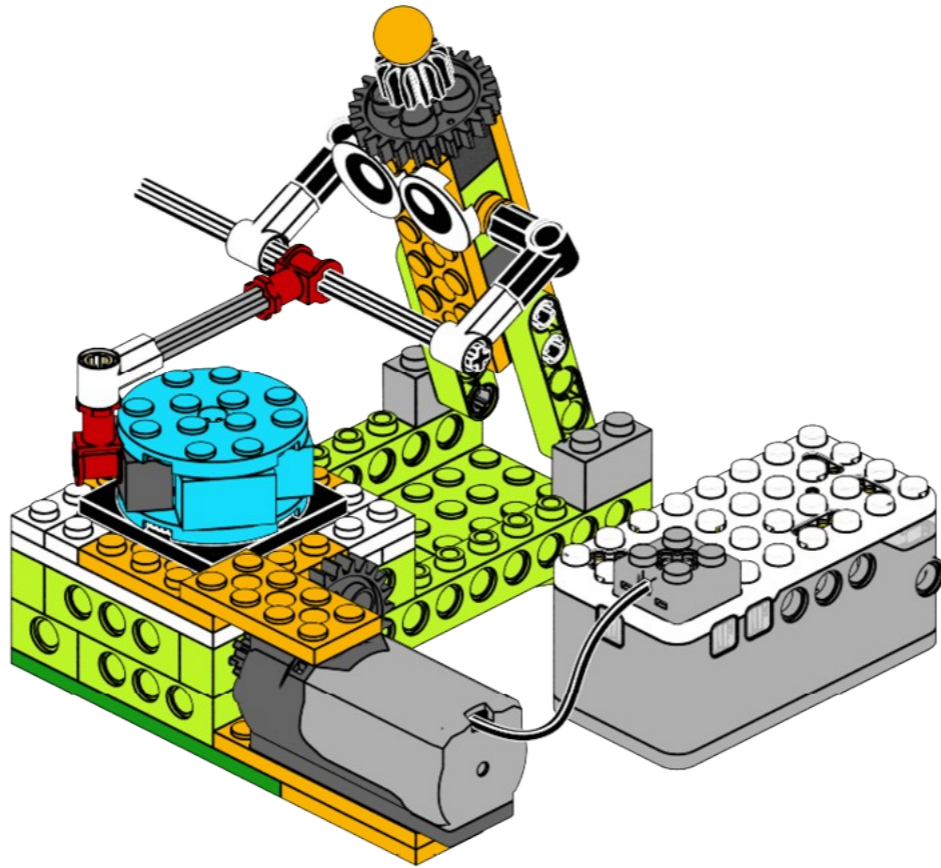


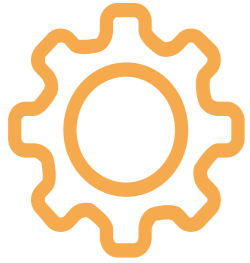
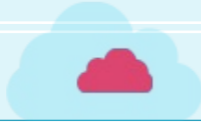




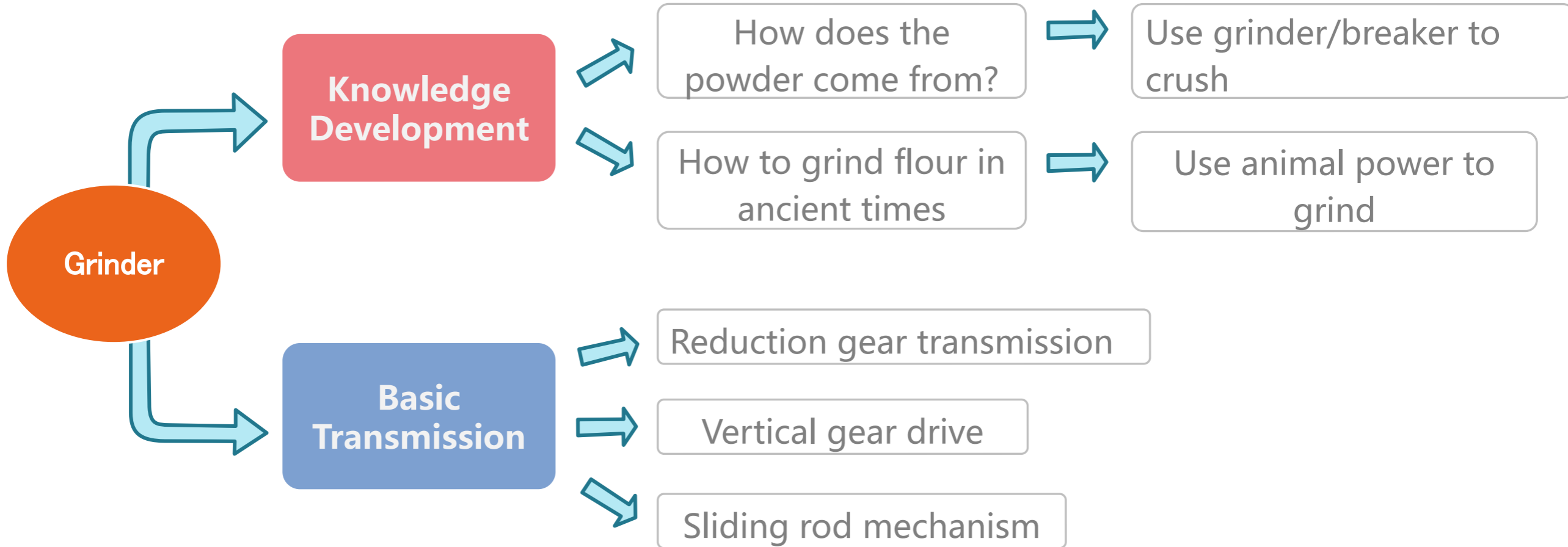


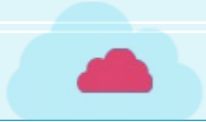




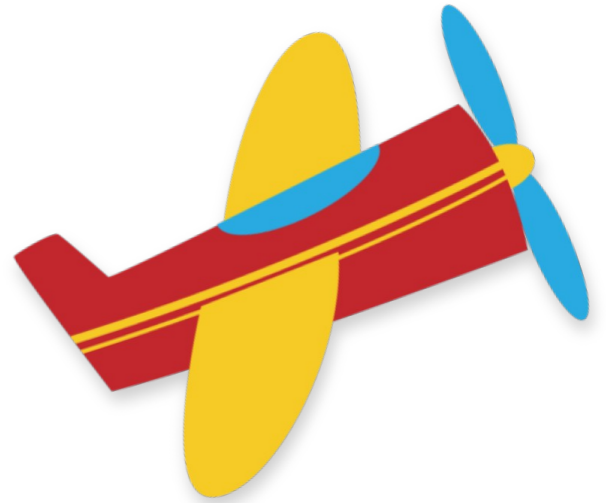


# Review





**Talk**





**THANKS**

