



Logic

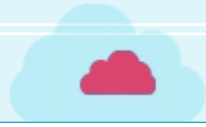
Space



Coding



Focus



Classroom Discipline

01

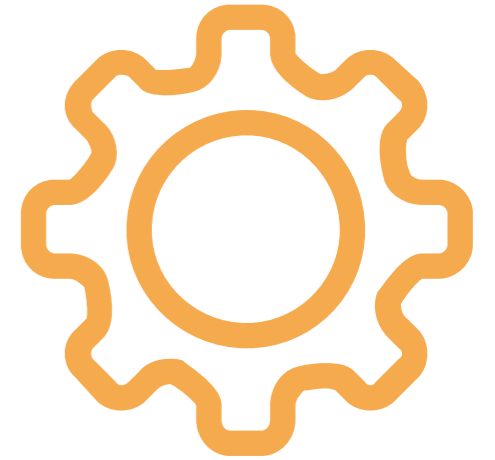
Please sit down and keep quiet in class.

02

Please raise your hand if you have any questions

03

Please observe carefully when the pictures are played.

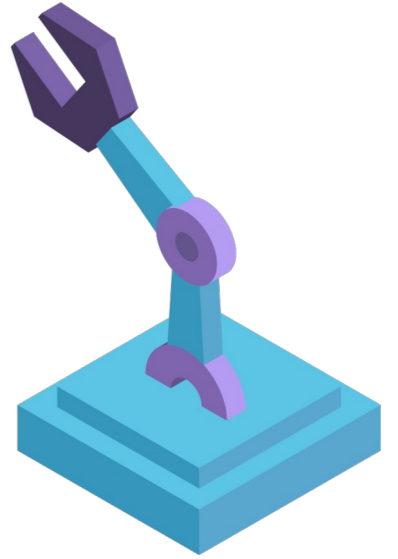


Oil Extrator





Think

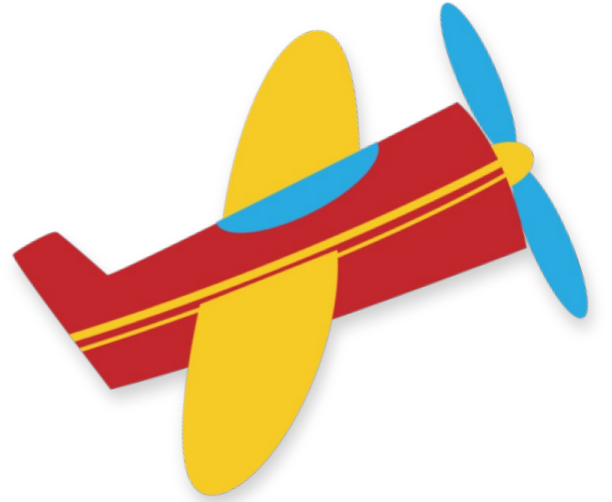




Oil is a non-renewable energy source that is produced through thousands of years of underground sedimentation. Oil is mainly used as fuel and gasoline.



Explore

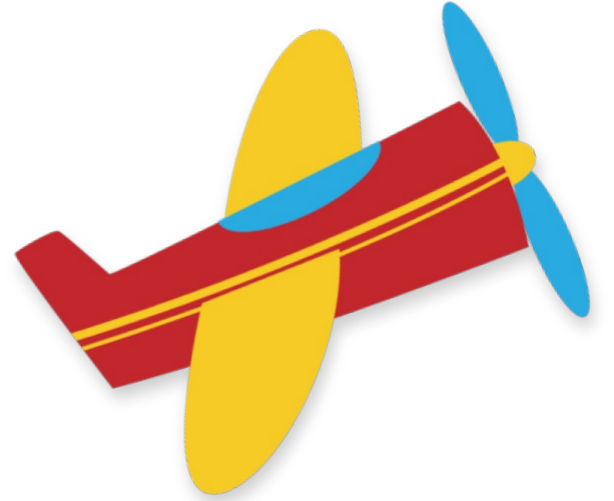




An oil pump is a machine used to extract oil, commonly known as a “knocking machine”, which uses pressure to pump oil out of the well.

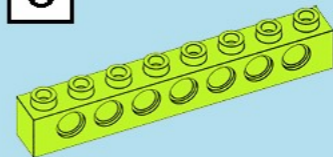


Build





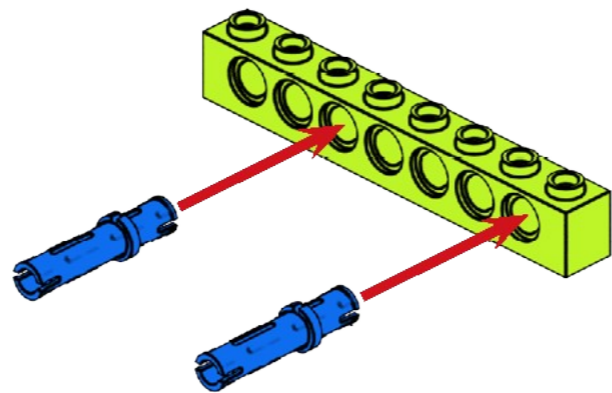
8

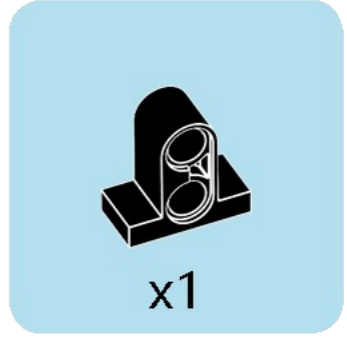
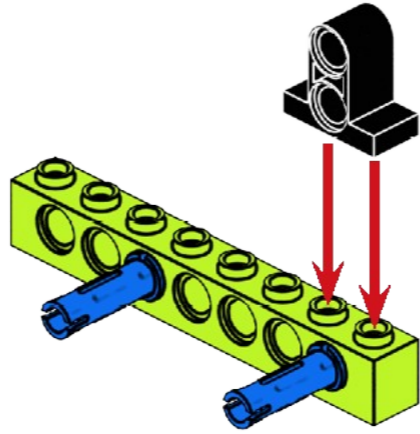


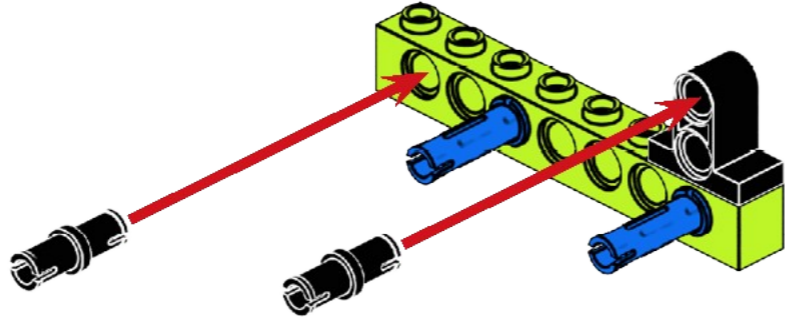
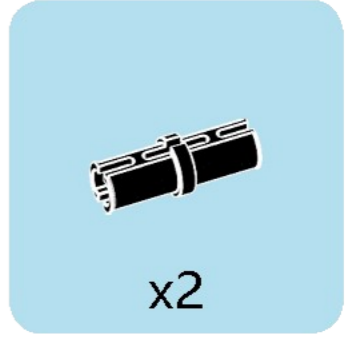
x1

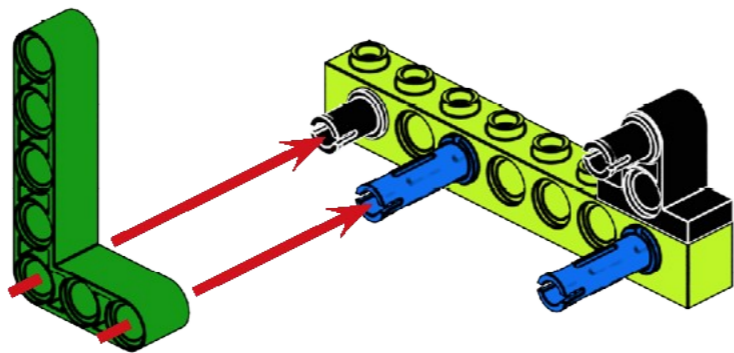
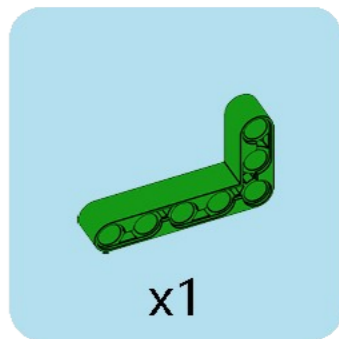


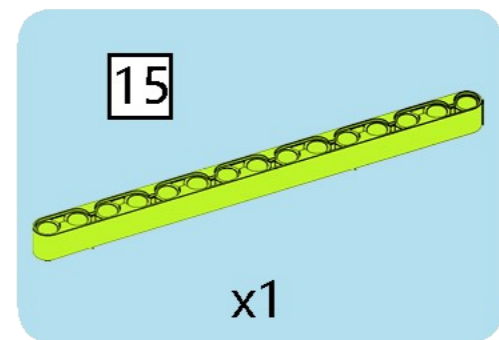
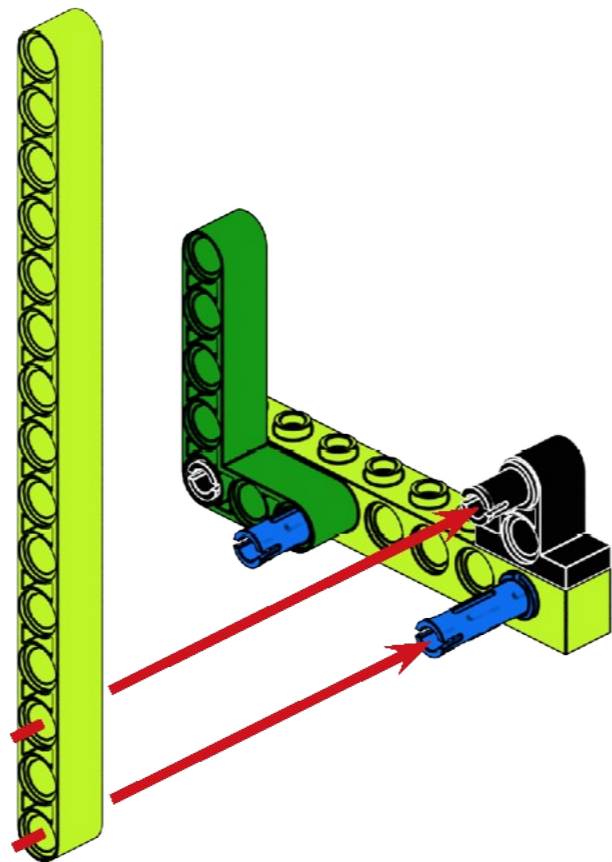
x2

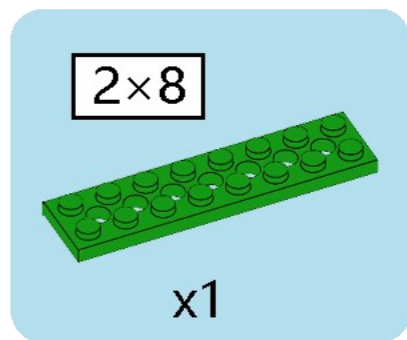
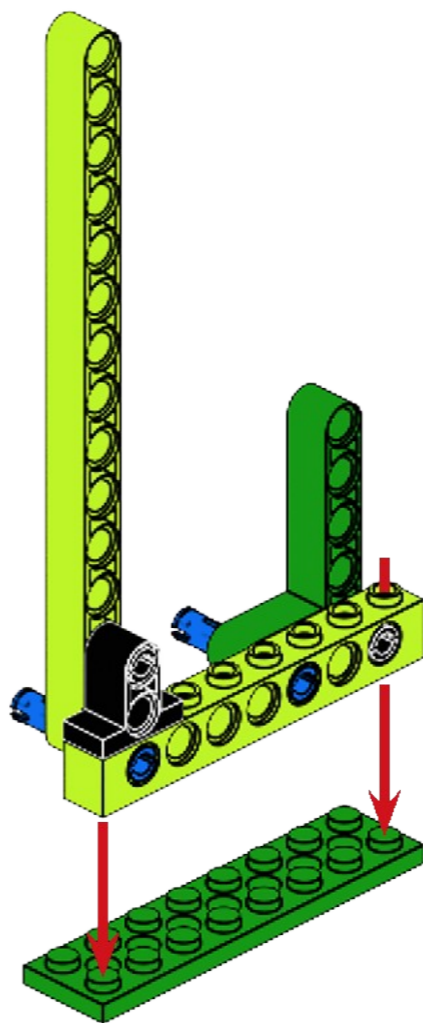


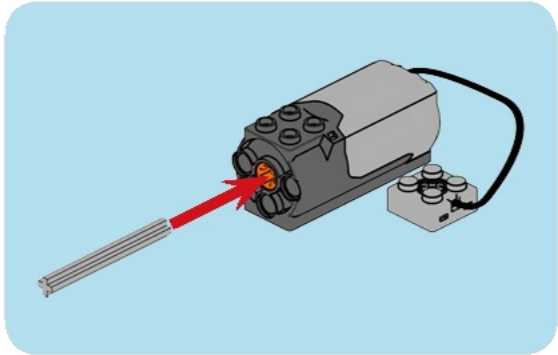
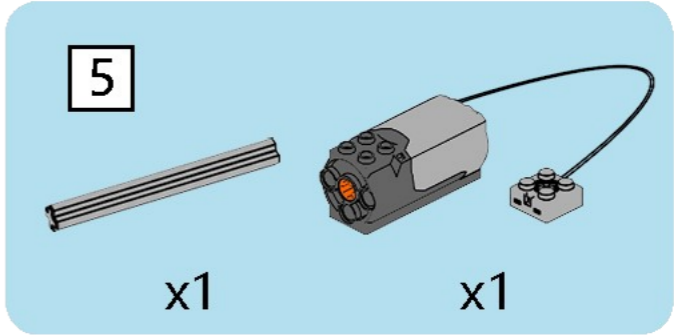
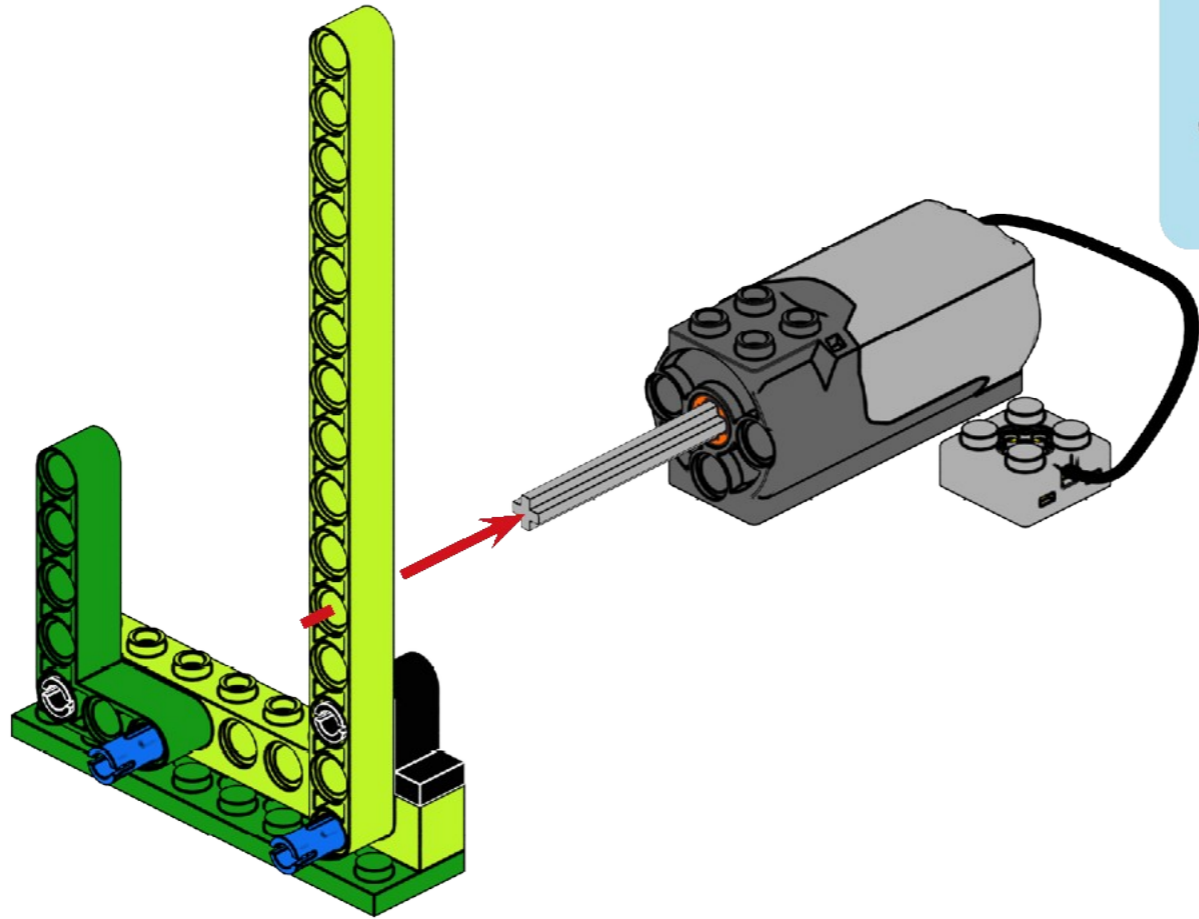


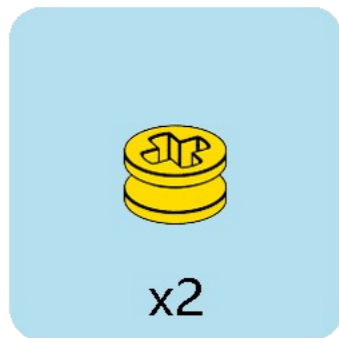
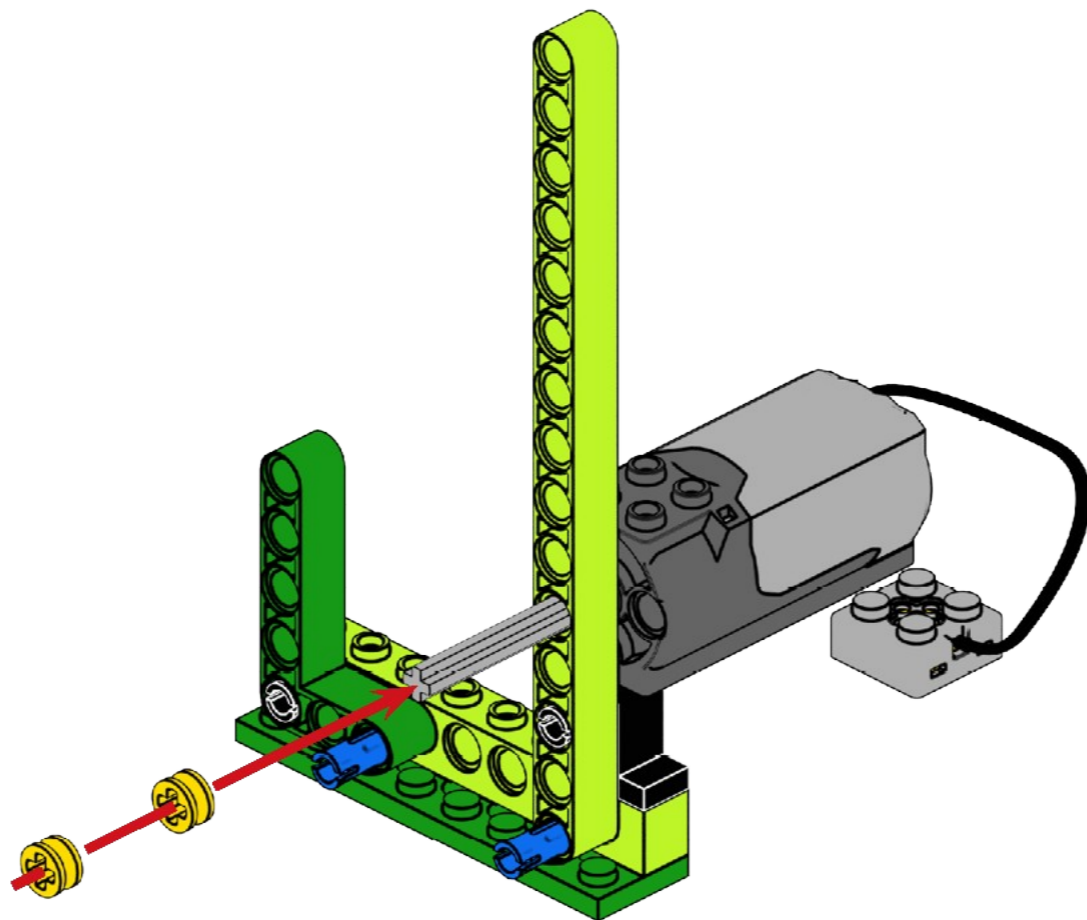


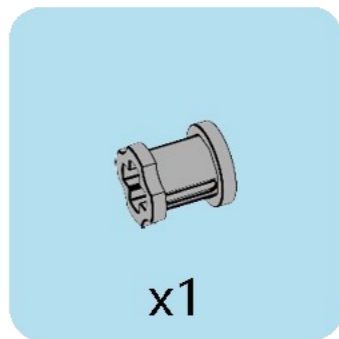
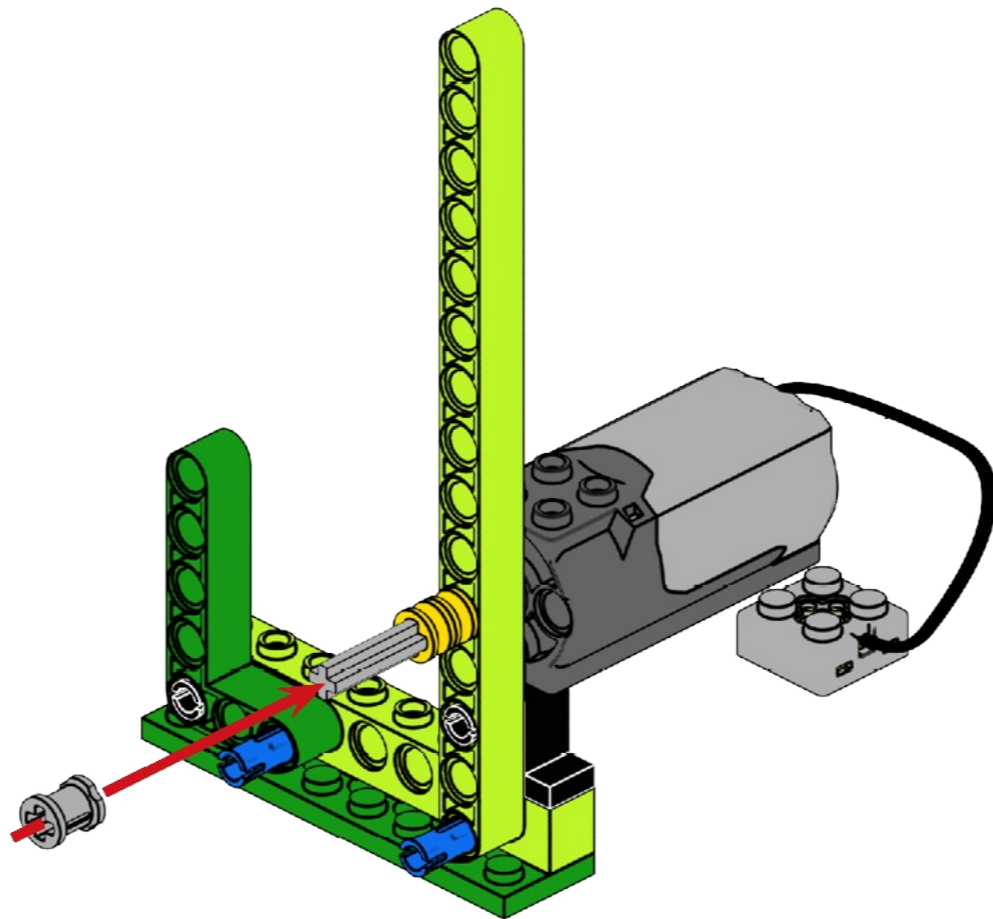


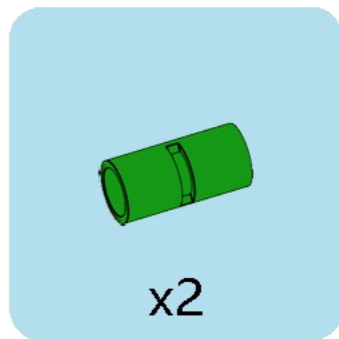
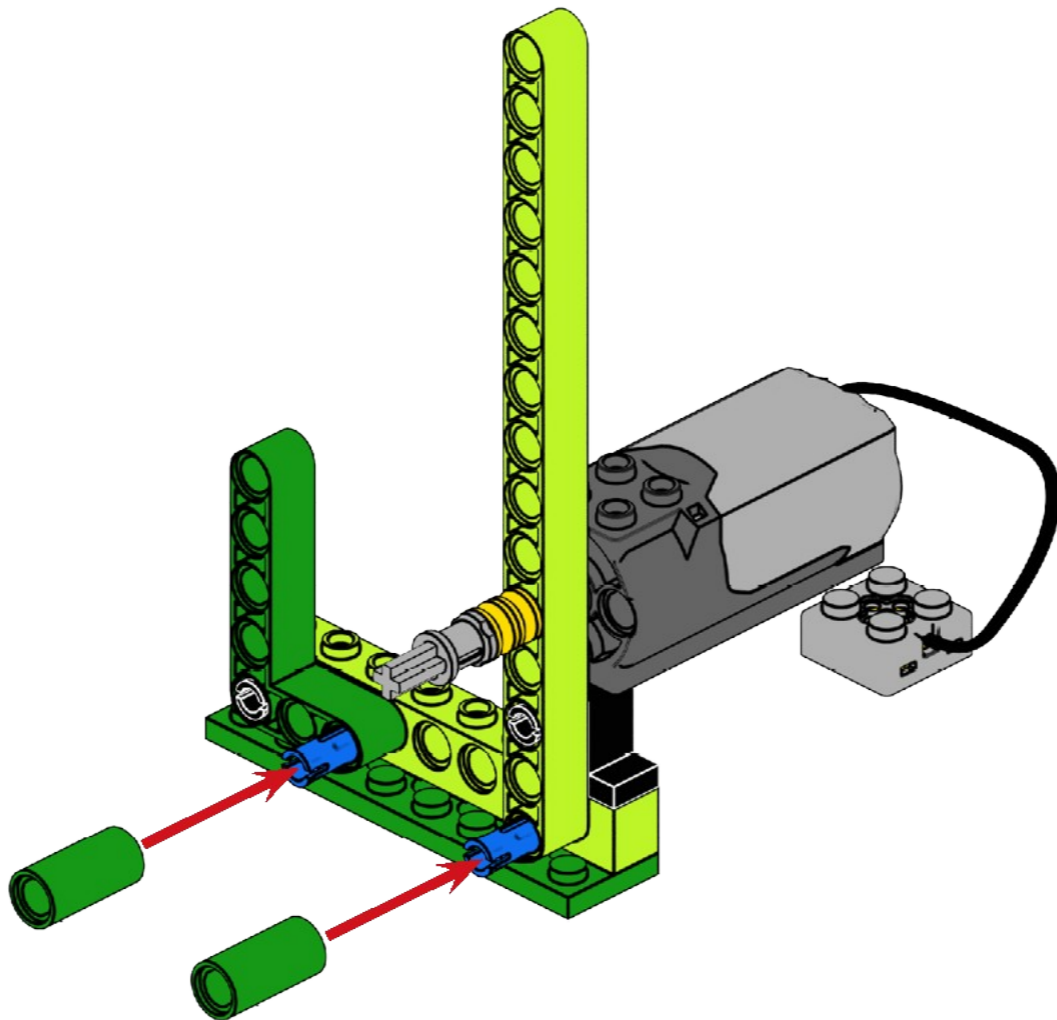


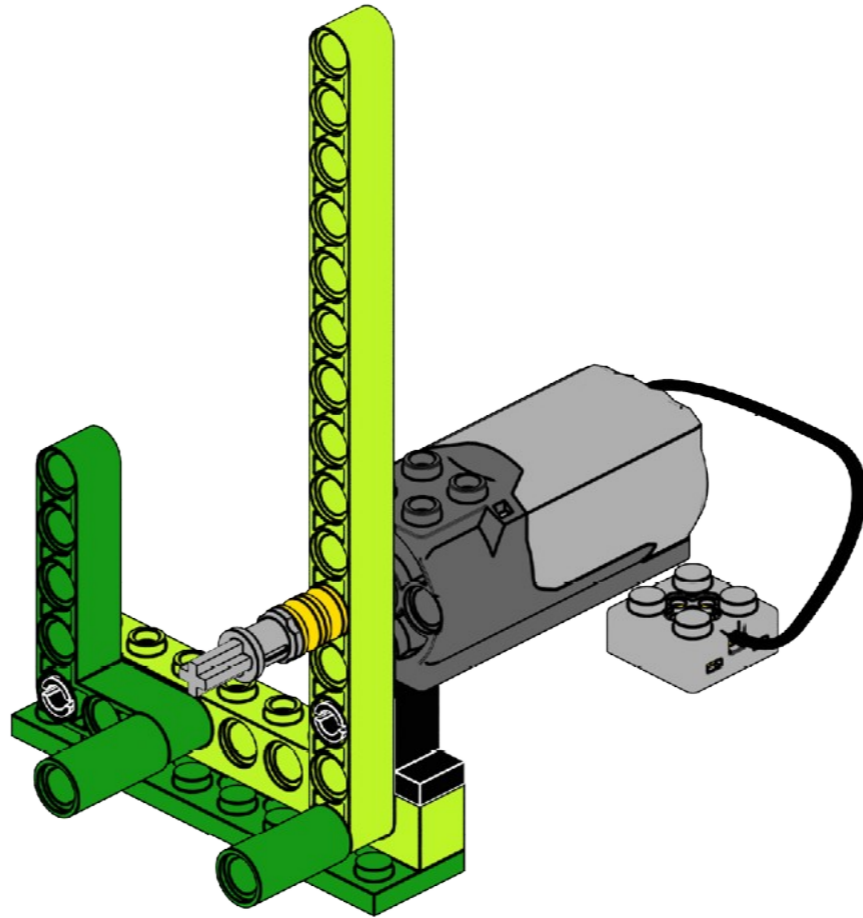


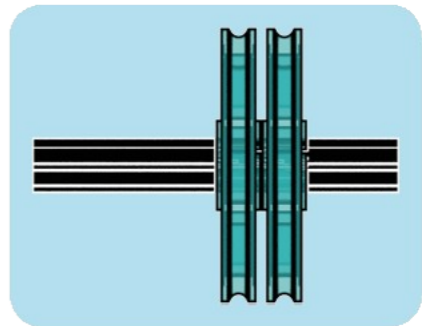
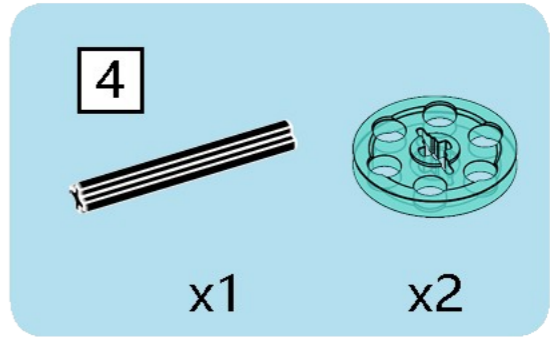
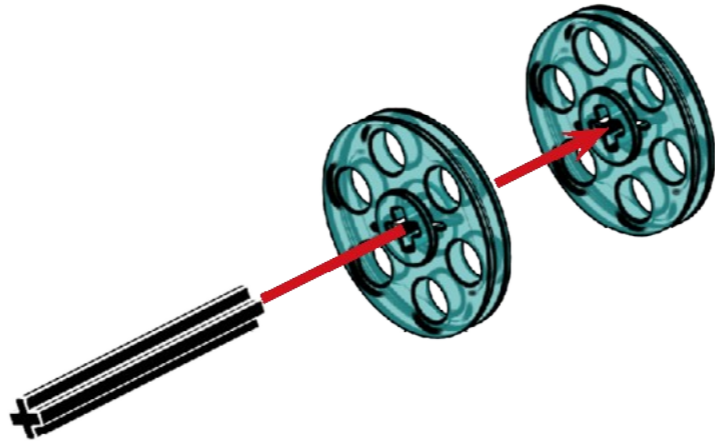


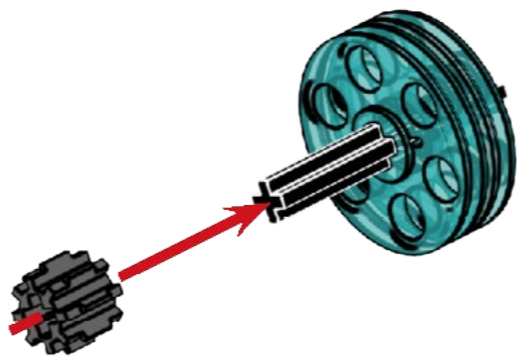
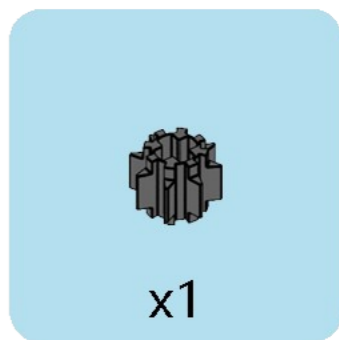


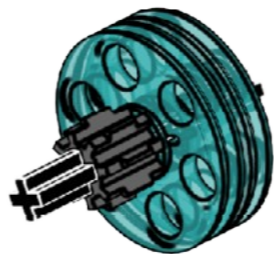


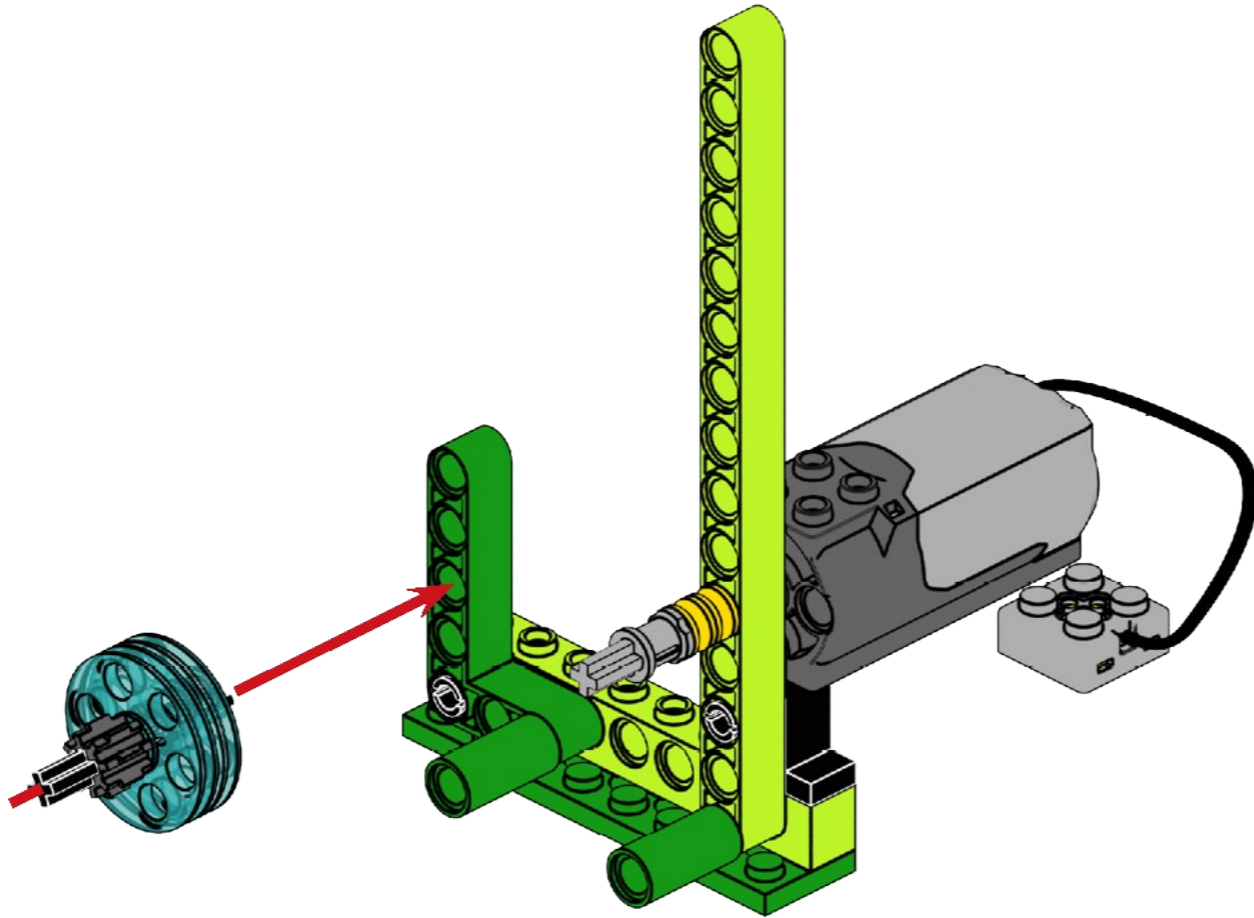


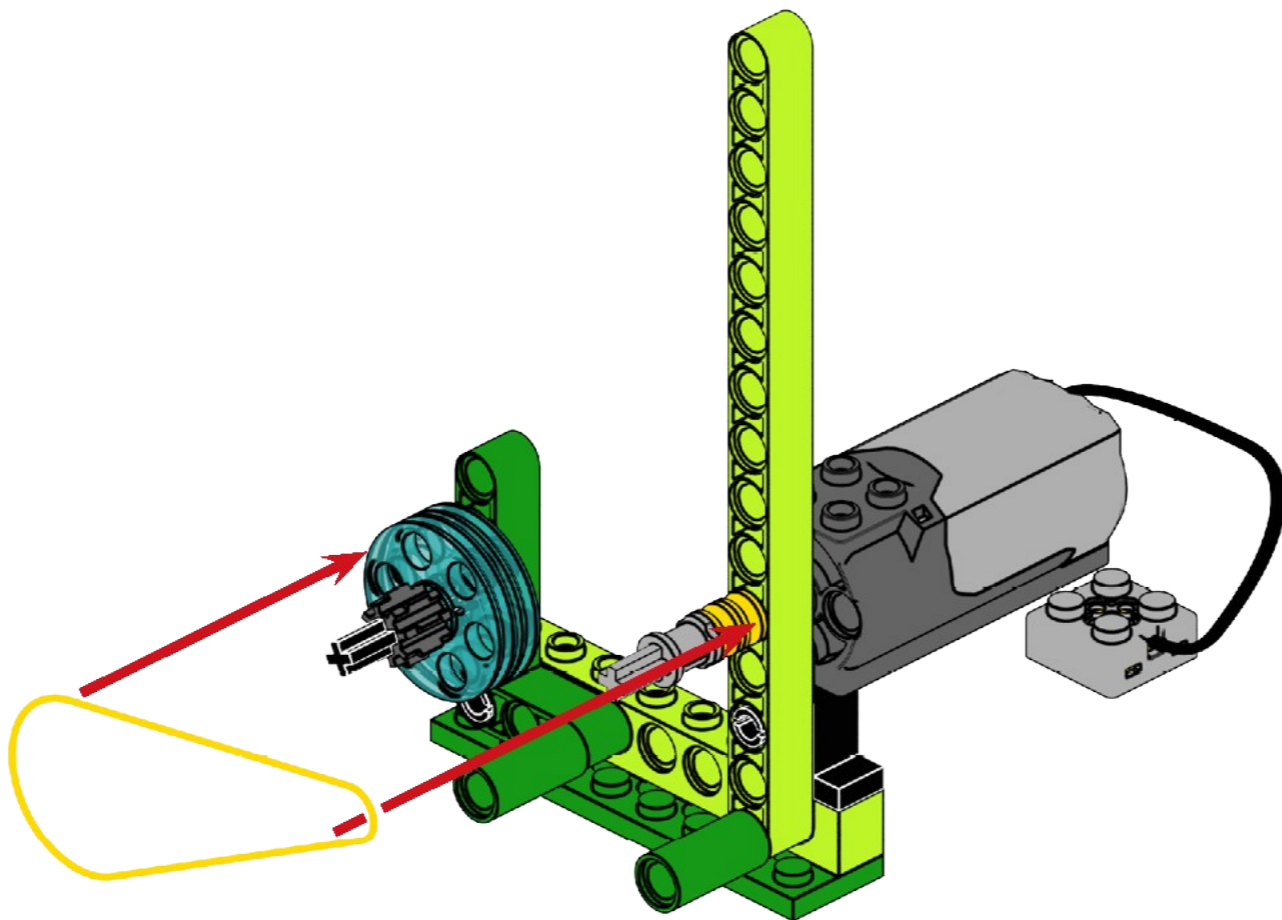


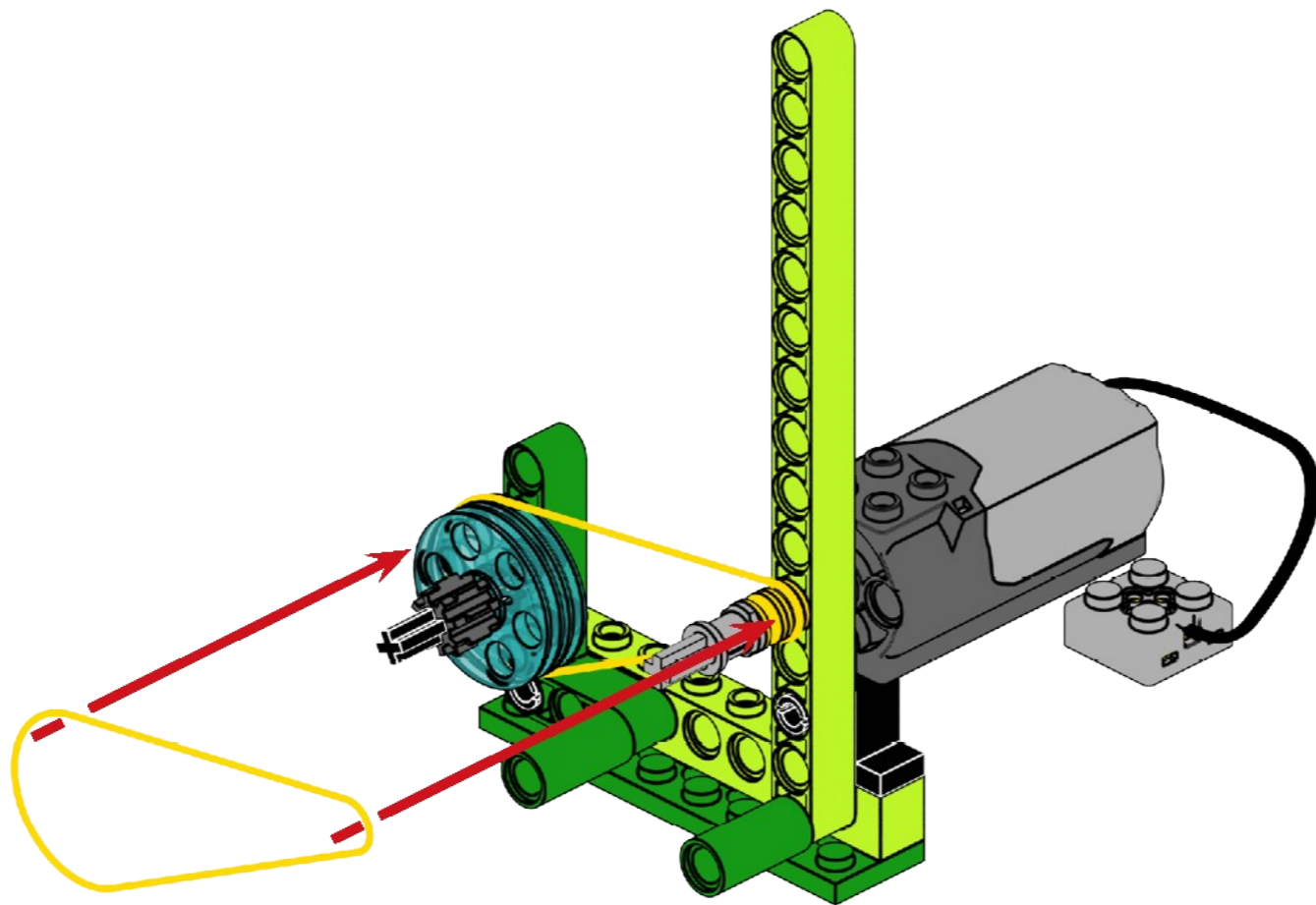


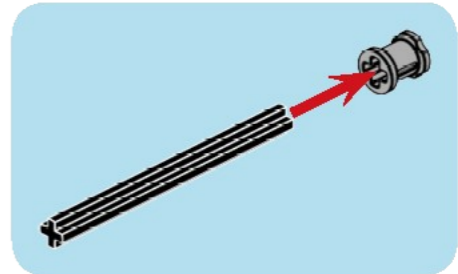
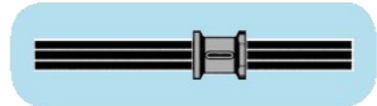
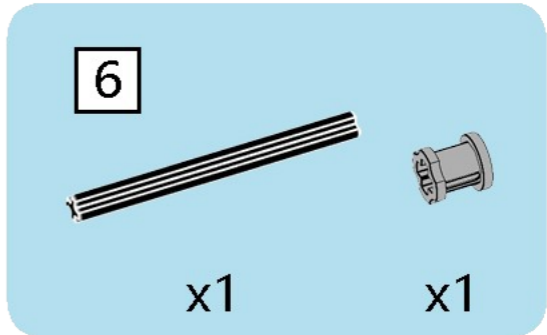
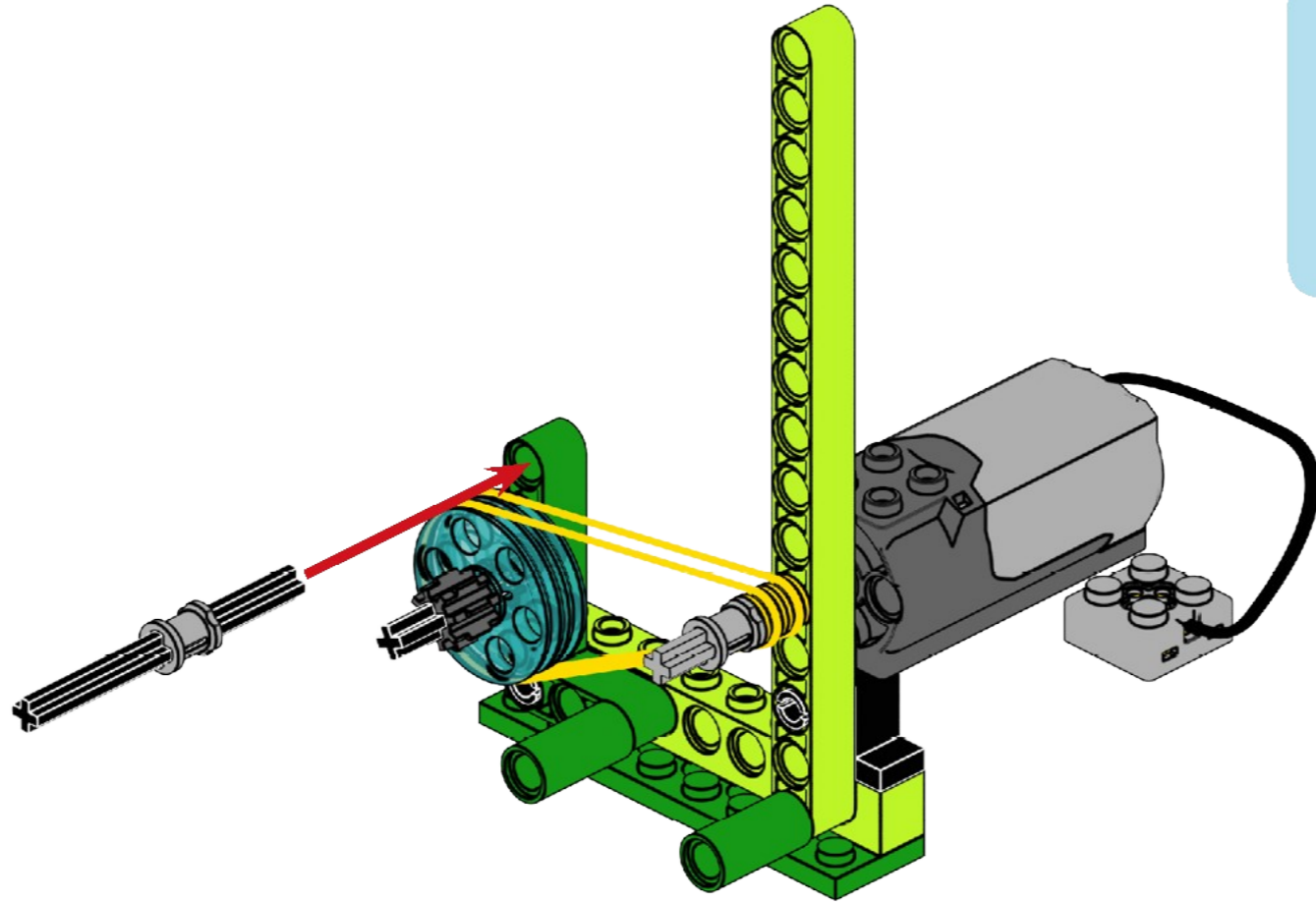


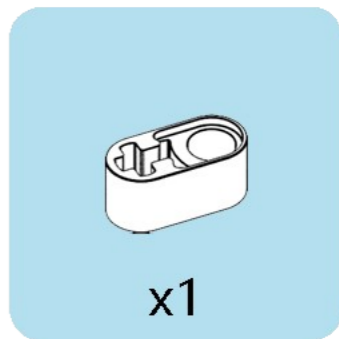
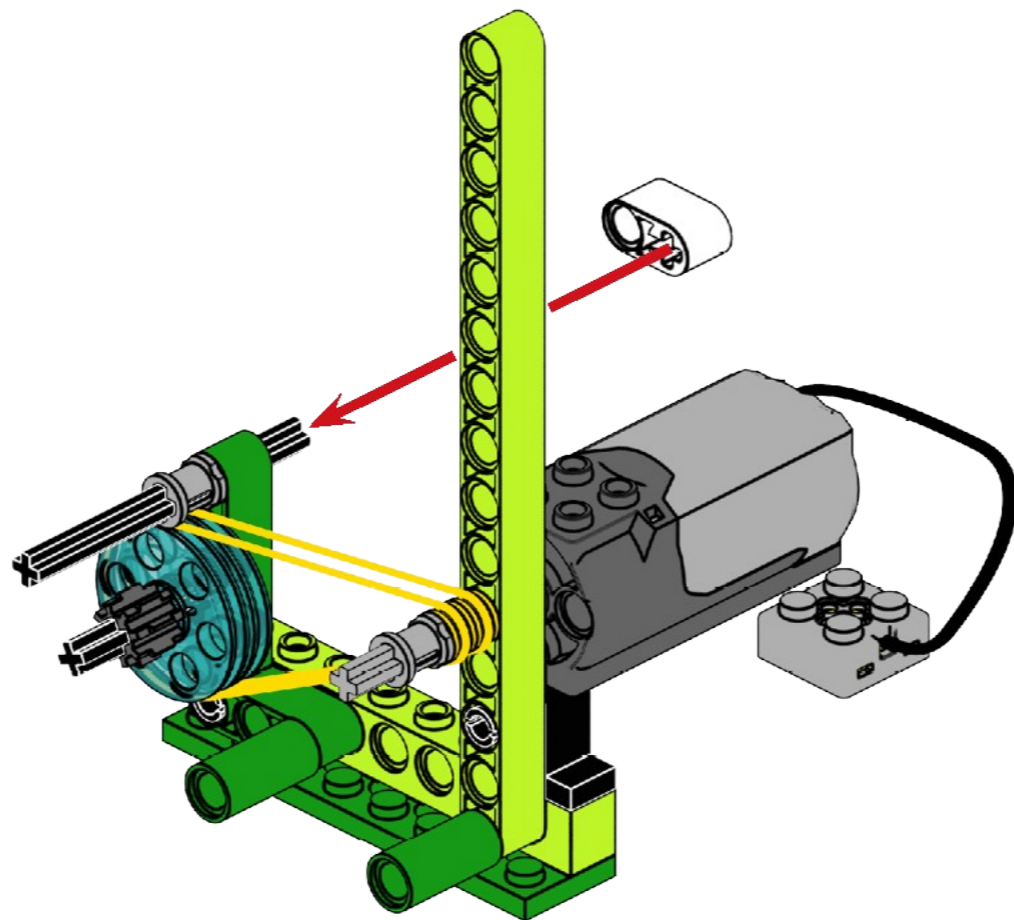


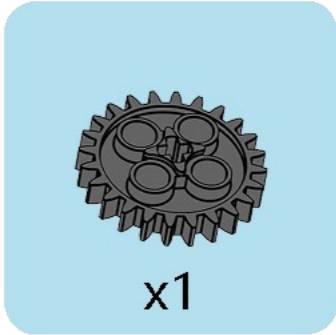
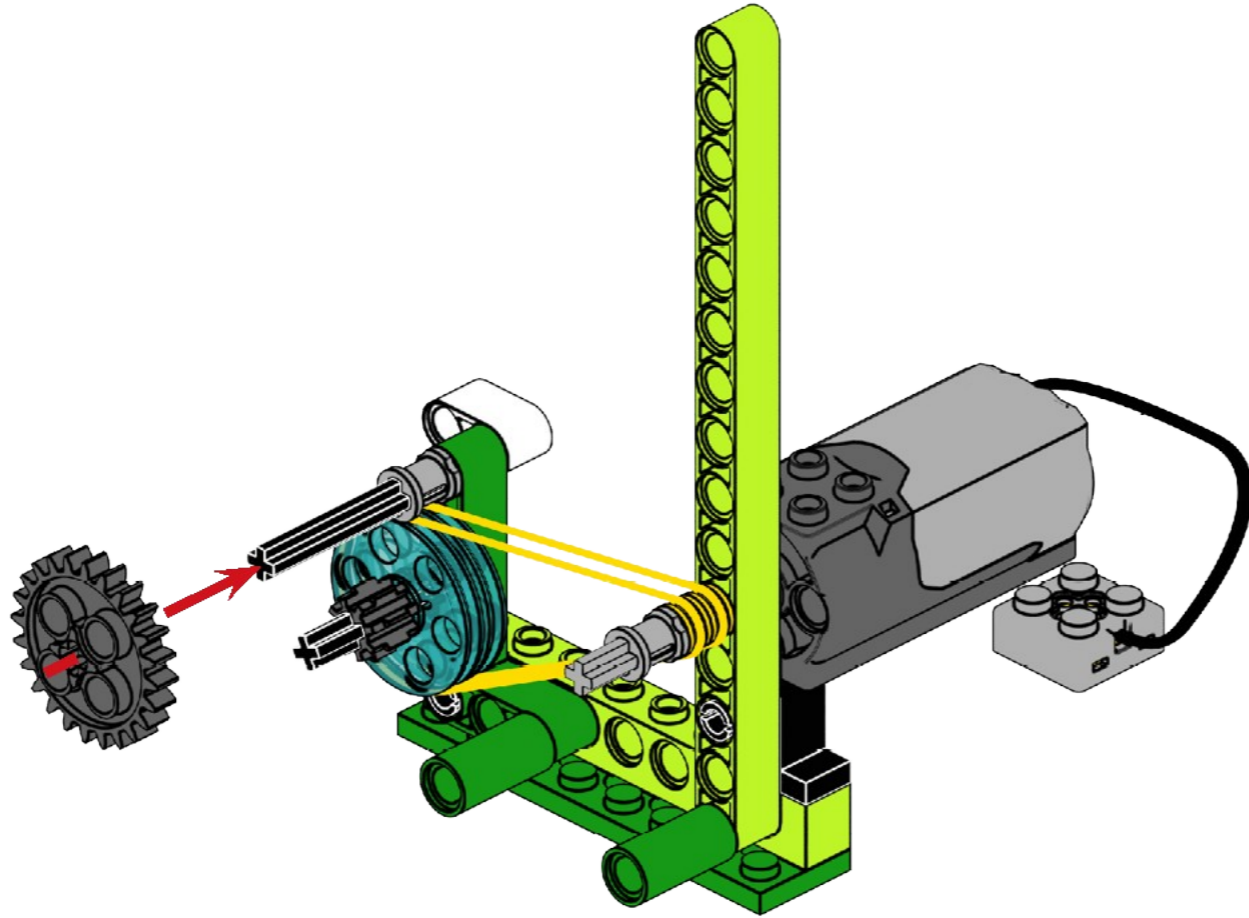


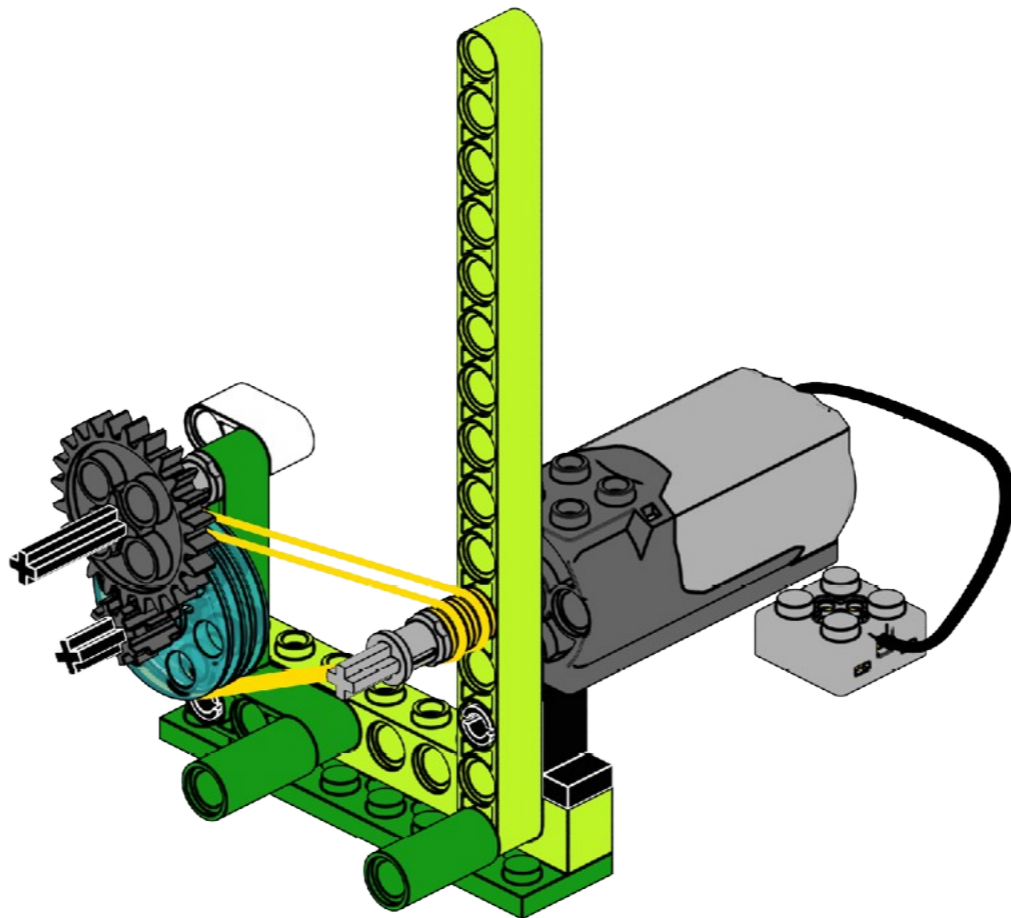






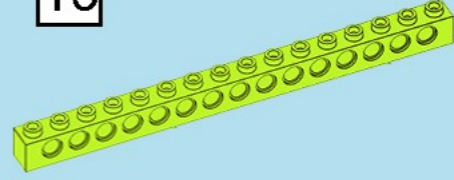








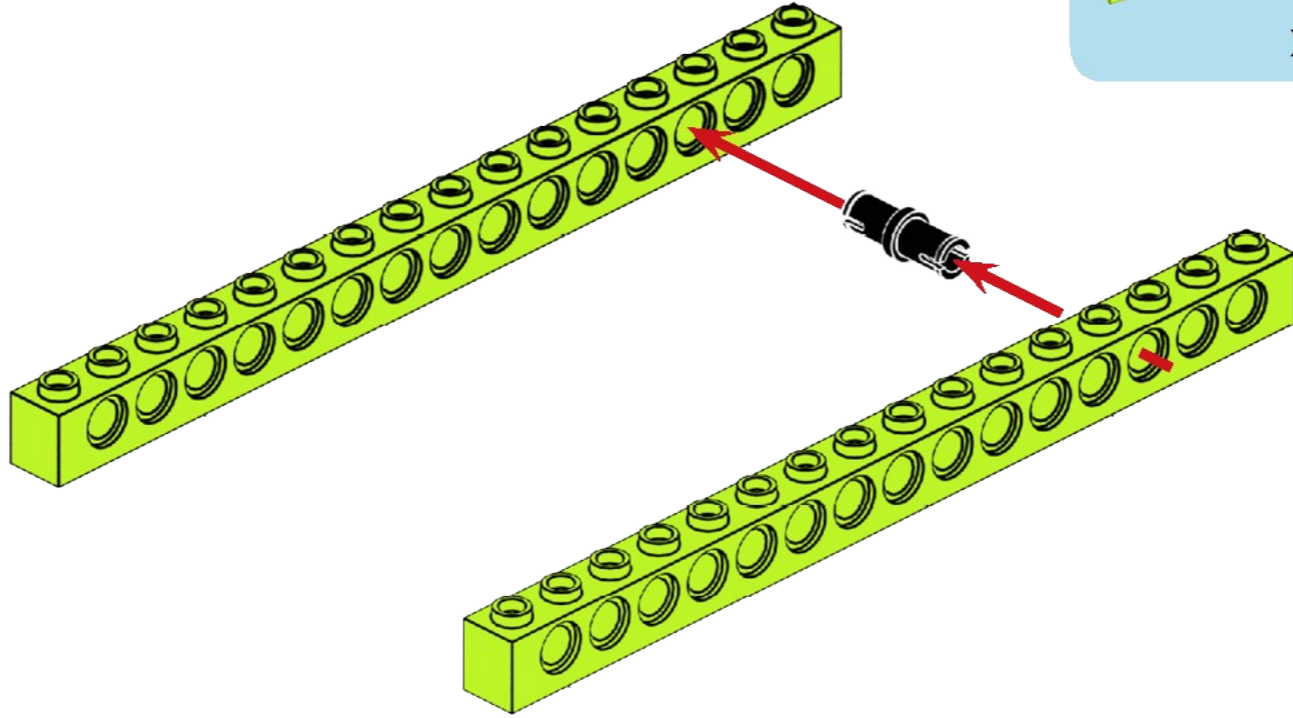
16

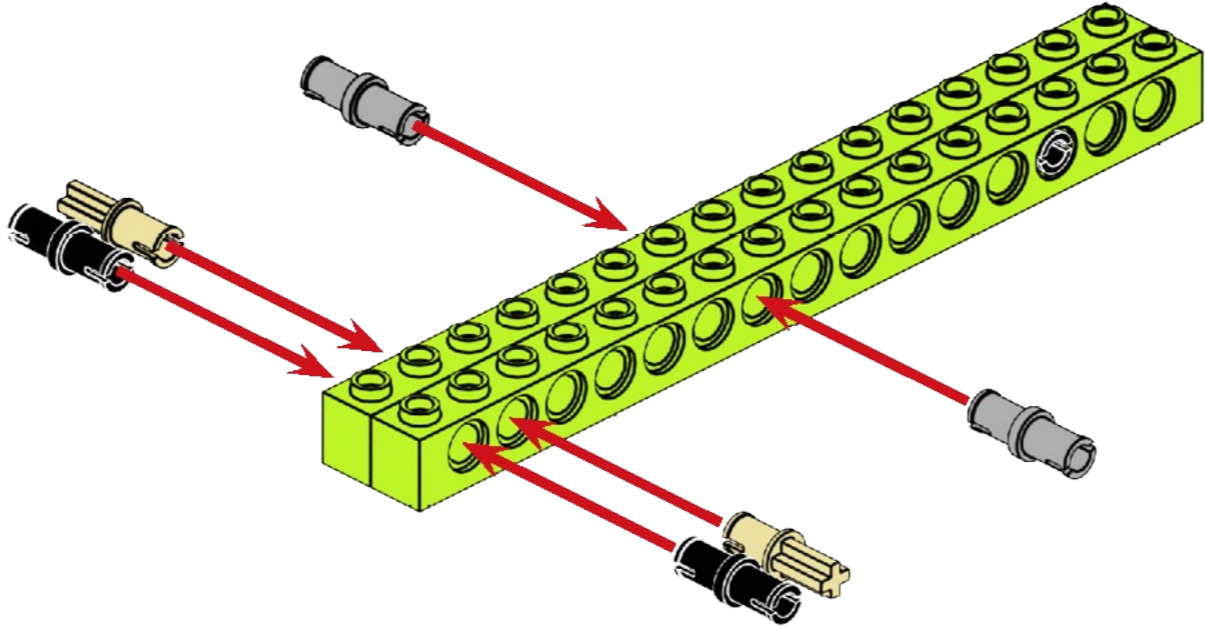
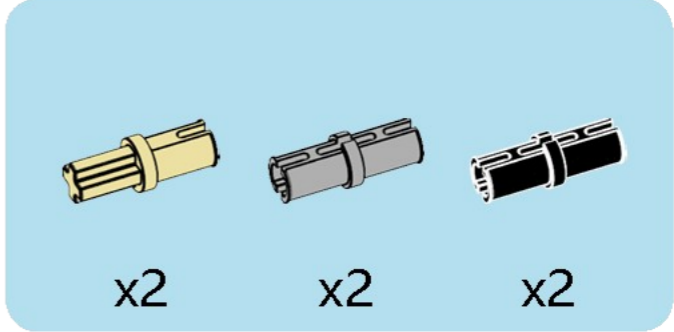


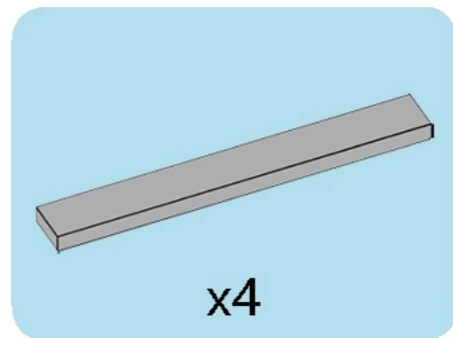
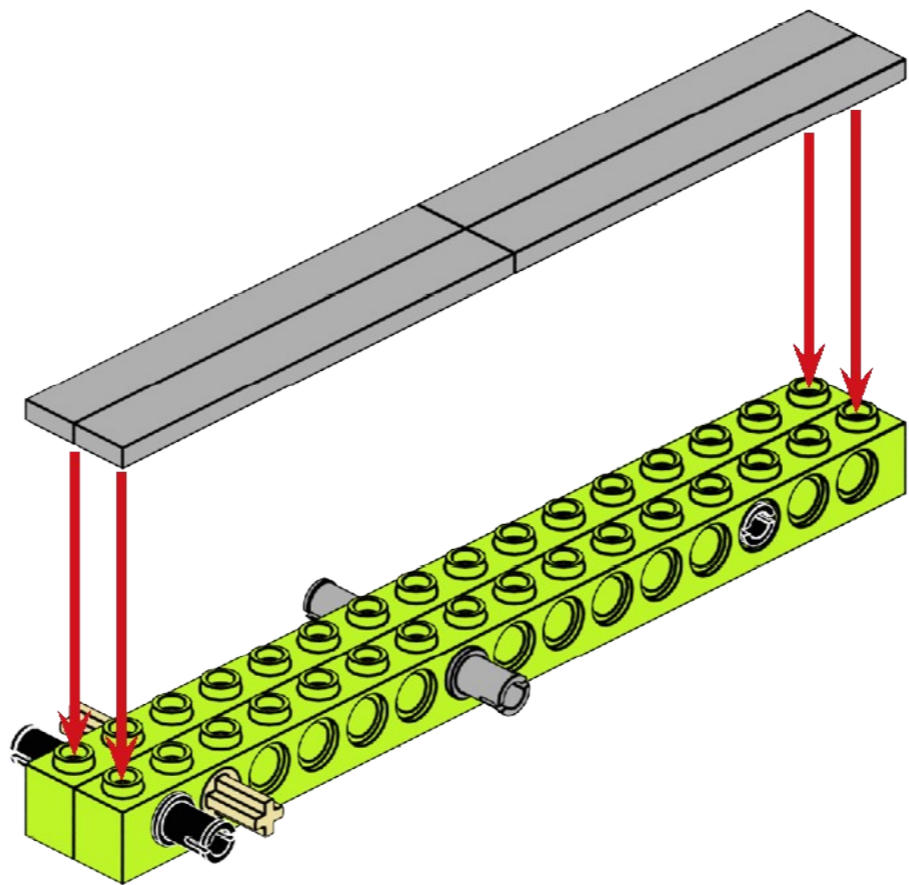
x2

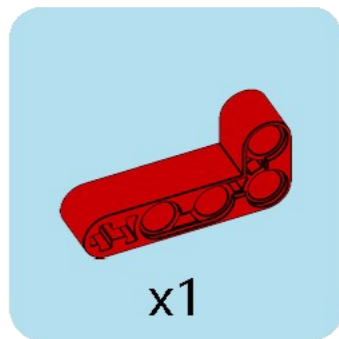
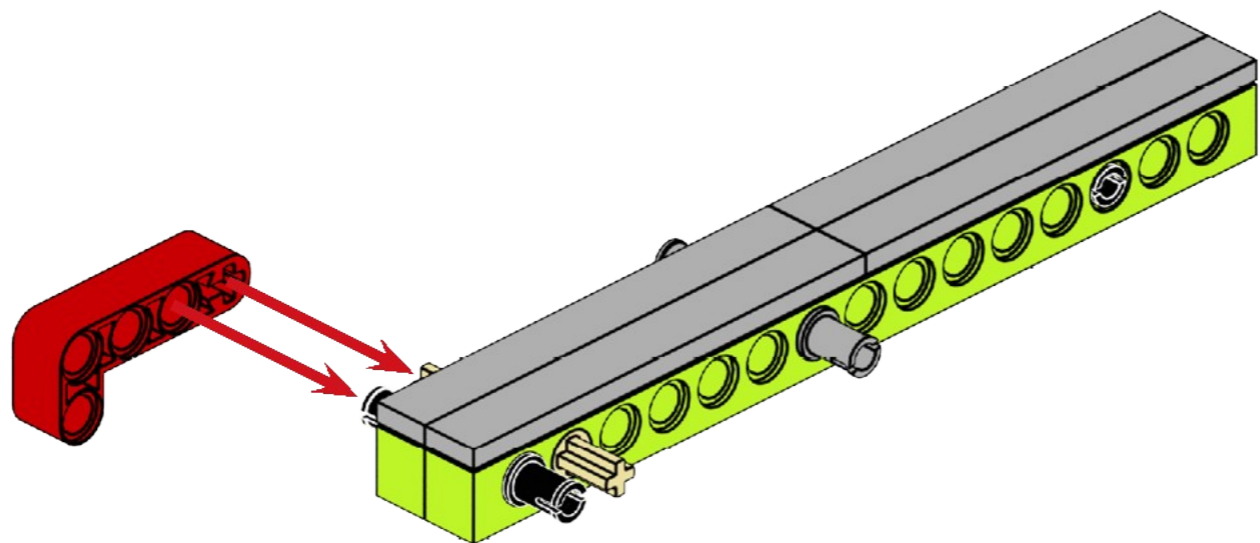


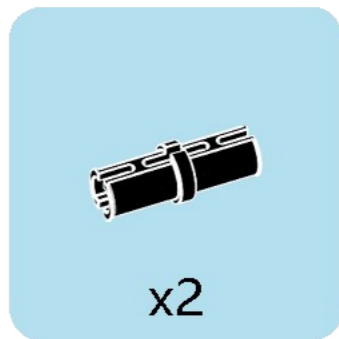
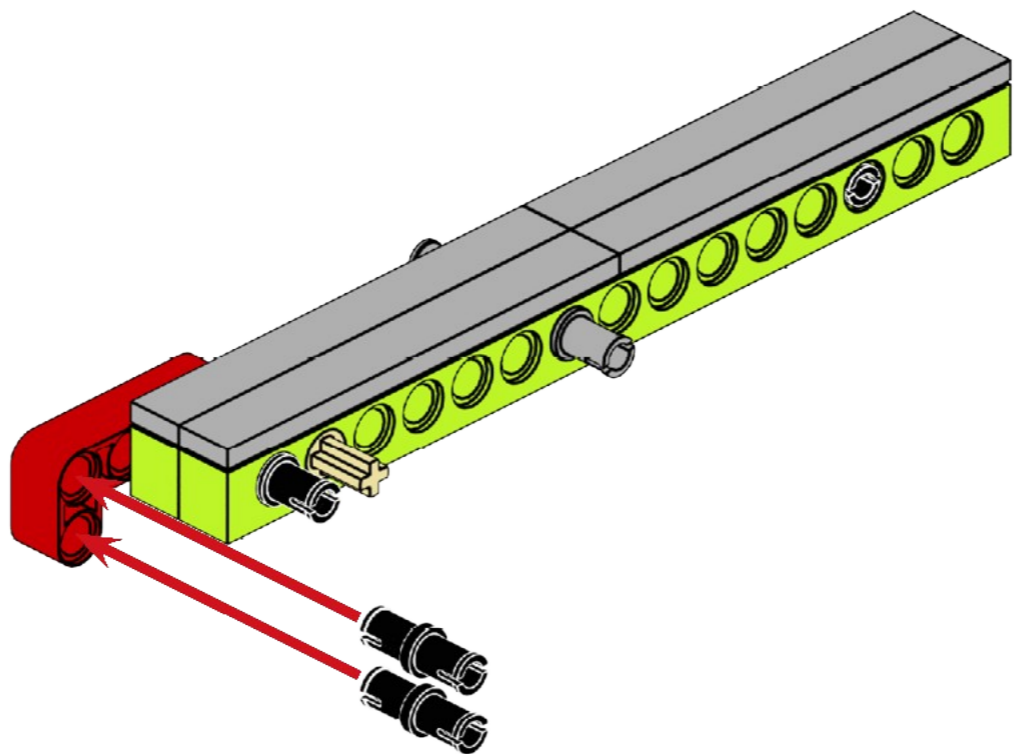
x1

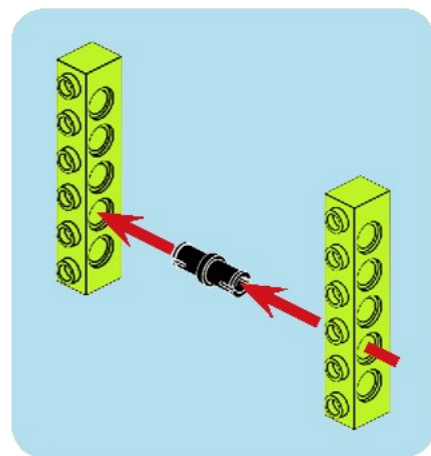
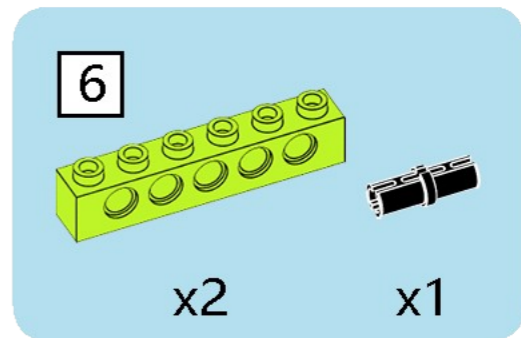
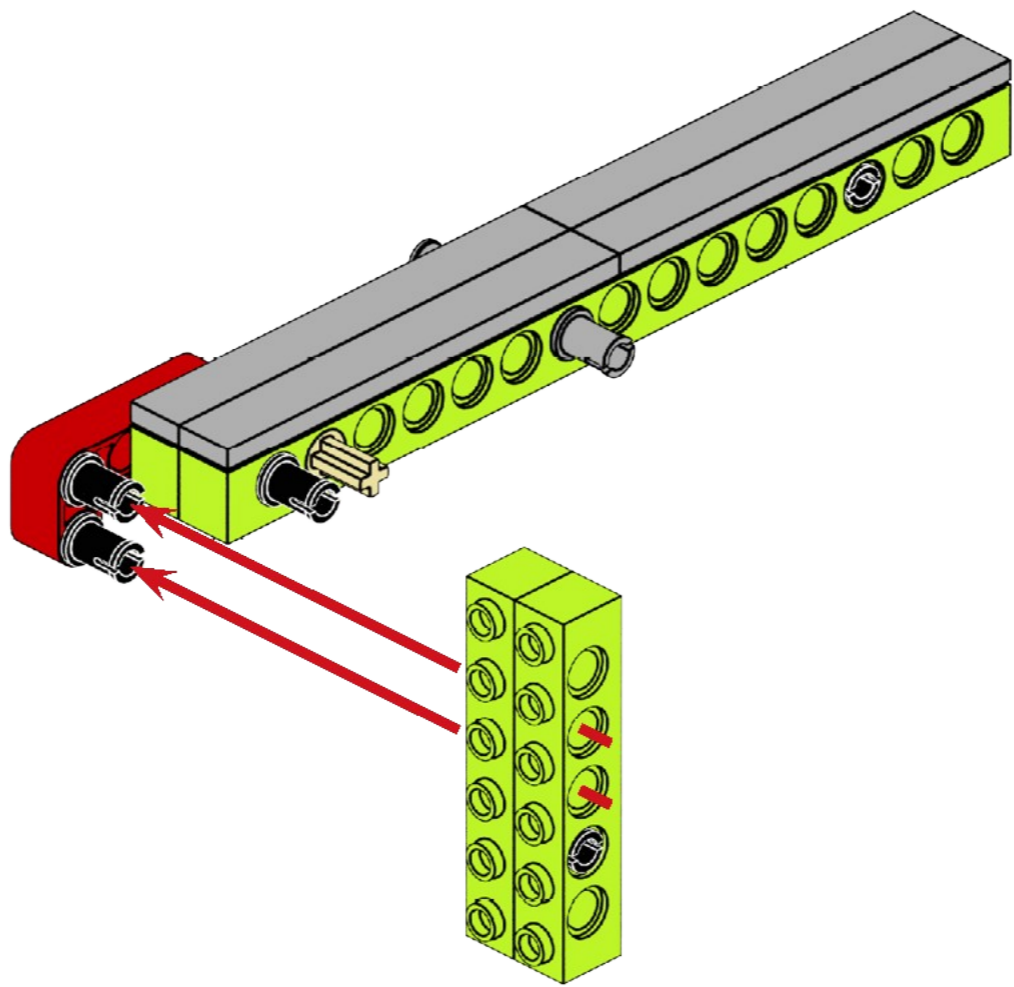


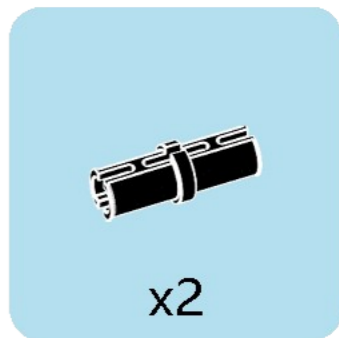
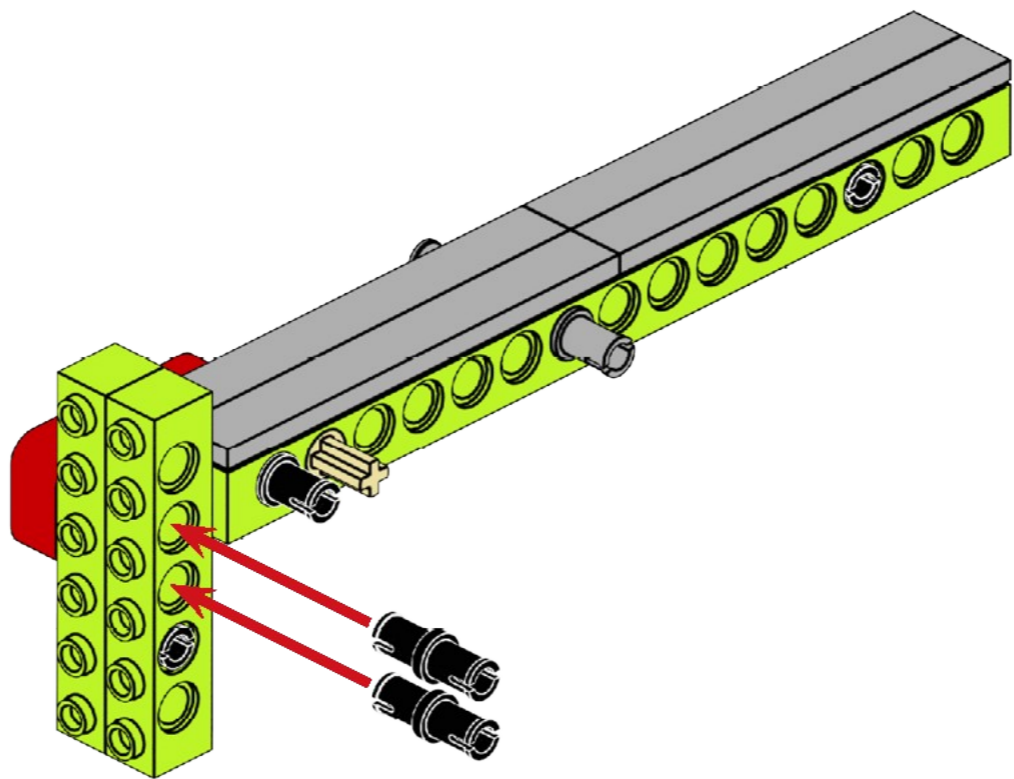


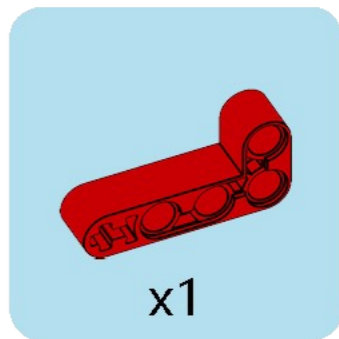
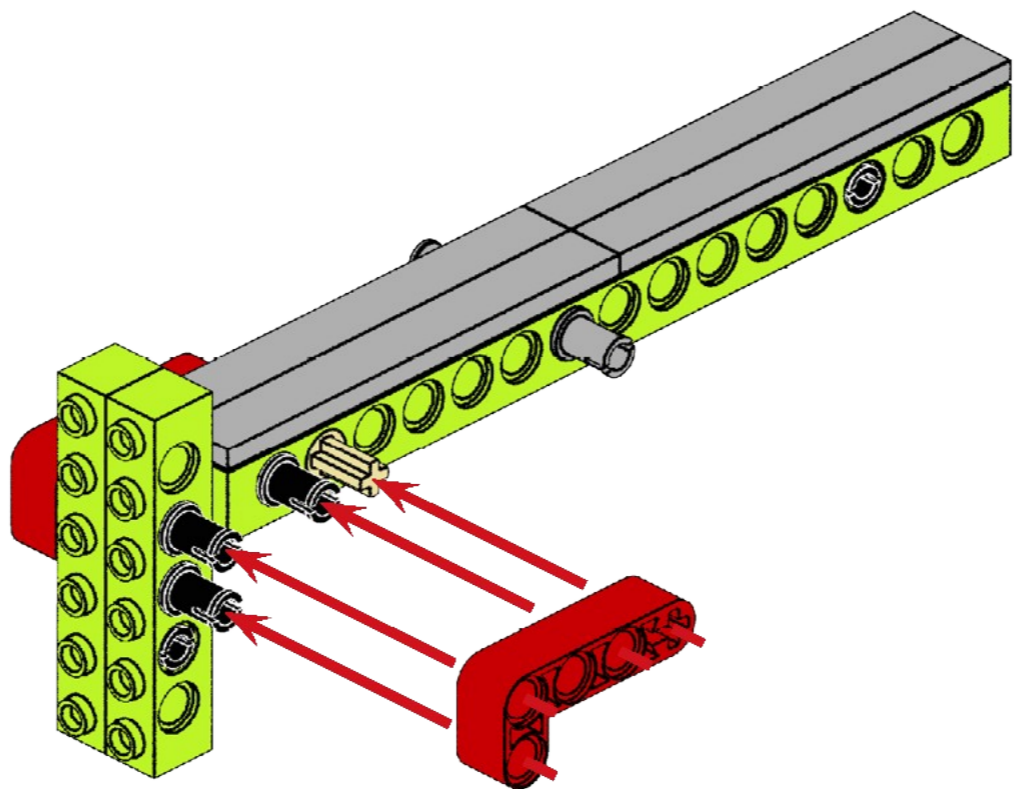


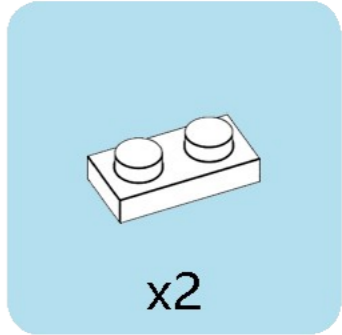
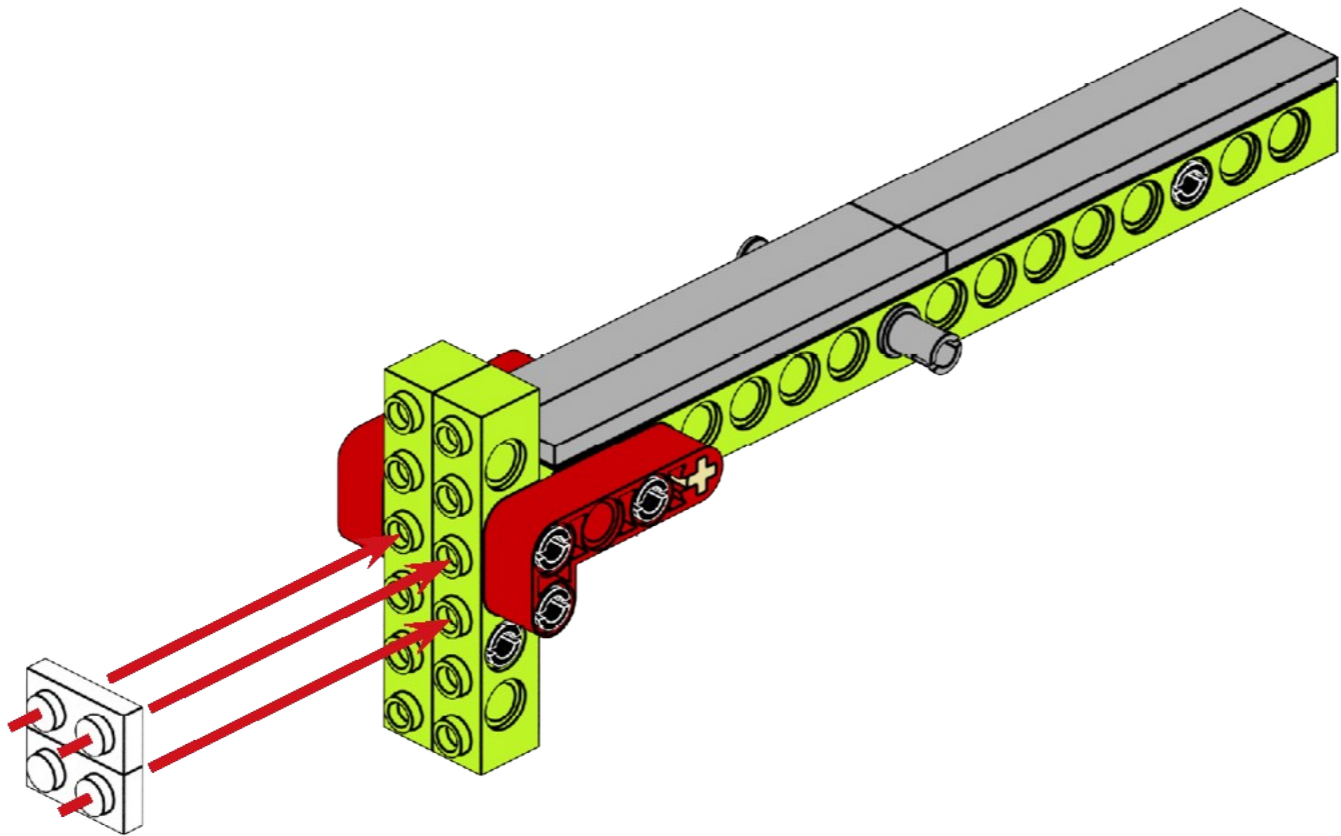


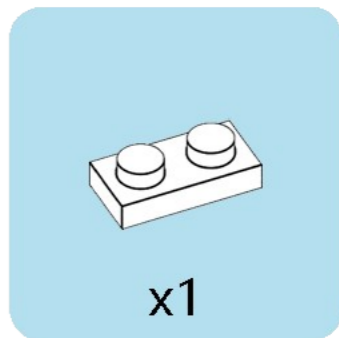
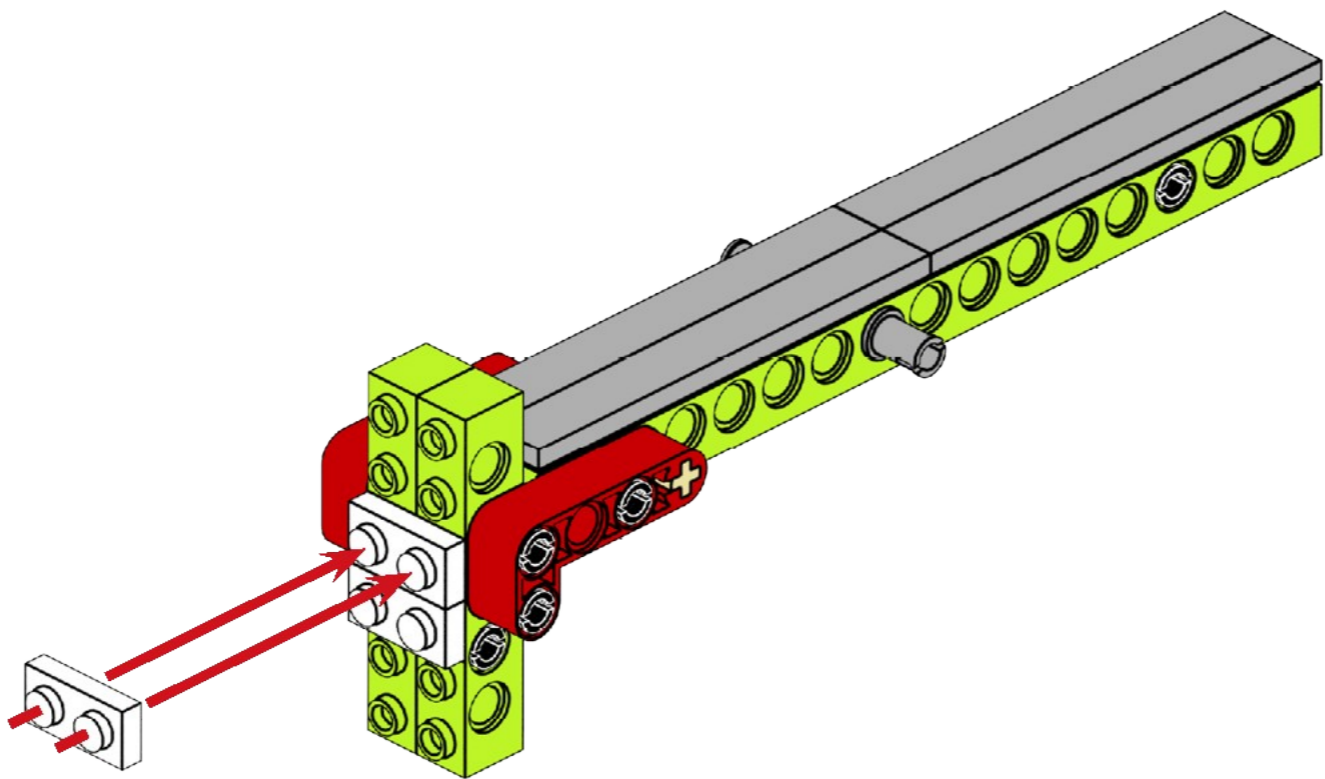


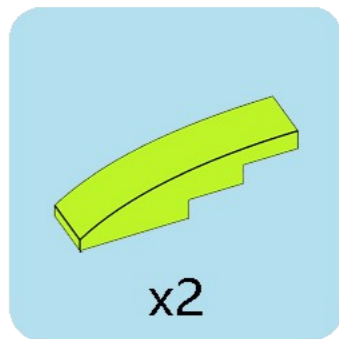
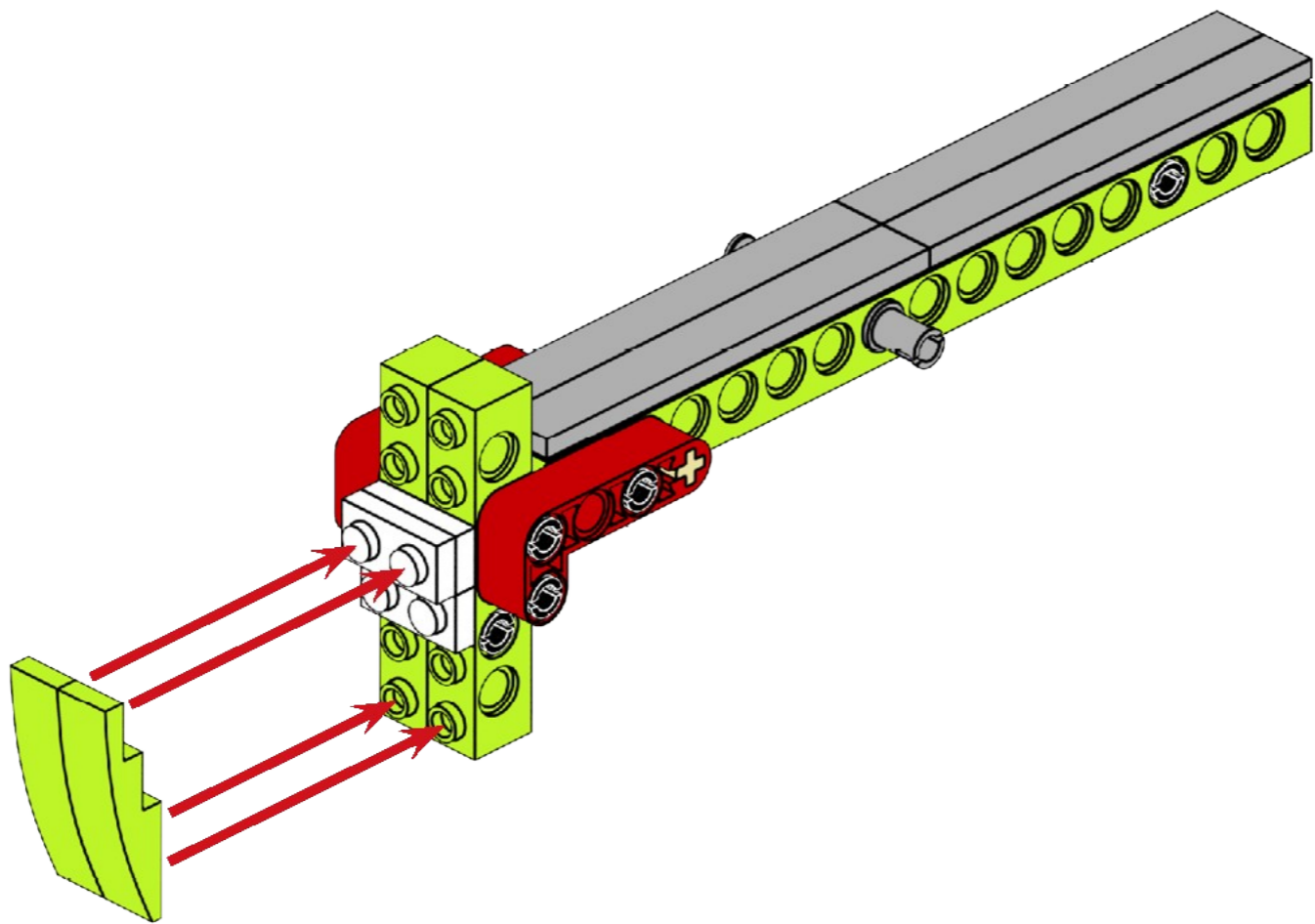


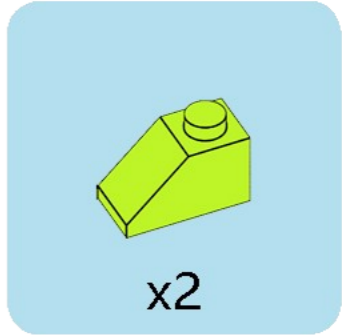
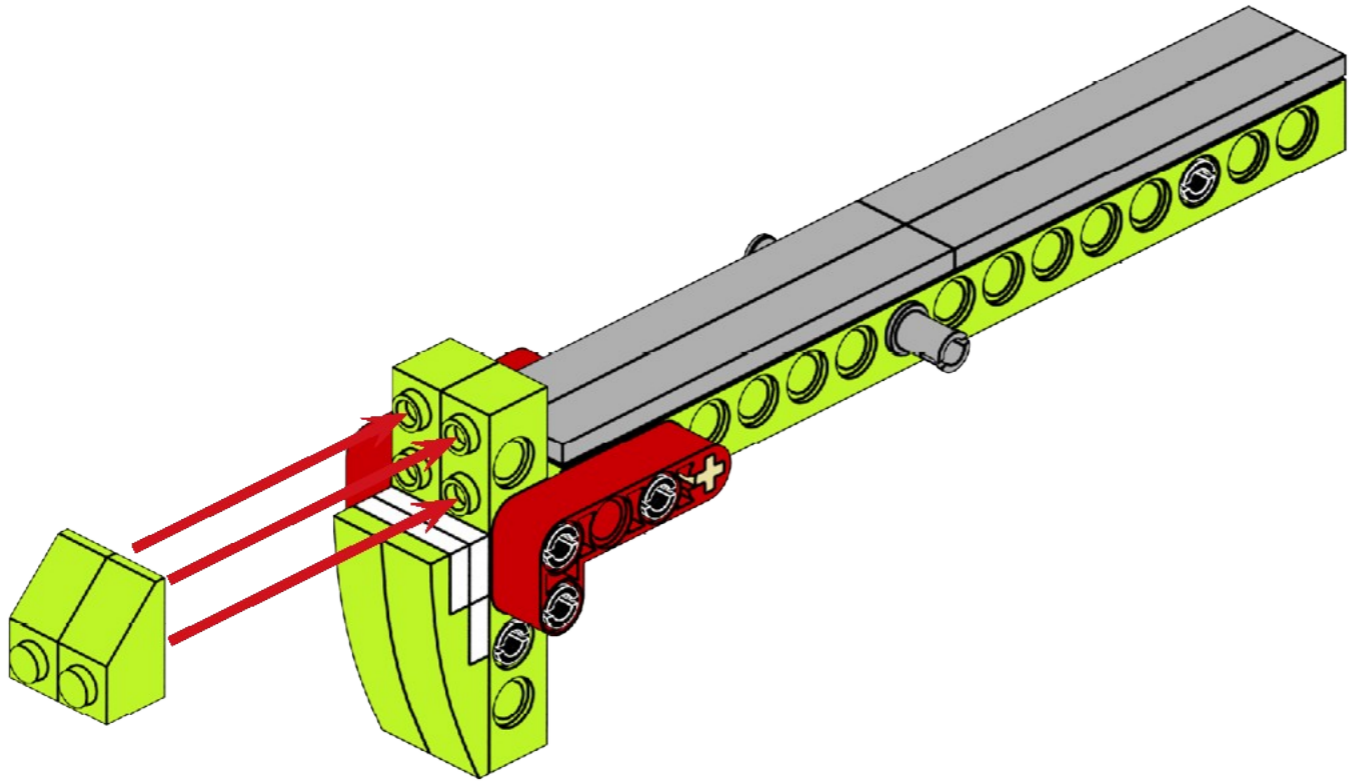


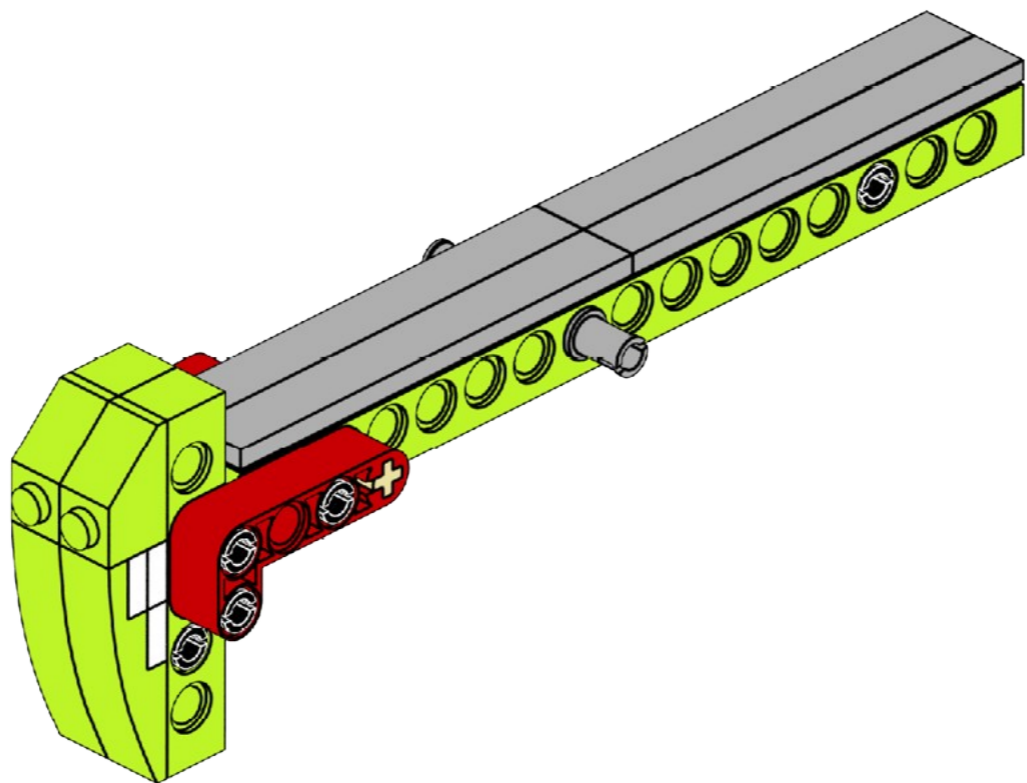


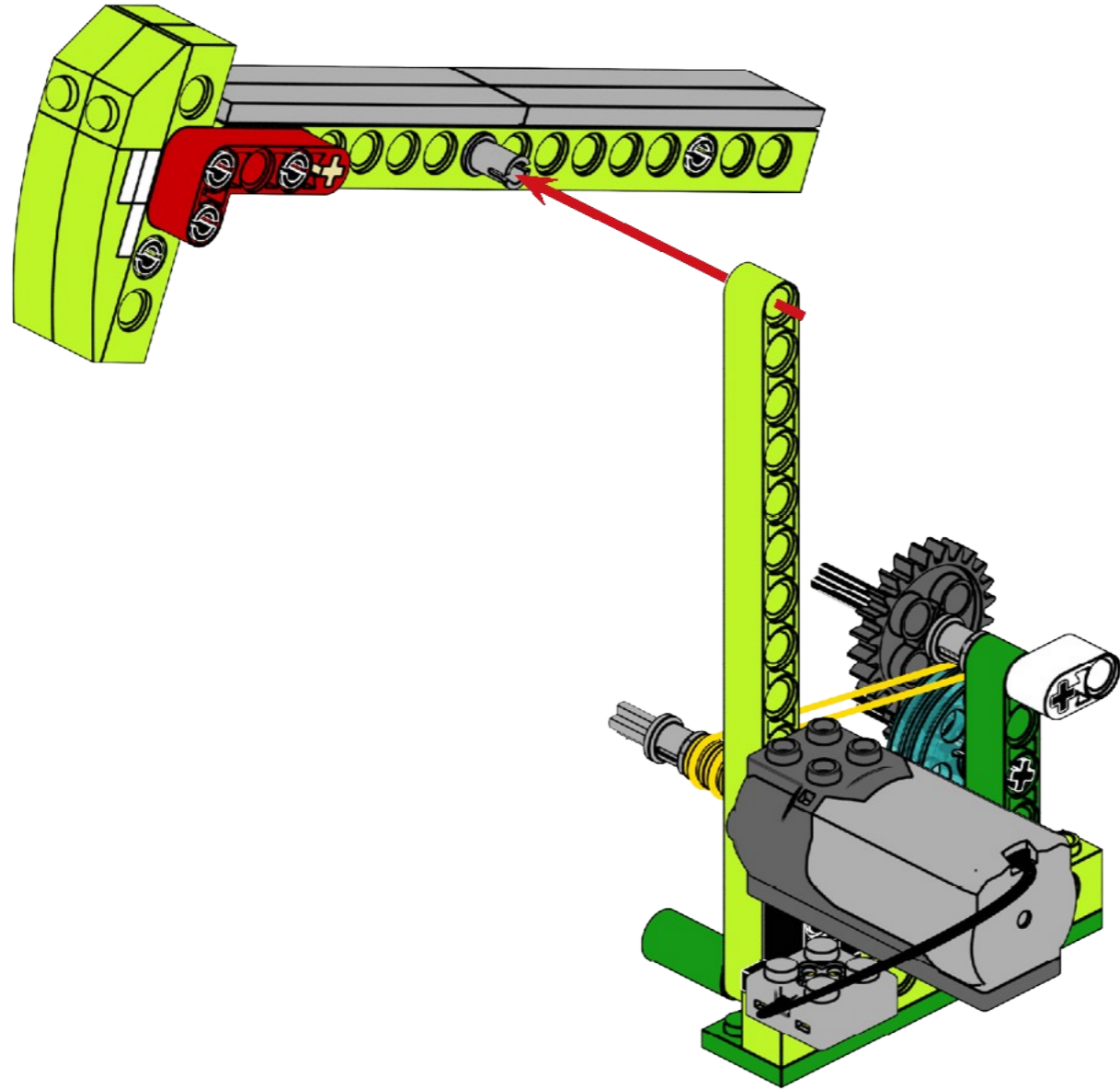


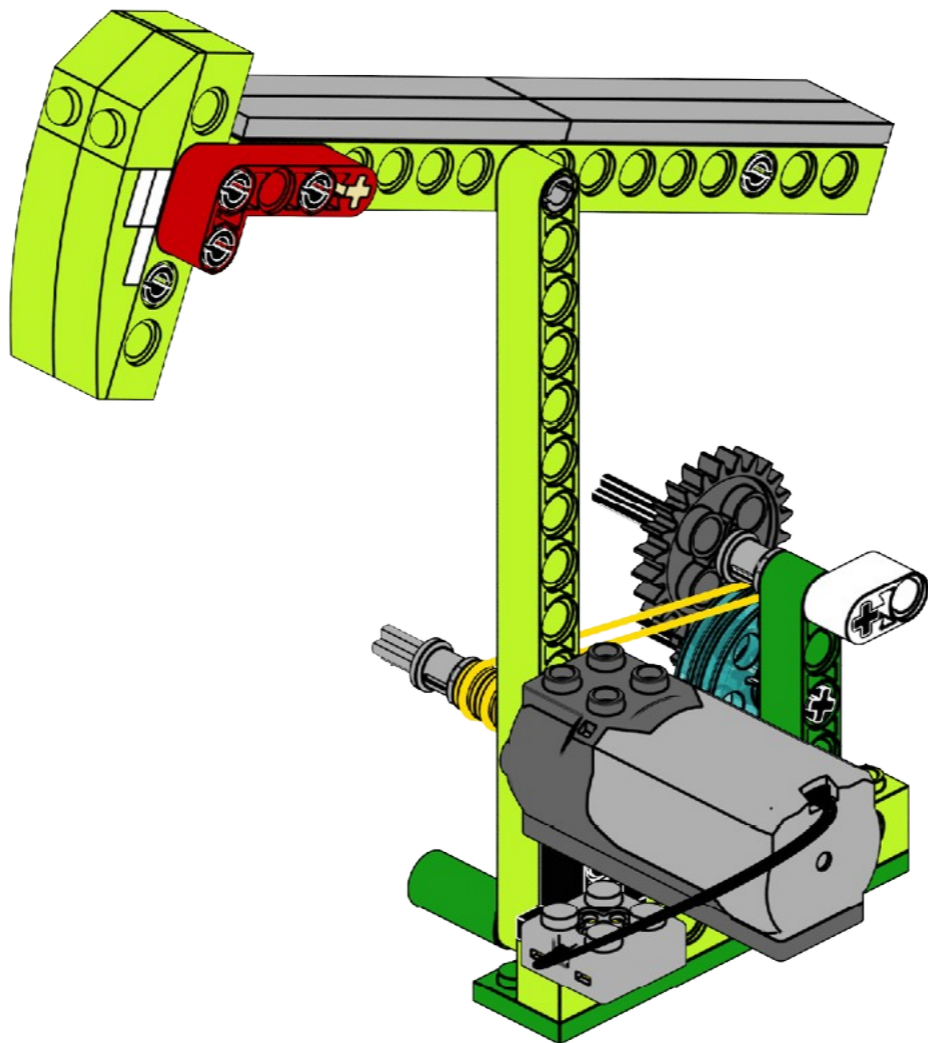


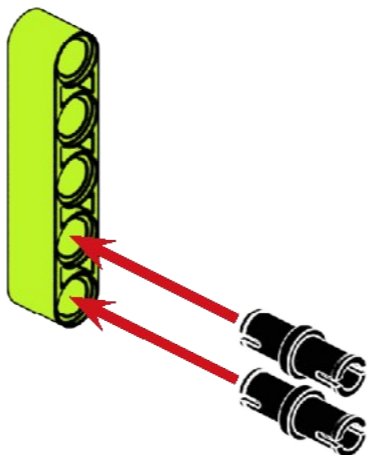




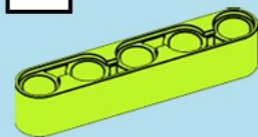








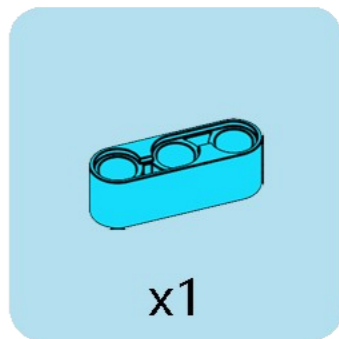
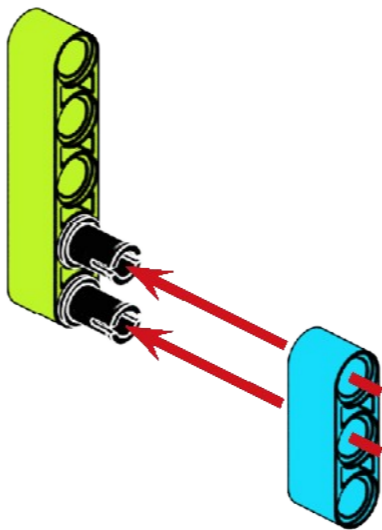
5

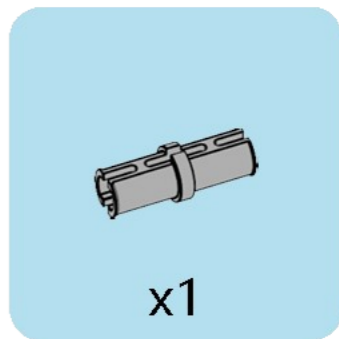
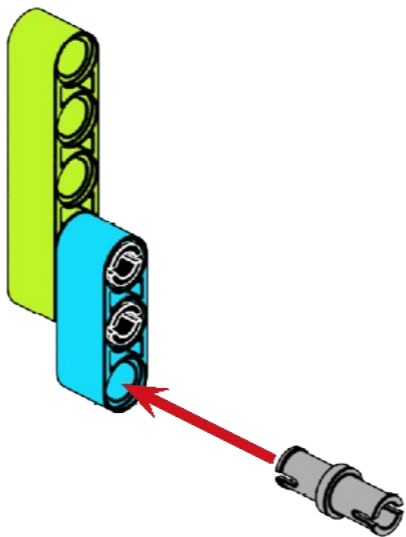


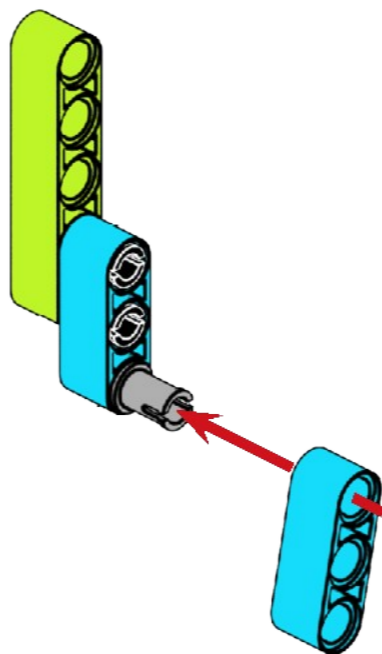
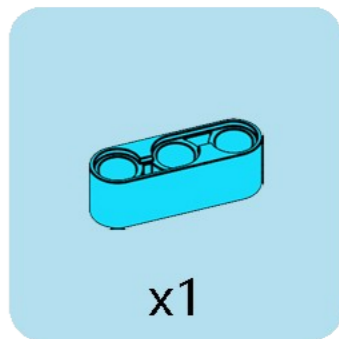
x1

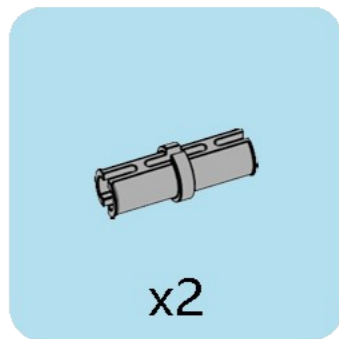
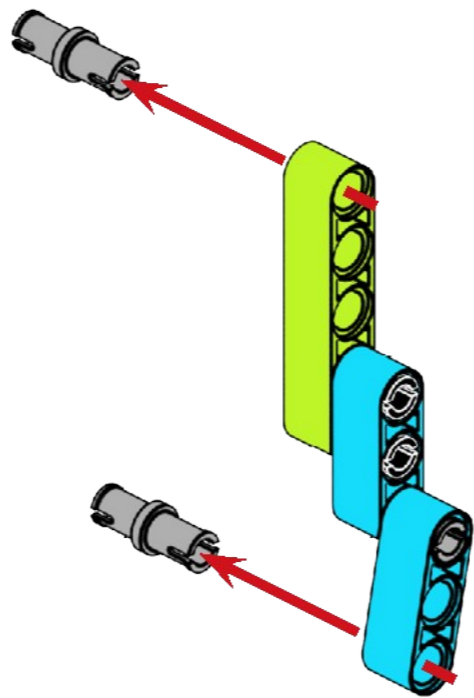


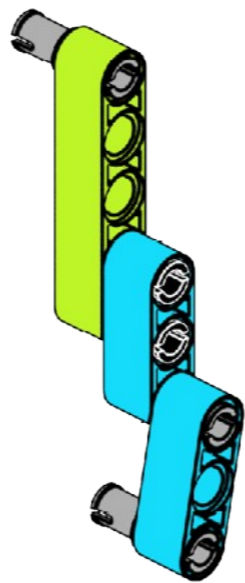
x2

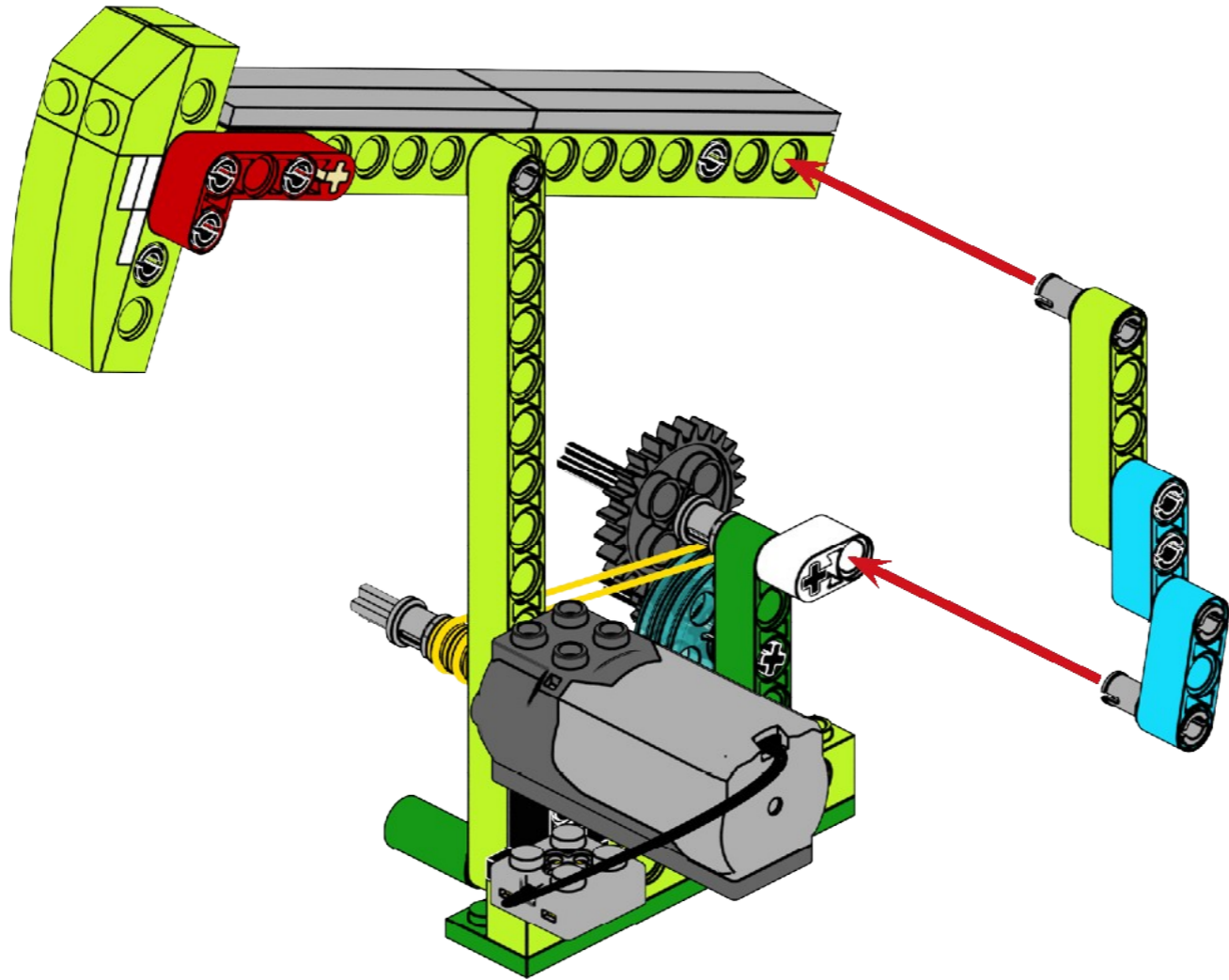






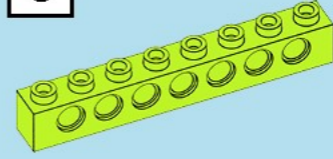








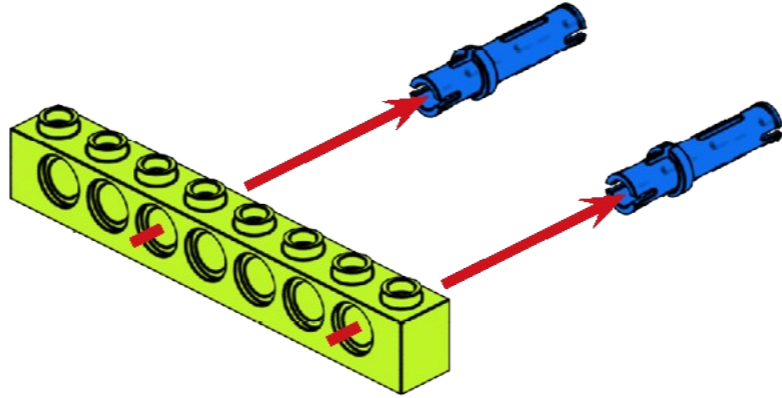
8

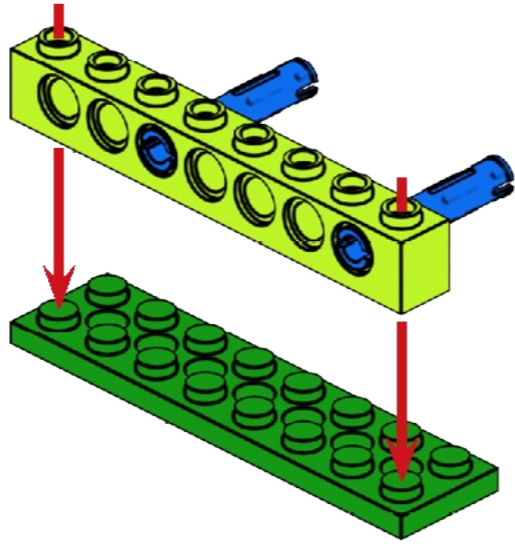
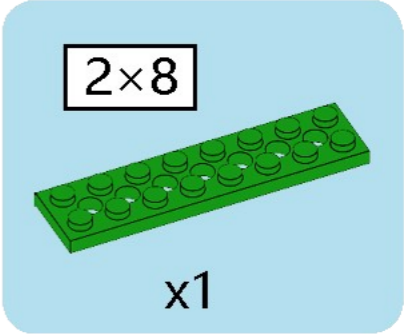


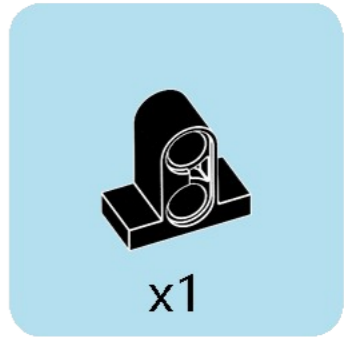
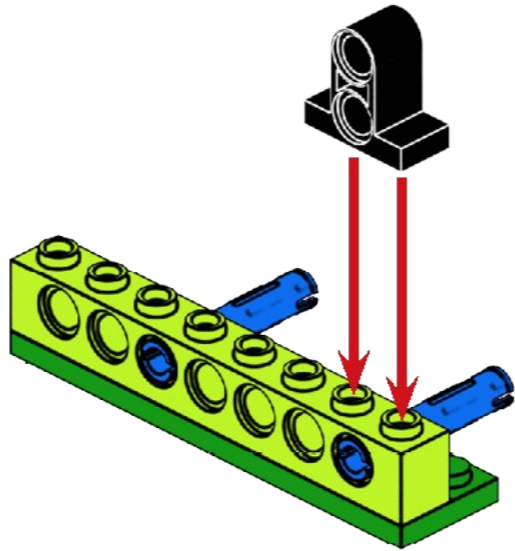
x1

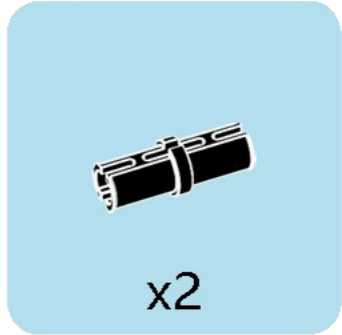
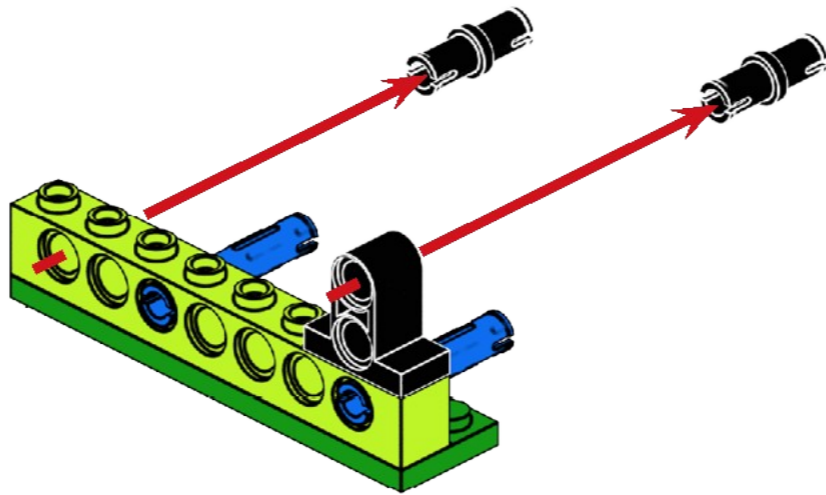


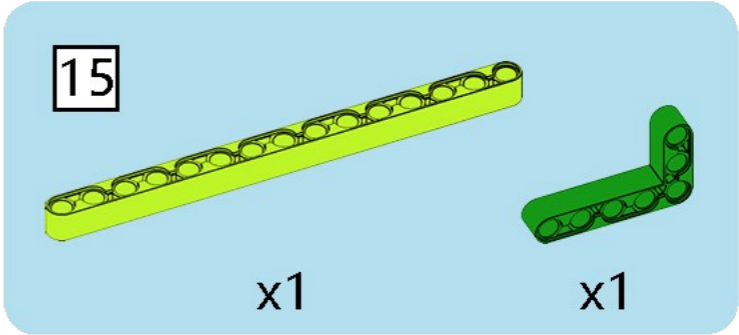
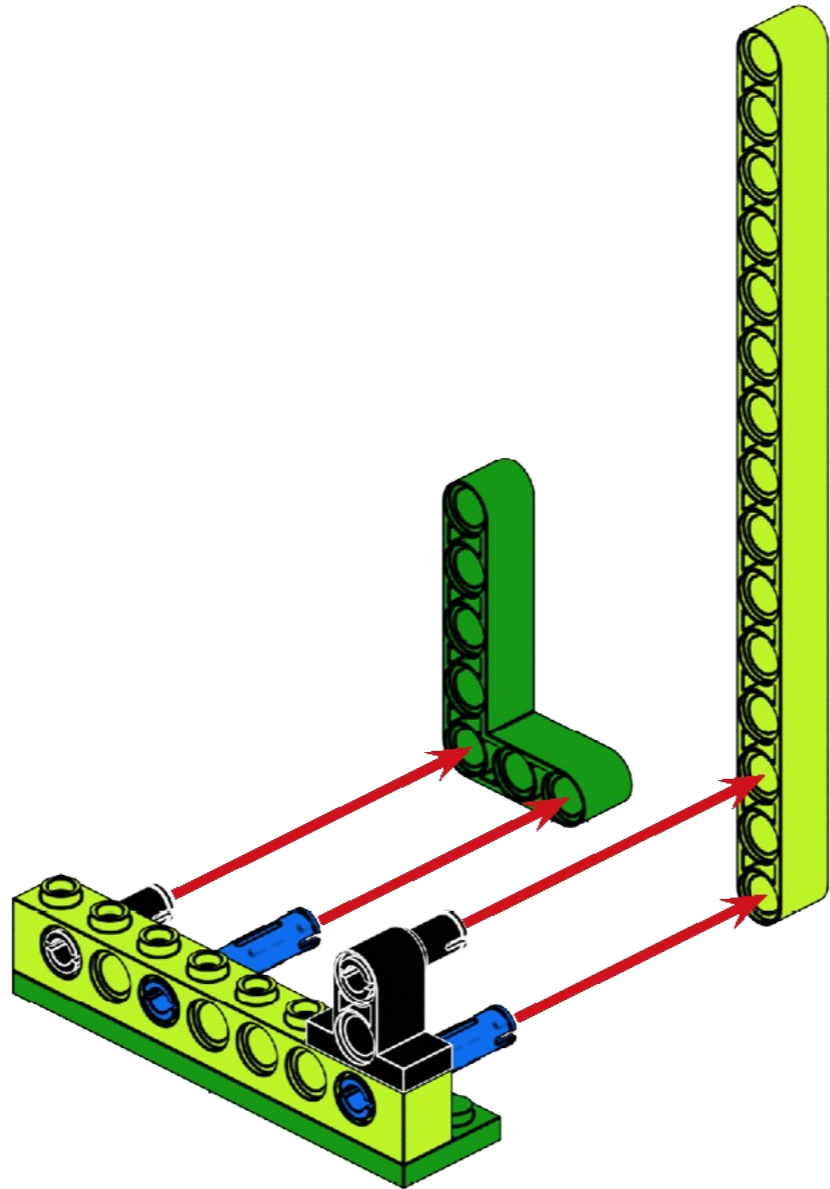
x2

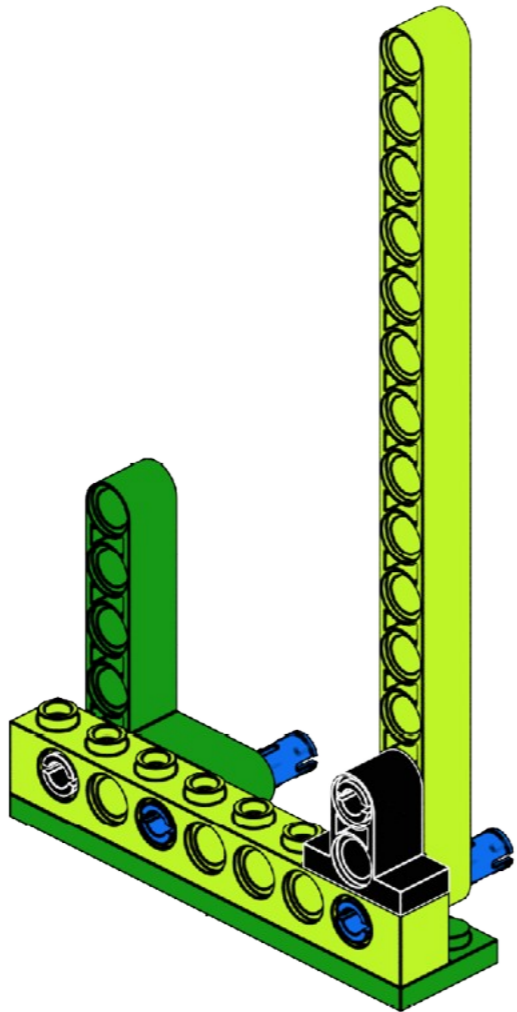


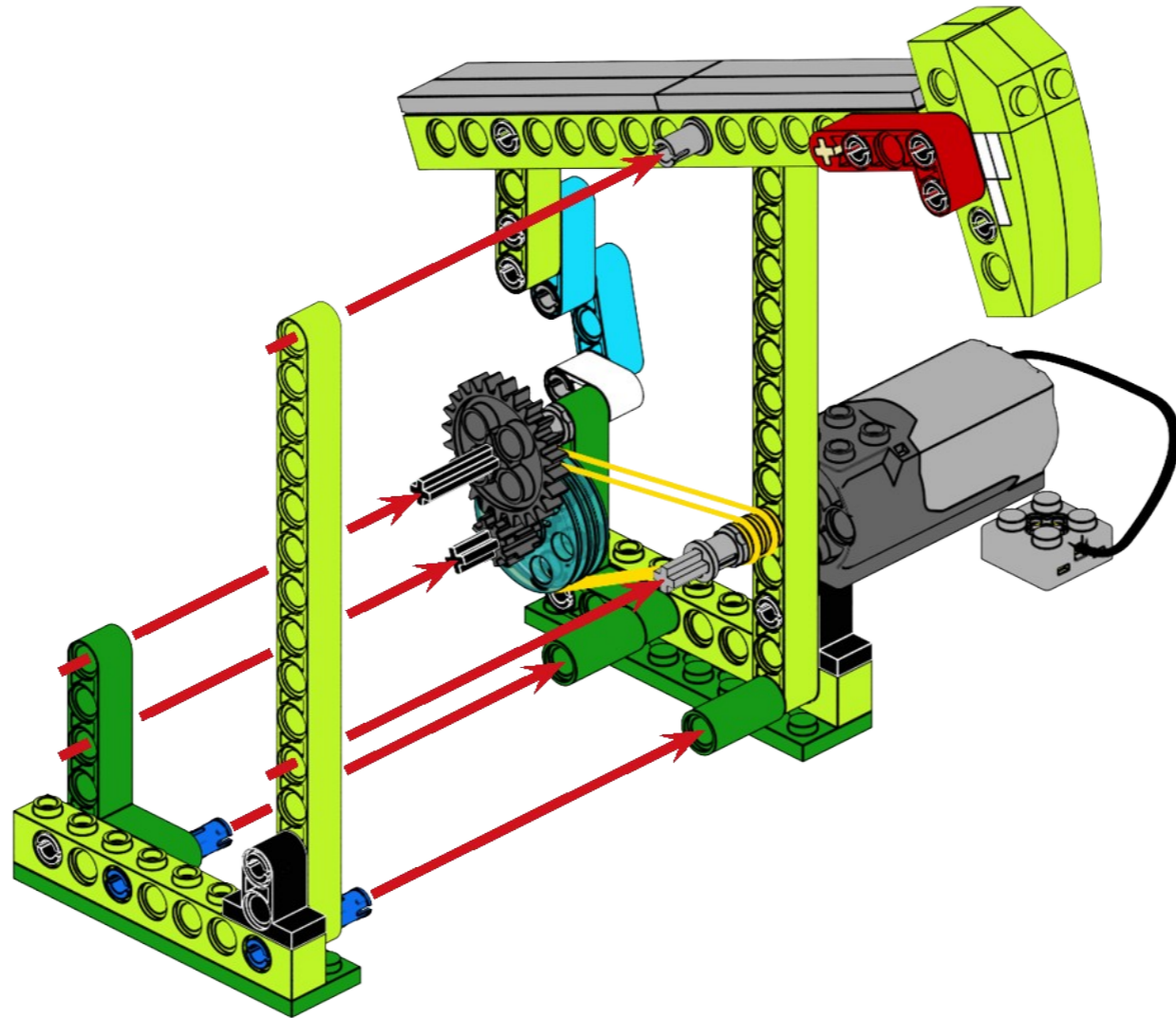


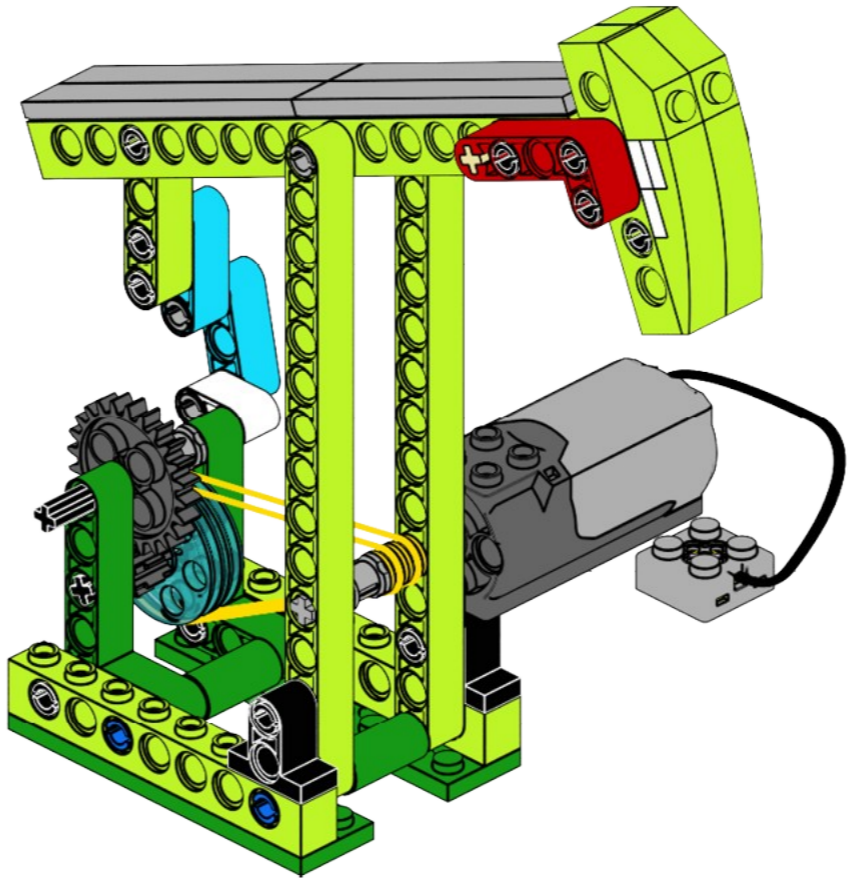


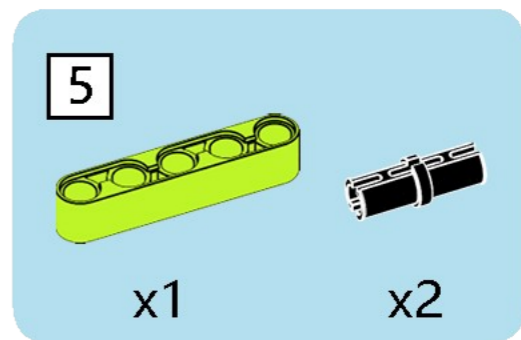
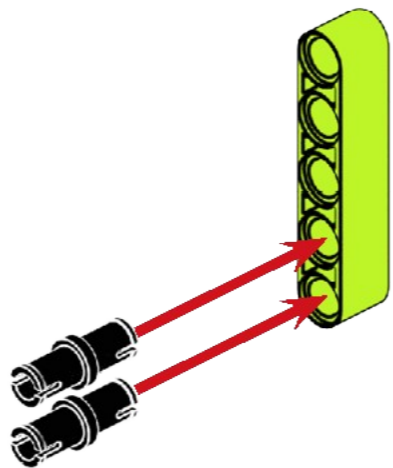


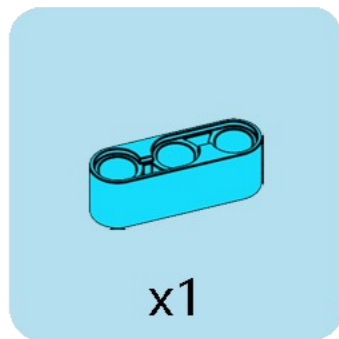
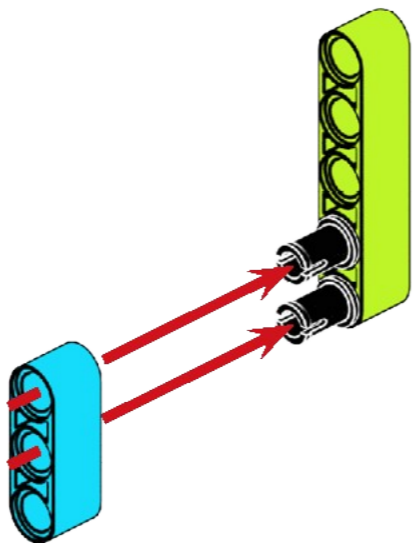


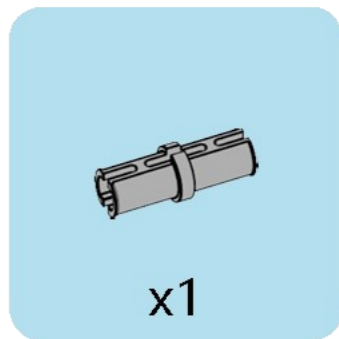
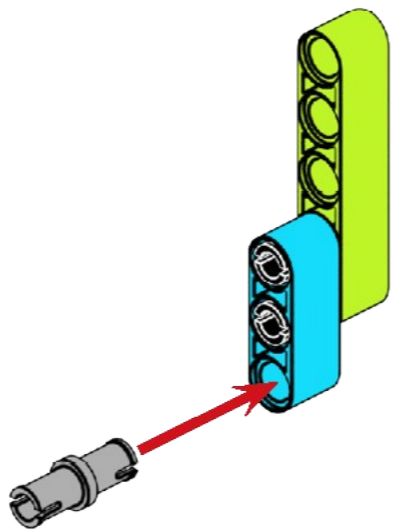


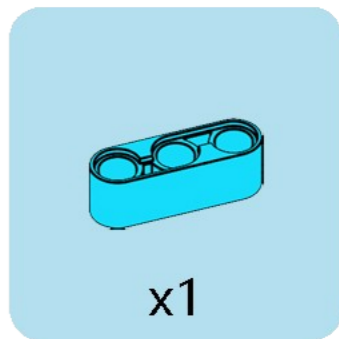
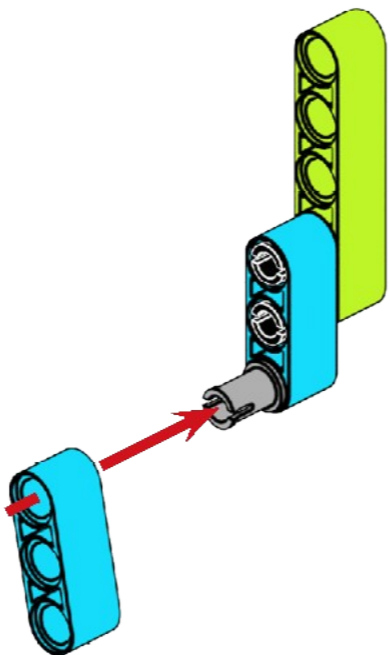


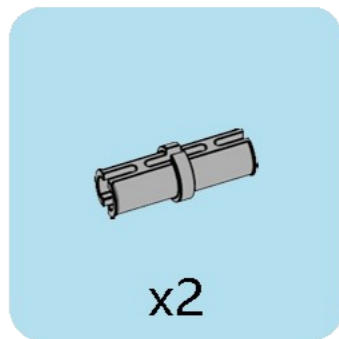
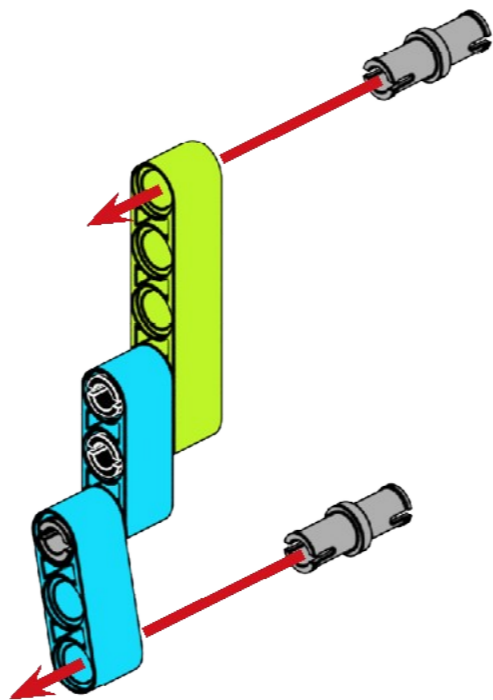


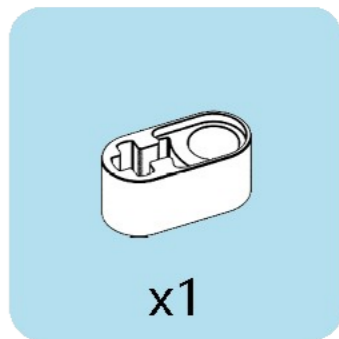
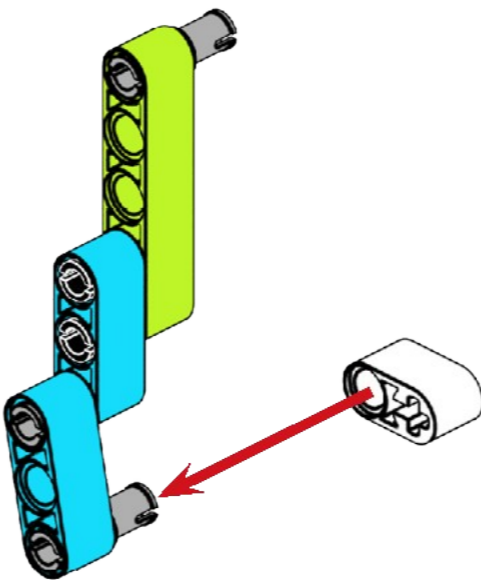


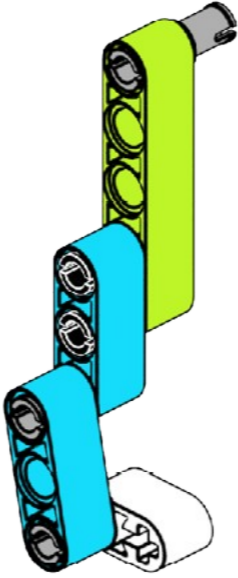


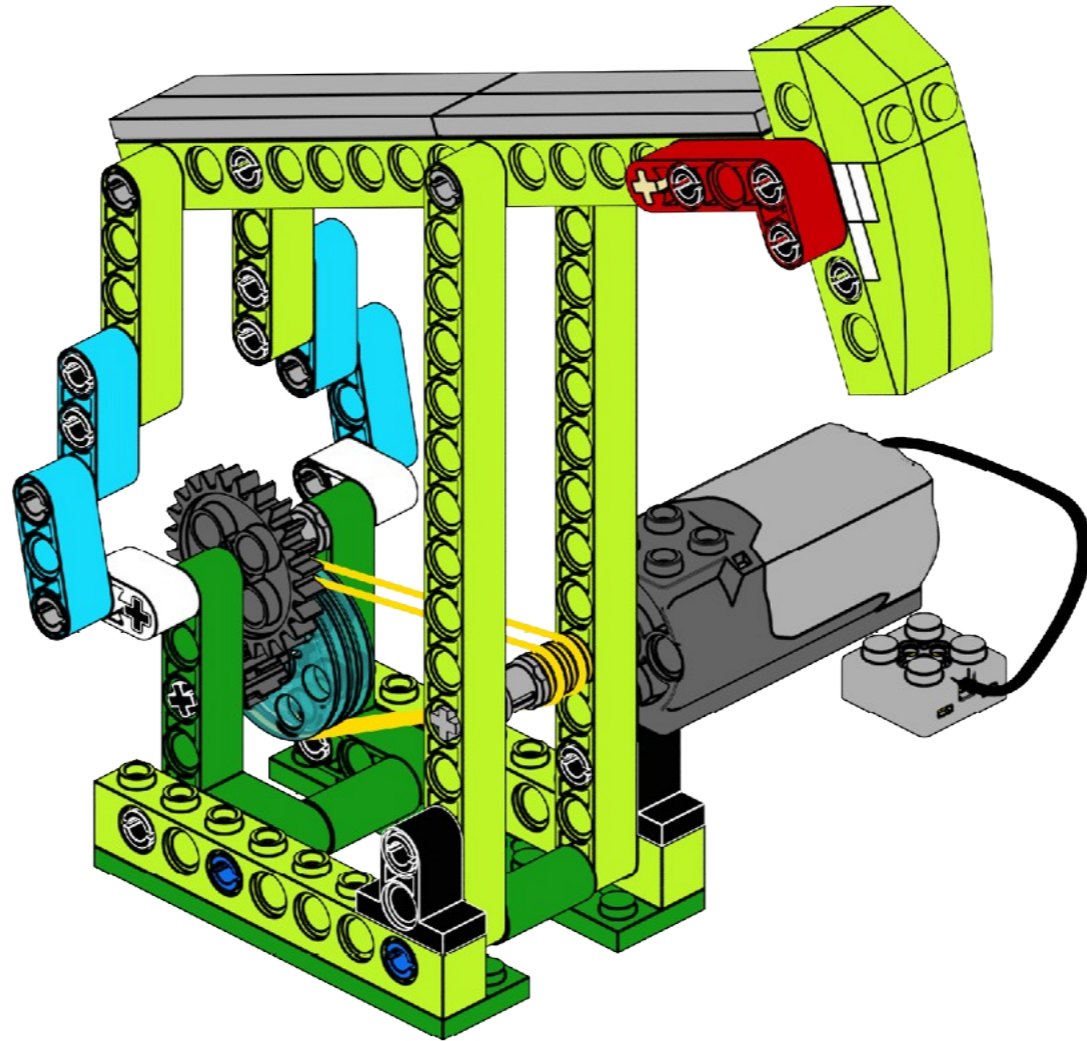


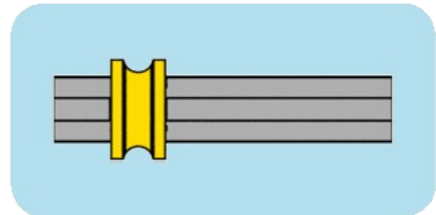
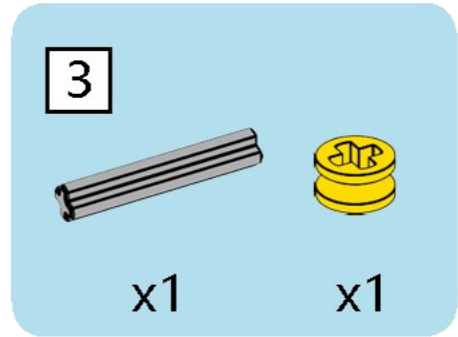
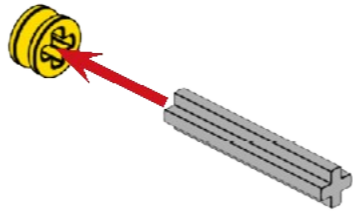


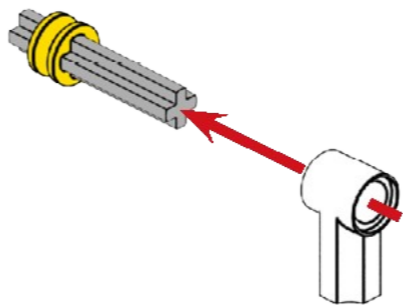
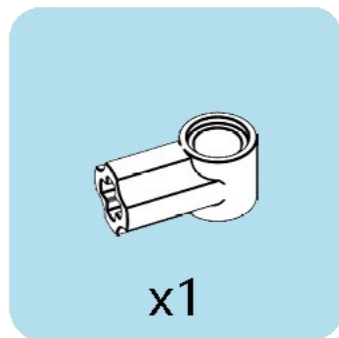






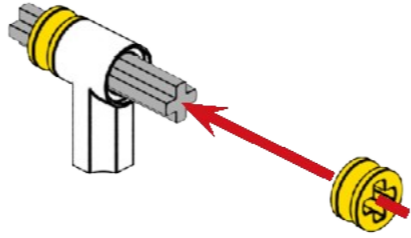


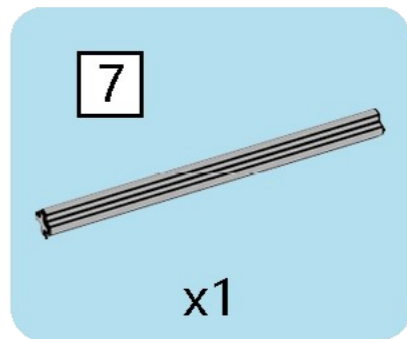
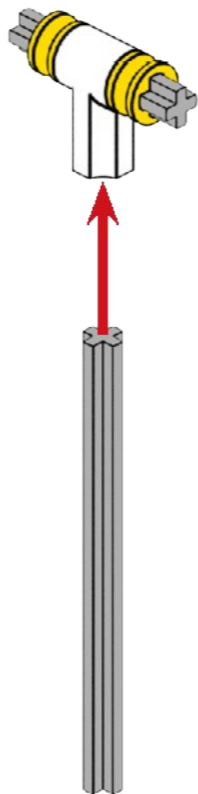


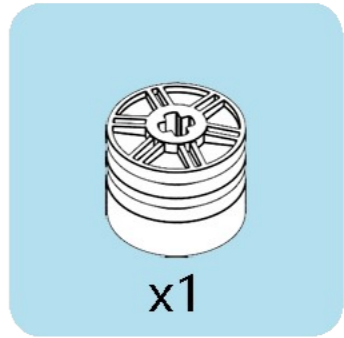
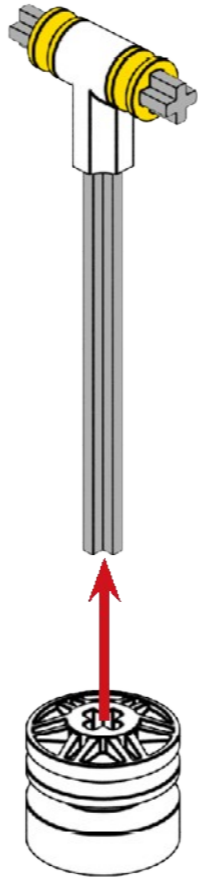


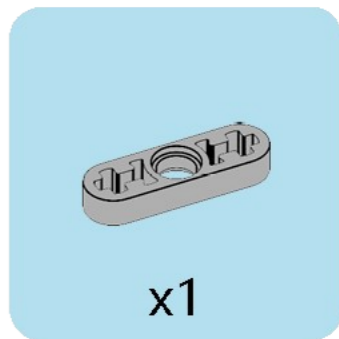
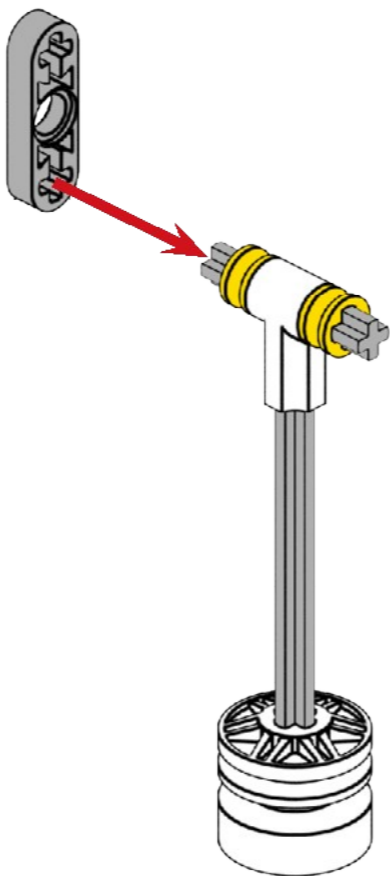


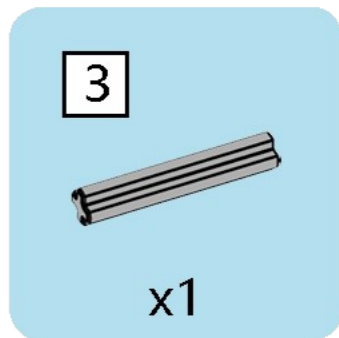
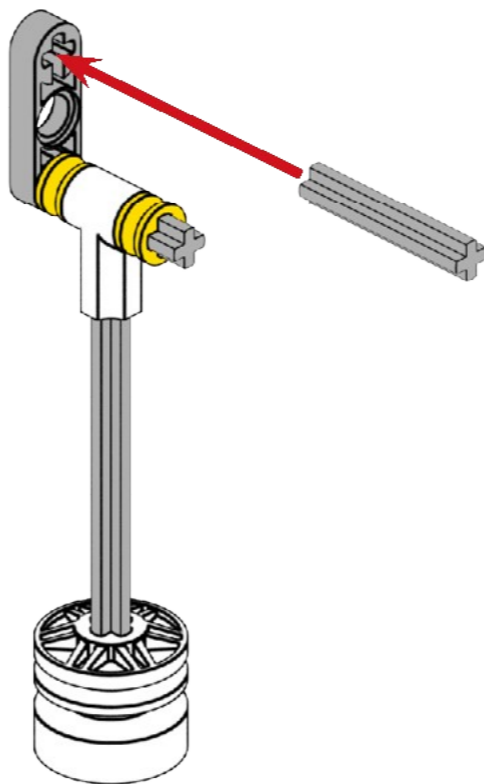
x1

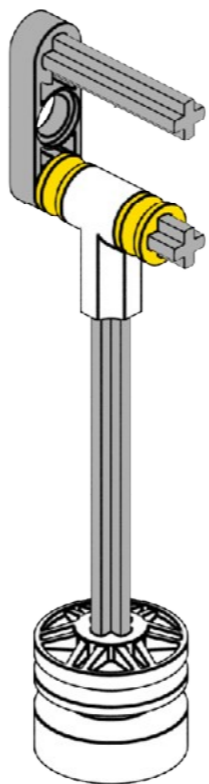


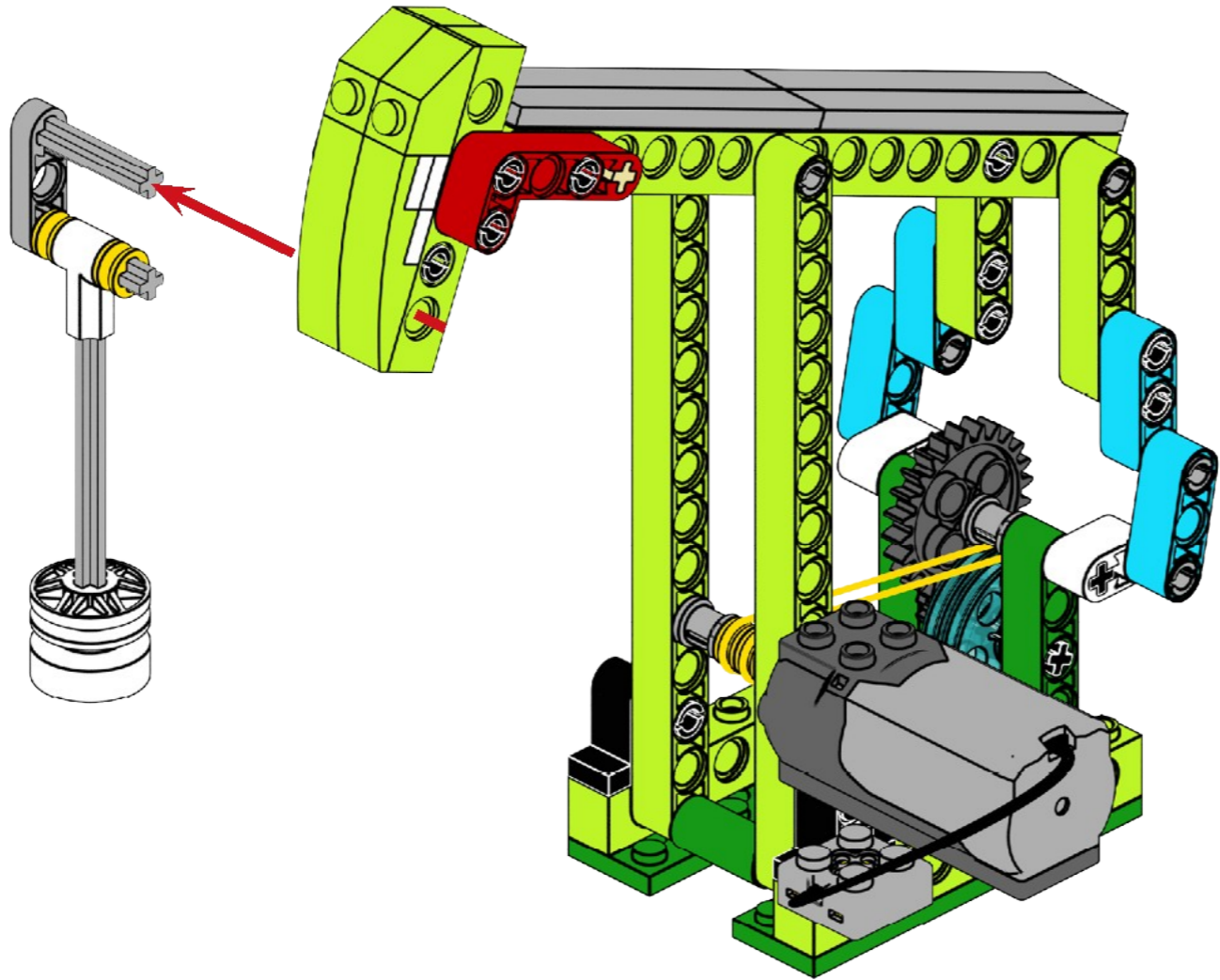


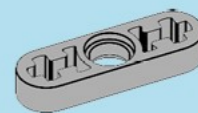
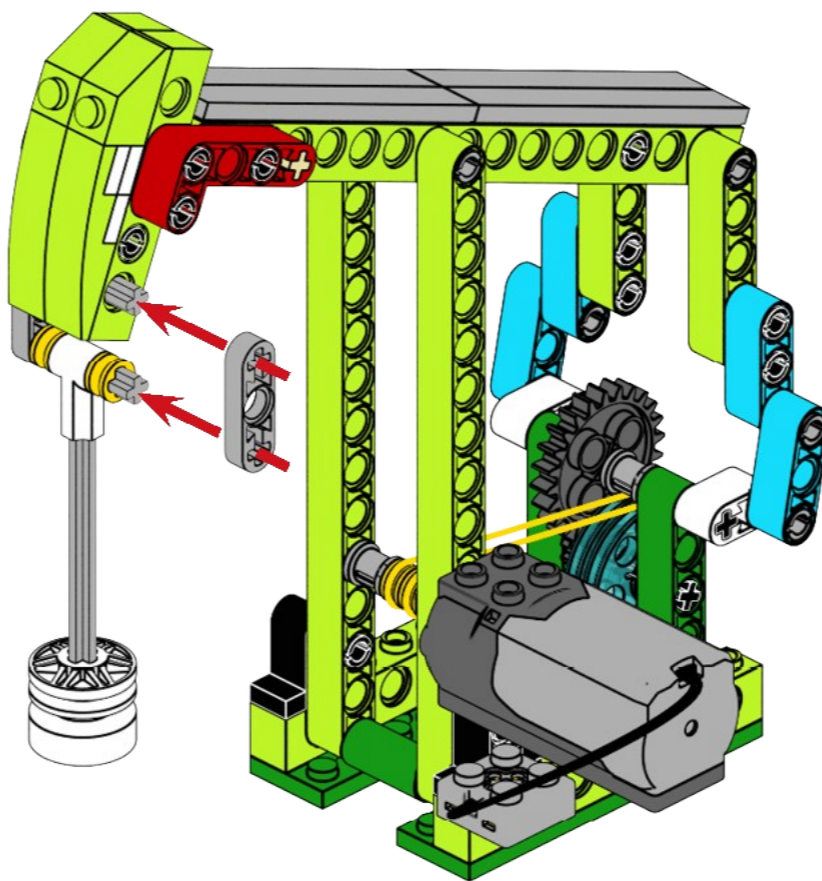




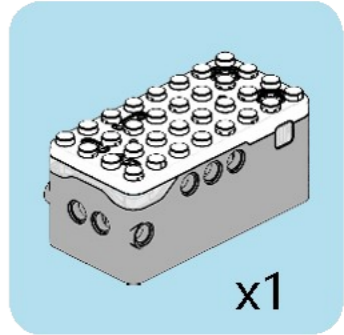
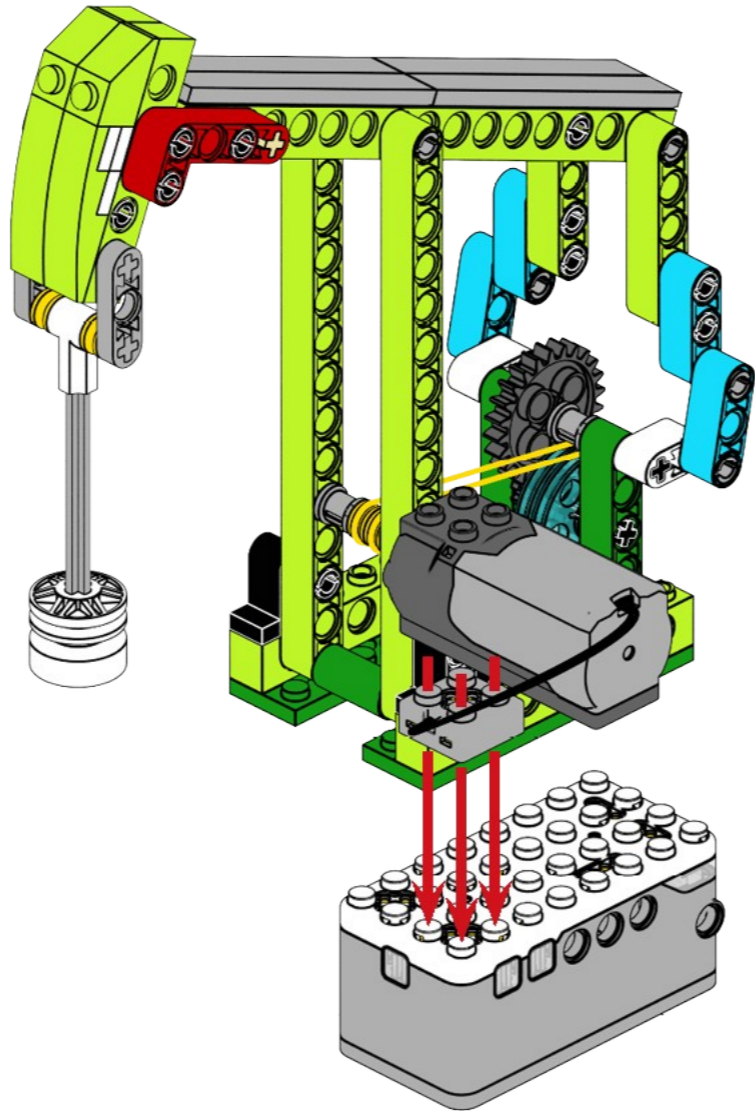


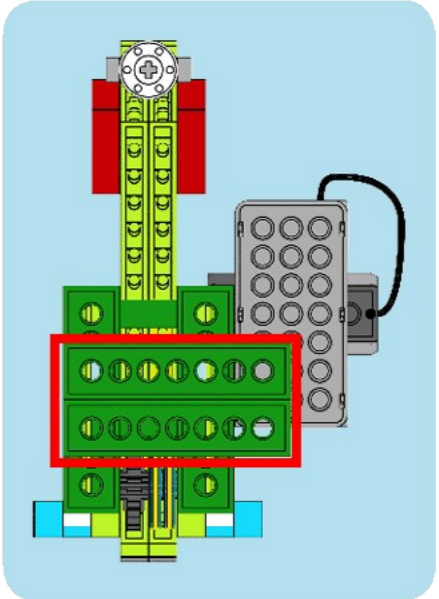
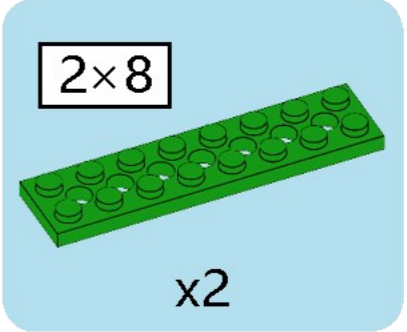
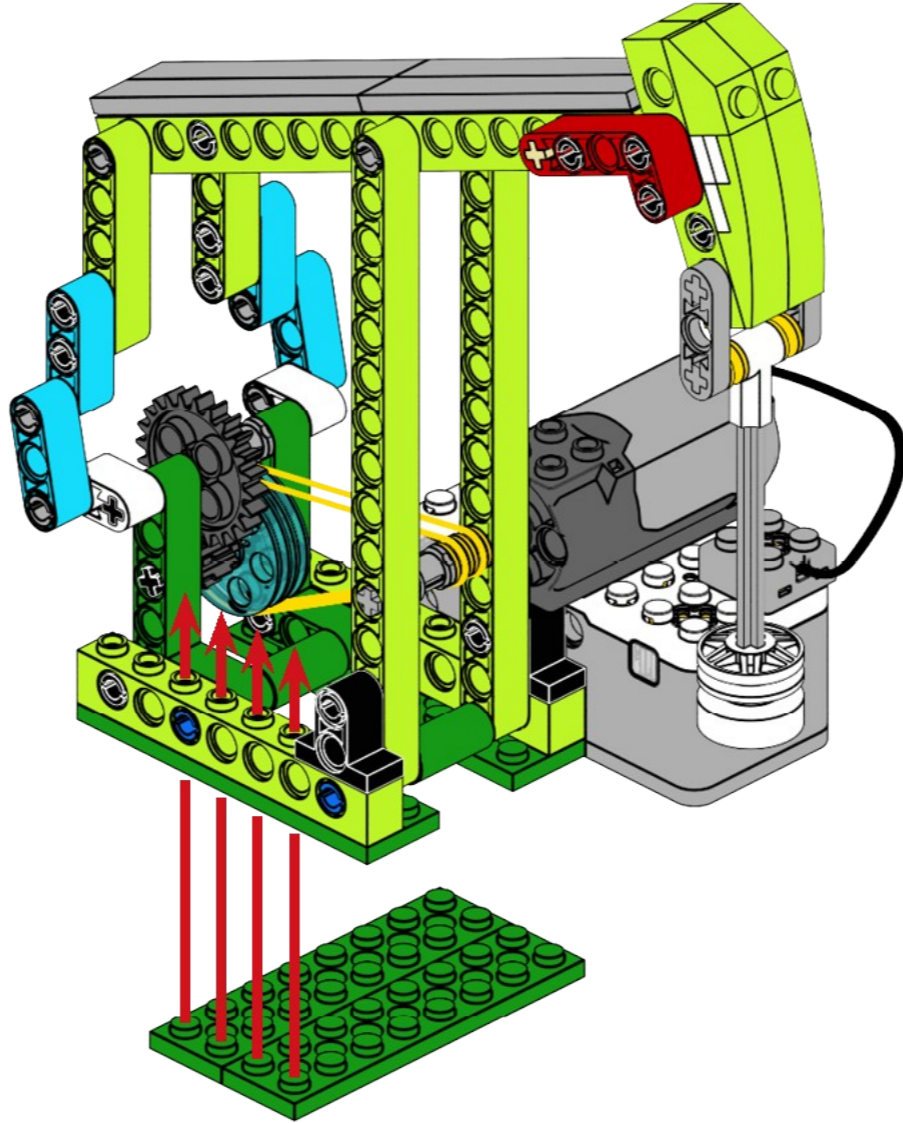


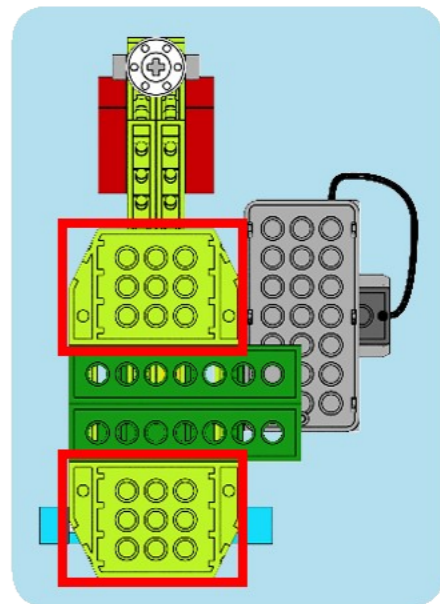
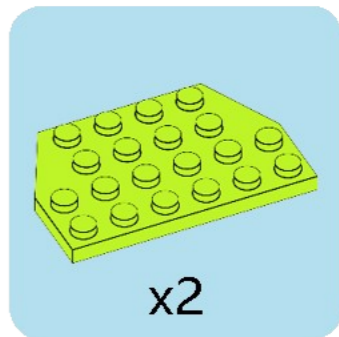
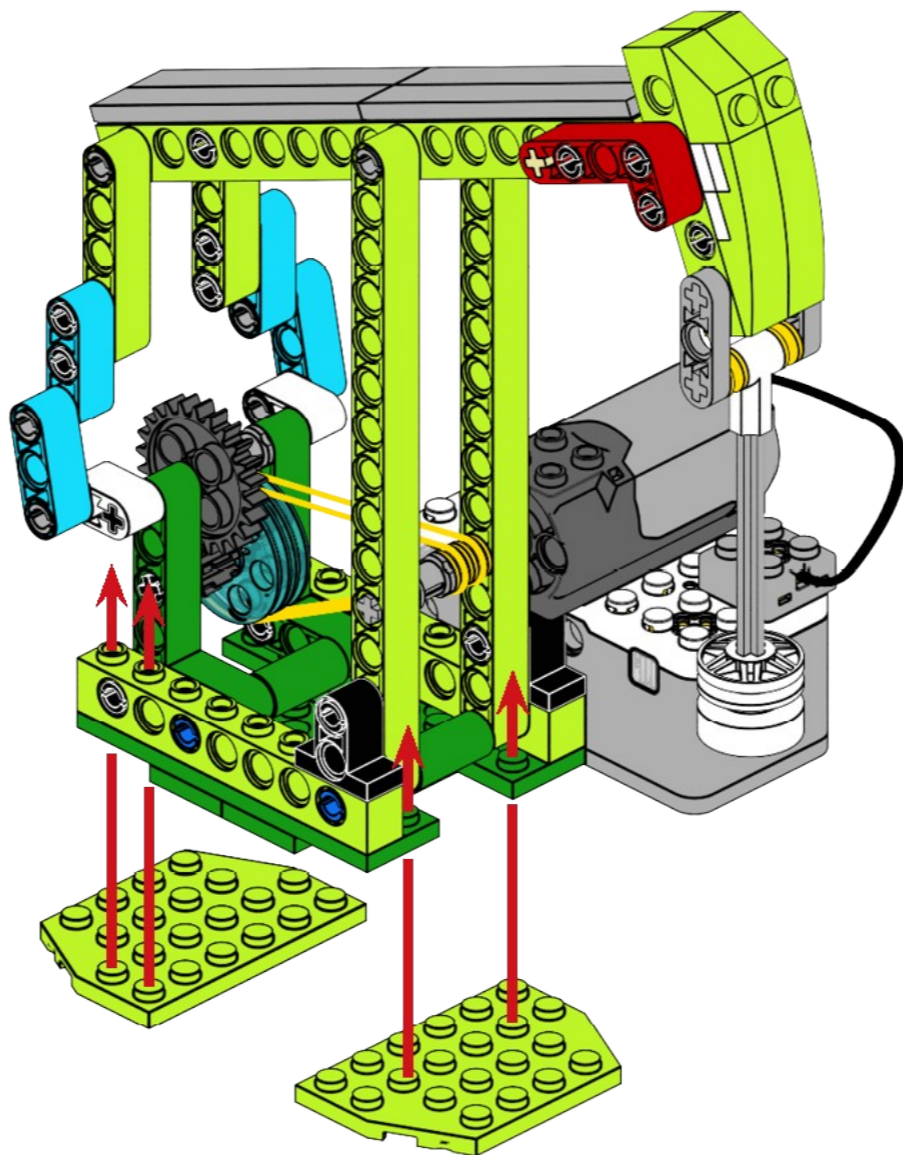


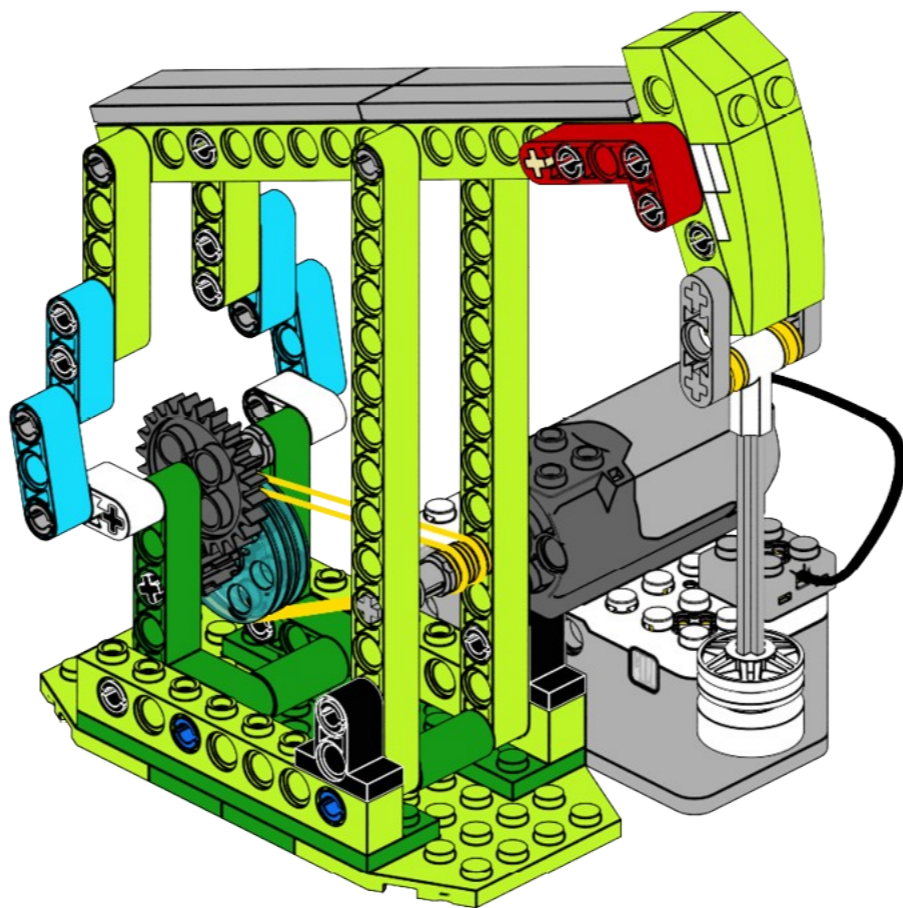


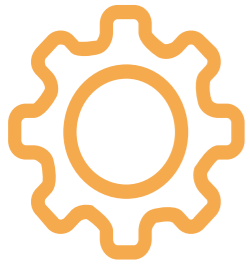
x1



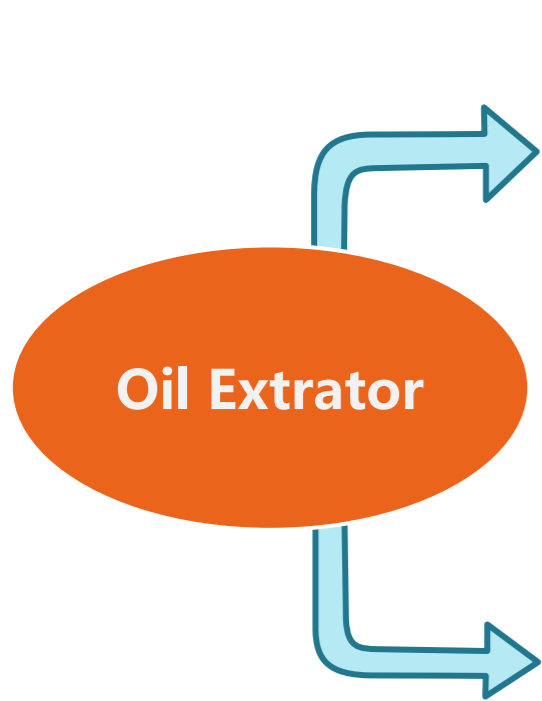








Review



Knowledge Development



What is oil?

What is the use of oil?

How to extract oil

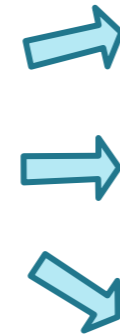


Gas, liquid and solid hydrocarbon mixtures

The refined gasoline, diesel, kerosene and heavy oil are used to operate mechanical tools.

By means of pressure

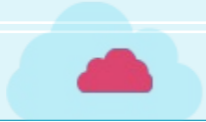
Basic Transmission



Belt reduction

Gear reduction

Crank rocker mechanism



Talk





THANKS

