

Logic

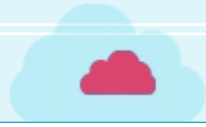
Space



Coding



Focus



Classroom Discipline

01

Please sit down and keep quiet in class.

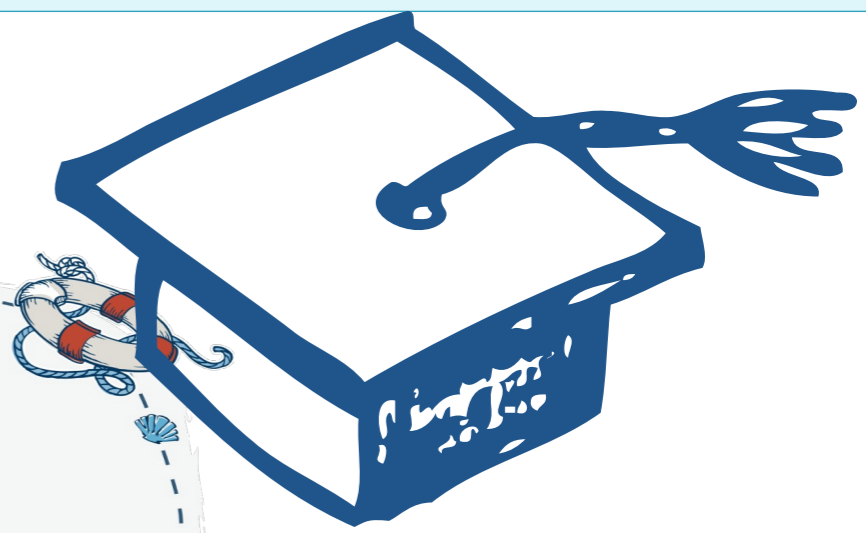
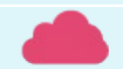
02

Please raise your hand if you have any questions

03

Please observe carefully when the pictures are played.



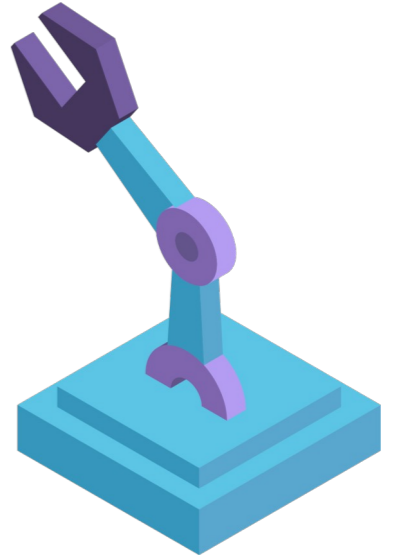


The Crawling Worm

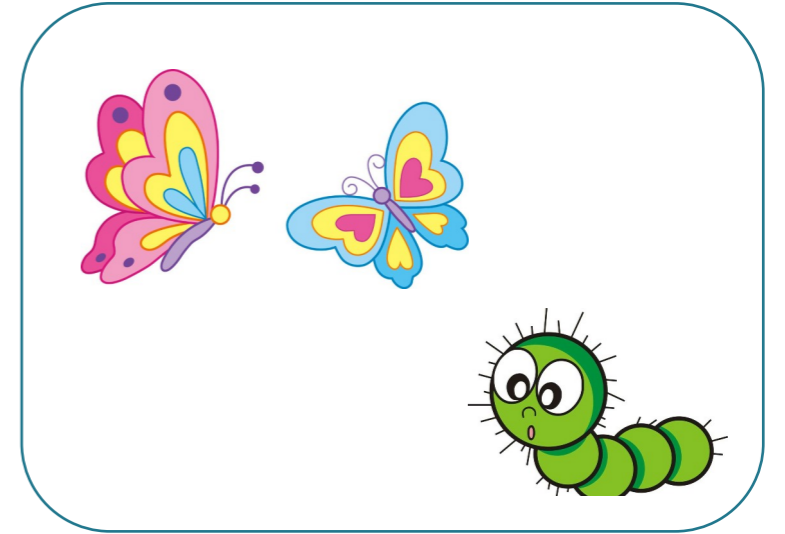
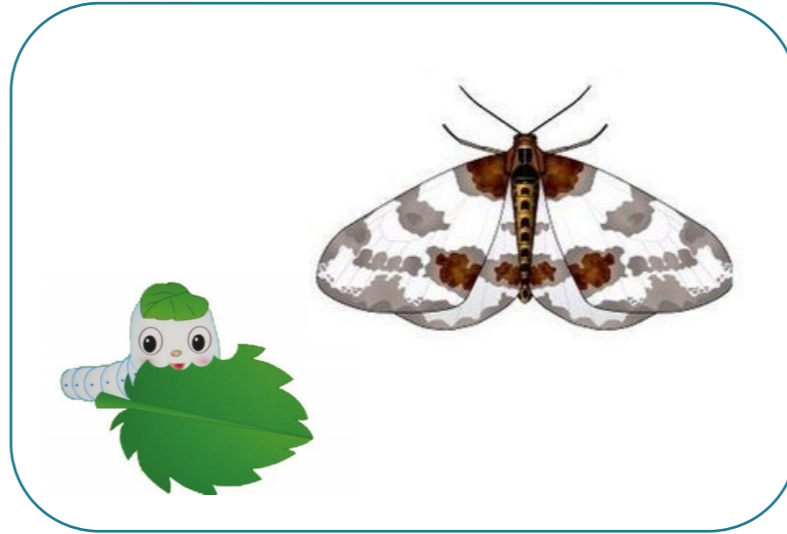
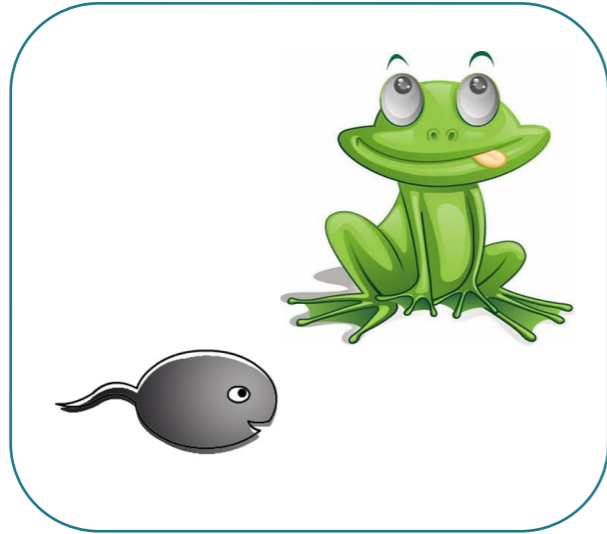




Think

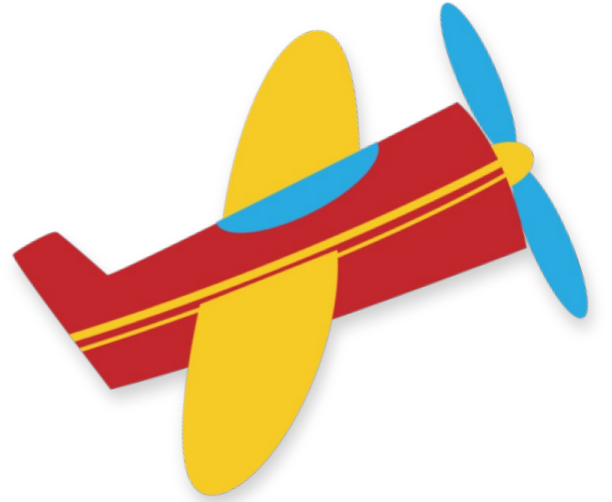


1. What animal looks one way when it is young, but becomes something else when it grows up?





Explore



1. Kids, how do caterpillars walk?

2. Have you ever seen this kind of worm?

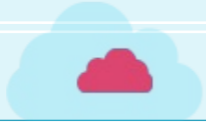


Worm

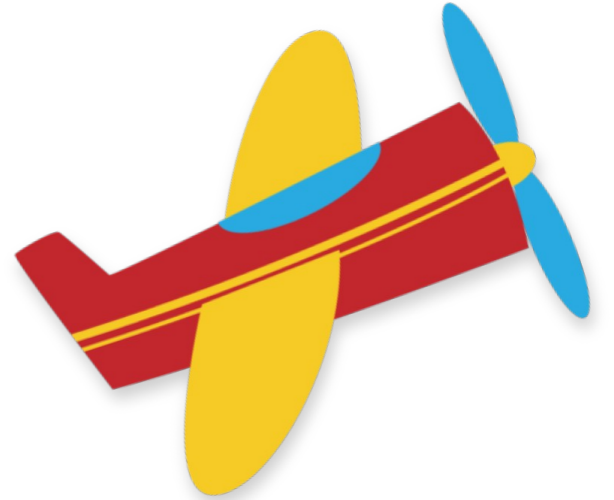


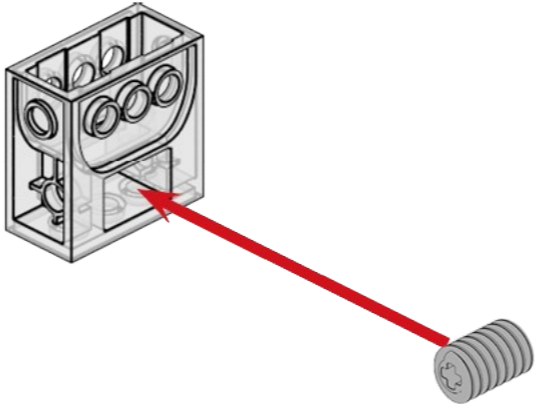
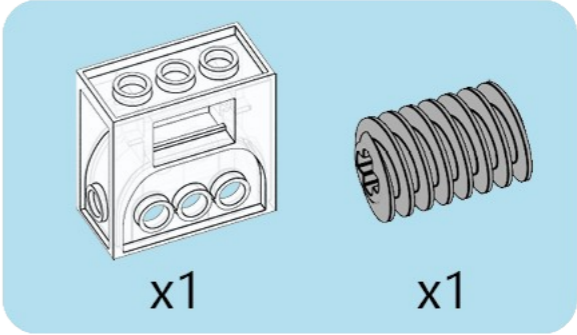
Worm

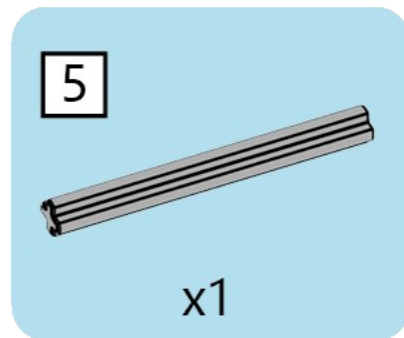
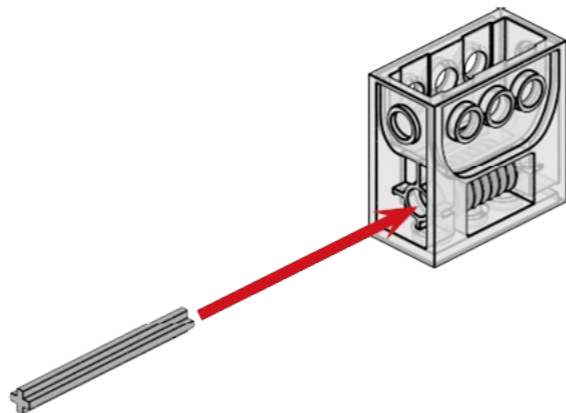
The **inchworm** has a long, narrow body and moves by bending and stretching like a tiny arch bridge. As an invertebrate, it can only move forward and must turn its head if it wants to change direction. Similarly, in machinery, there's a structure that allows movement in only **one direction** — it's called a **ratchet and pawl mechanism**.

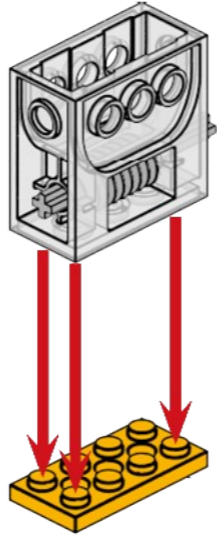
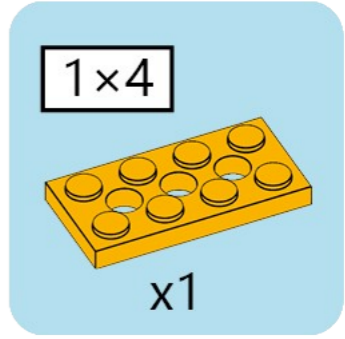


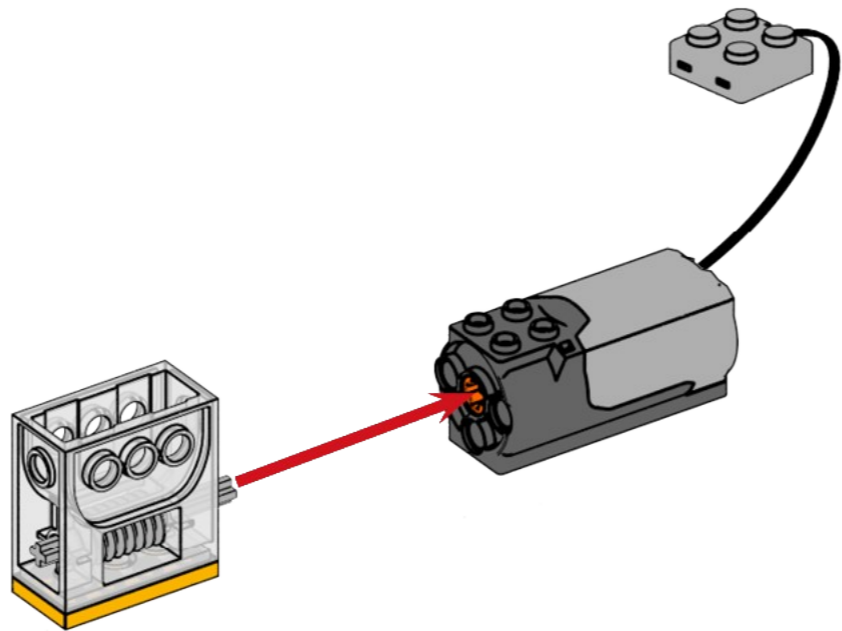
Build

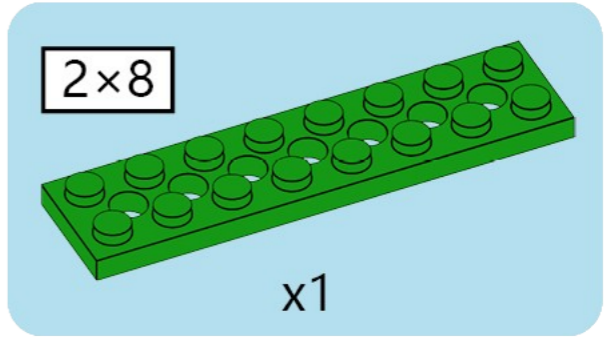
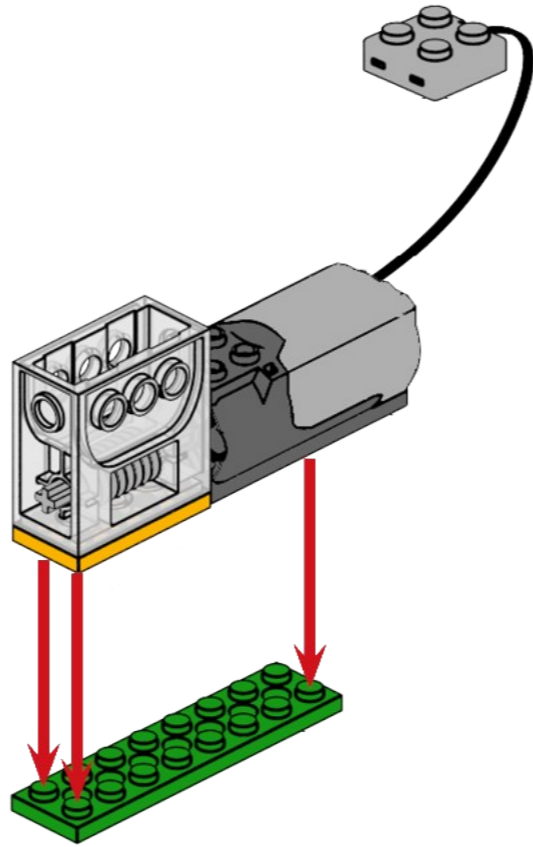


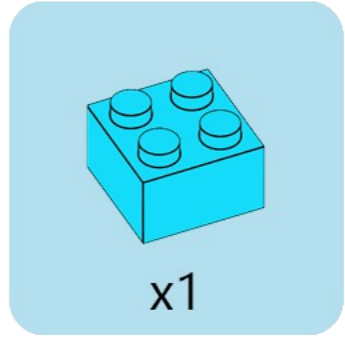
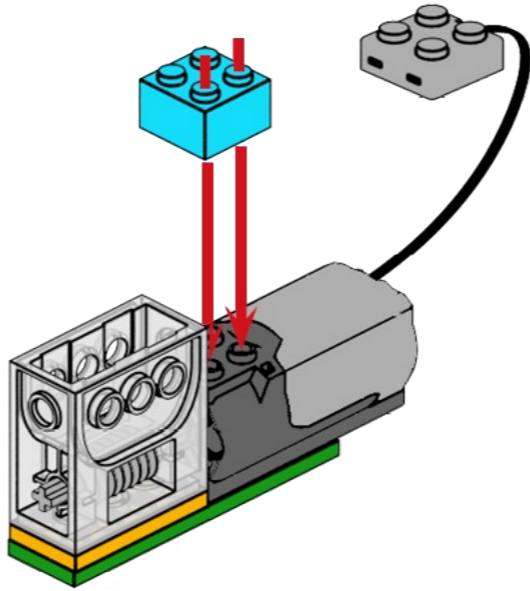


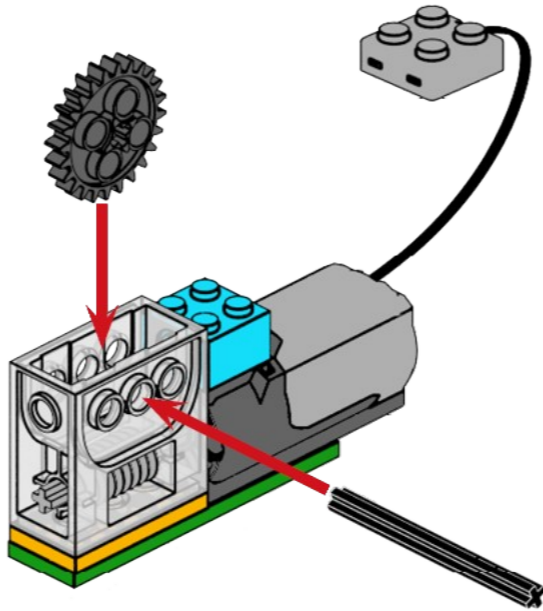









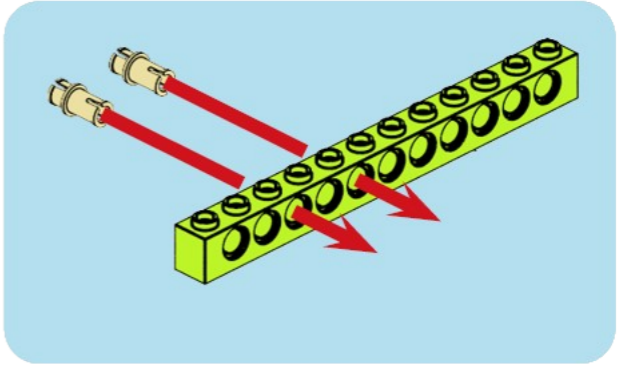
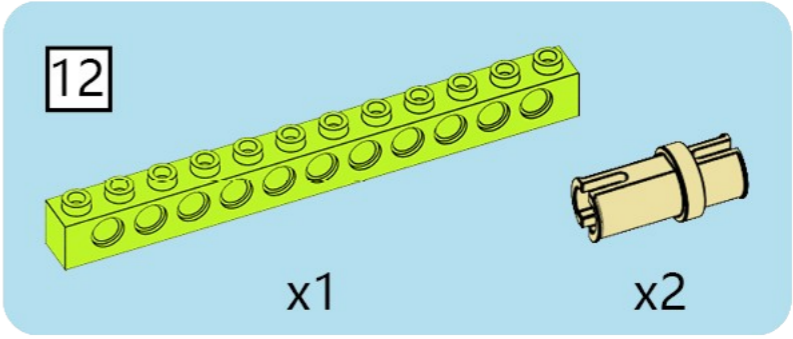
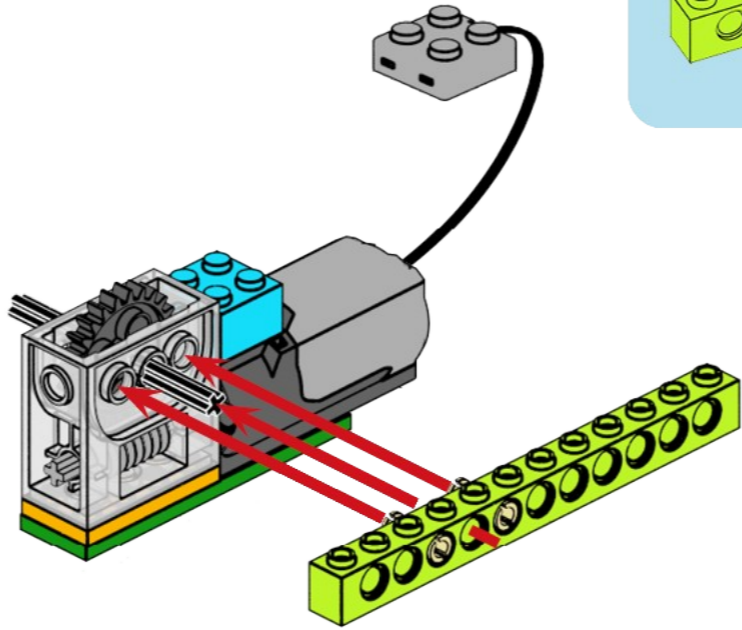


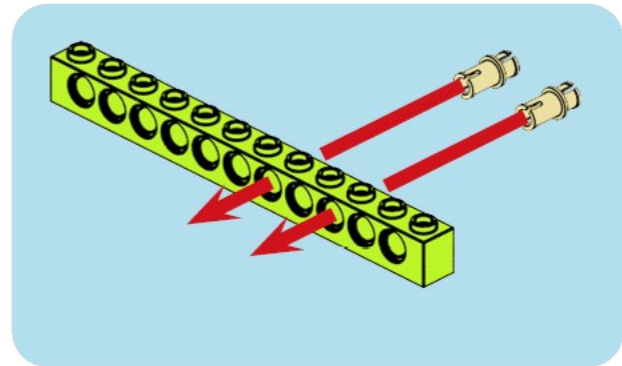
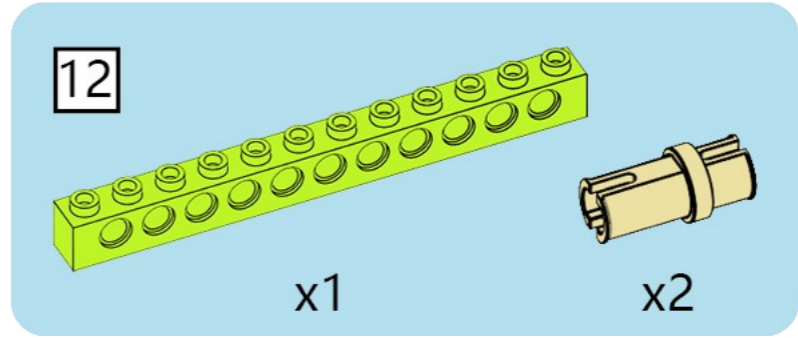
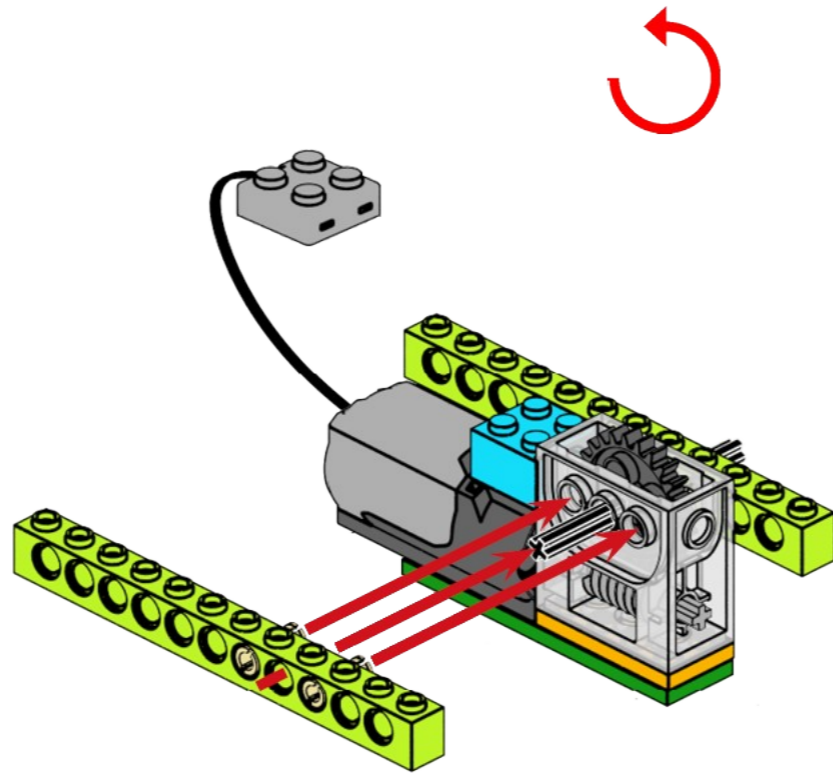


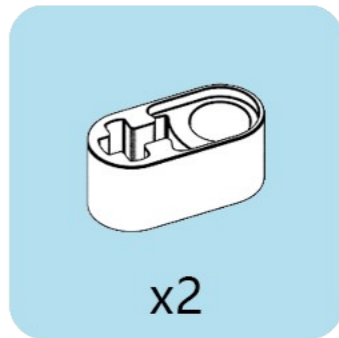
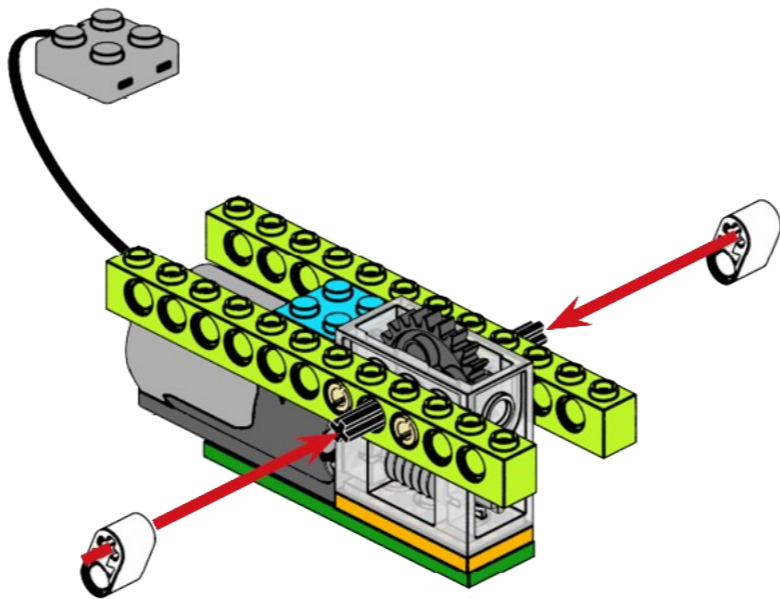
6

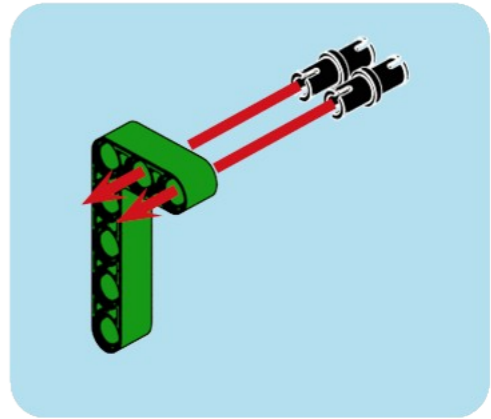
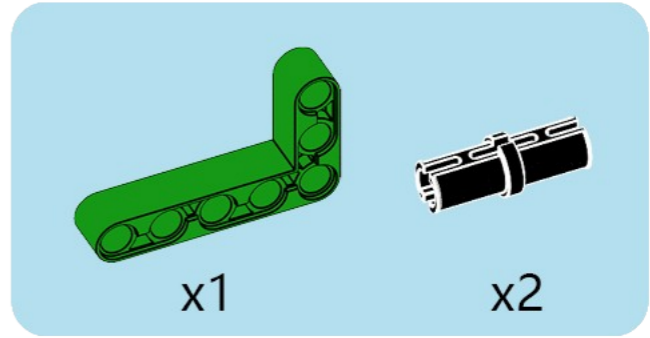
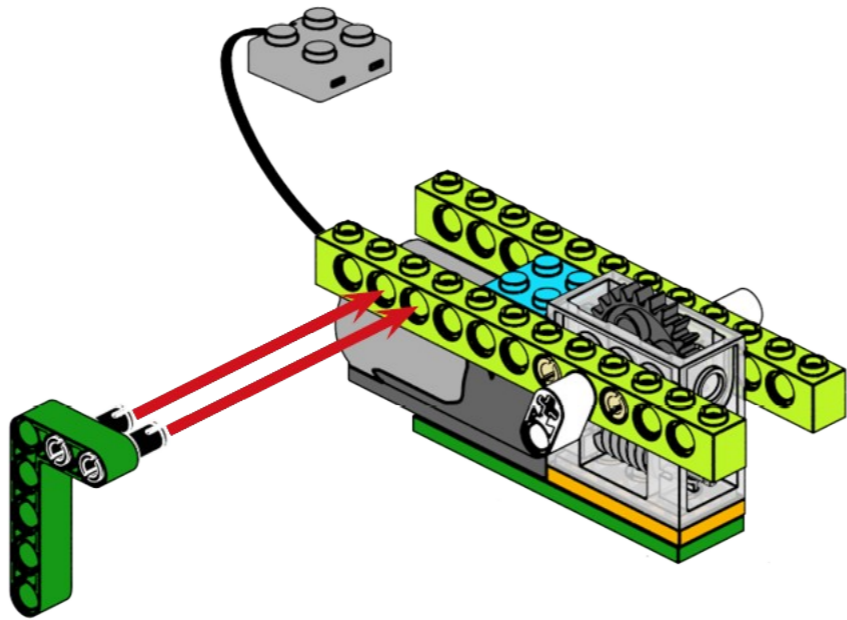


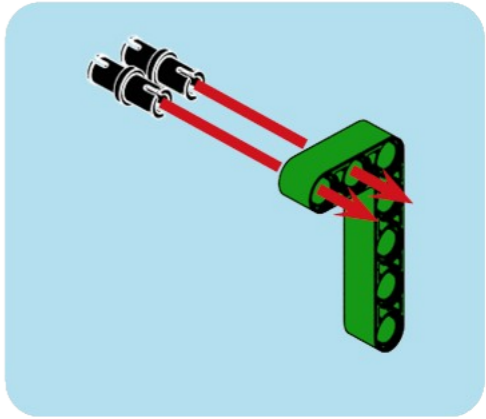
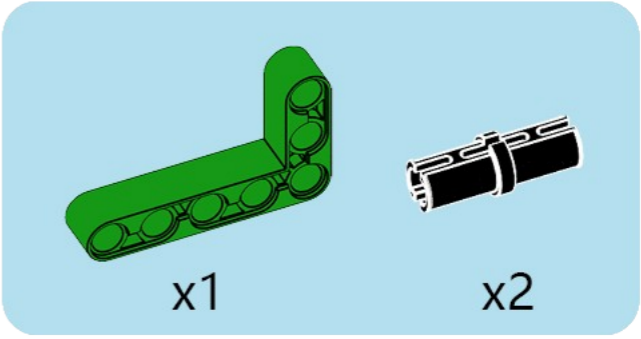
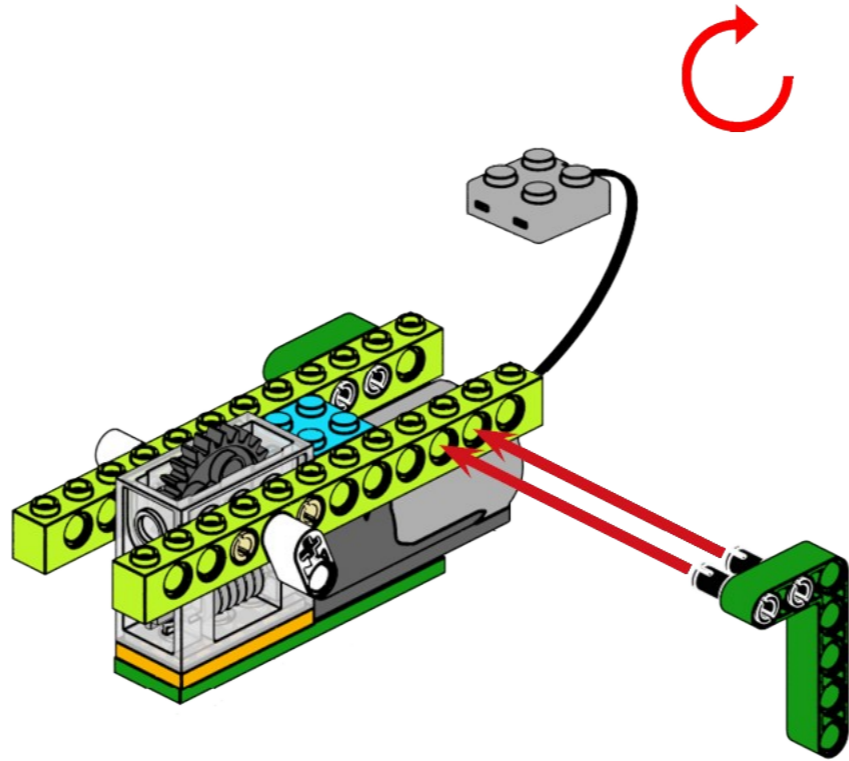
x1 x1

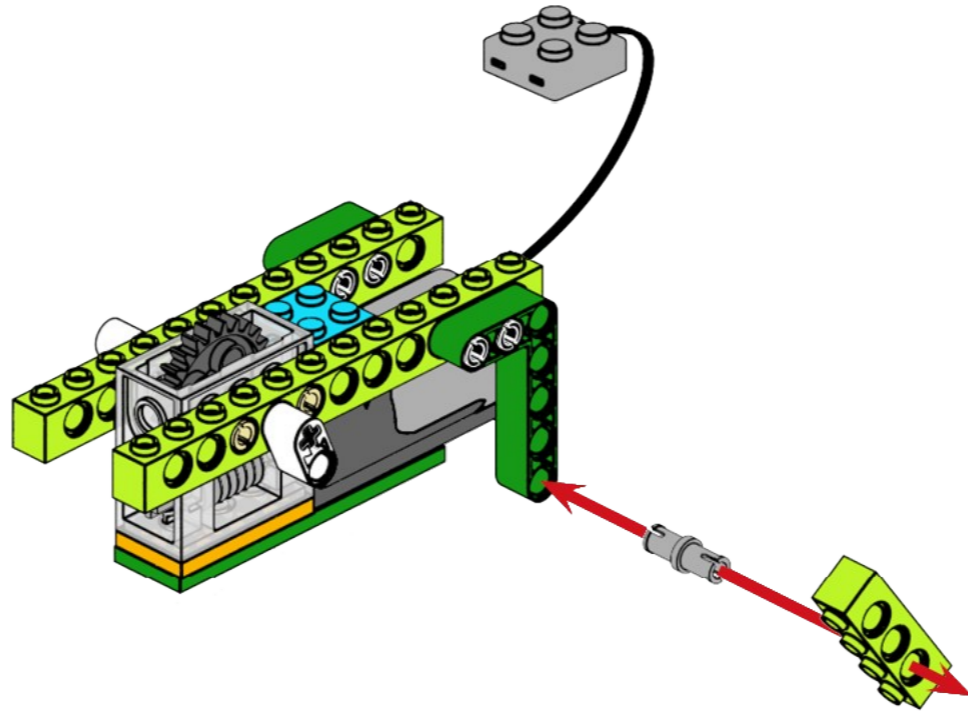




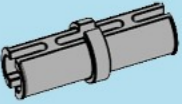
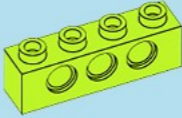




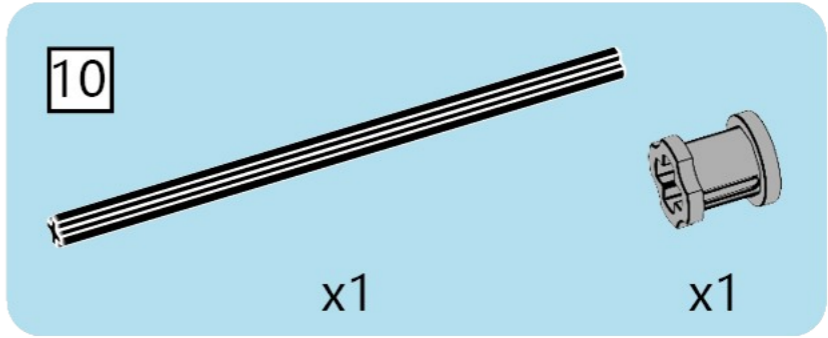


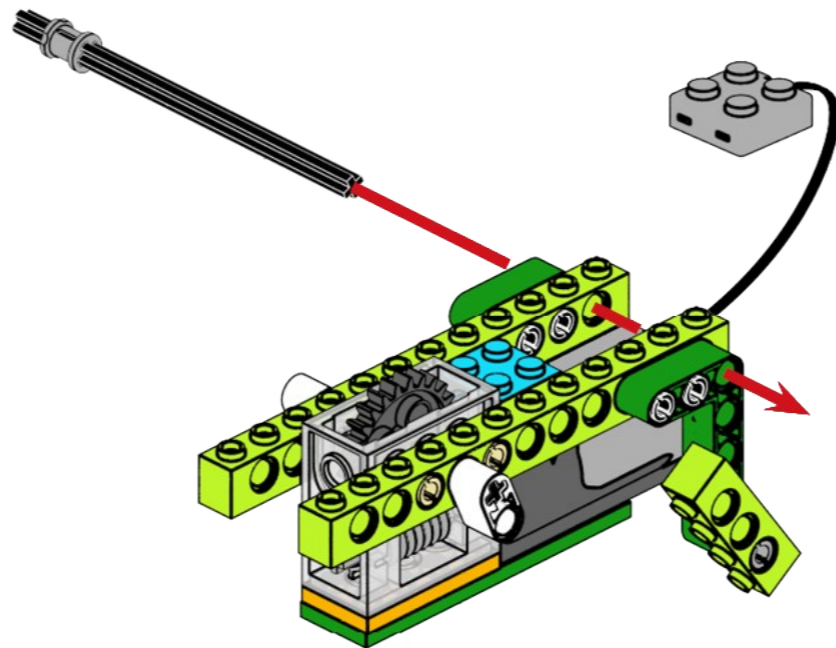


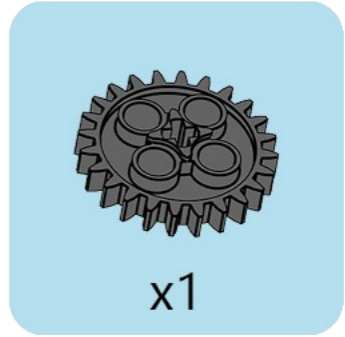
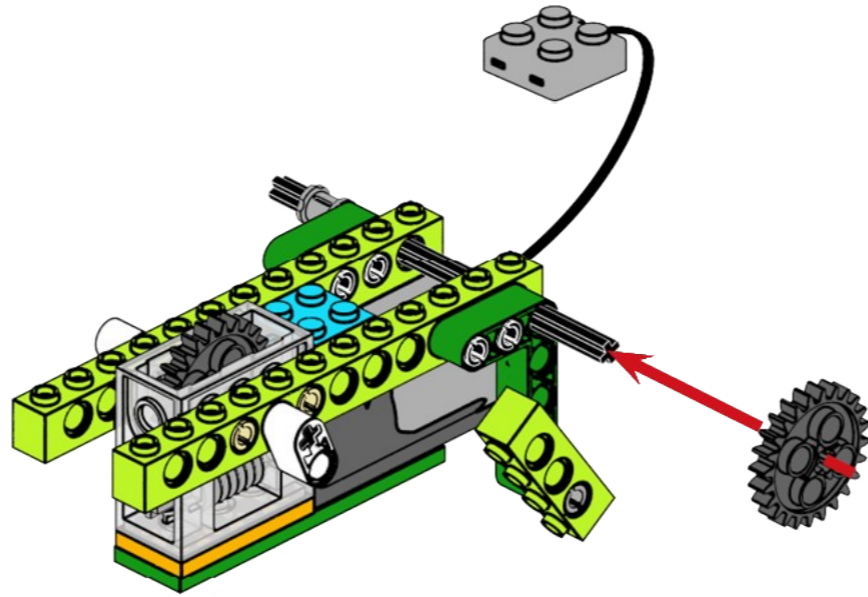
4

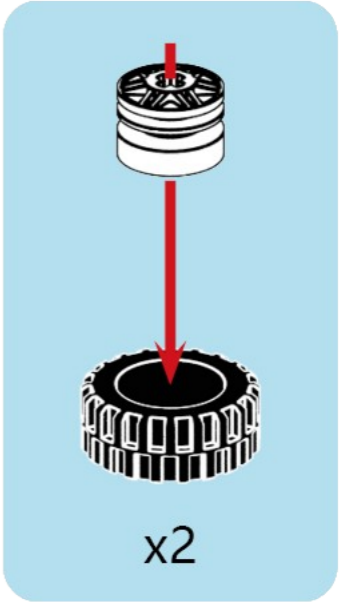
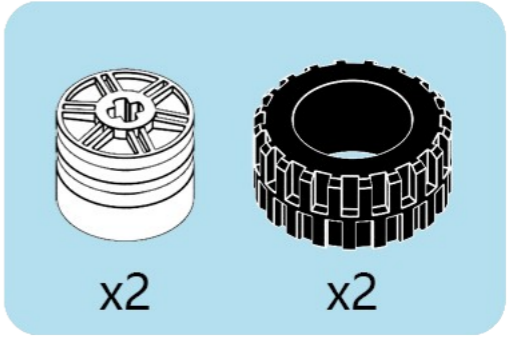
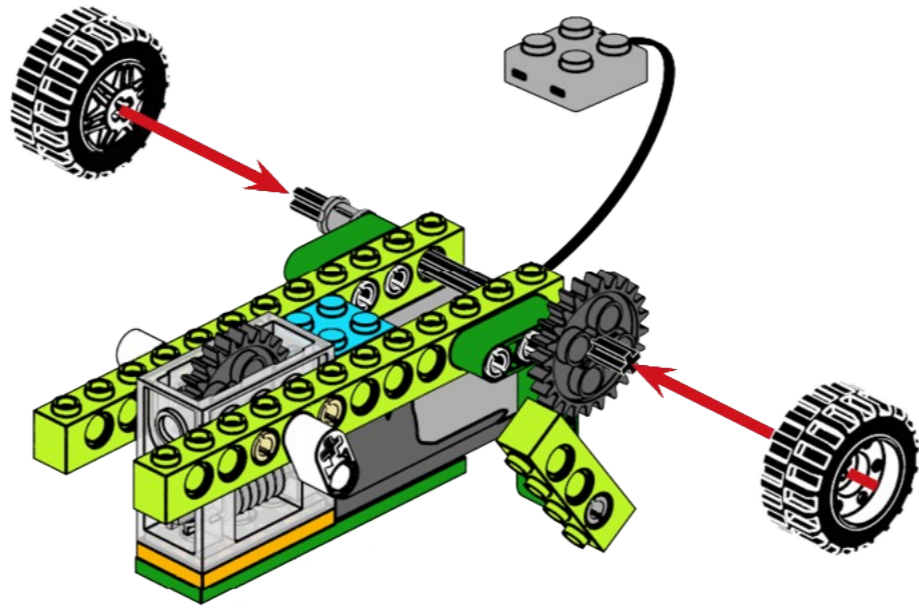


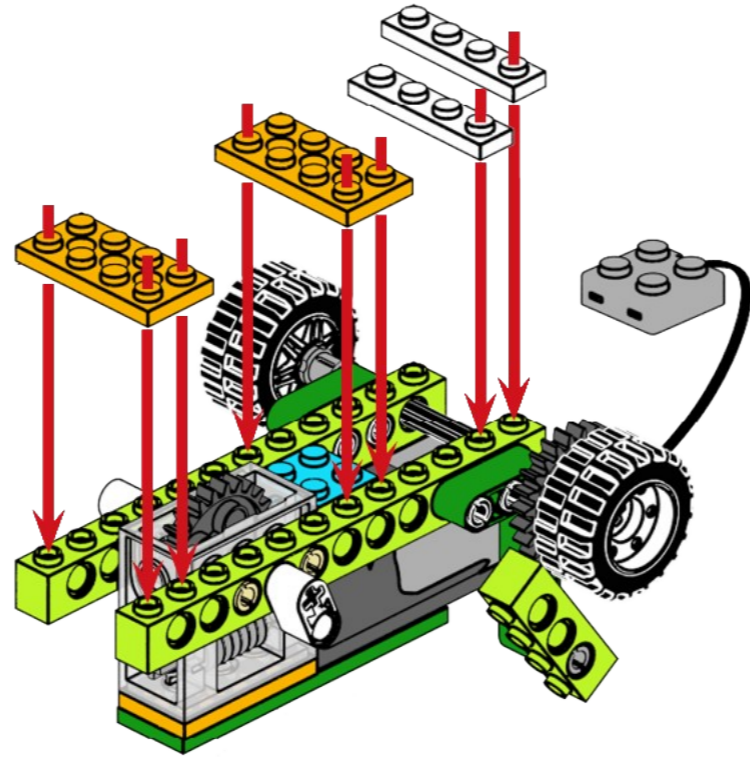
x1 x1



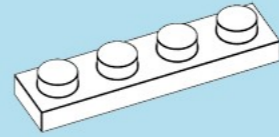






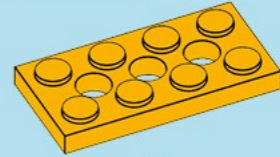


1x4

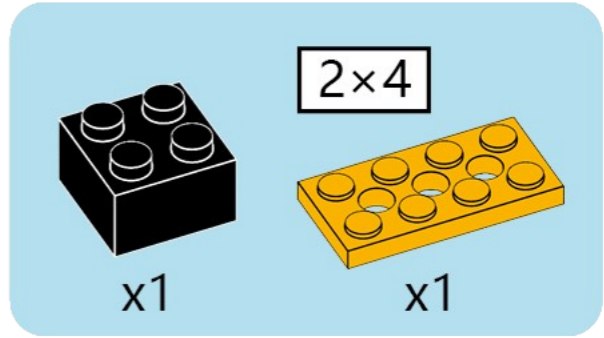
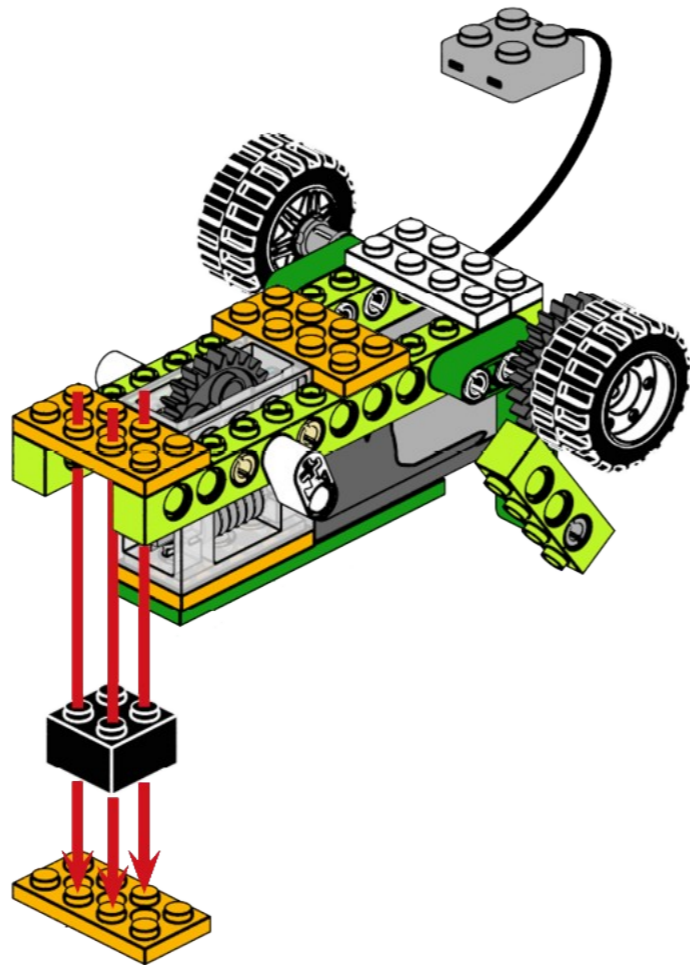


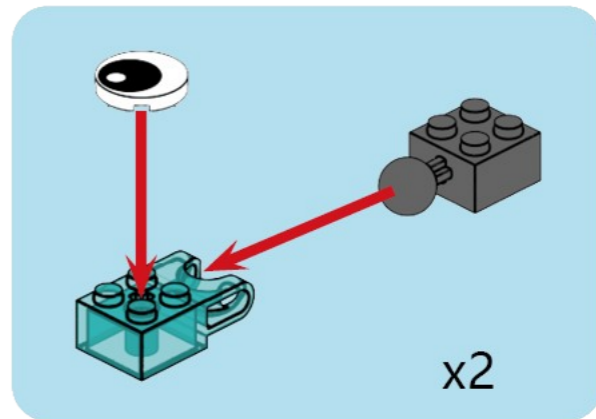
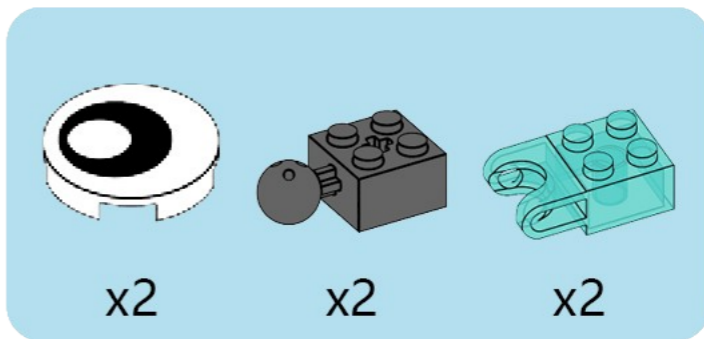
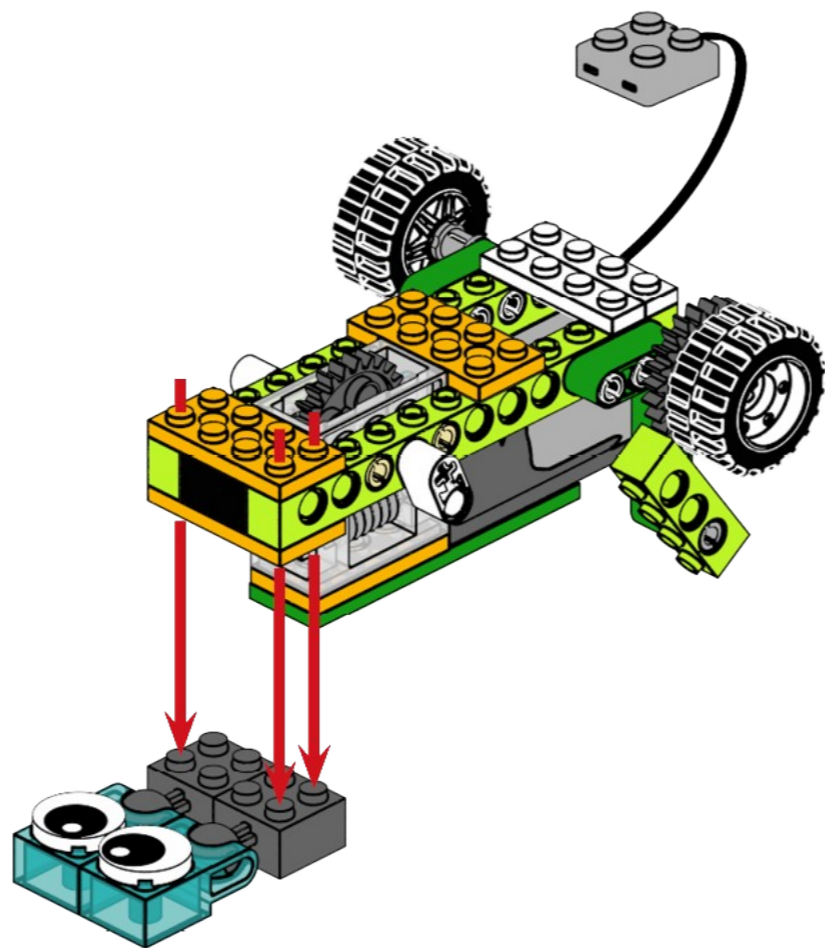
x2

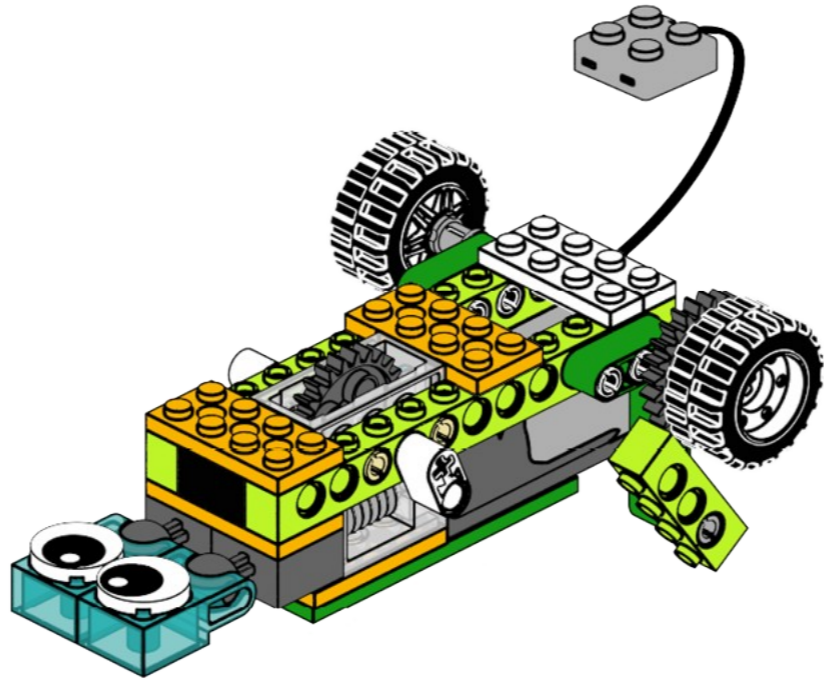
2x4

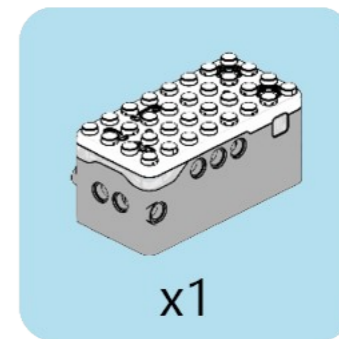
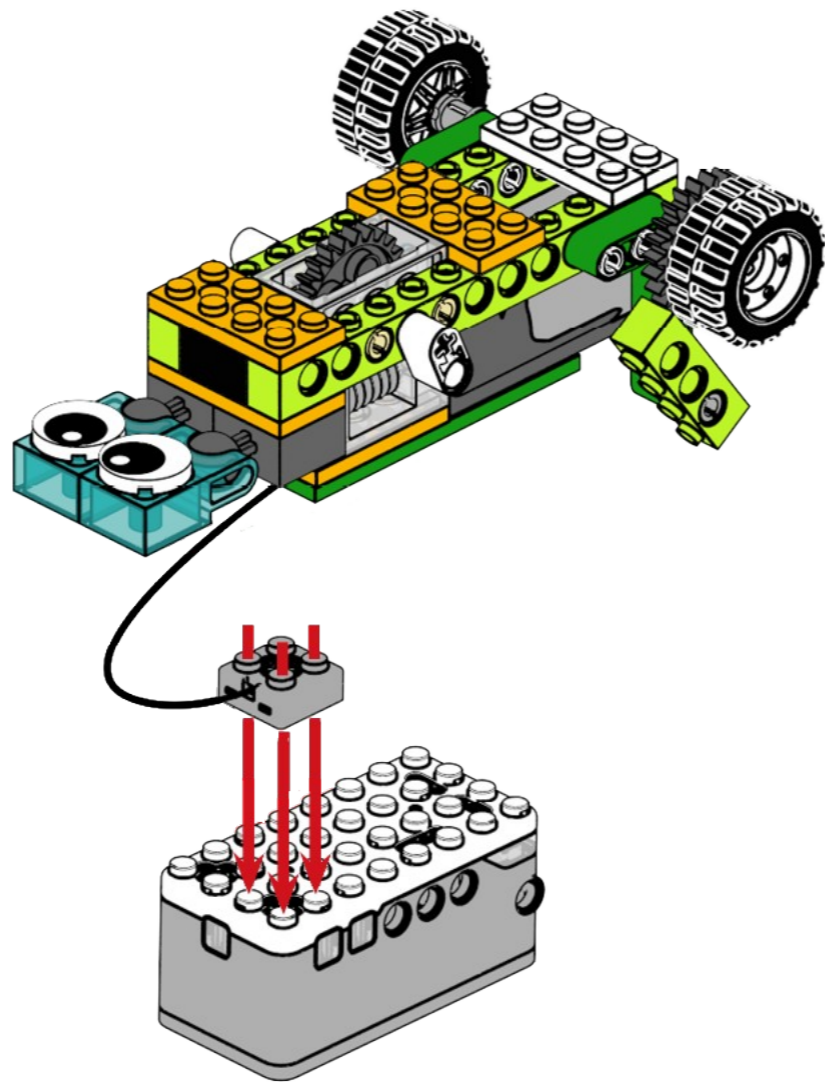


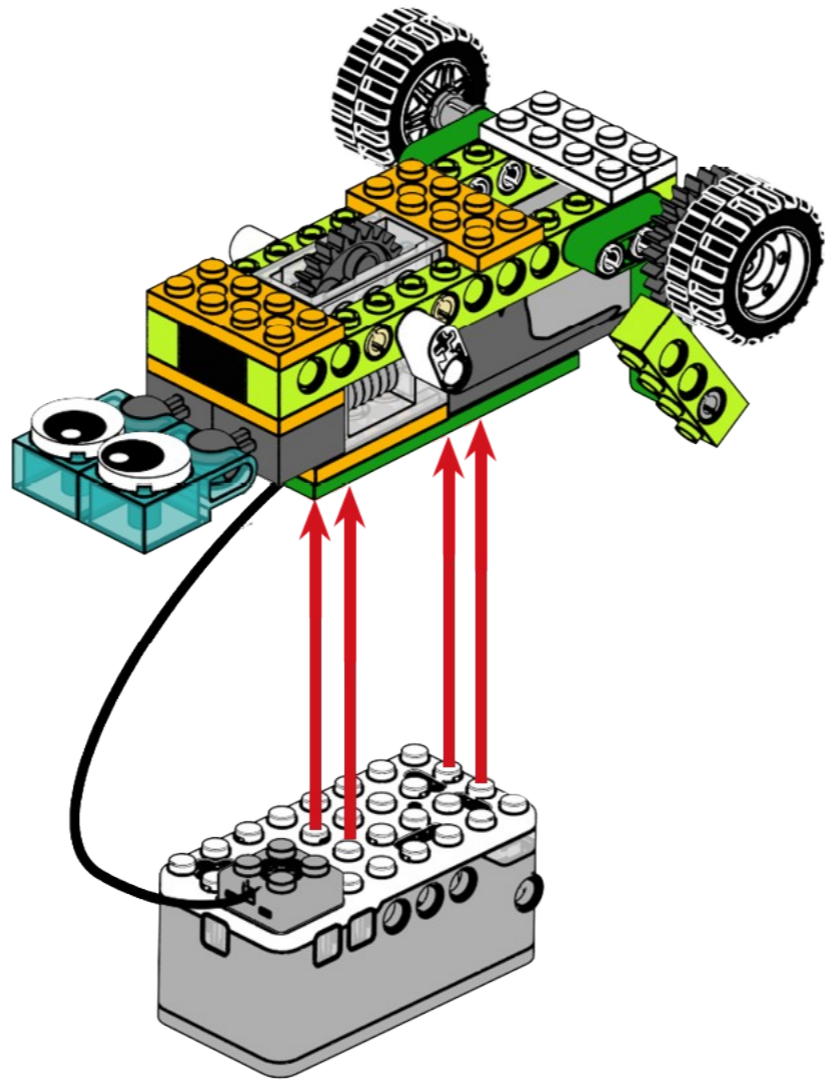
x2

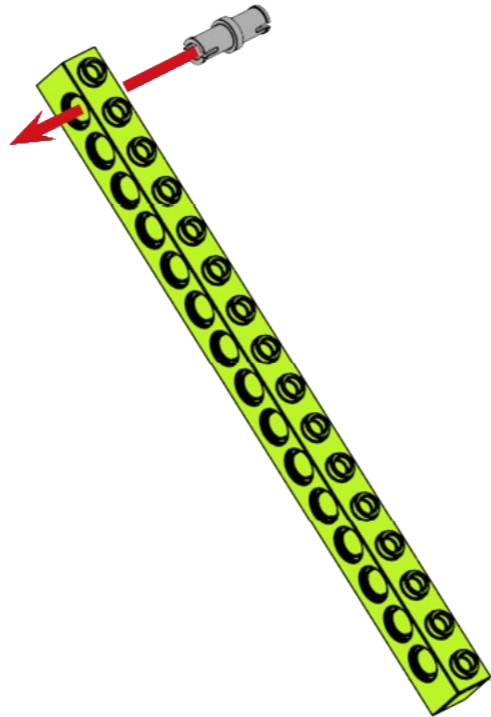




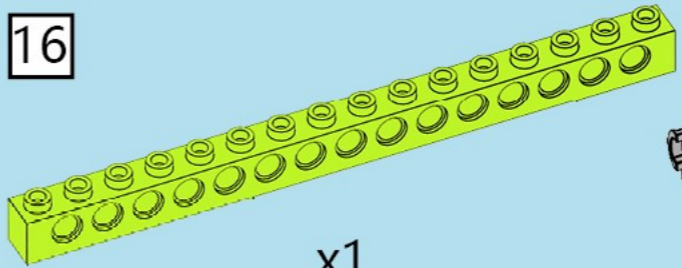






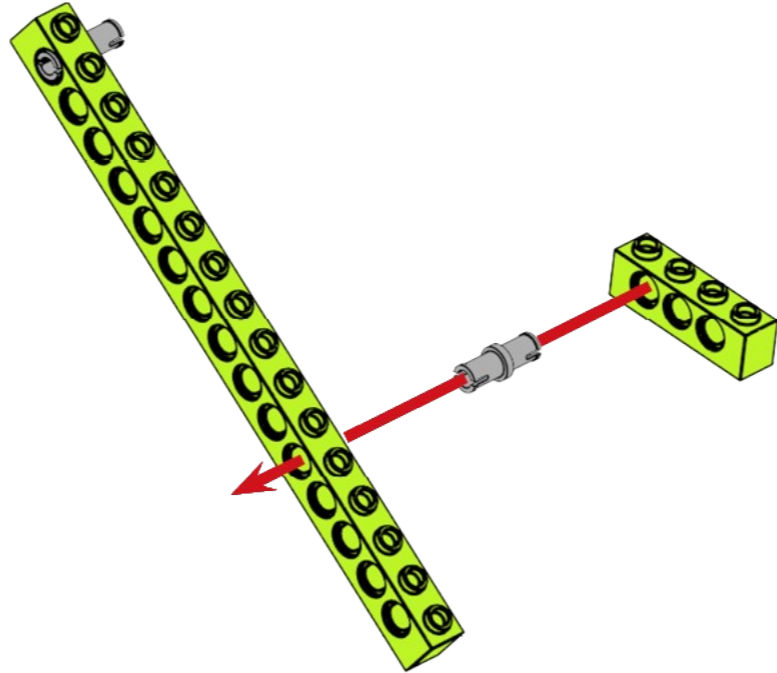


16

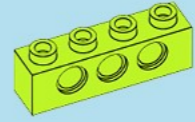


x1

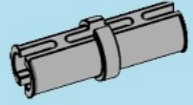
x1



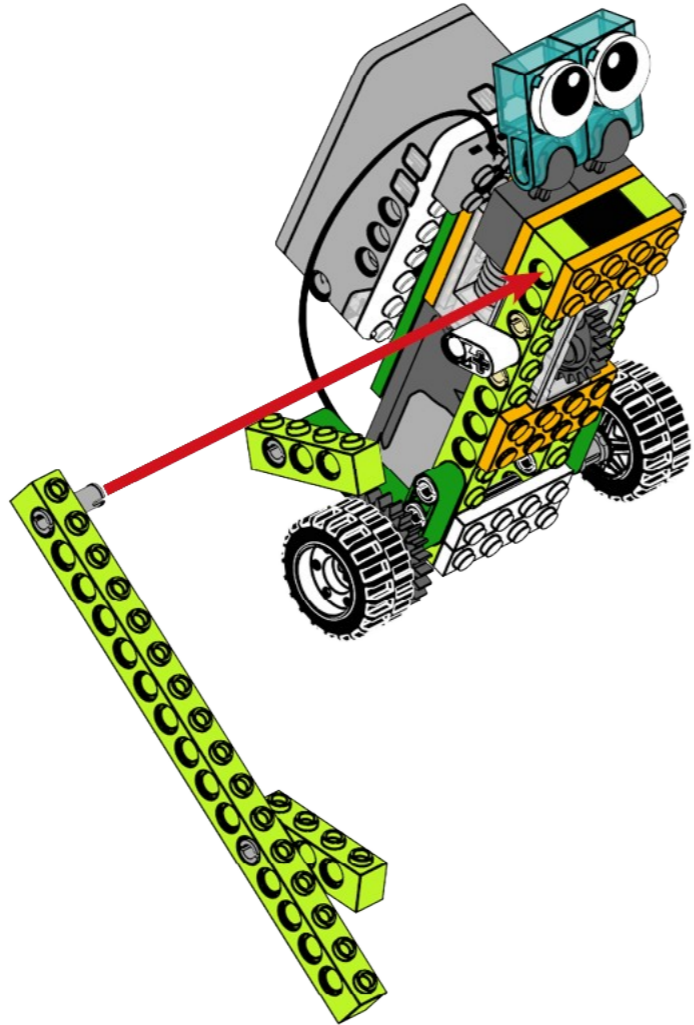
4

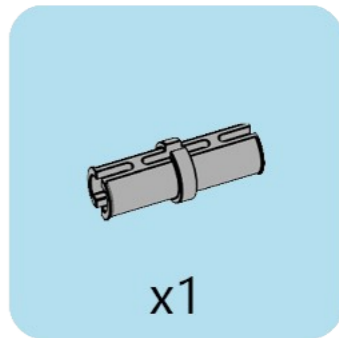
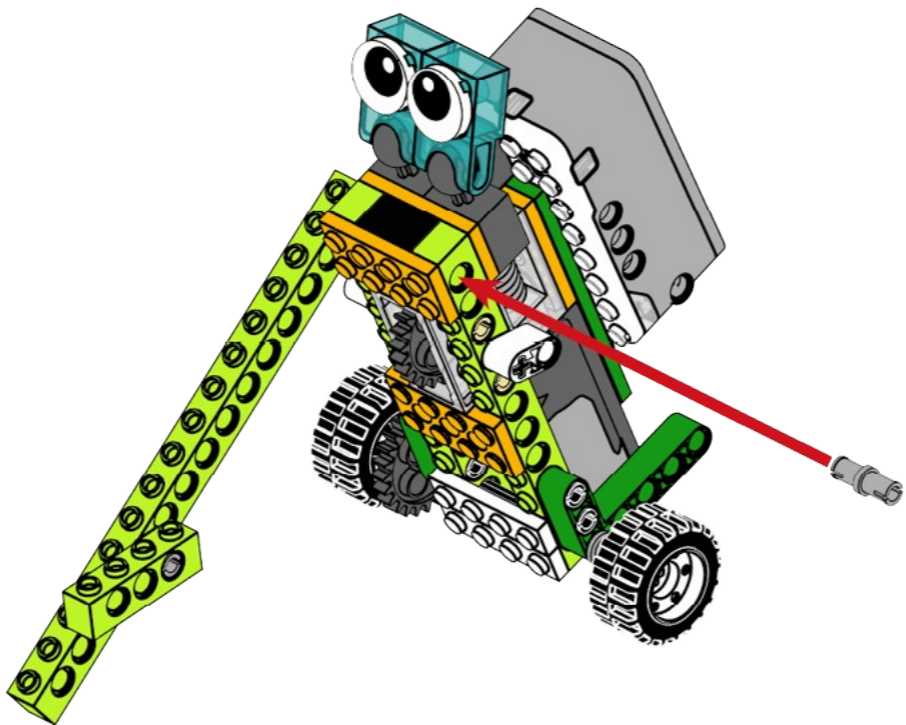


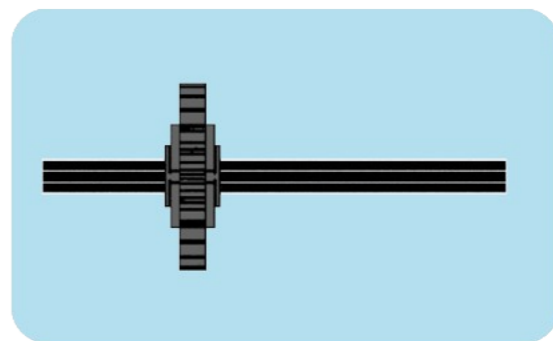
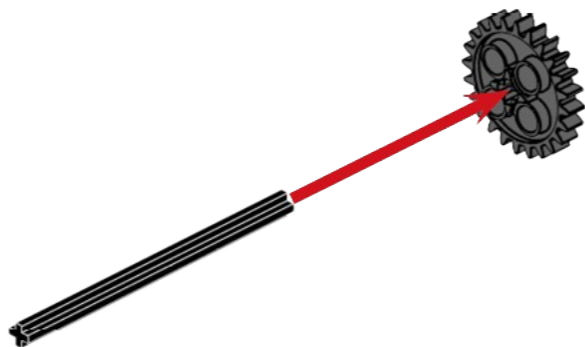
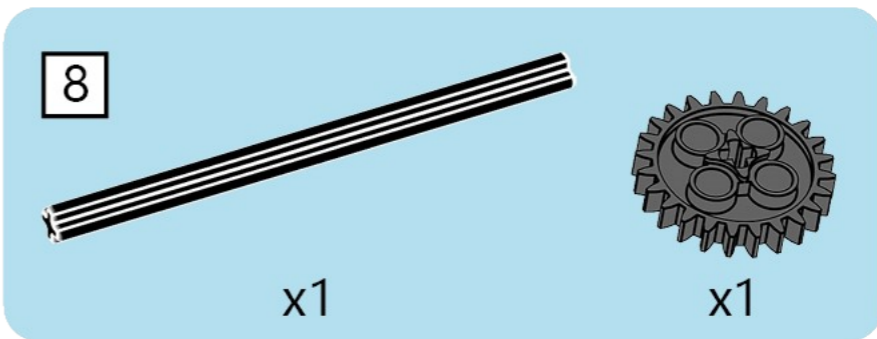
x1

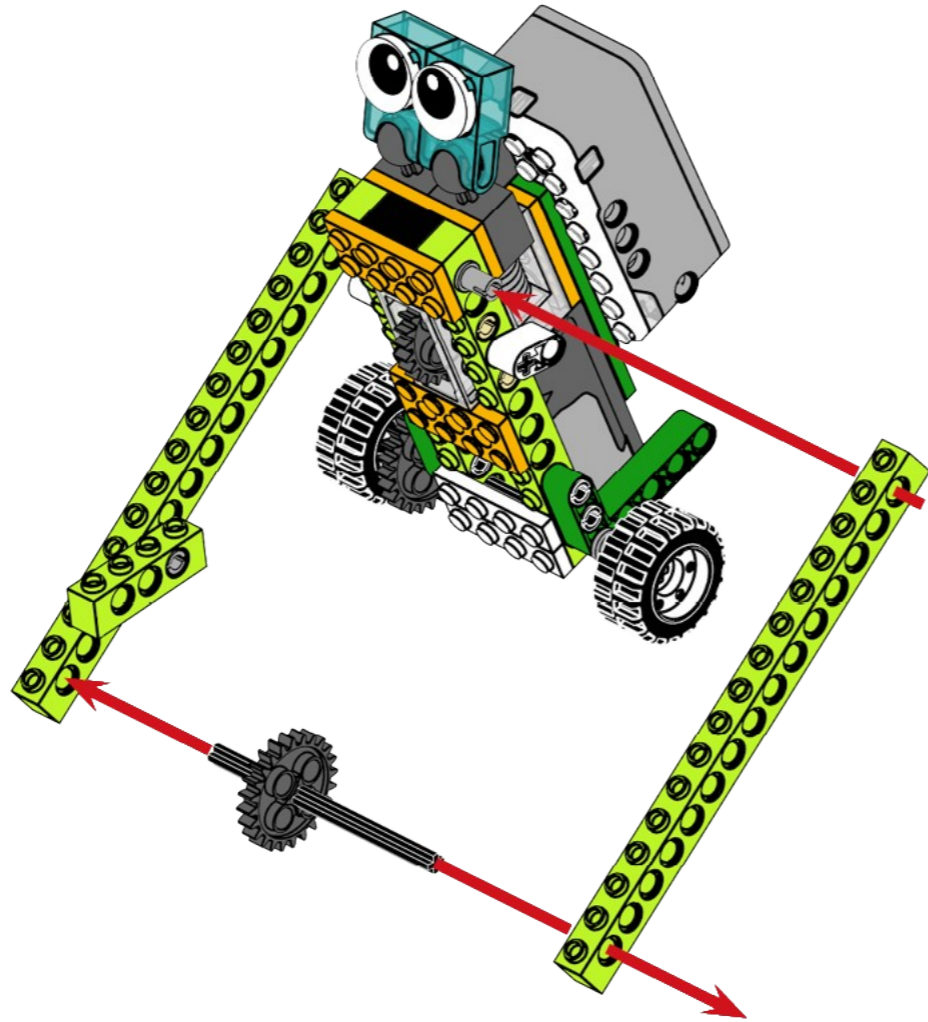


x1

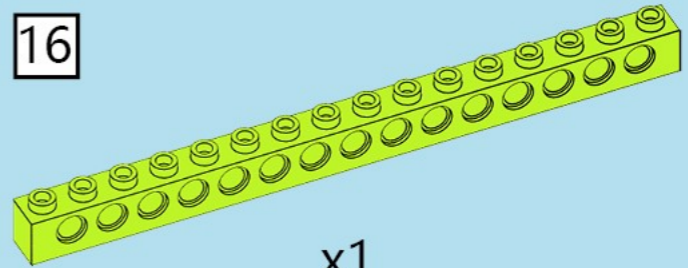




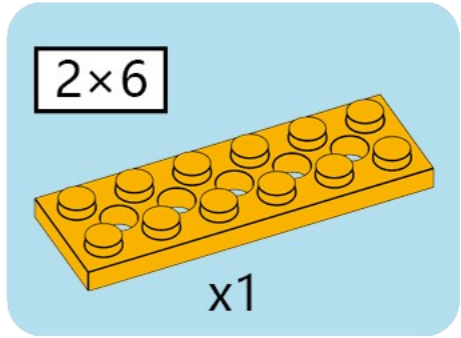
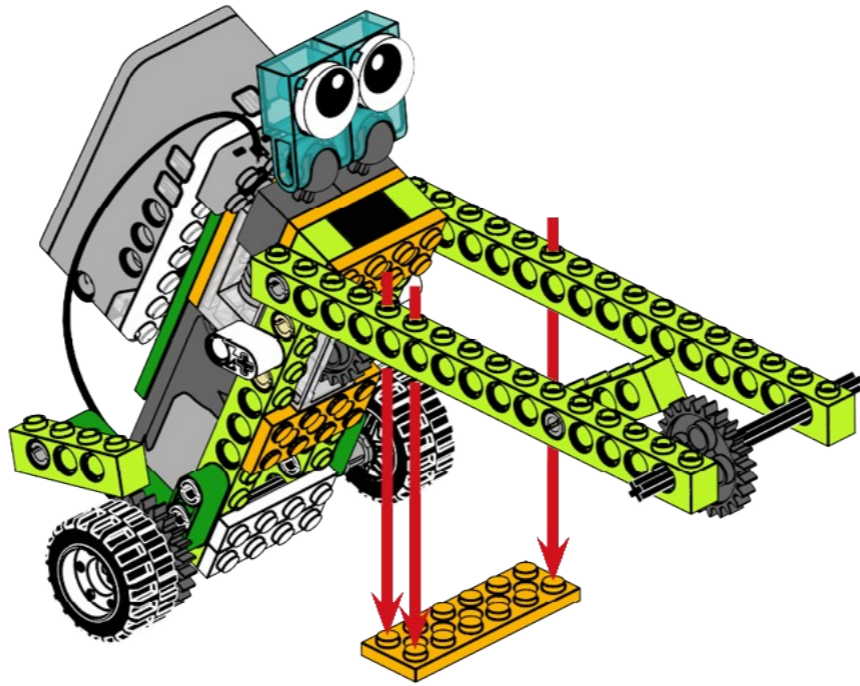


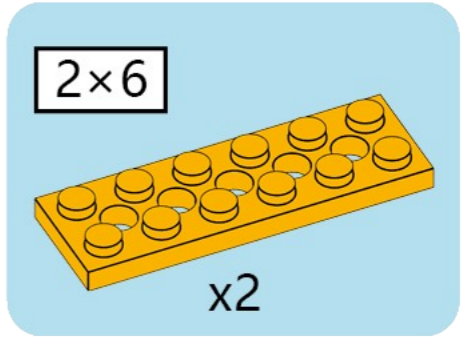
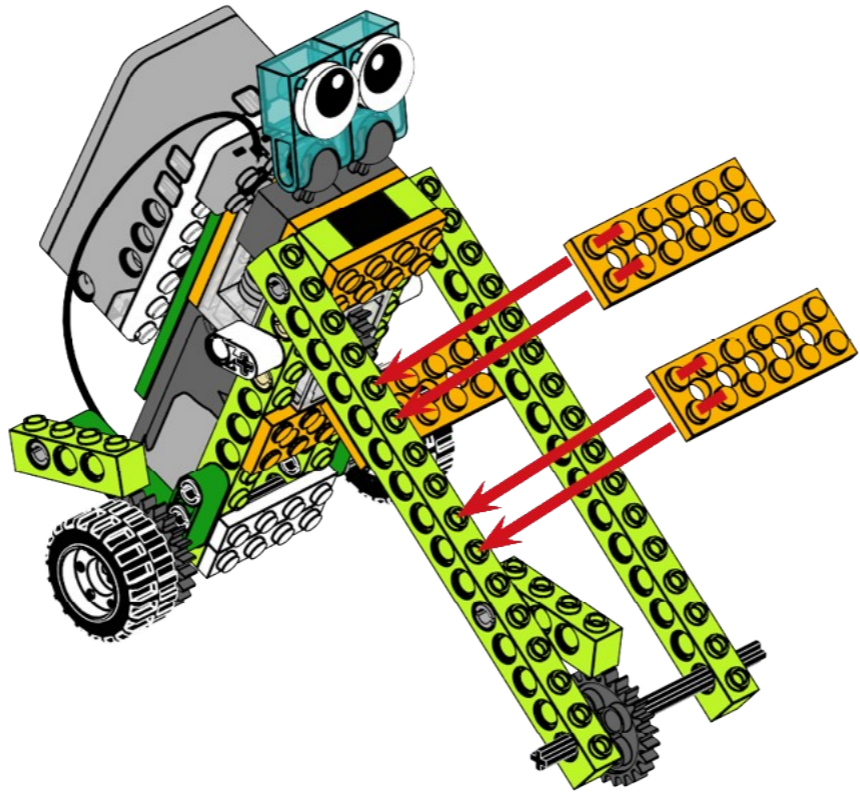


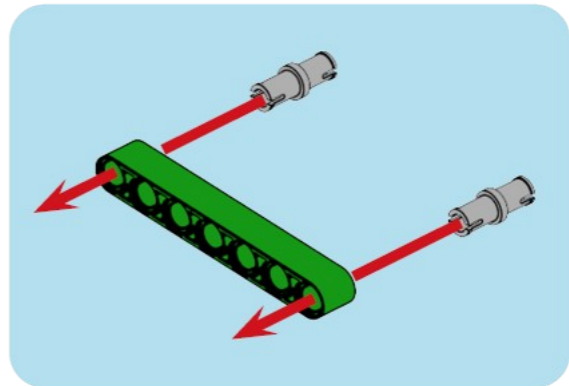
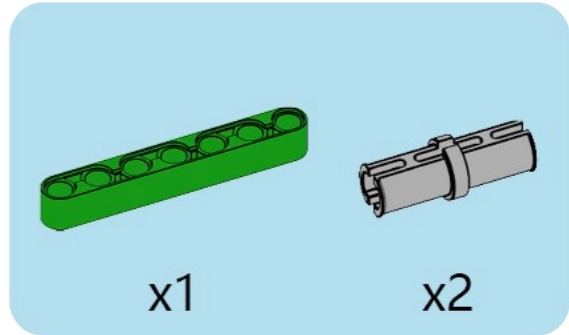
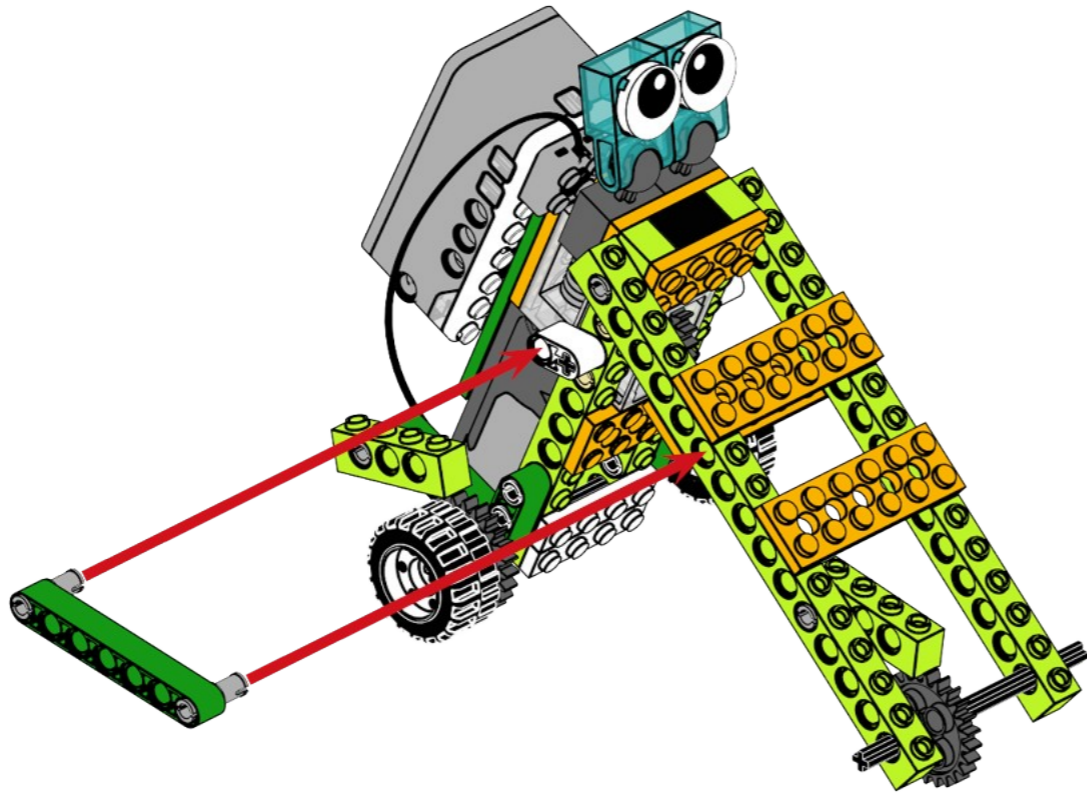
16

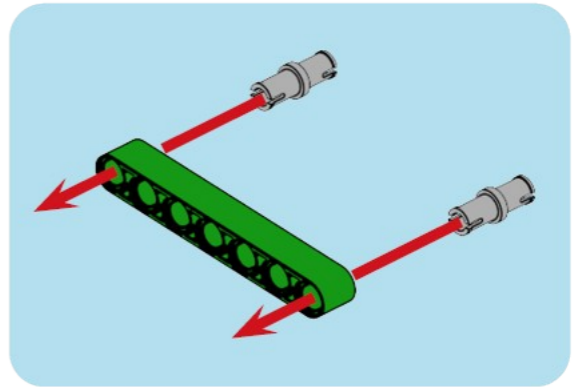
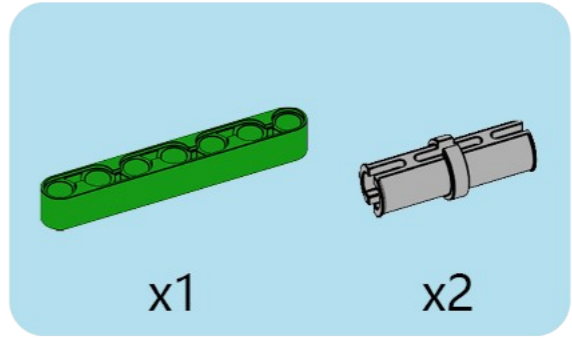
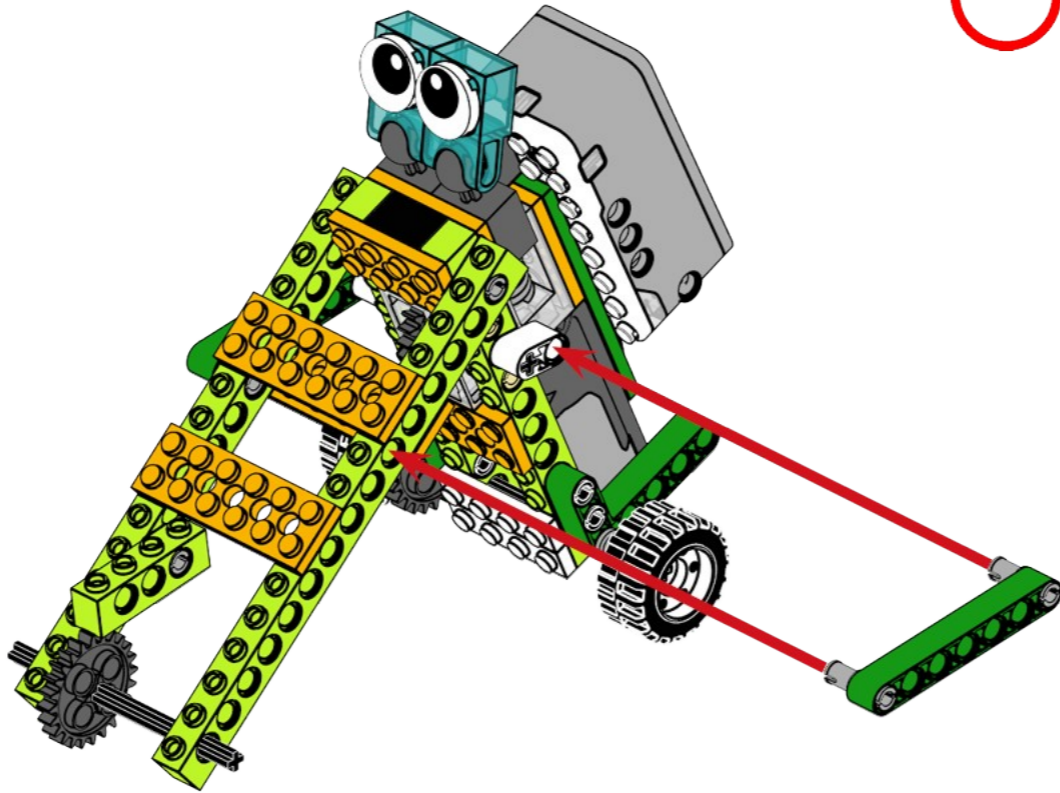


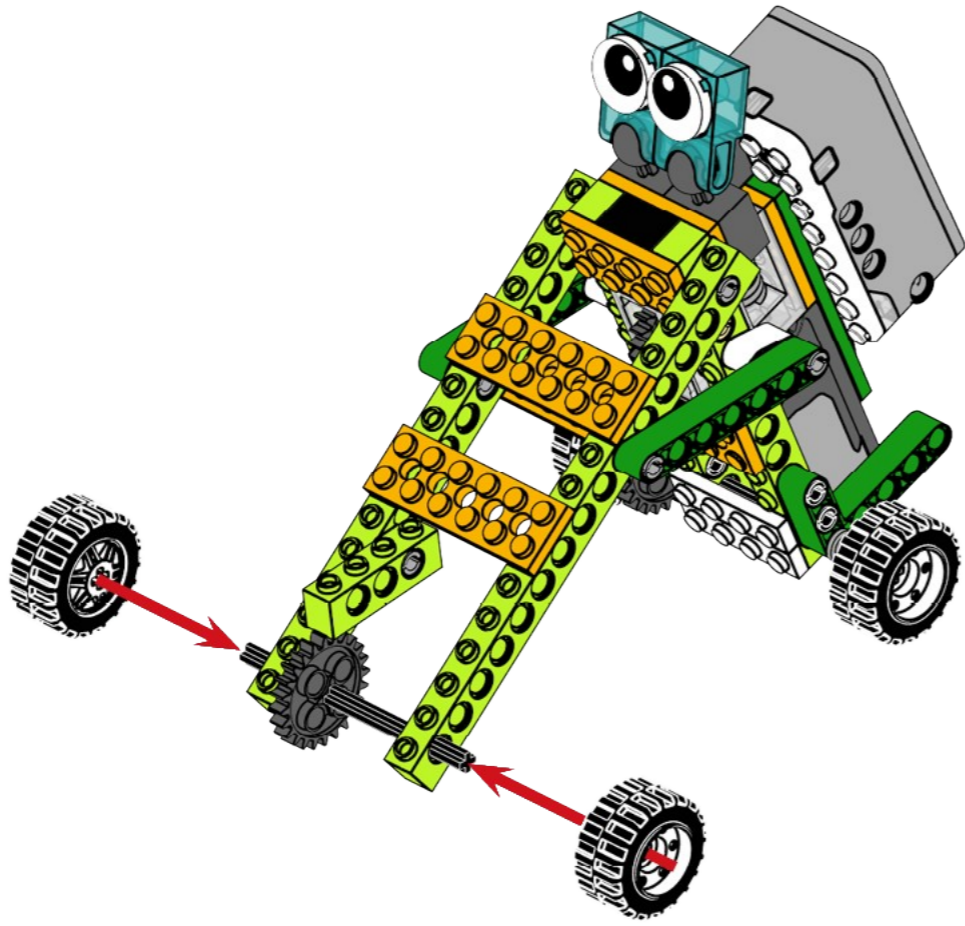
x1











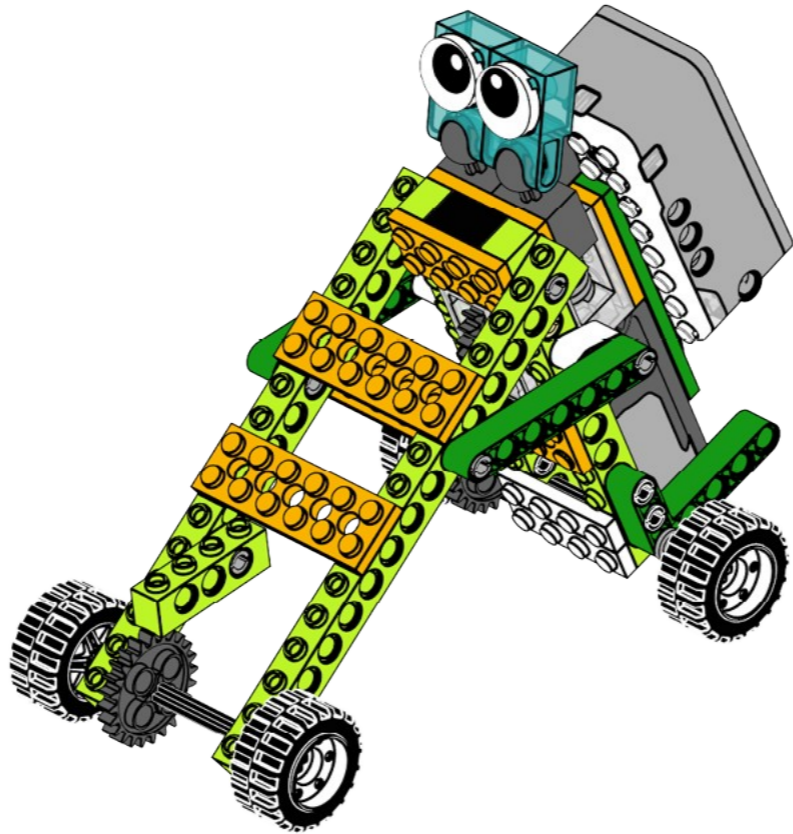
x2

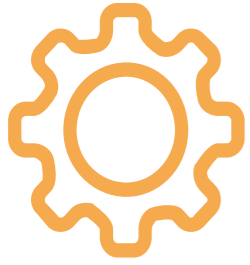
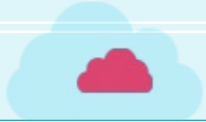


x2

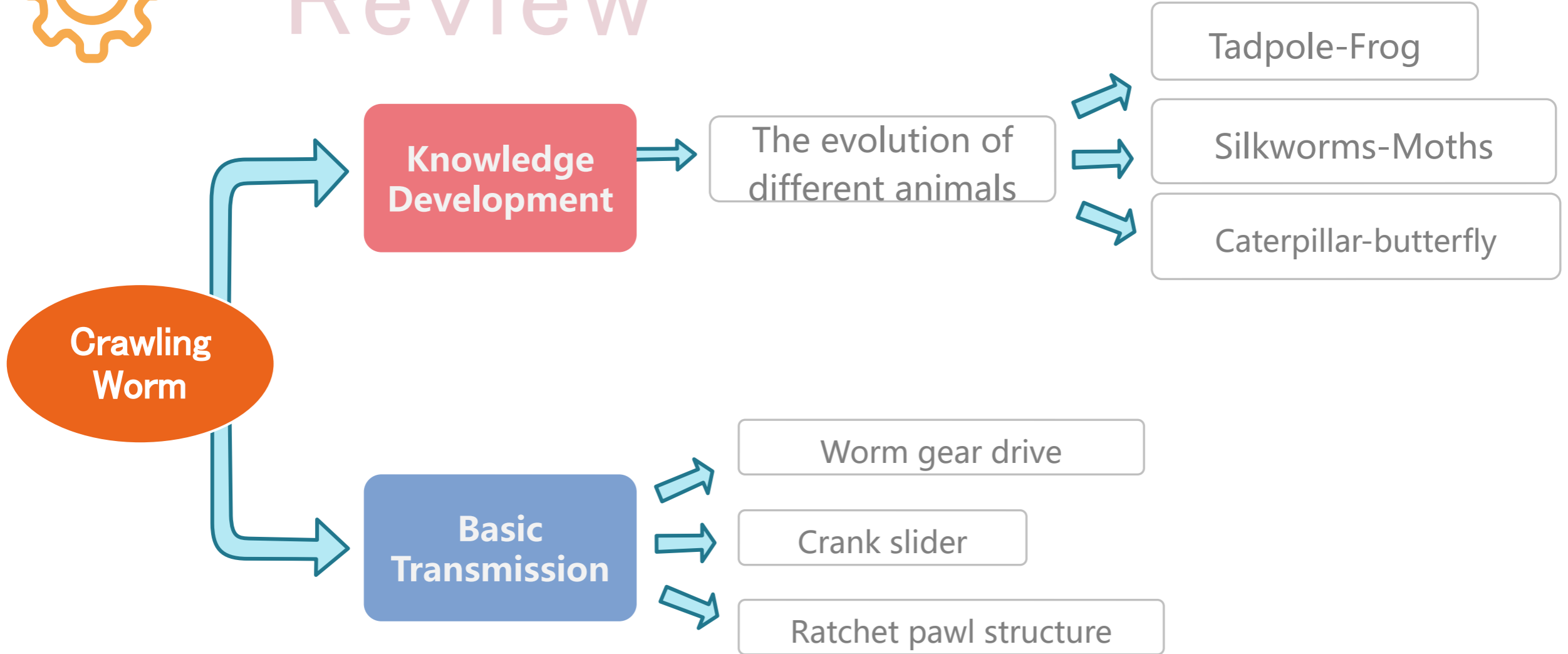


x2





Review





Talk





THANKS

