



Logic

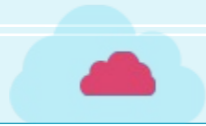
Space



Coding



Focus



Classroom Discipline

01

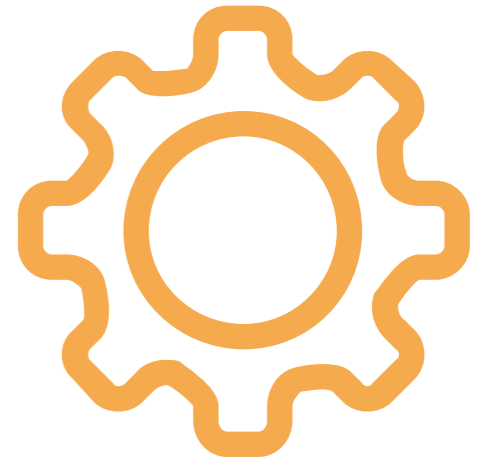
Please sit down and keep quiet in class.

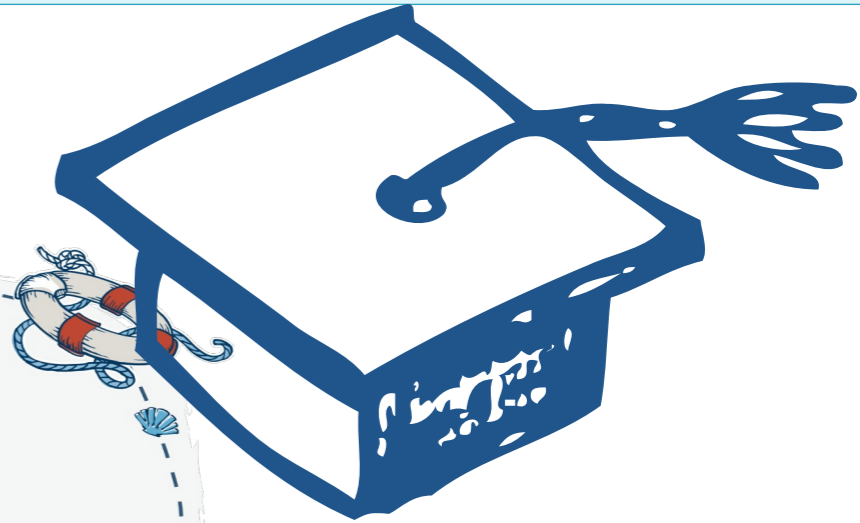
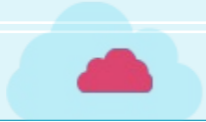
02

Please raise your hand if you have any questions

03

Please observe carefully when the pictures are played.



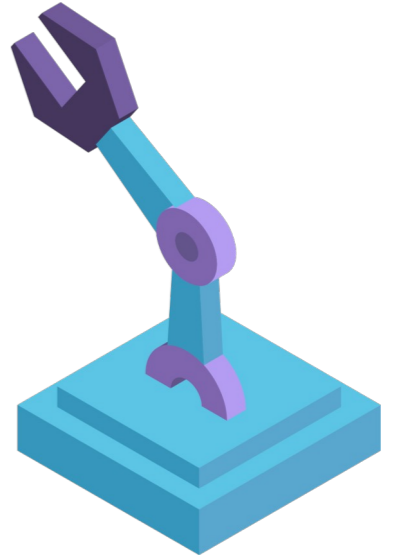


The Farm Defense





Think



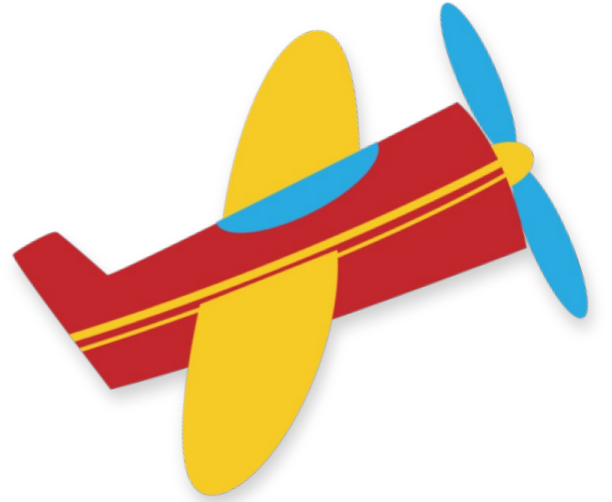


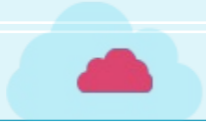
1. Kids, where do the fruits and vegetables we eat now come from?
2. Who grows all this food?





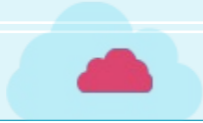
Explore





1. When the crops are about to mature, some birds or insects always appear and eat the crops. What can we do?

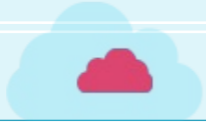




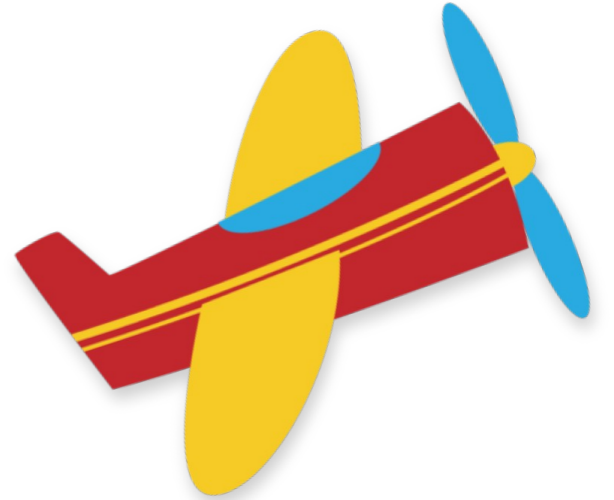
The Farm Defense



Scarecrows are made by farmers to protect their fields from birds and other crops.

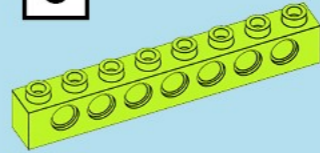


Build

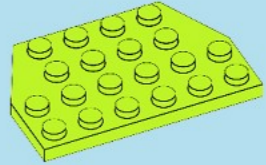




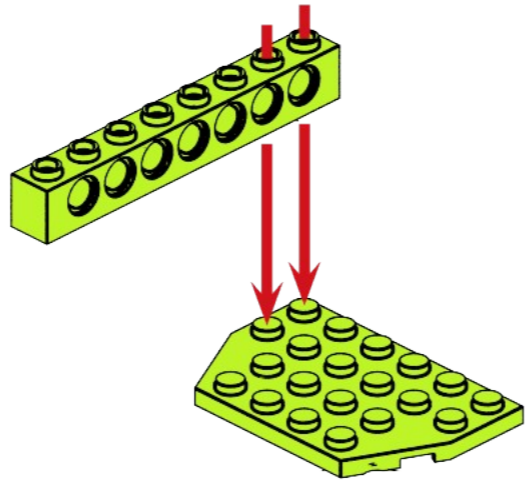
8

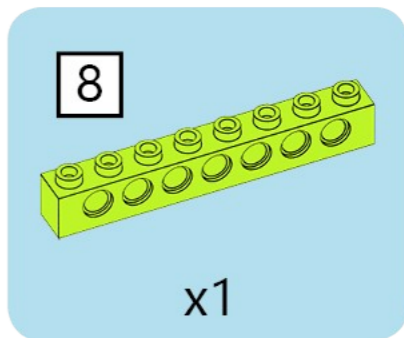
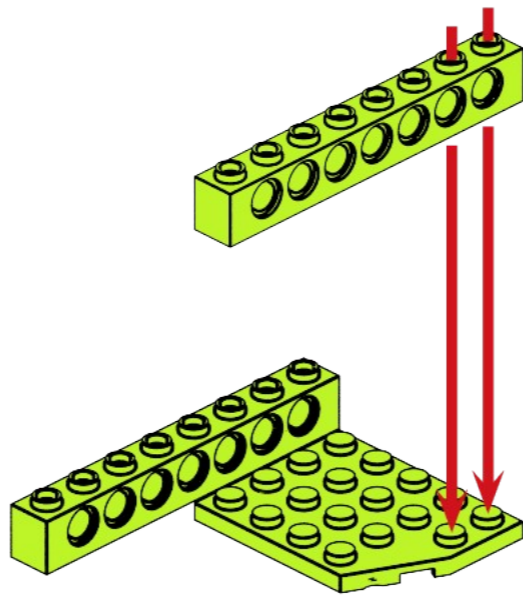


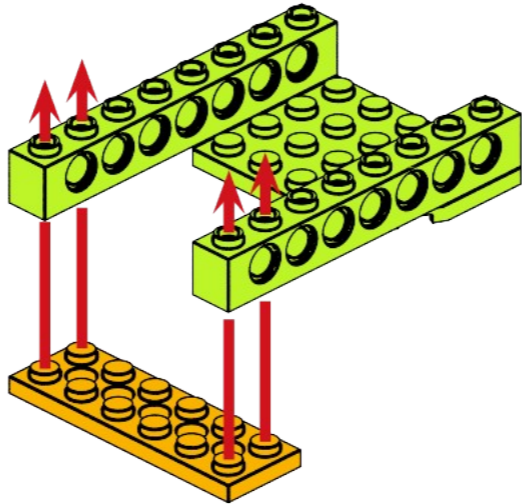
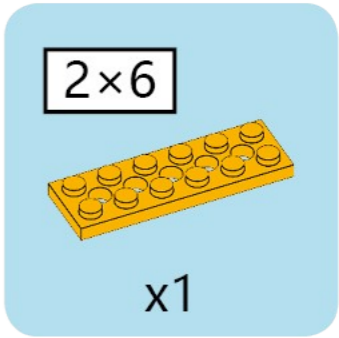
x1

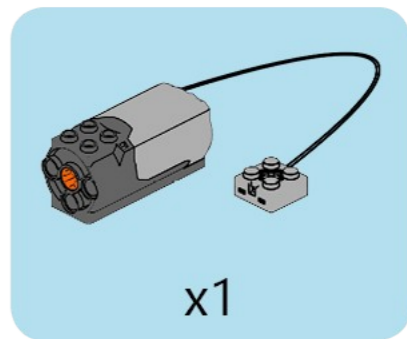
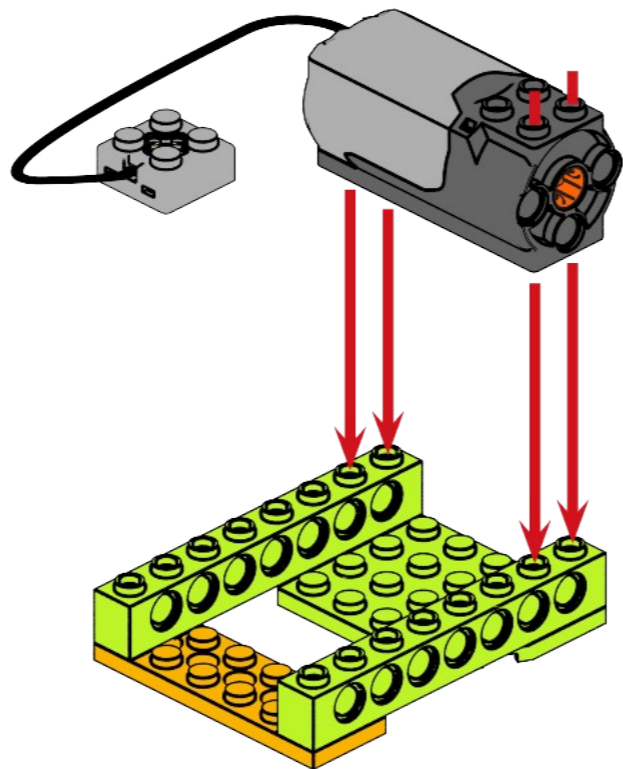


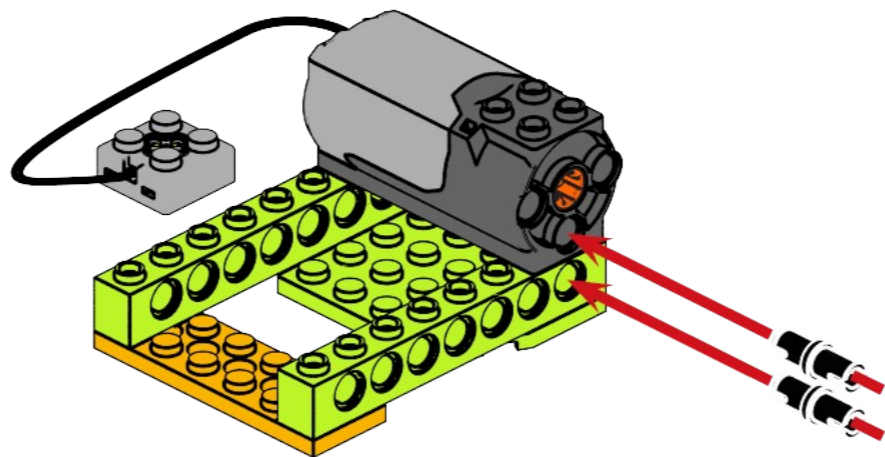
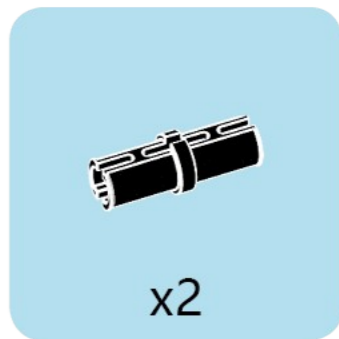
x1

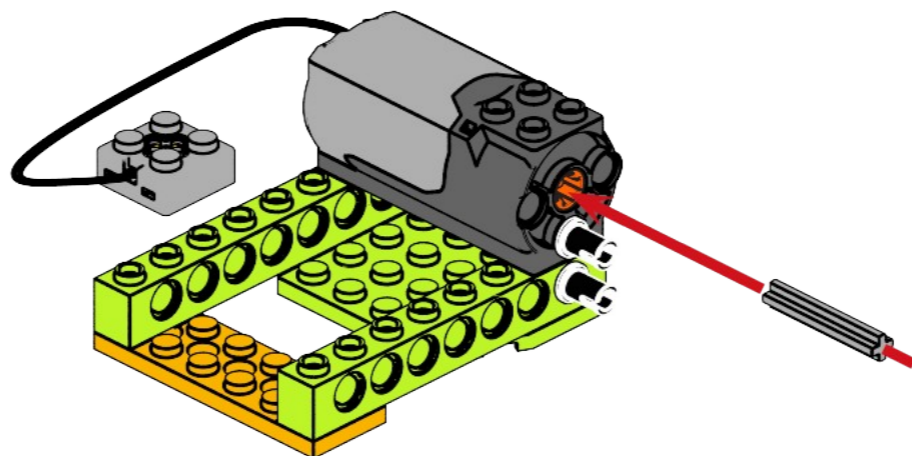
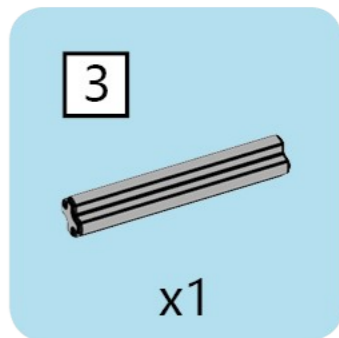






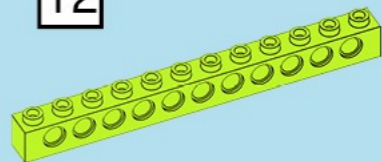




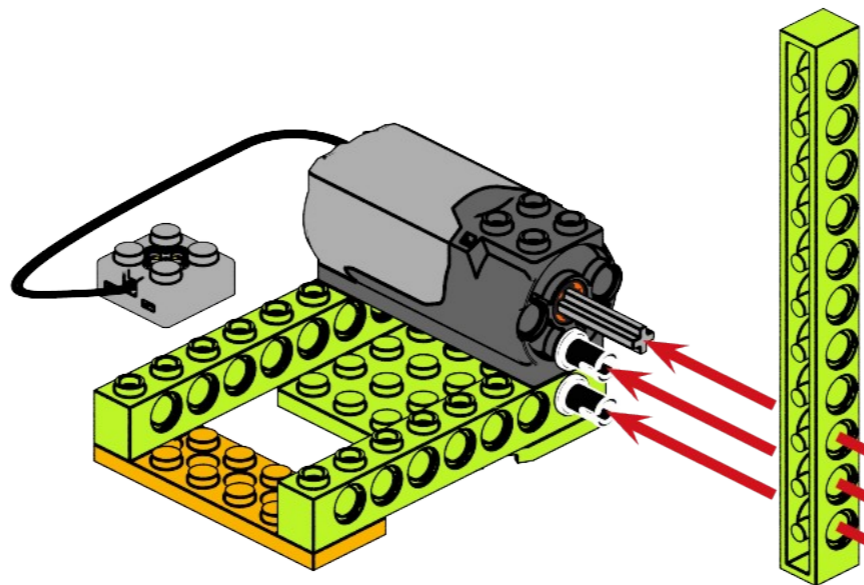


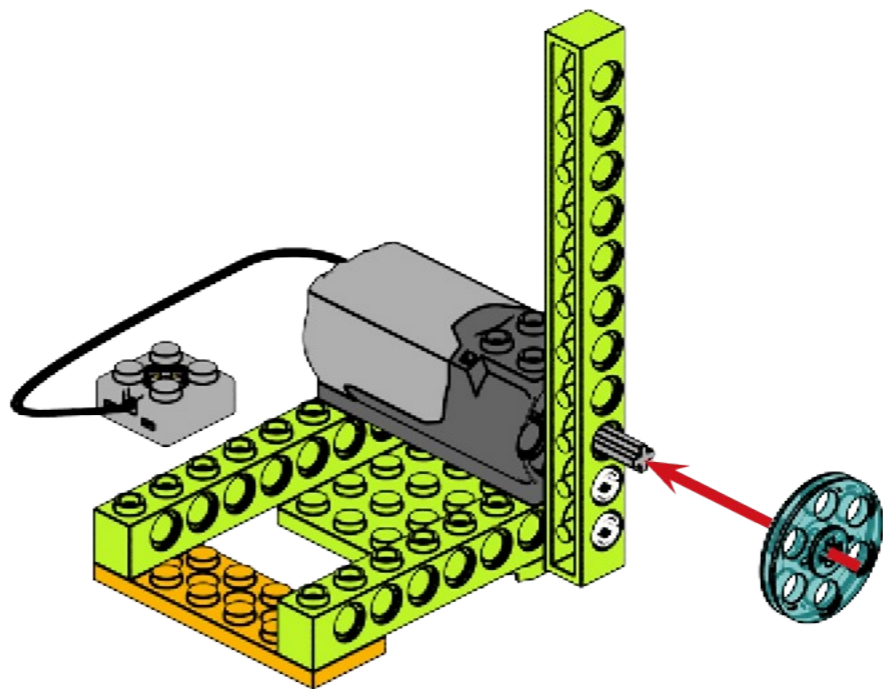
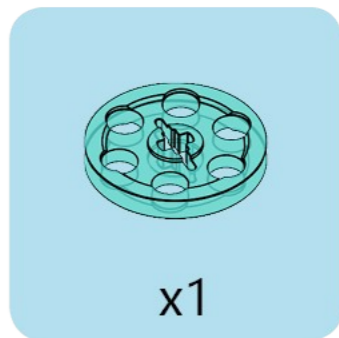


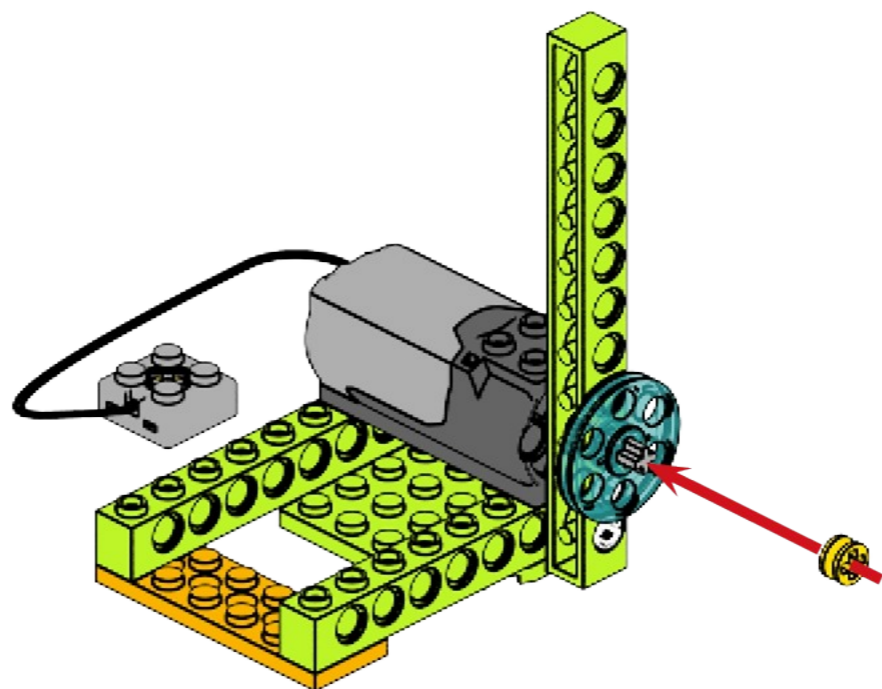
12



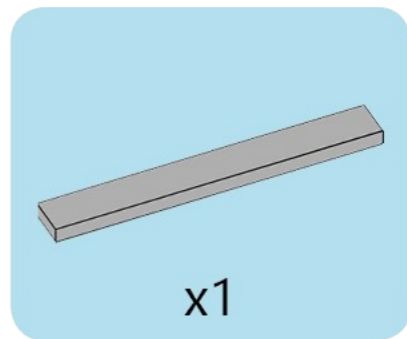
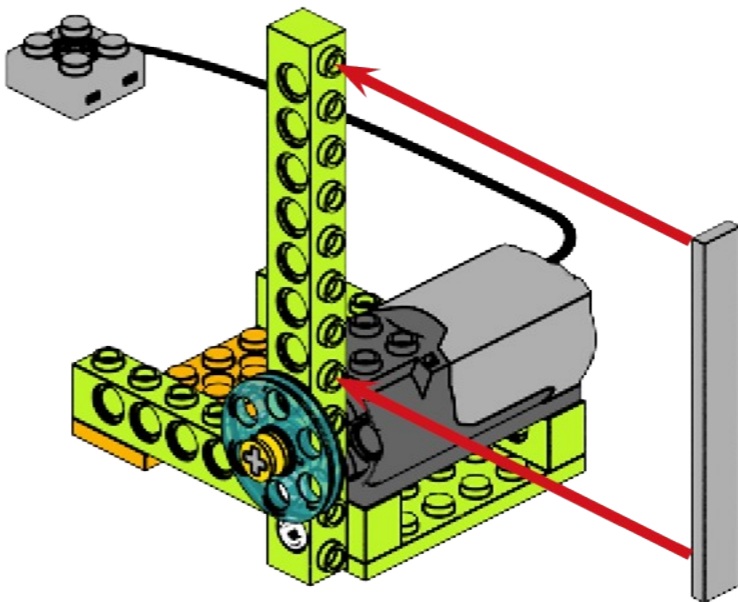
x1

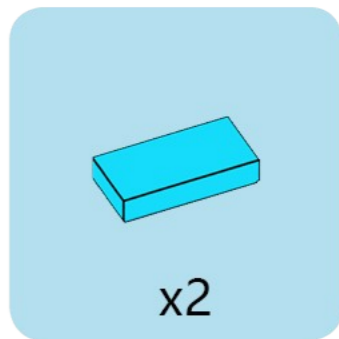
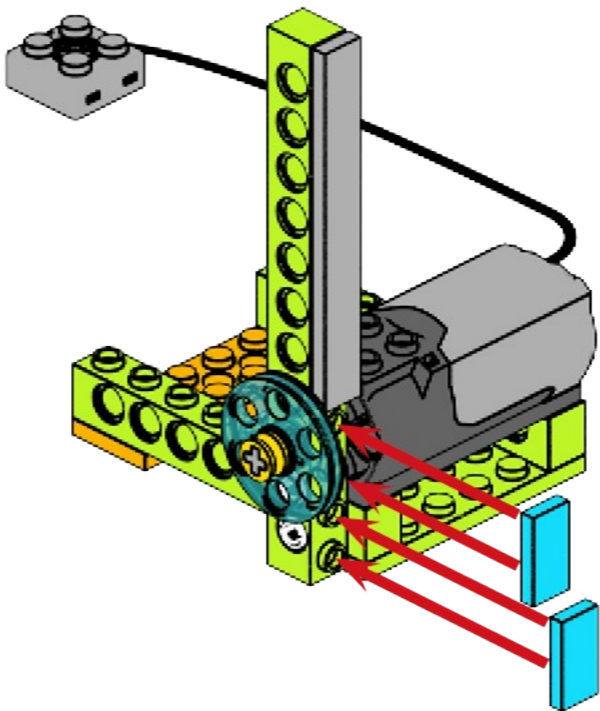


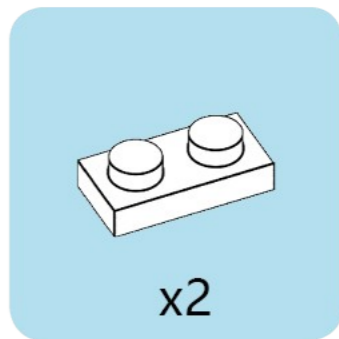
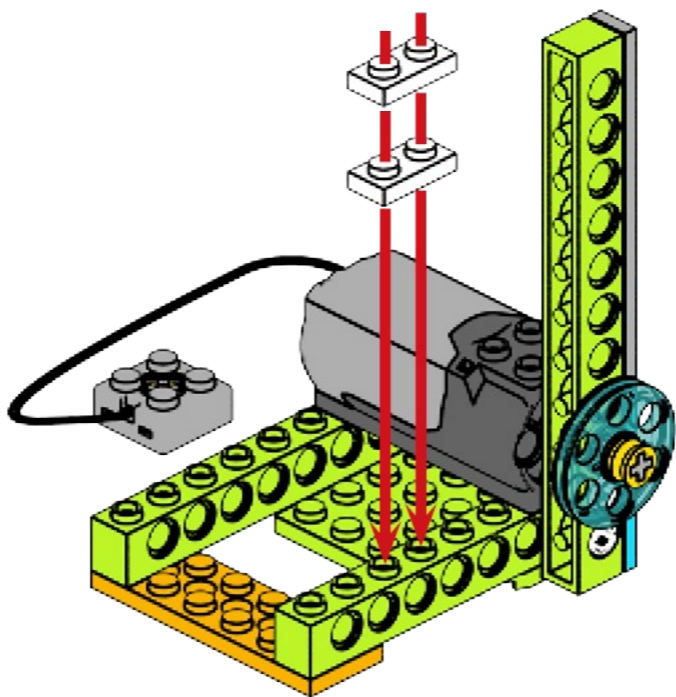


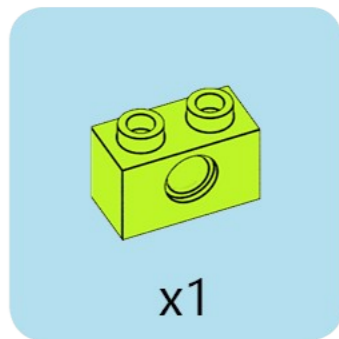
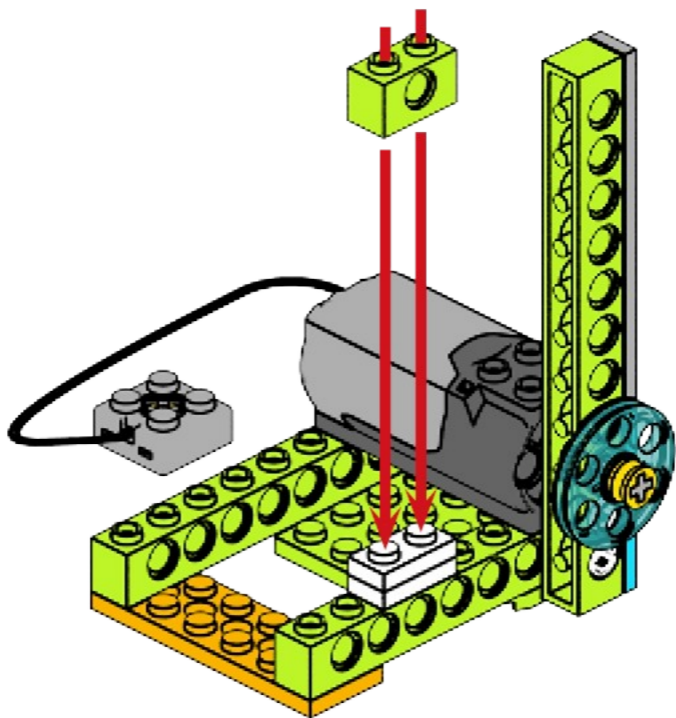


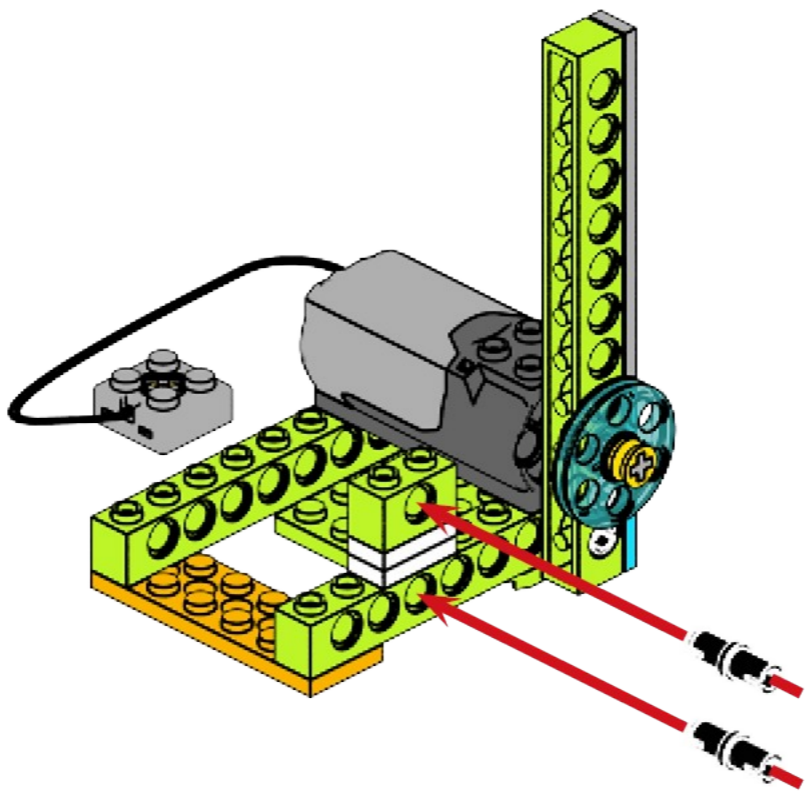
x1



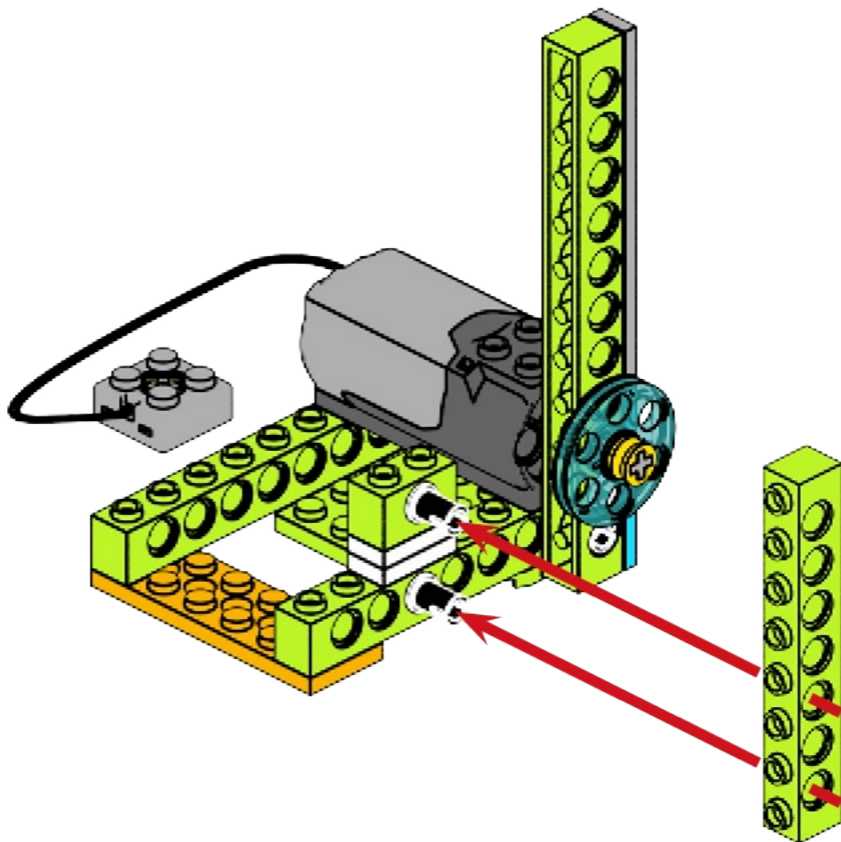
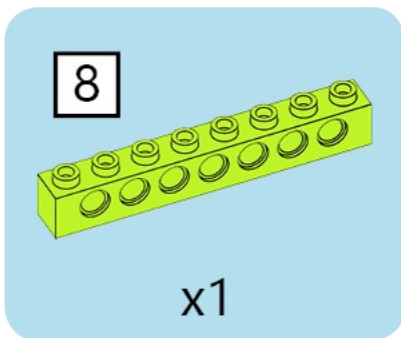


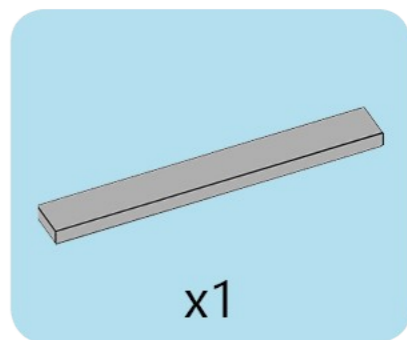
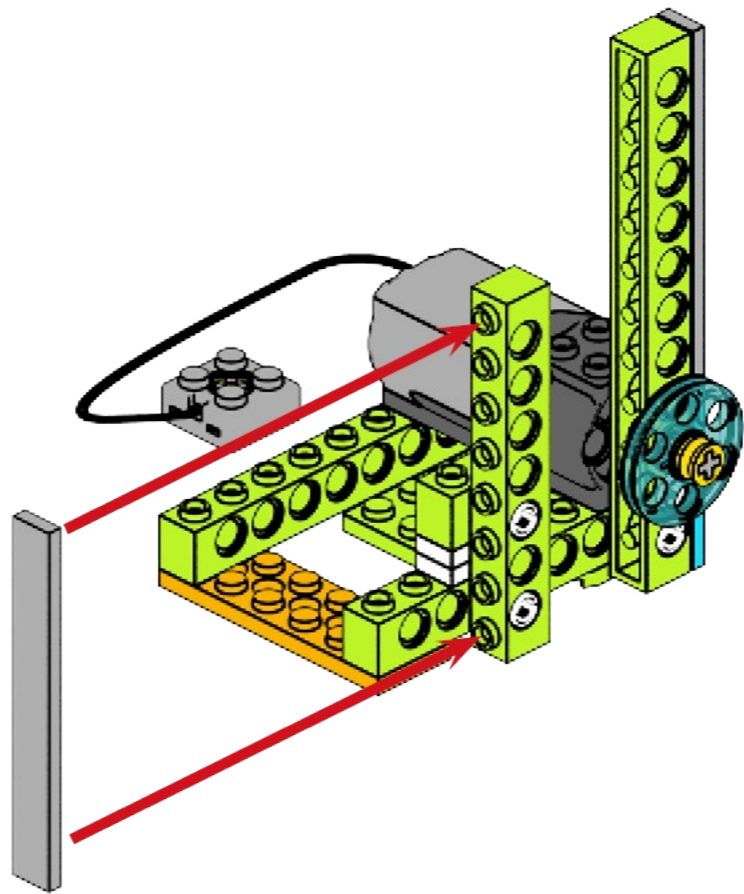


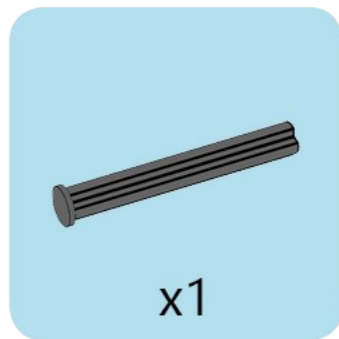
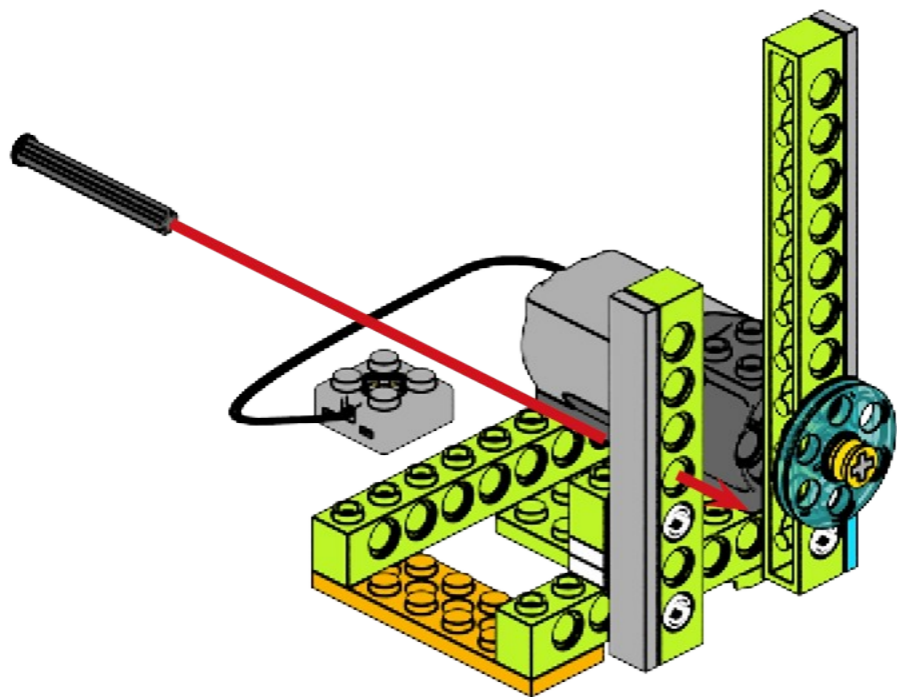


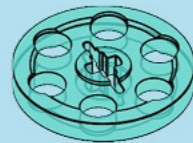
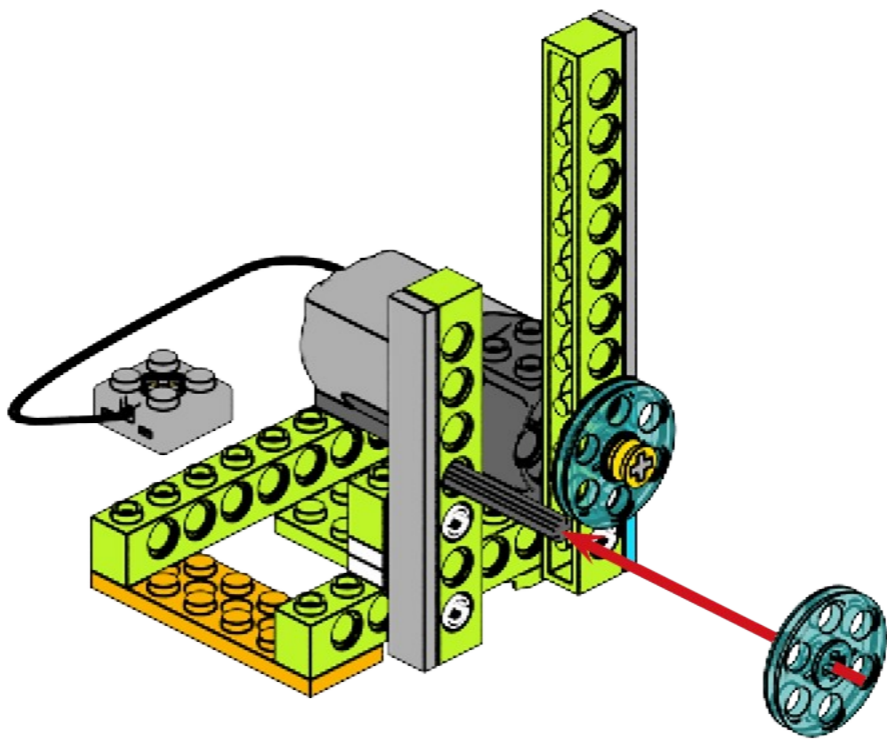


x2

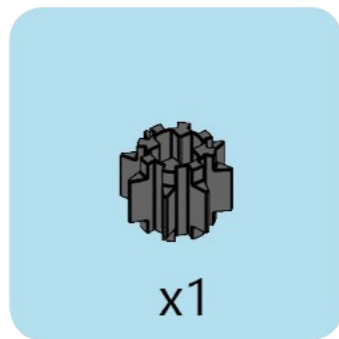
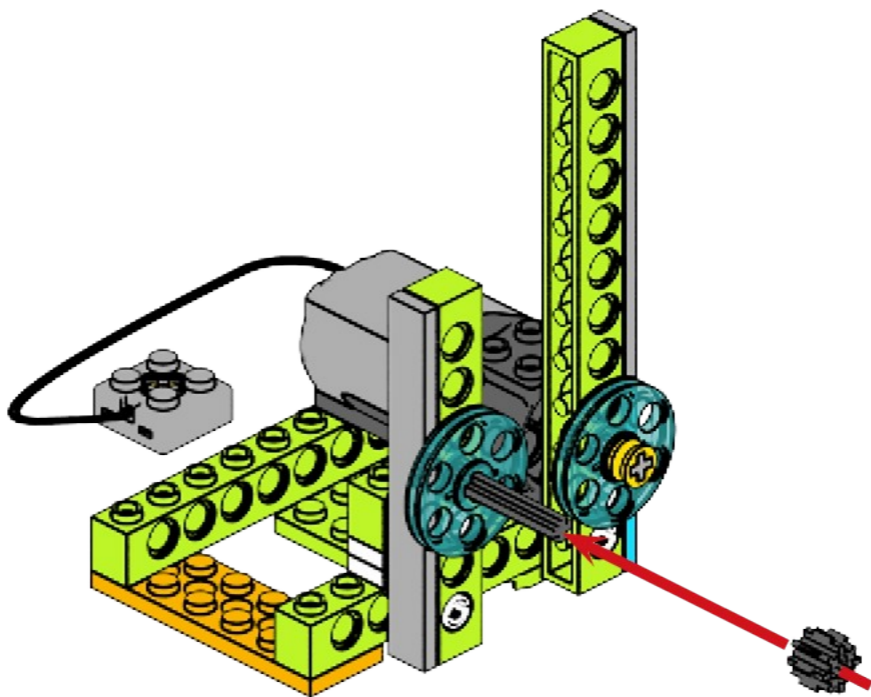


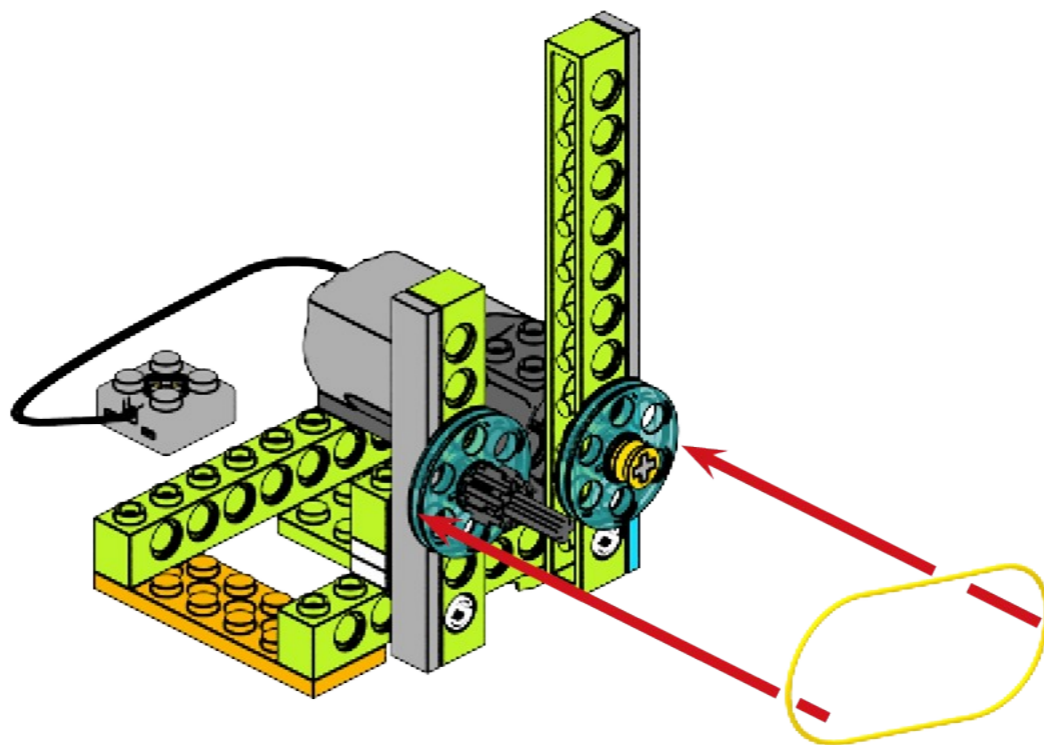




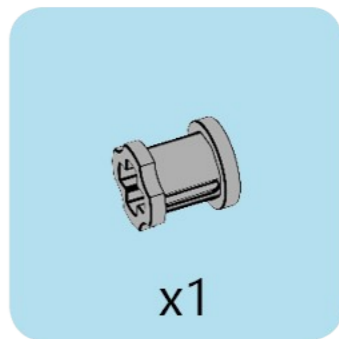
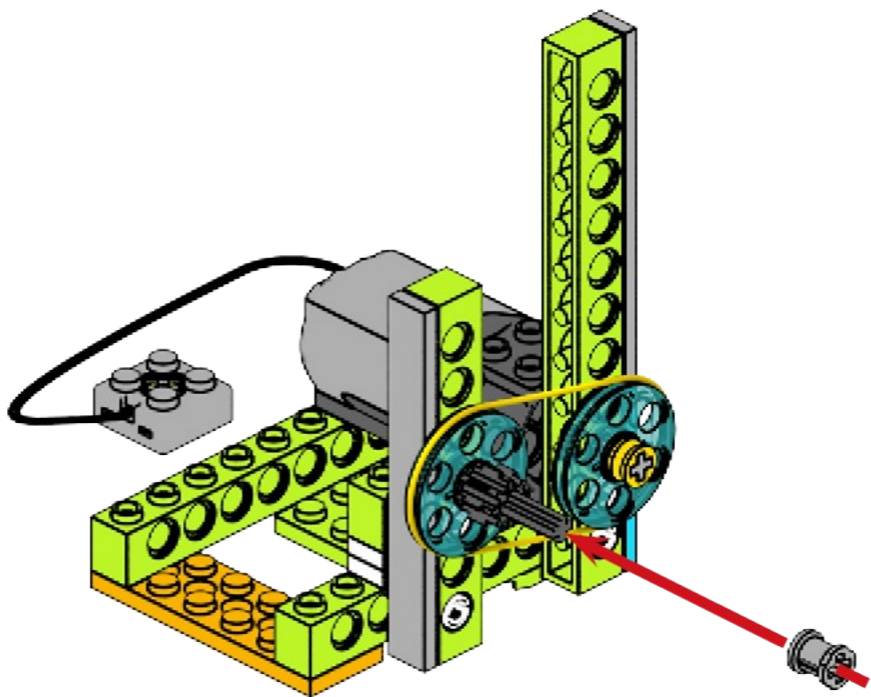


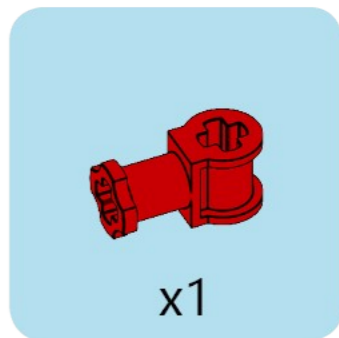
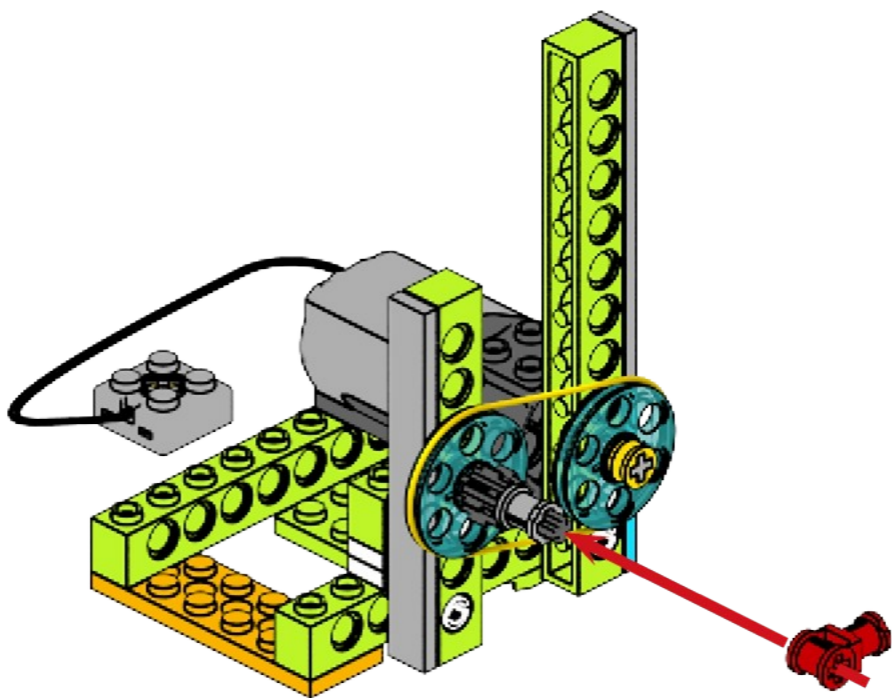
x1

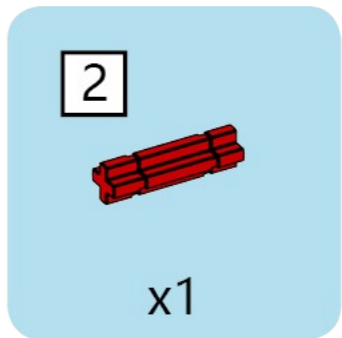
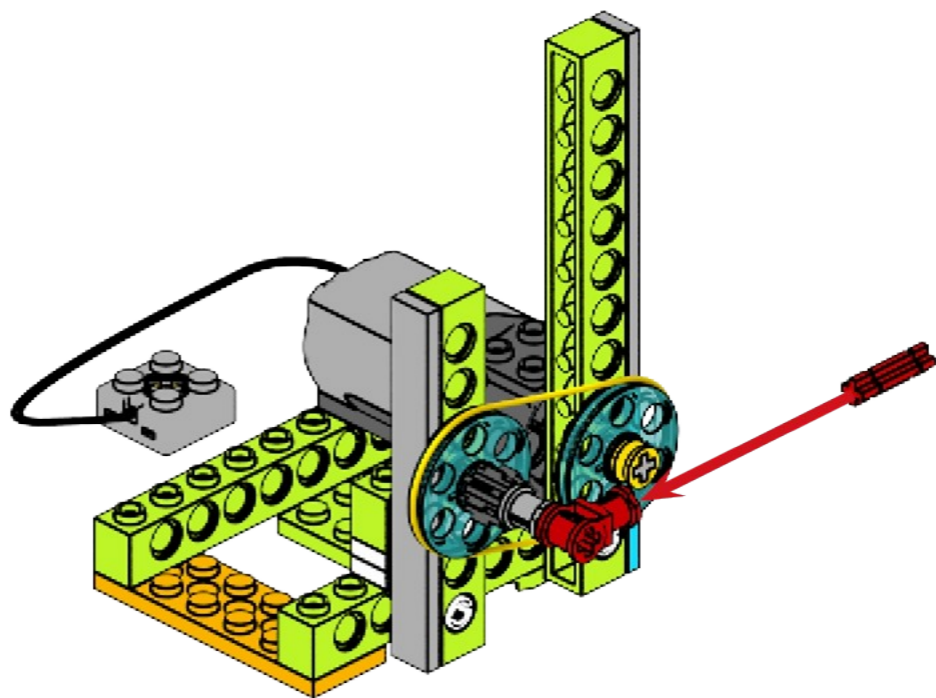


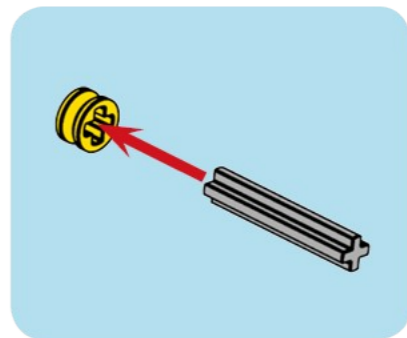
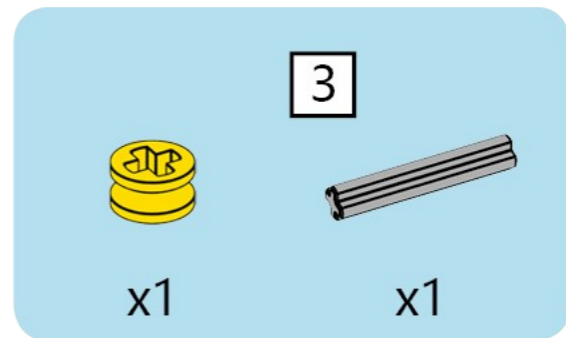
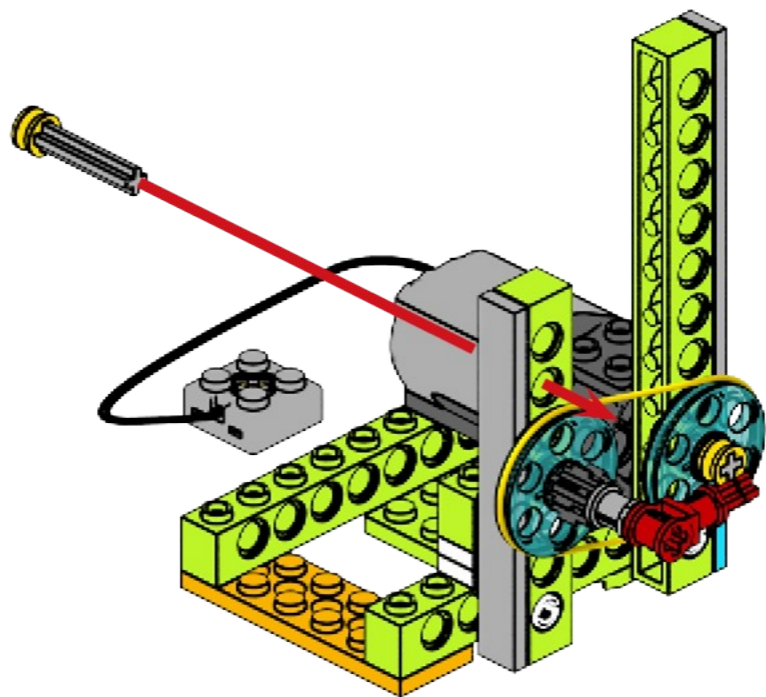


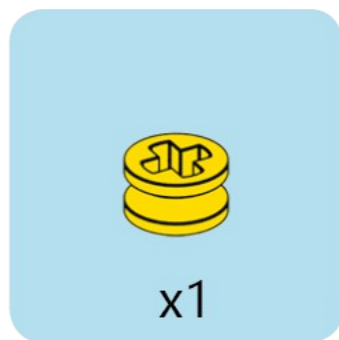
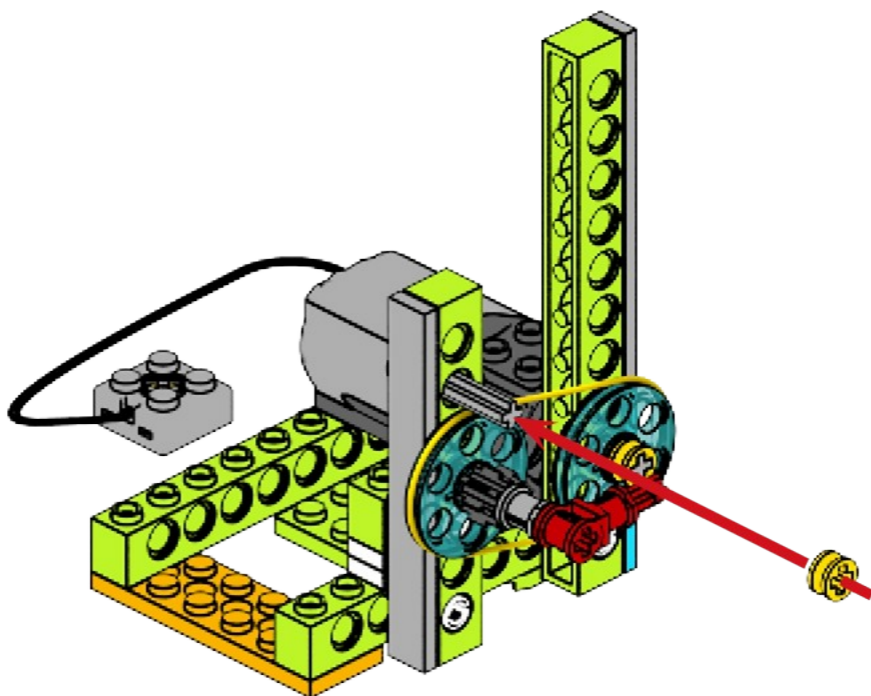
橡皮筋 x1

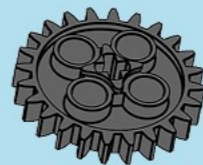
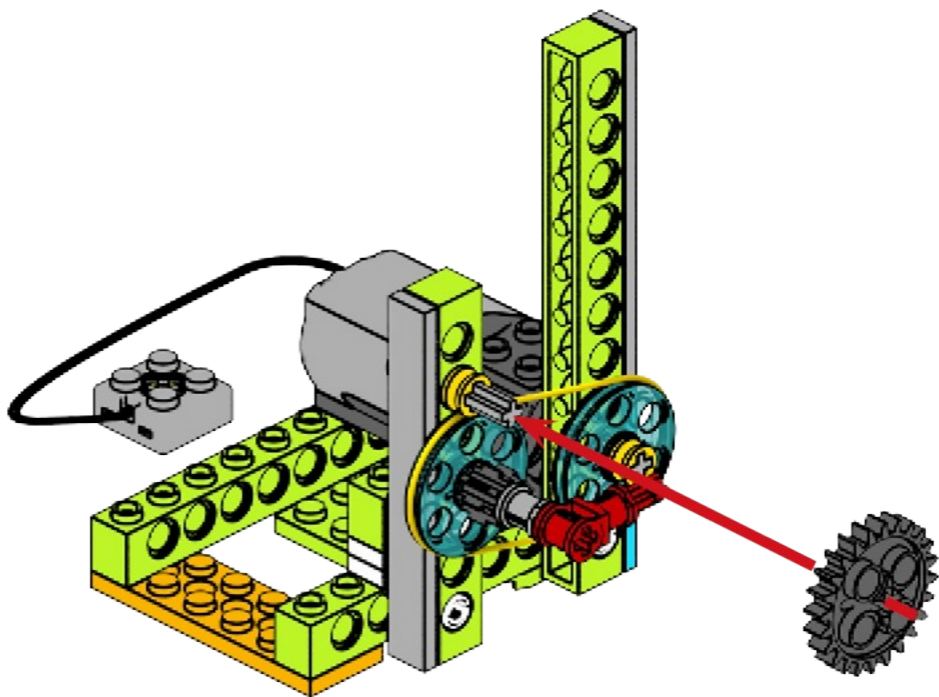




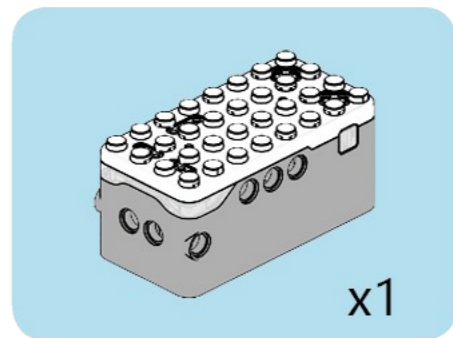
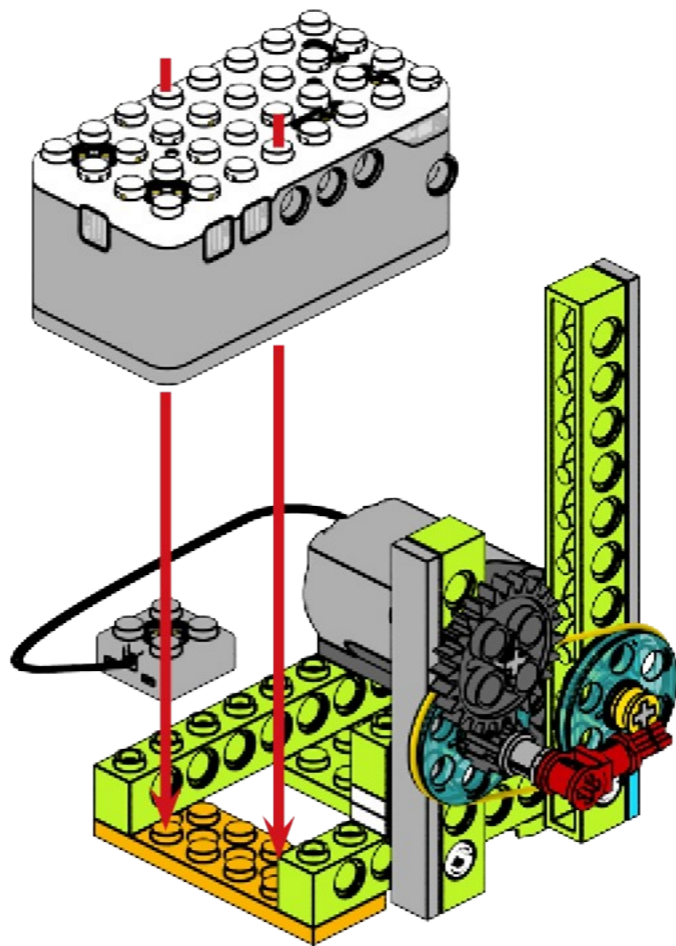


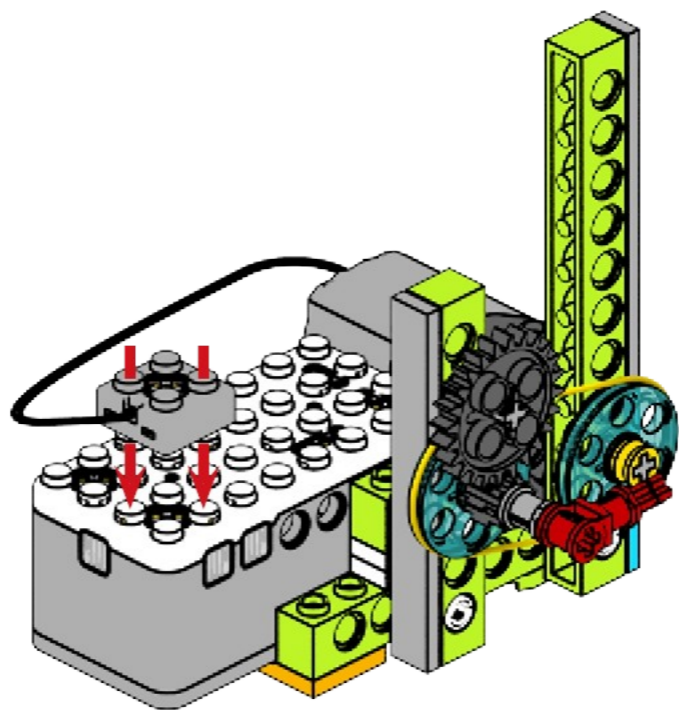


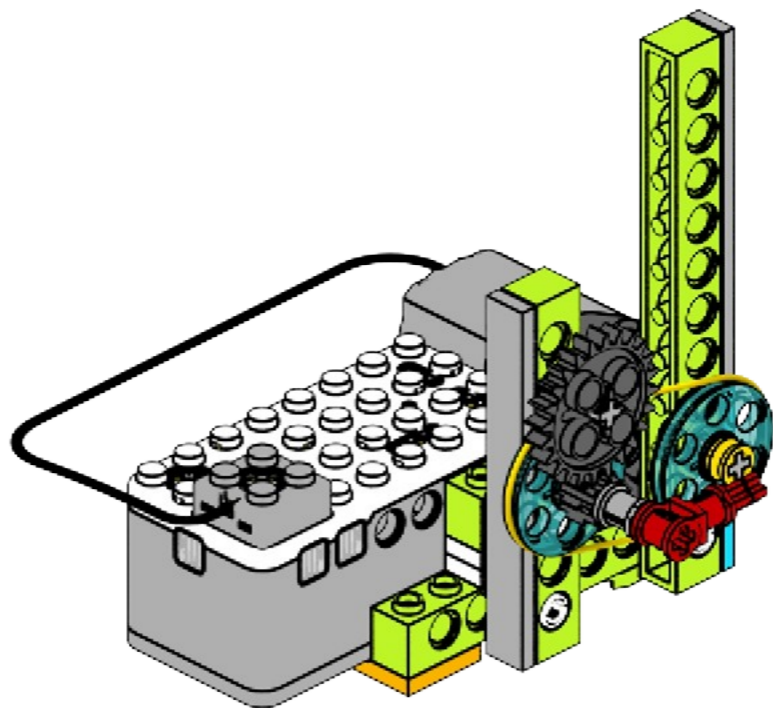


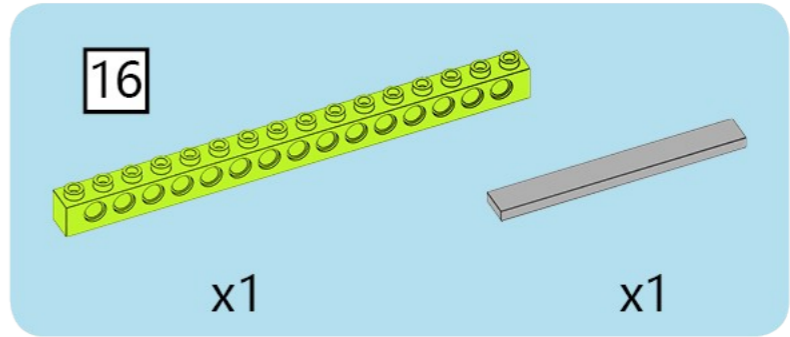
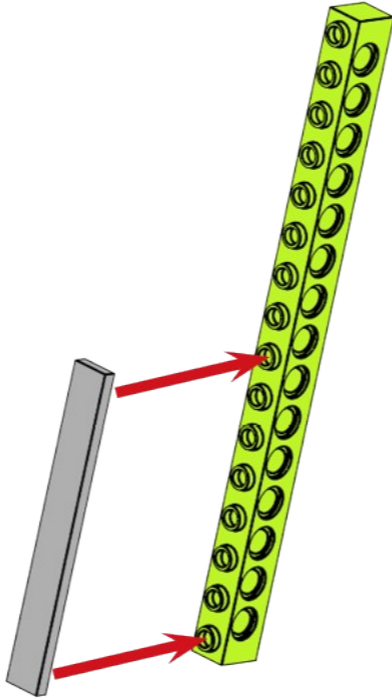


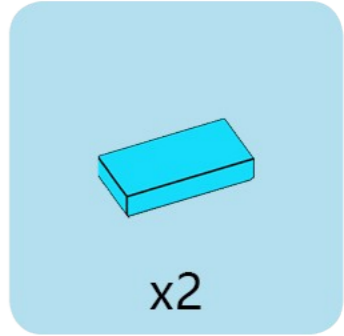
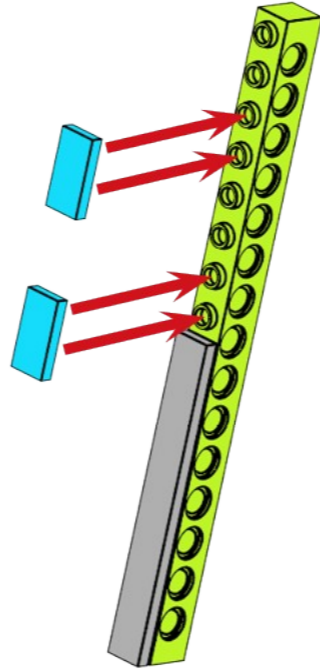
x1

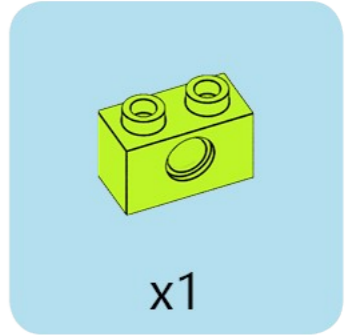
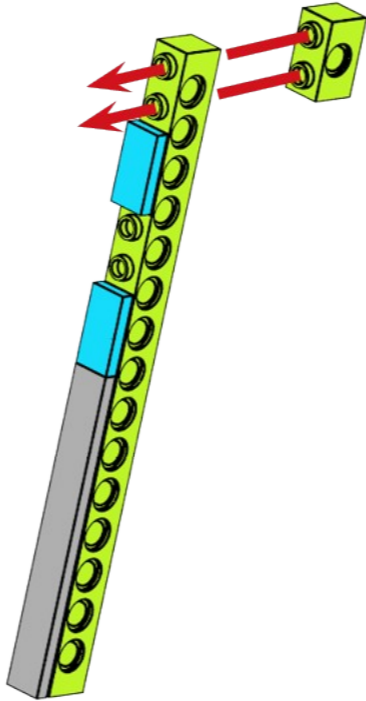


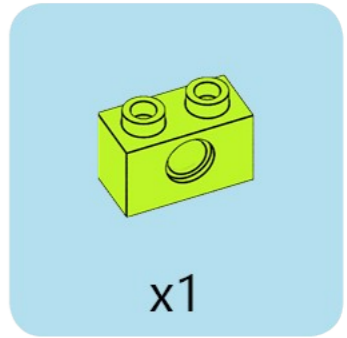
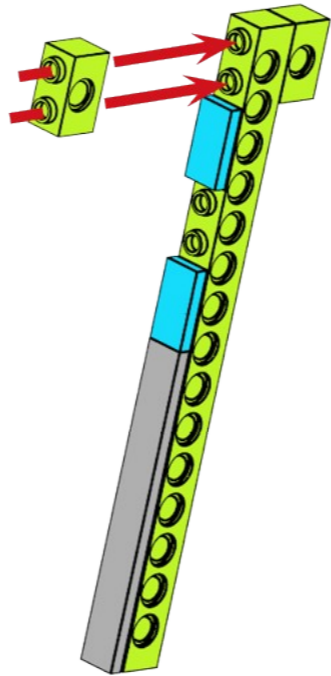


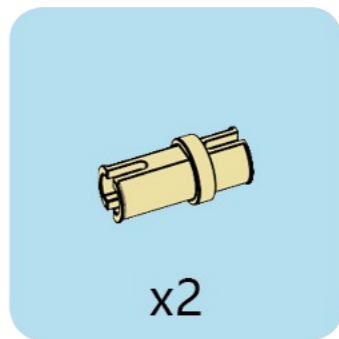
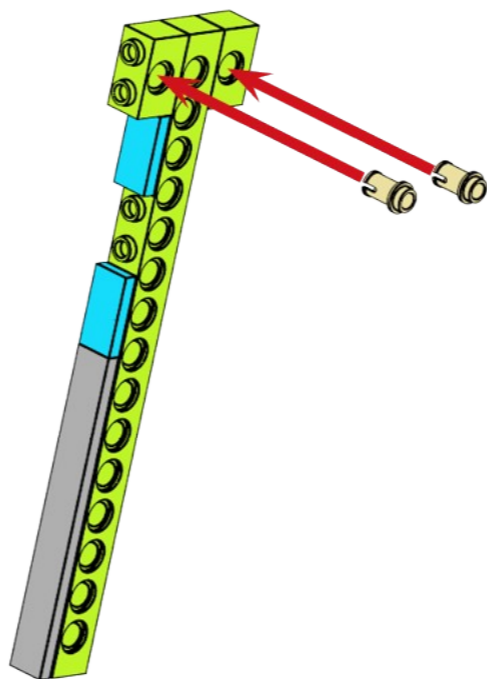


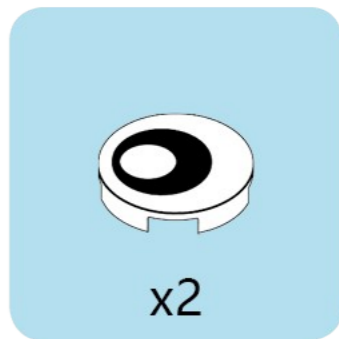
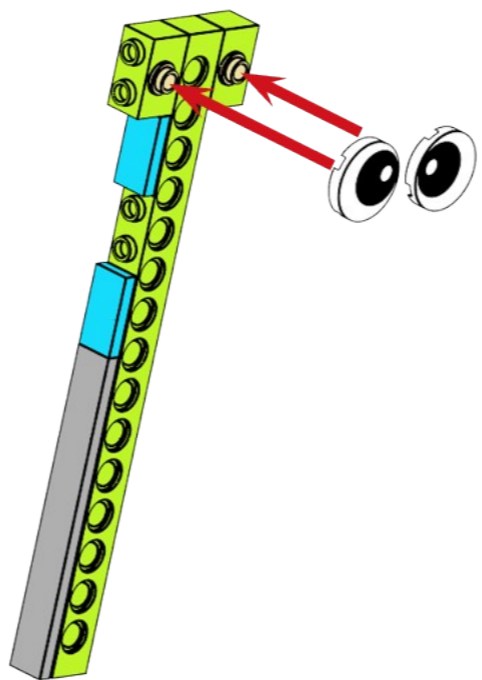


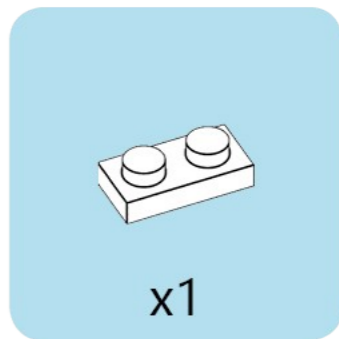
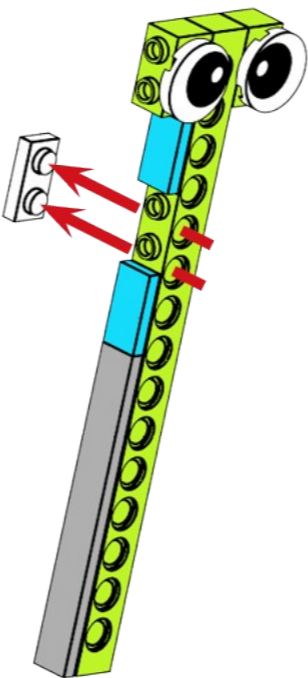


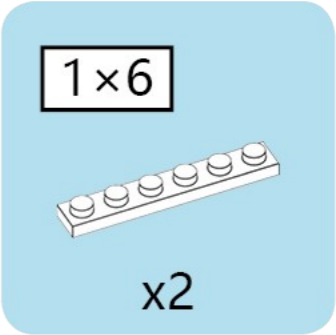
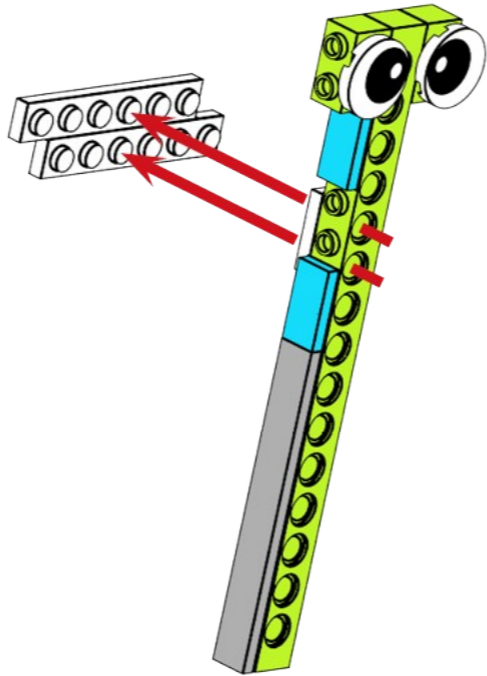


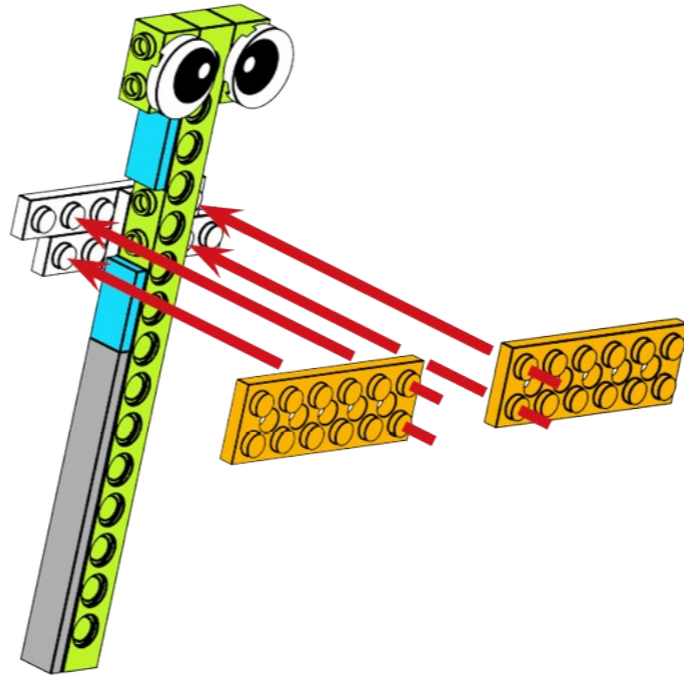
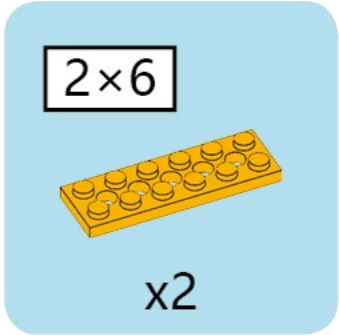


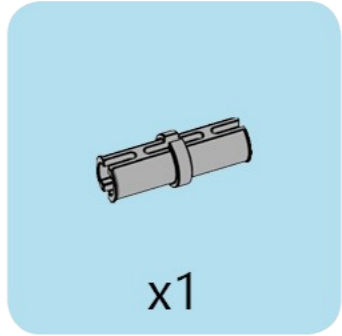
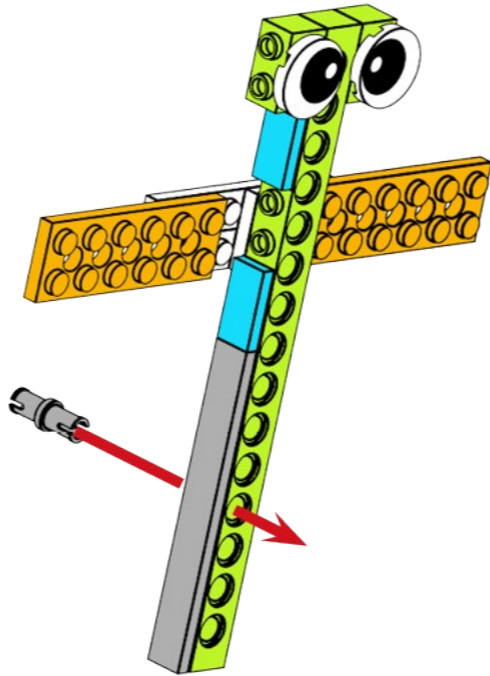


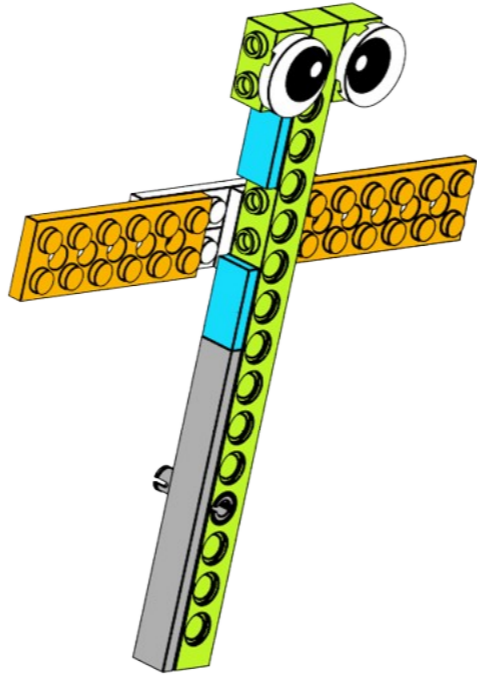


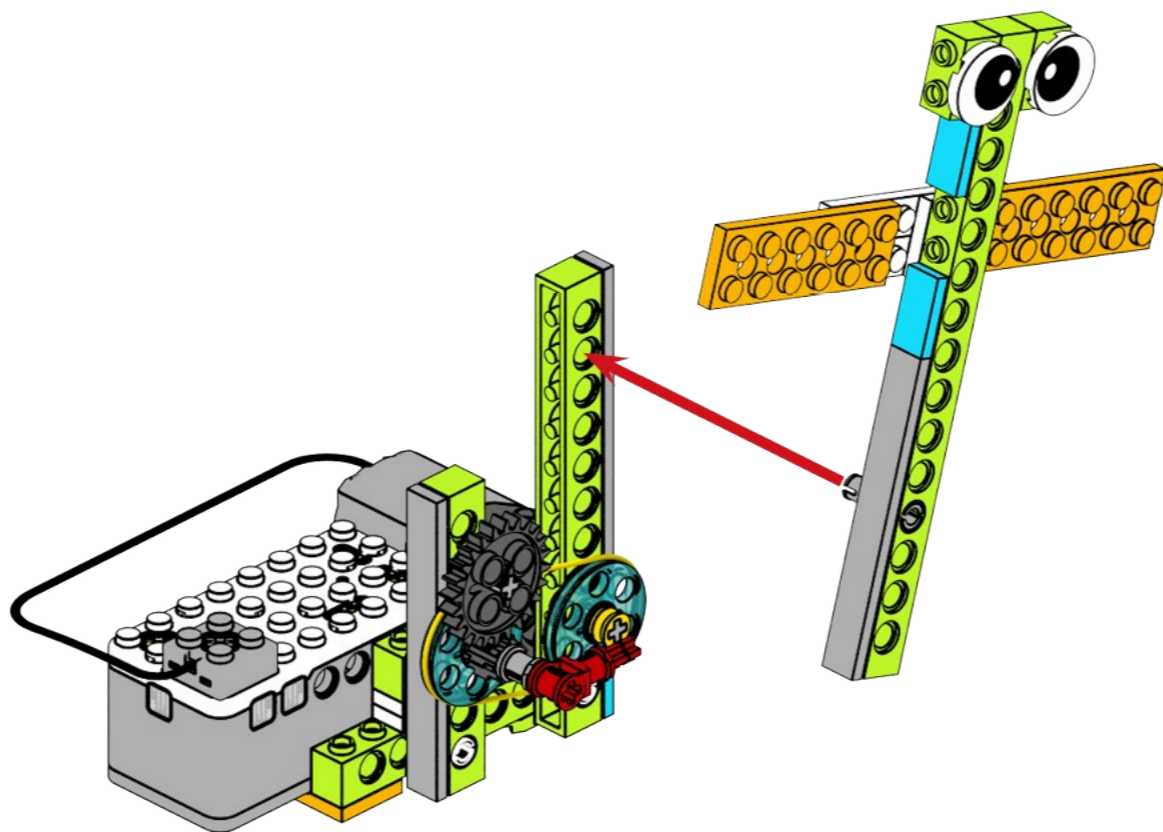


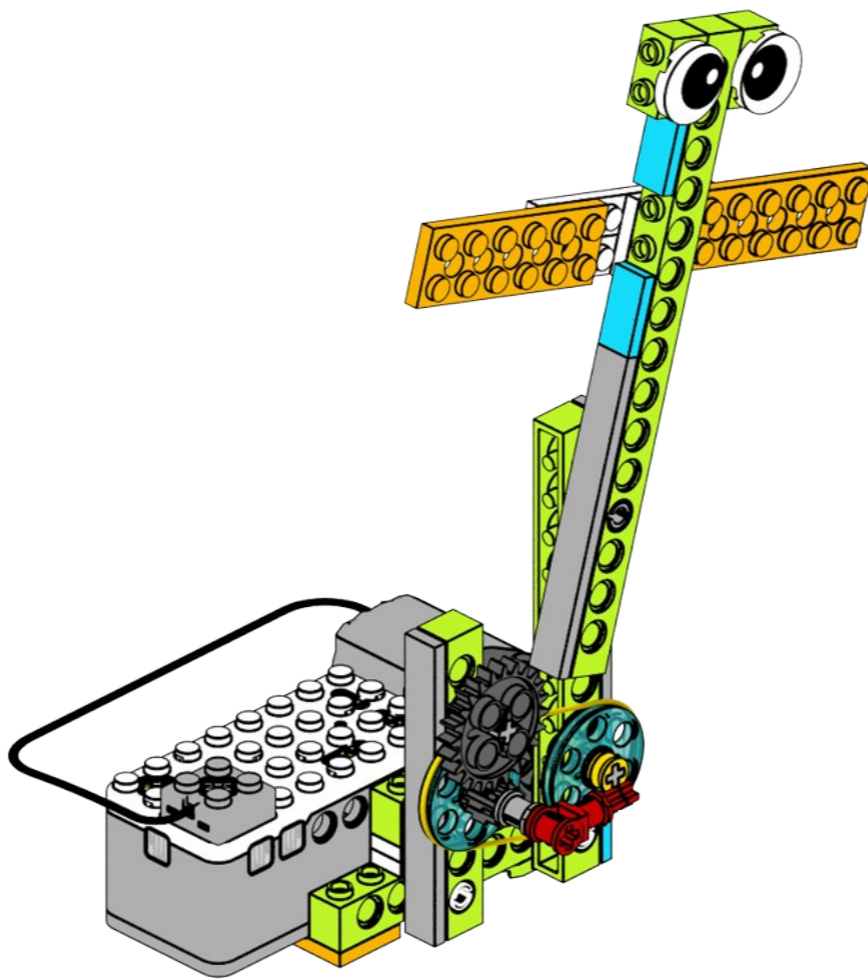


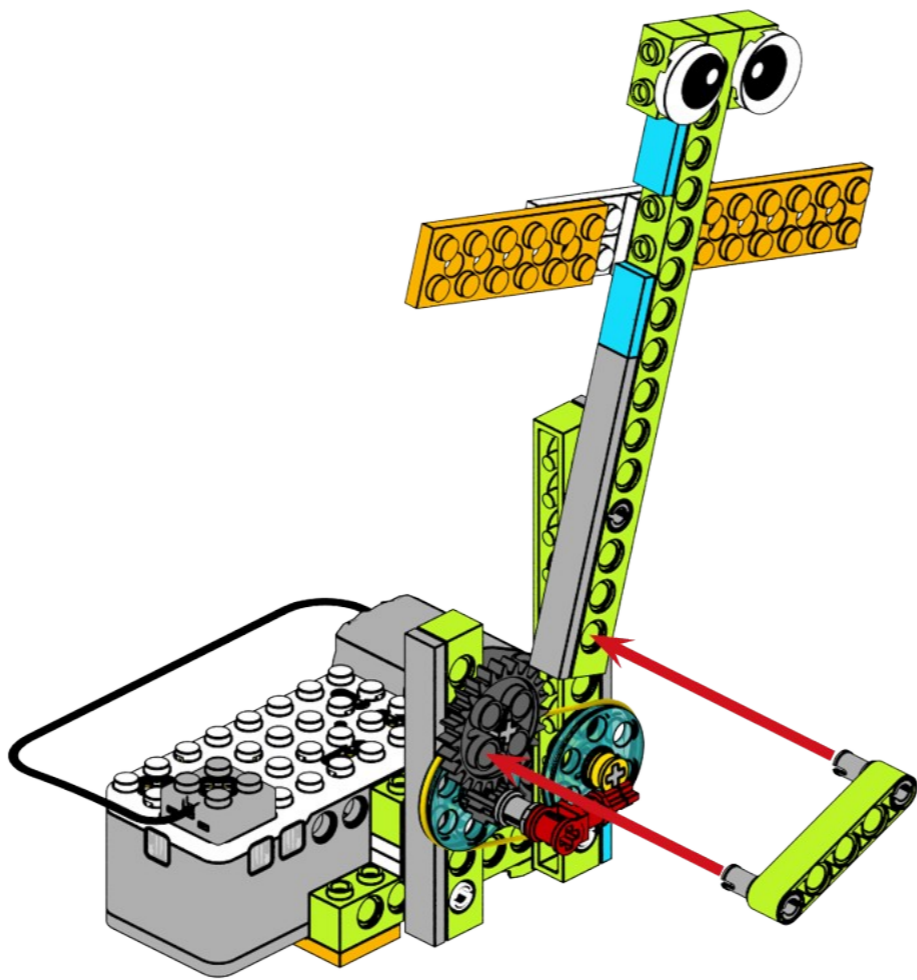




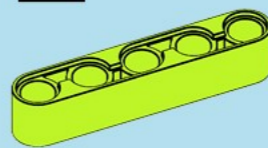




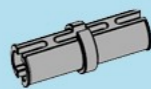




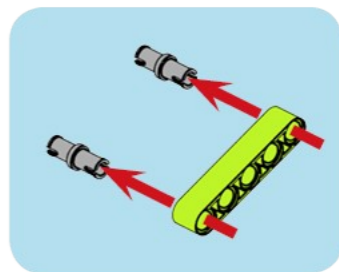
5

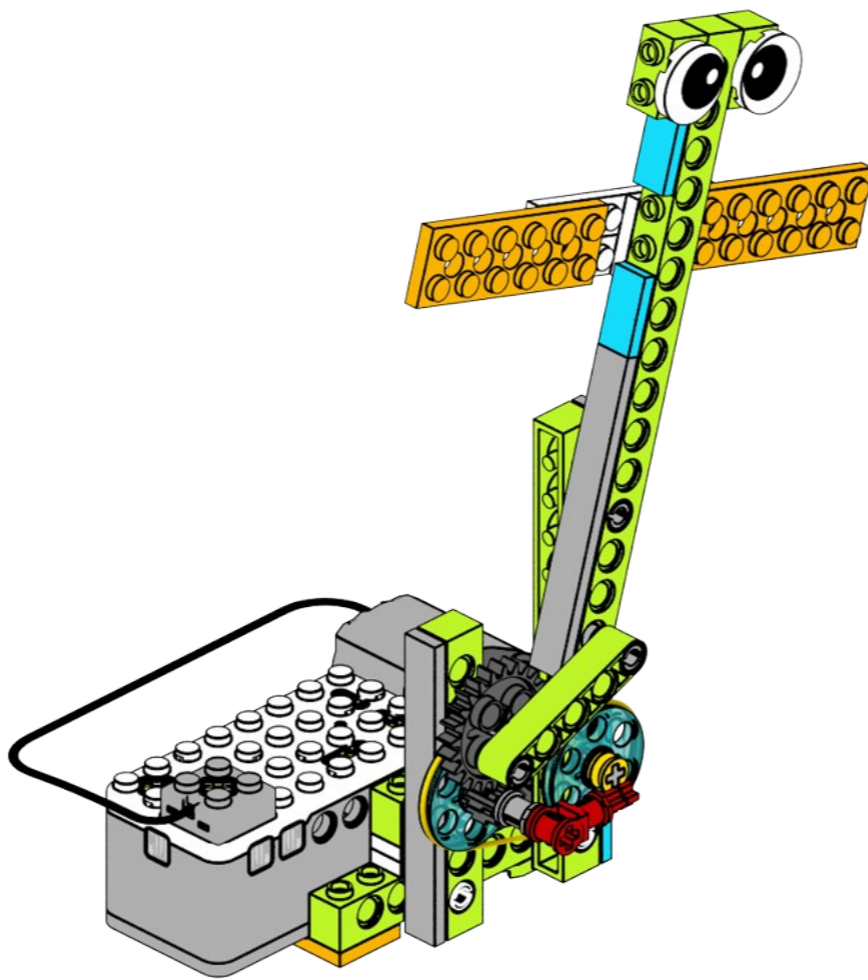


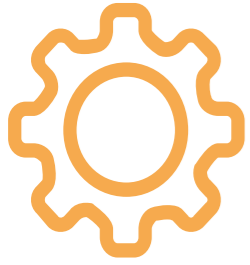
x1



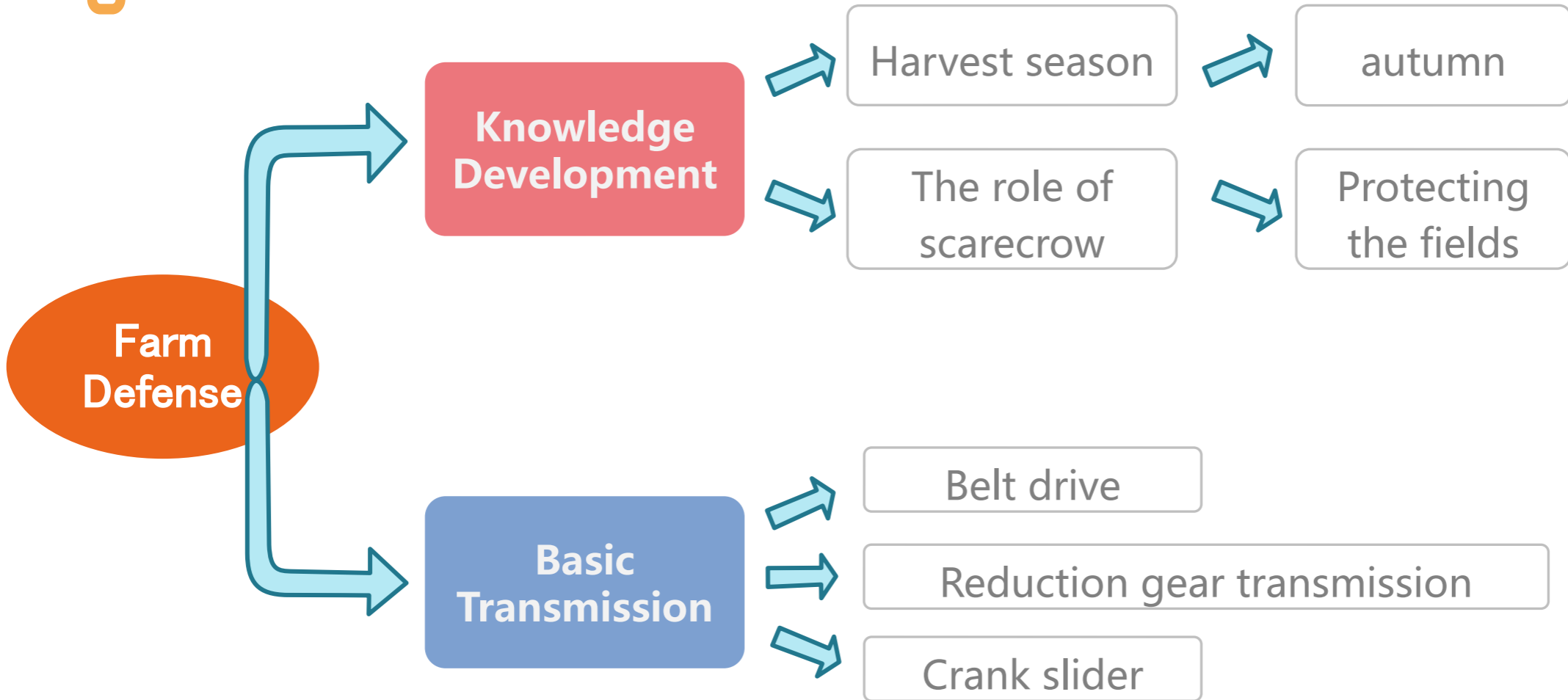
x2

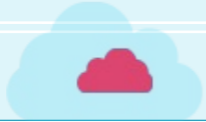




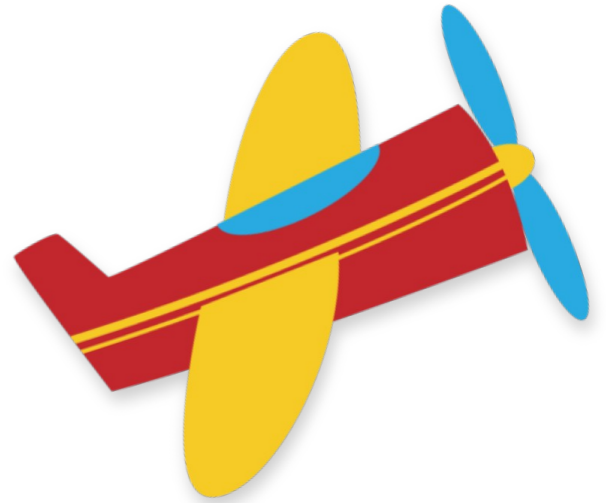


Review





Talk





THANKS

