



Logic

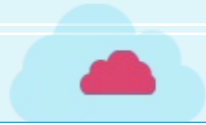
Space



Coding



Focus



Classroom Discipline

01

Please sit down and keep quiet in class.

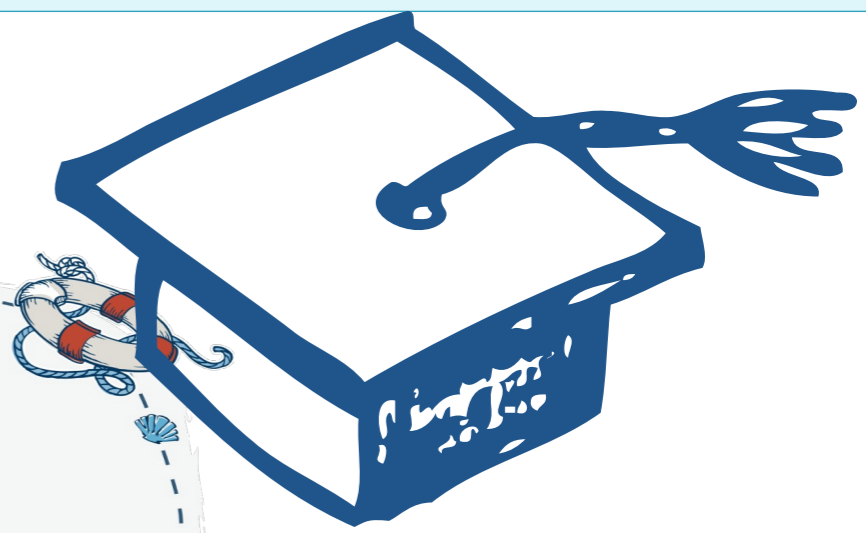
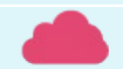
02

Please raise your hand if you have any questions

03

Please observe carefully when the pictures are played.



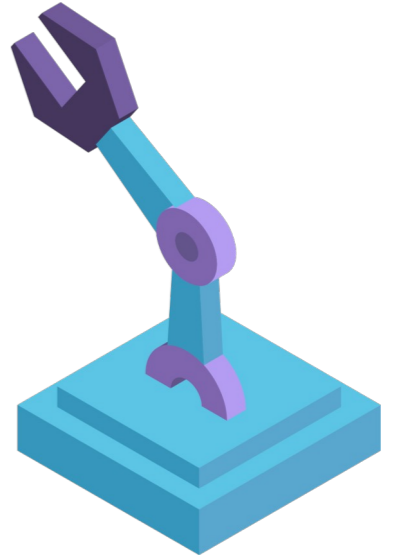


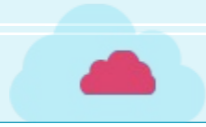
The Harvest Season





Think





1. Which season is the harvest season?
2. Where does the rice that students usually eat come from?





Rice Planting



cultivate



Rice ears

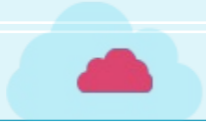


Rice



paddy



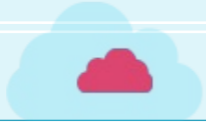


Explore

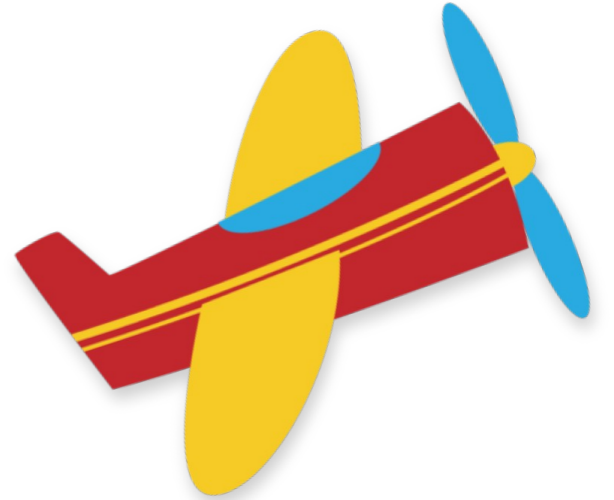


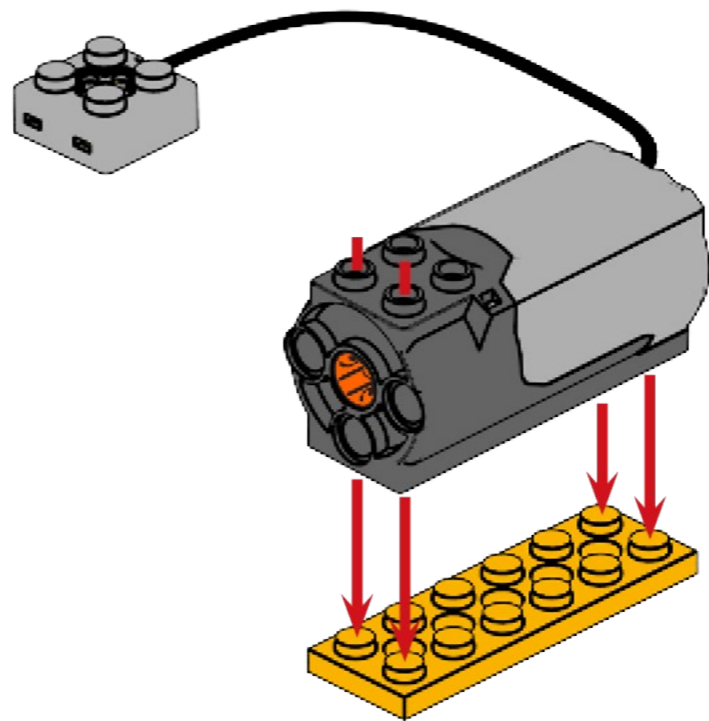
1. What does a rice huller look like? And how do people turn rice grains into polished rice?



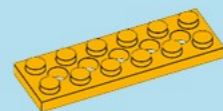


Build

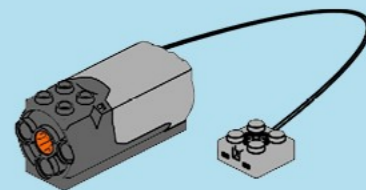




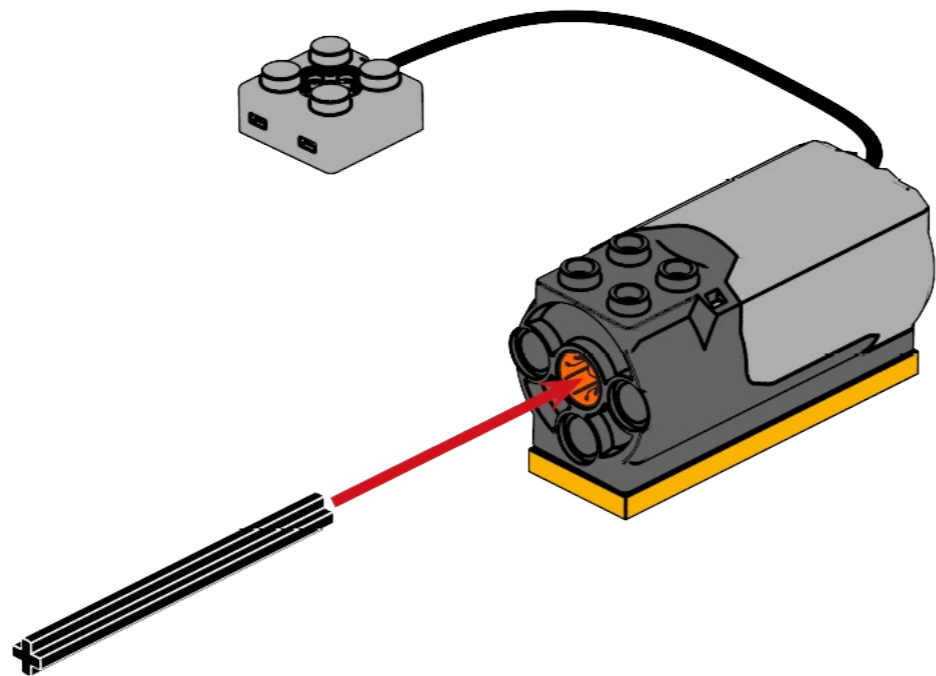
2x6



x1



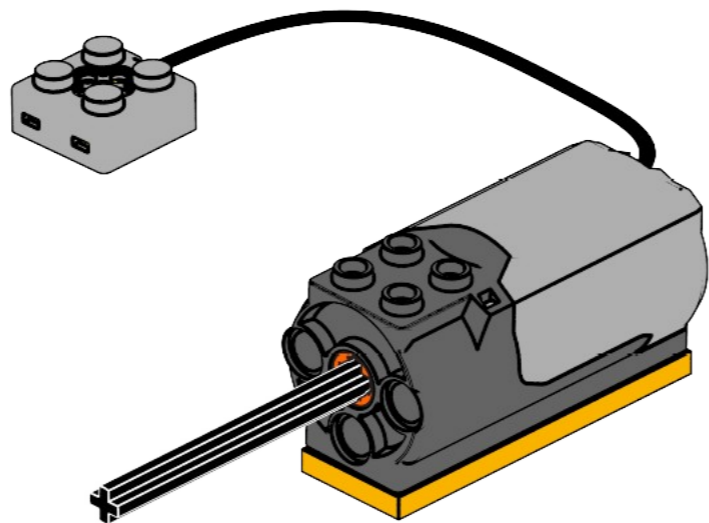
x1



6



x1

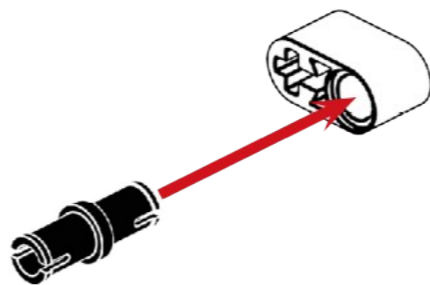


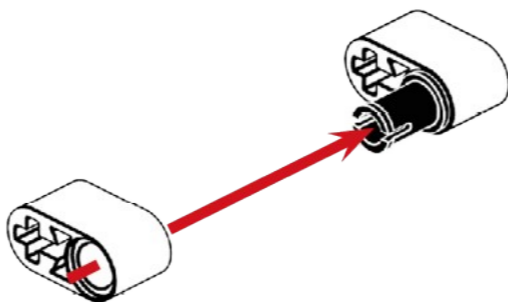
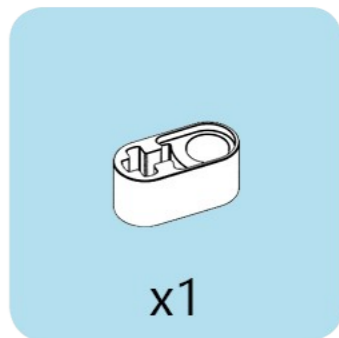


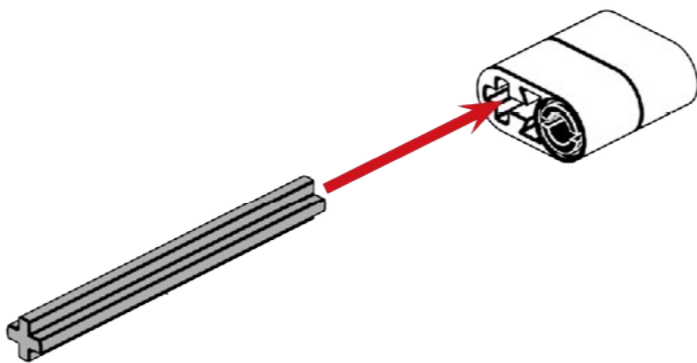
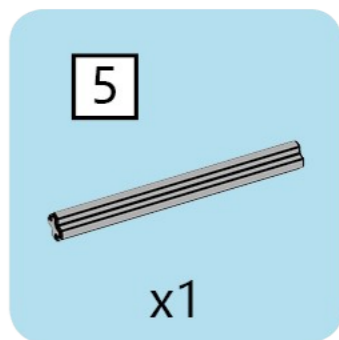
x1

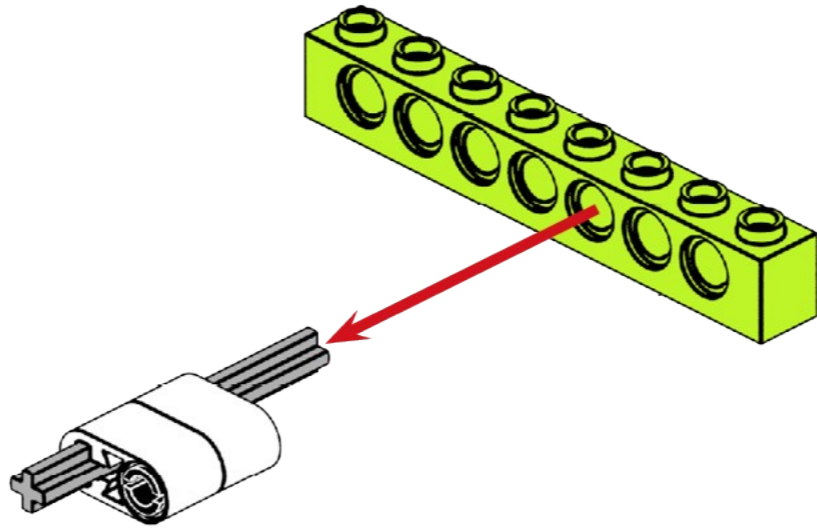
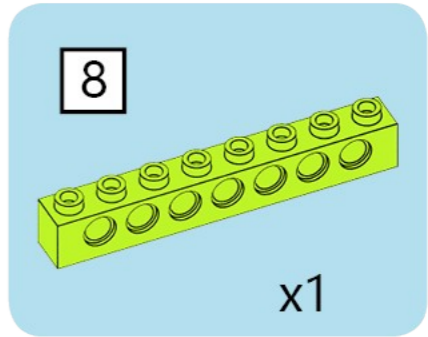


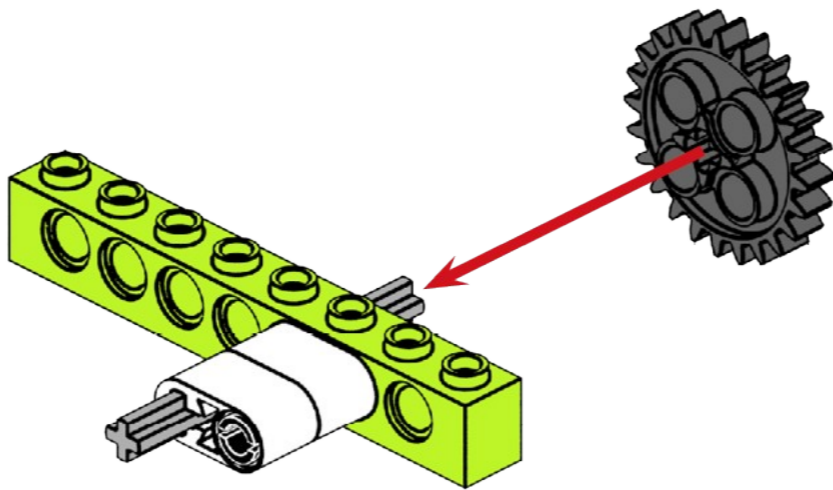
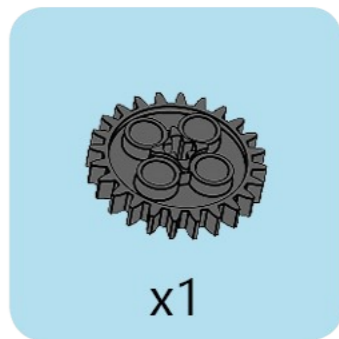
x1

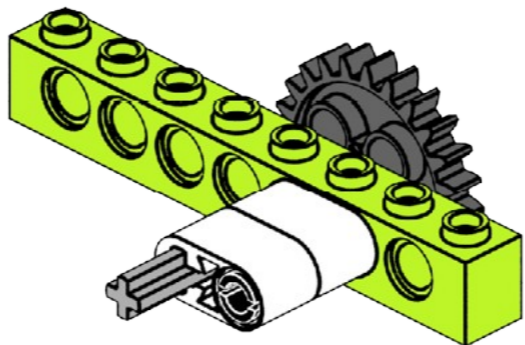


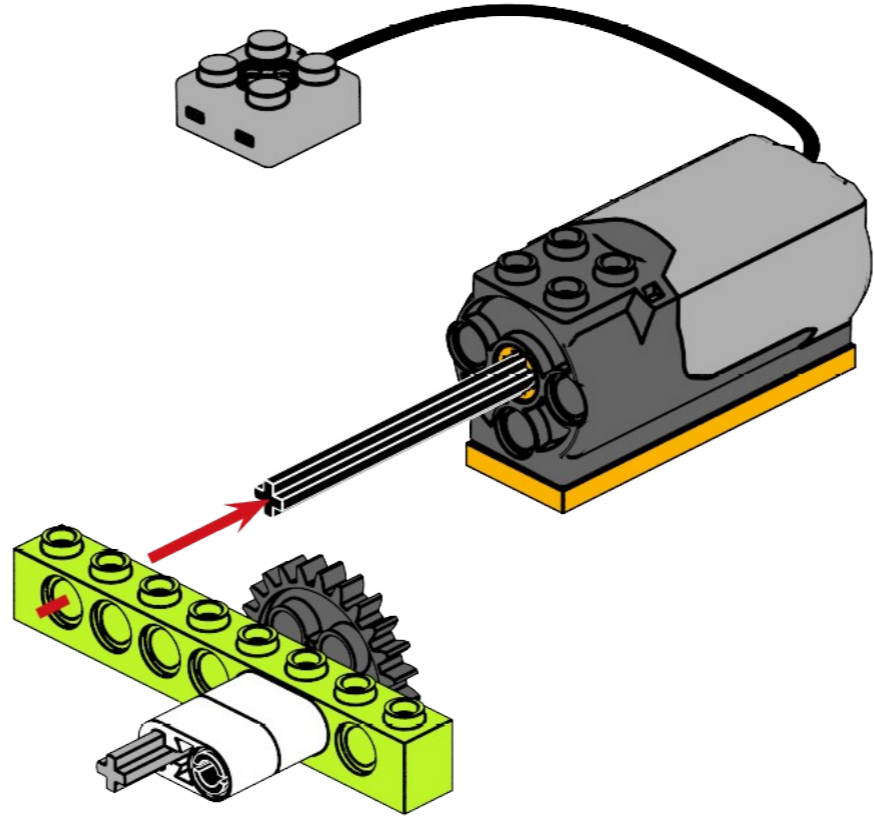


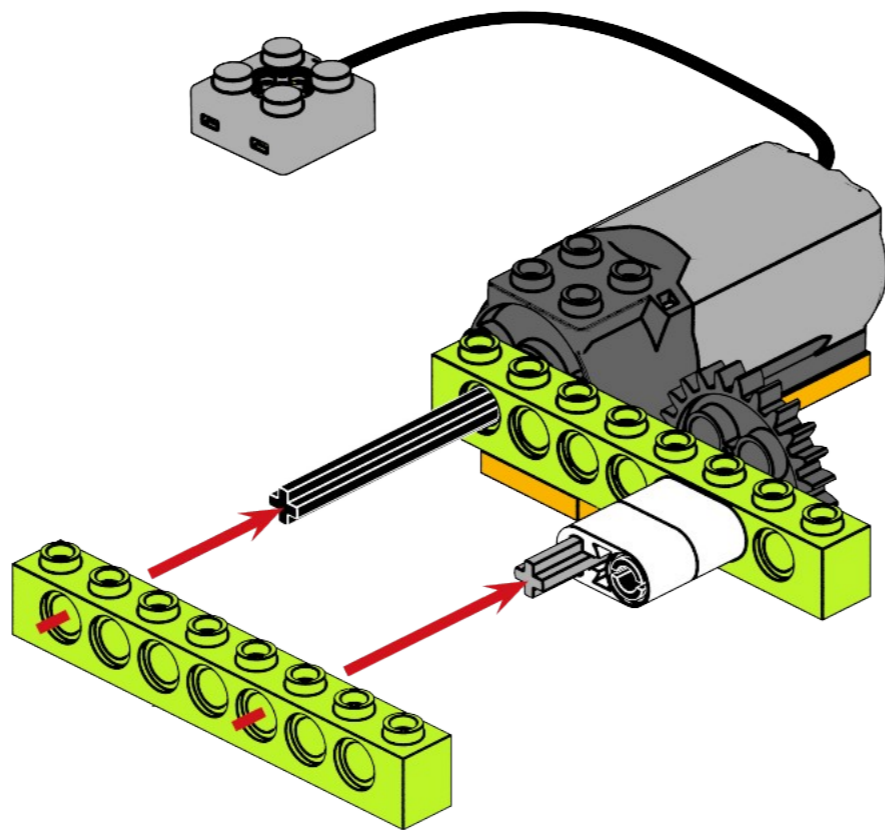




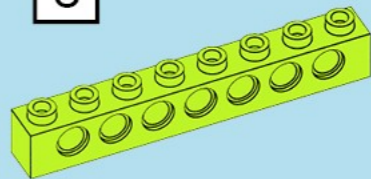




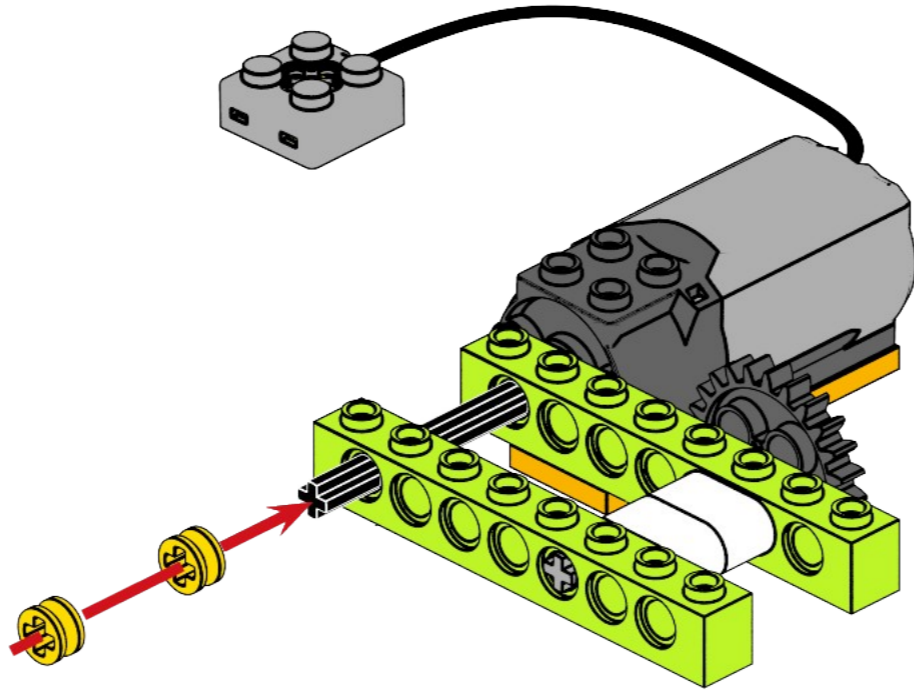




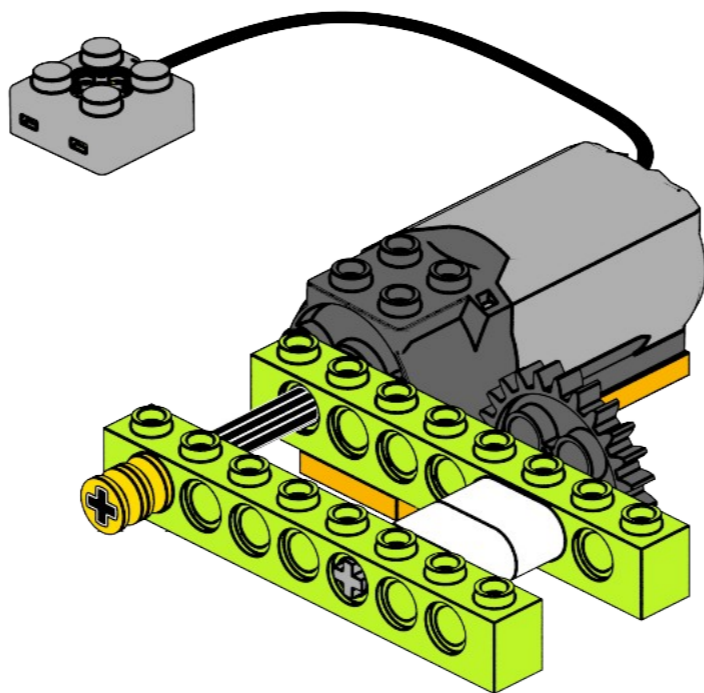
8

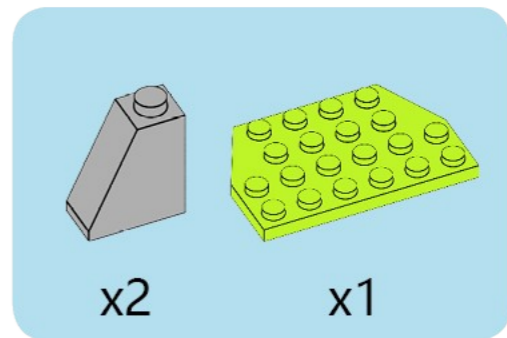
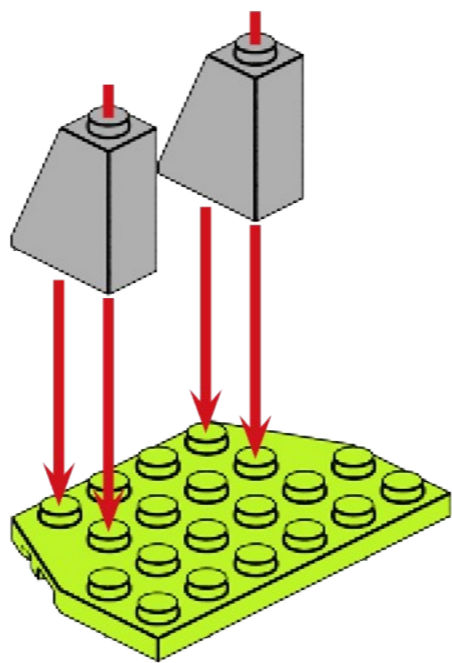


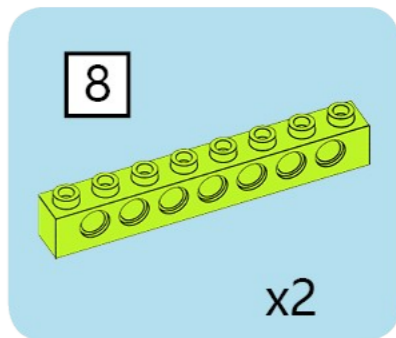
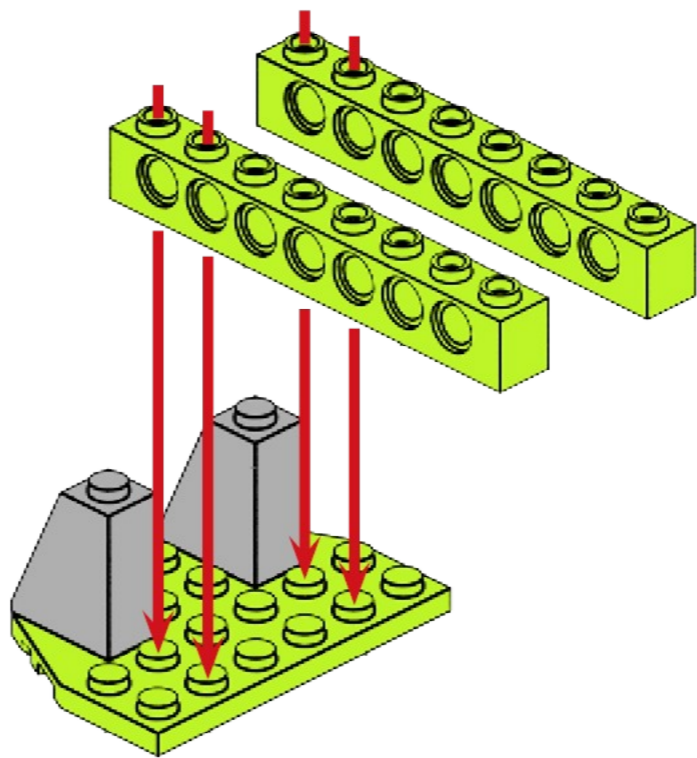
x1

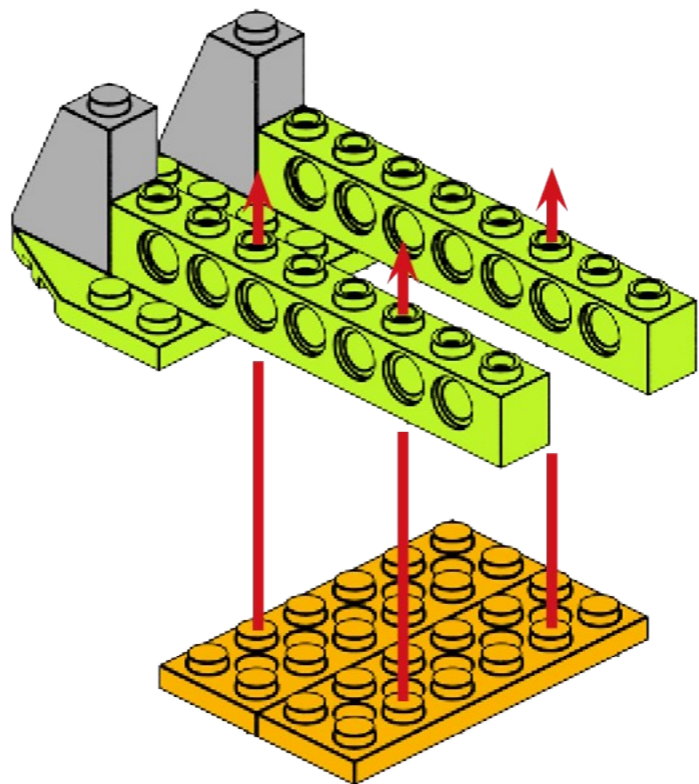
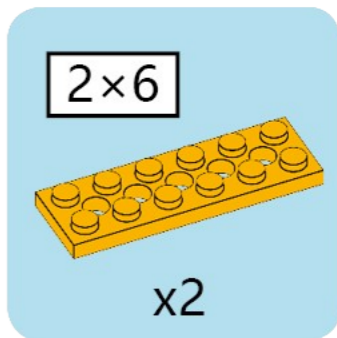


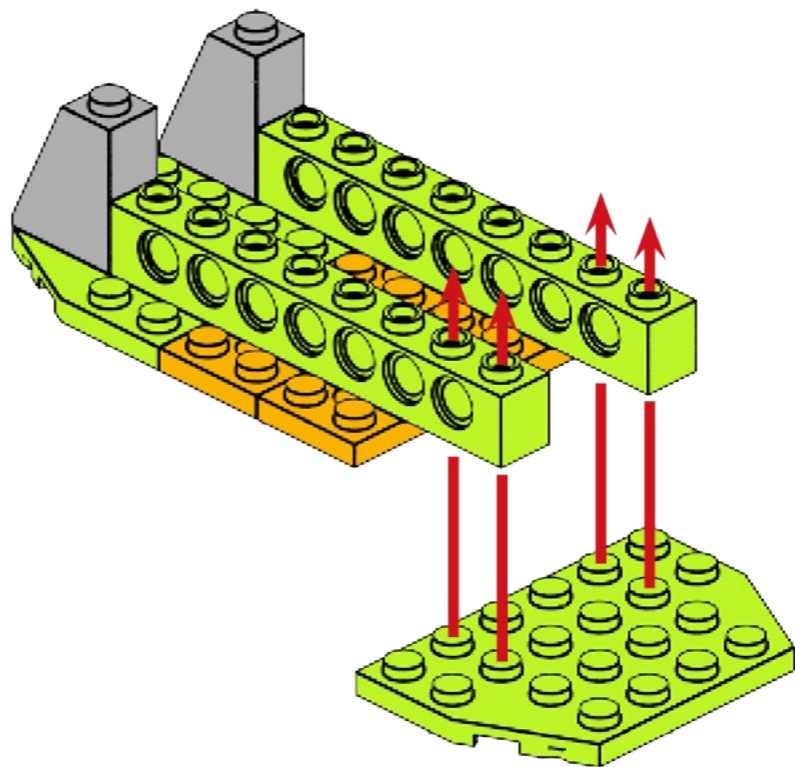
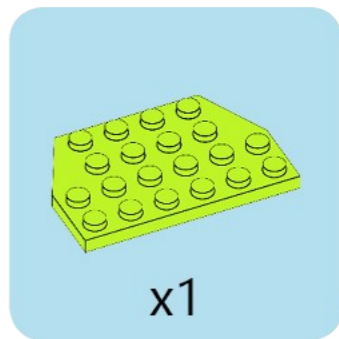
x2

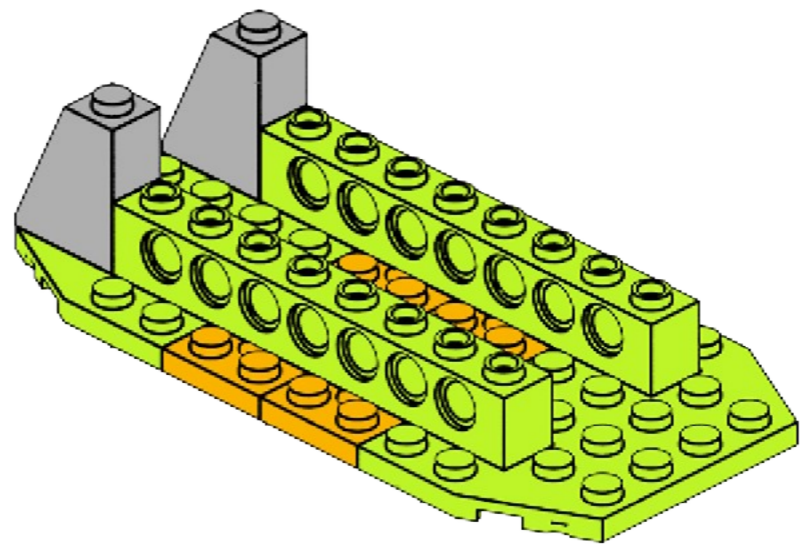


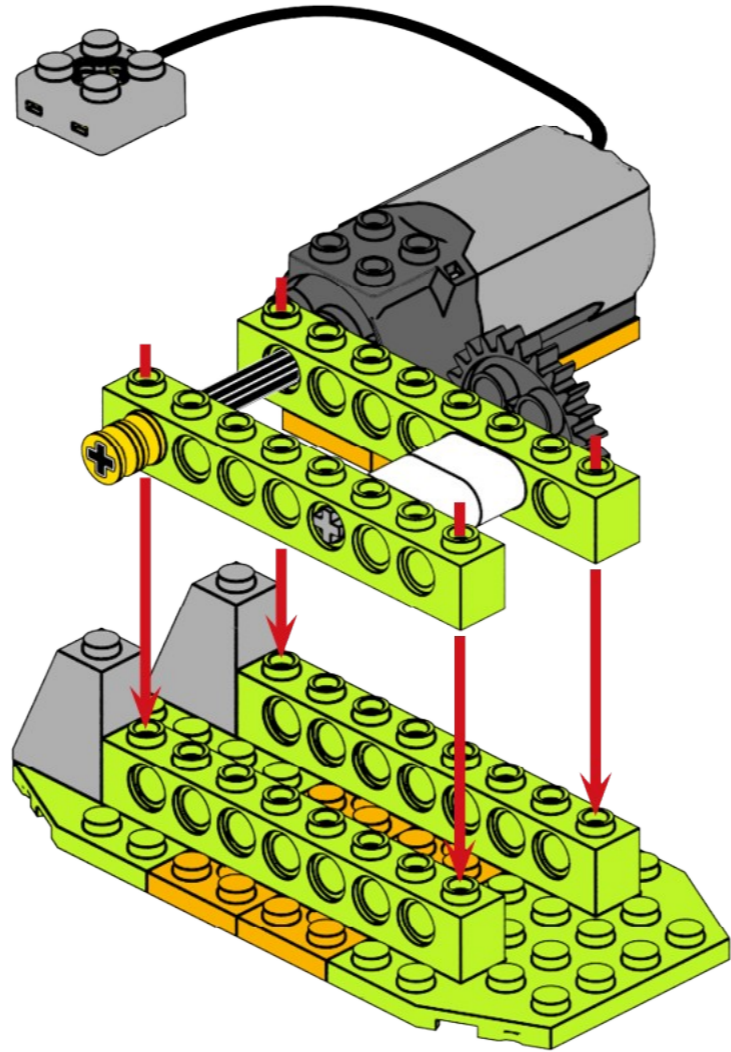


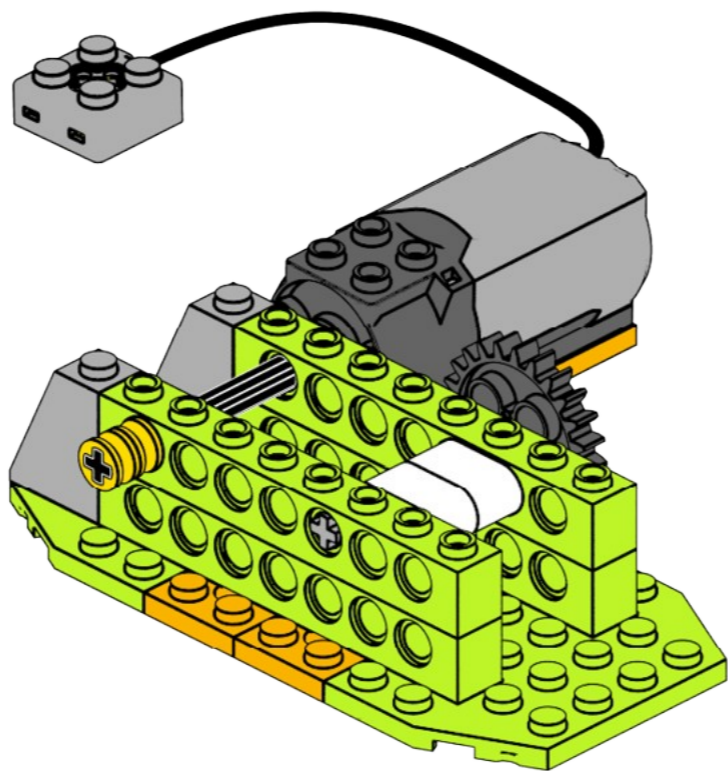


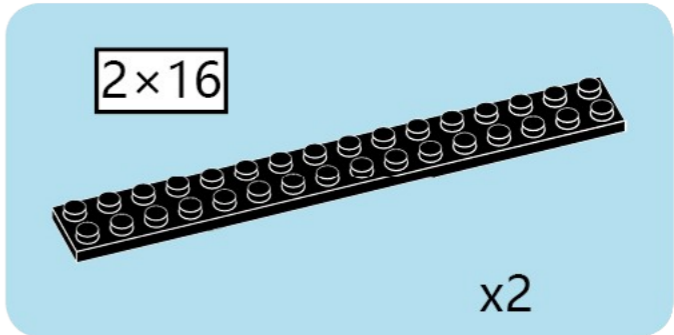
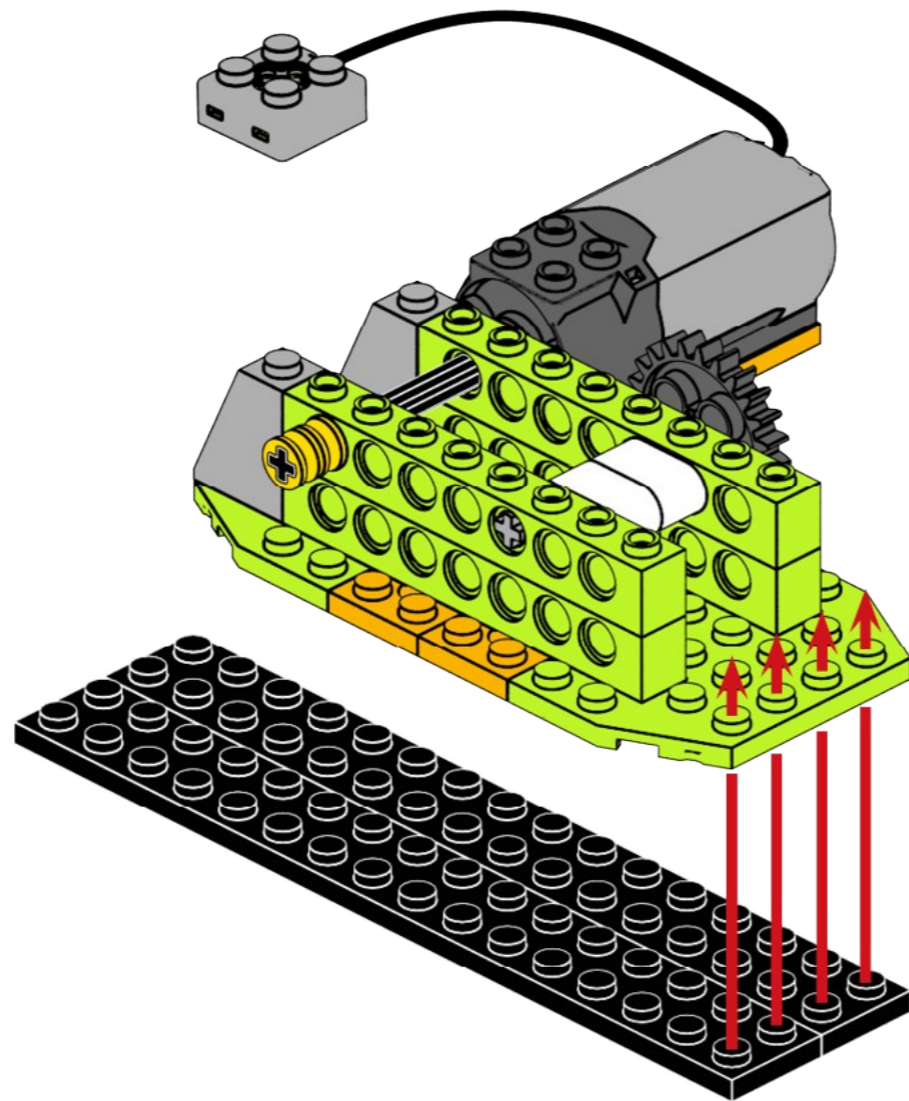


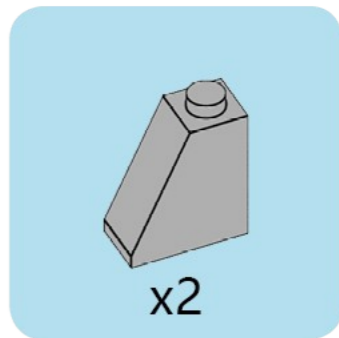
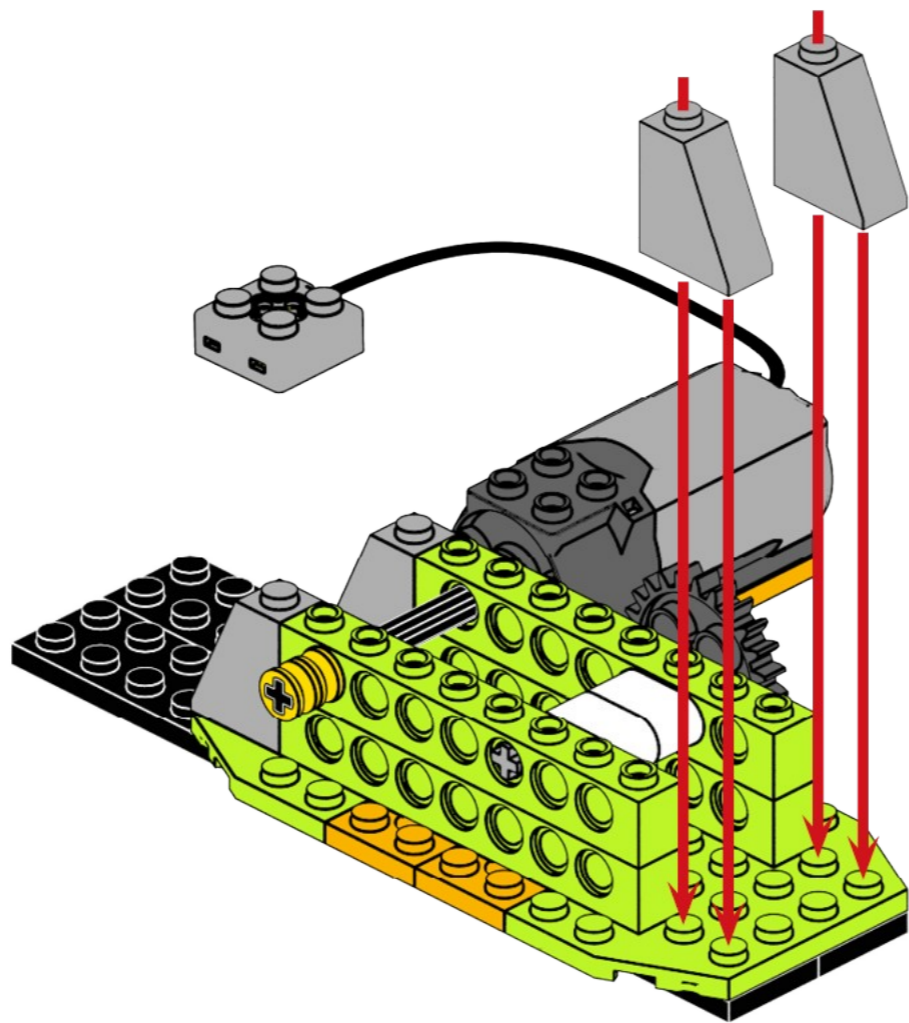


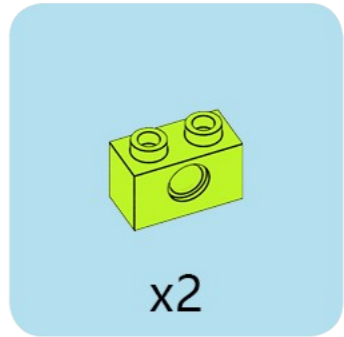
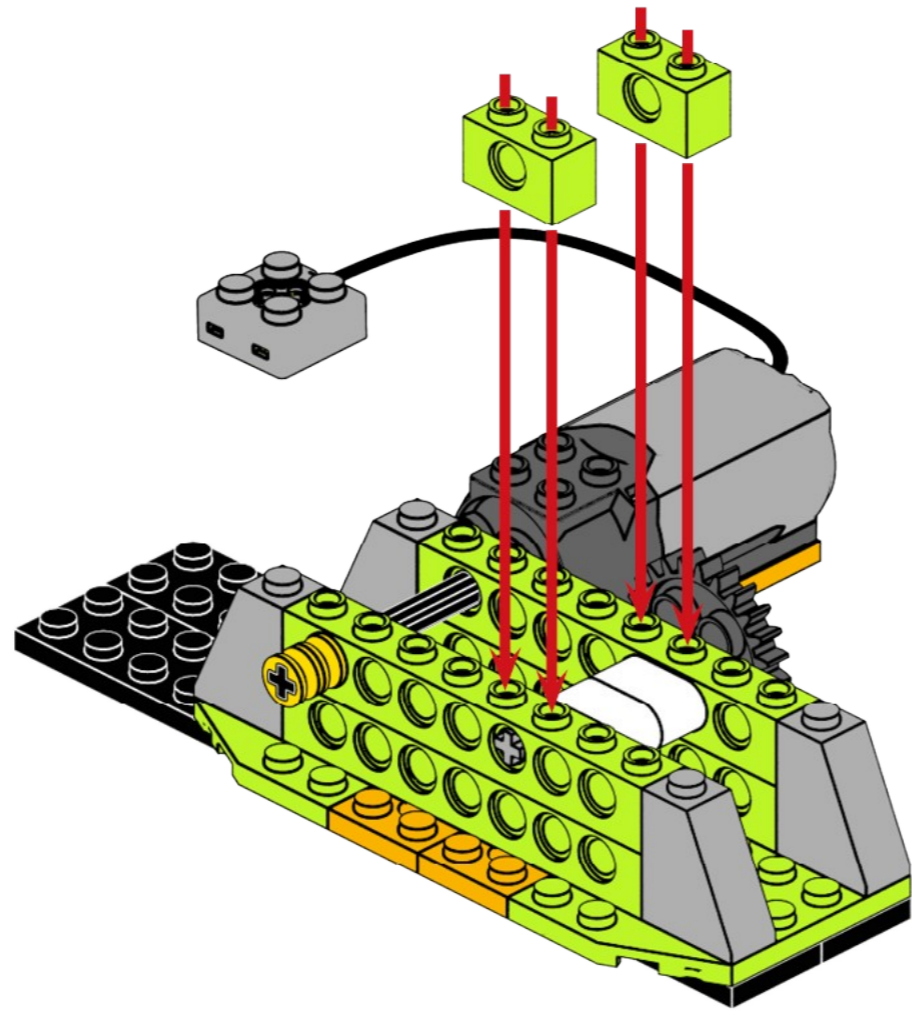


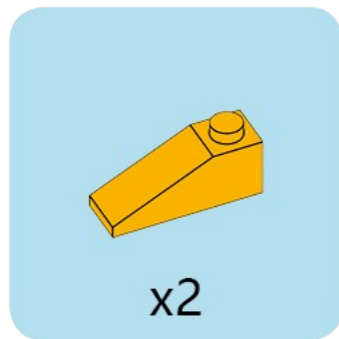
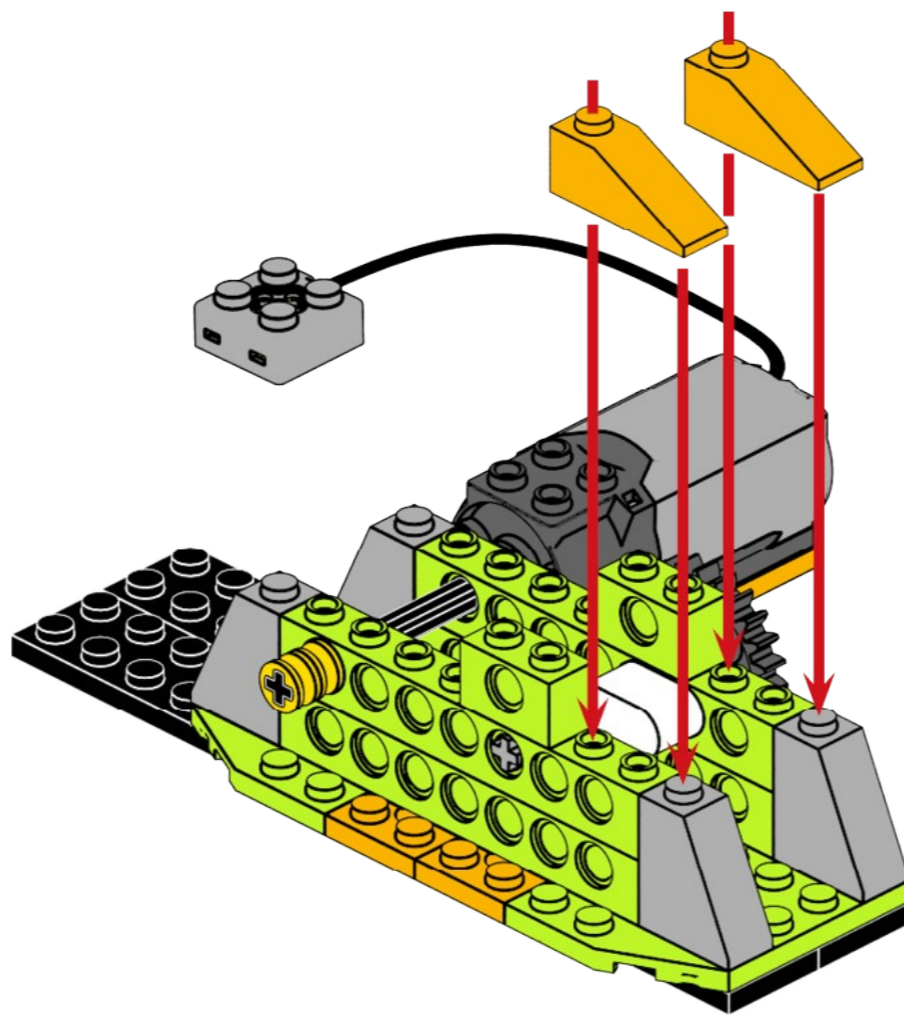


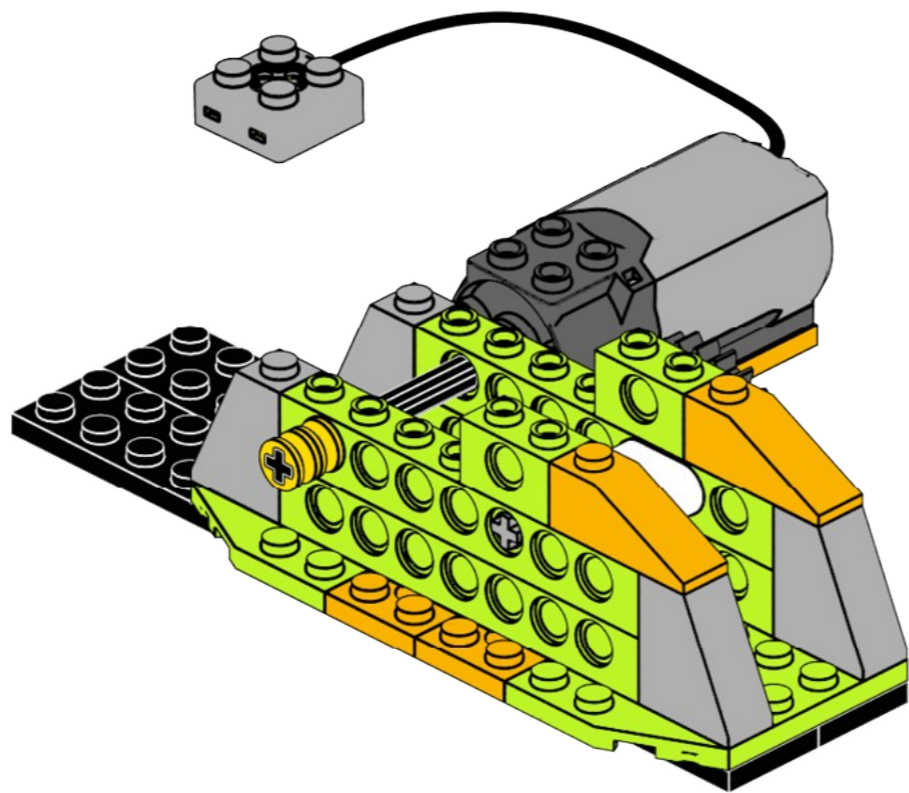


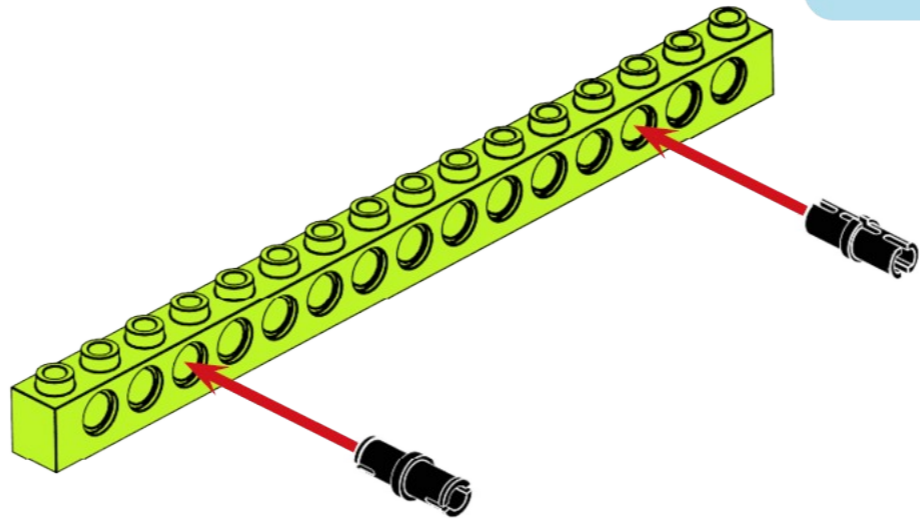
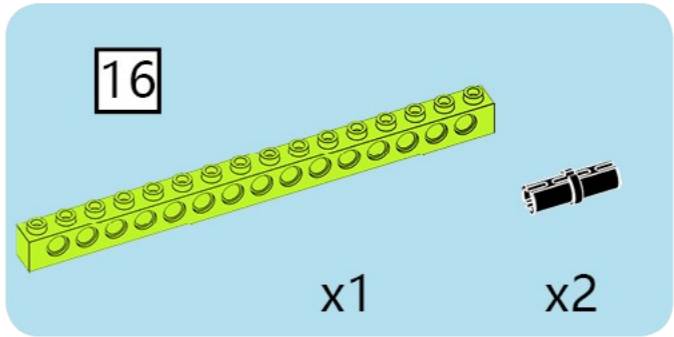


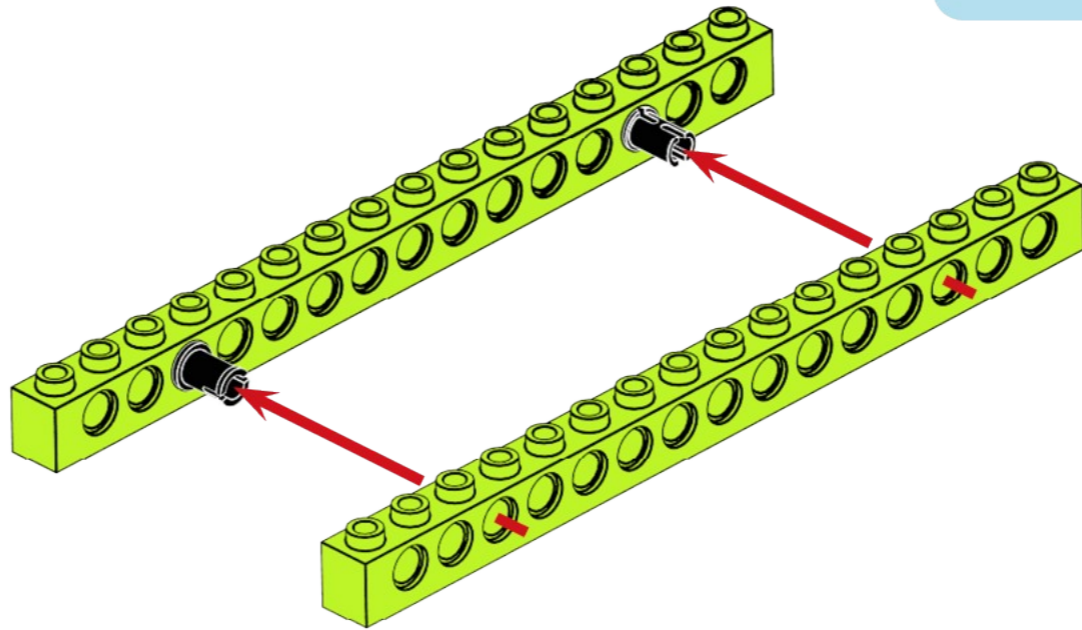
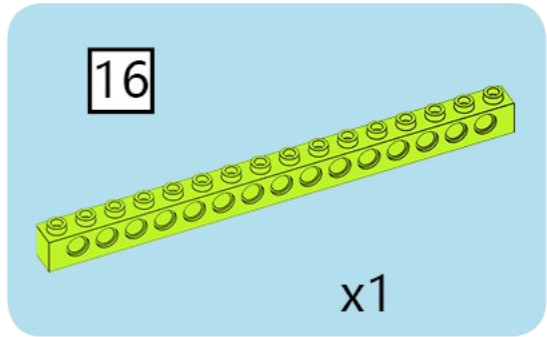


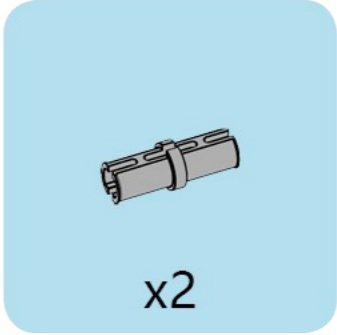
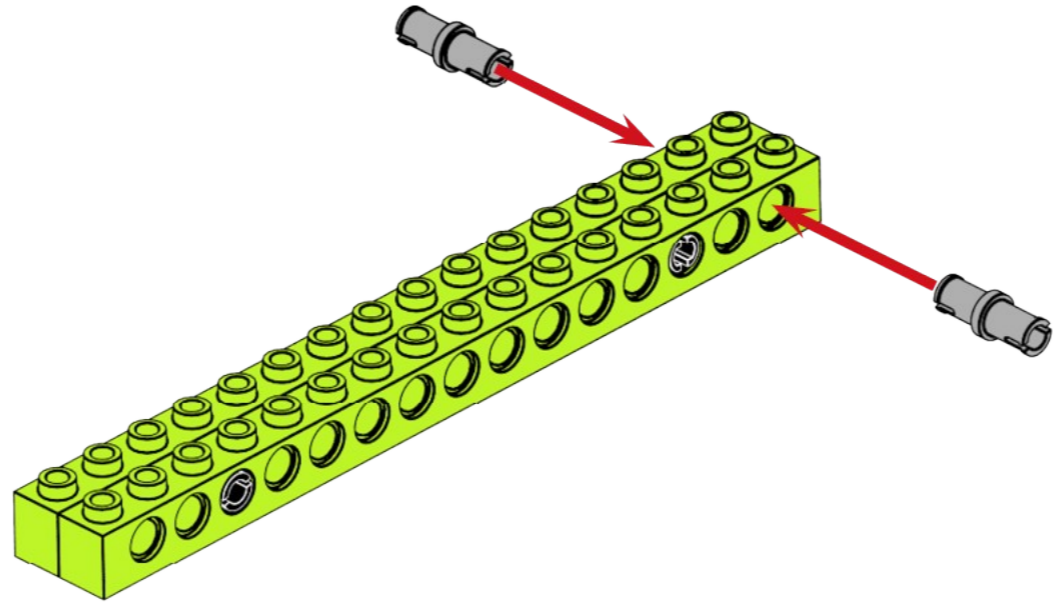


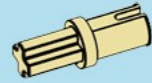
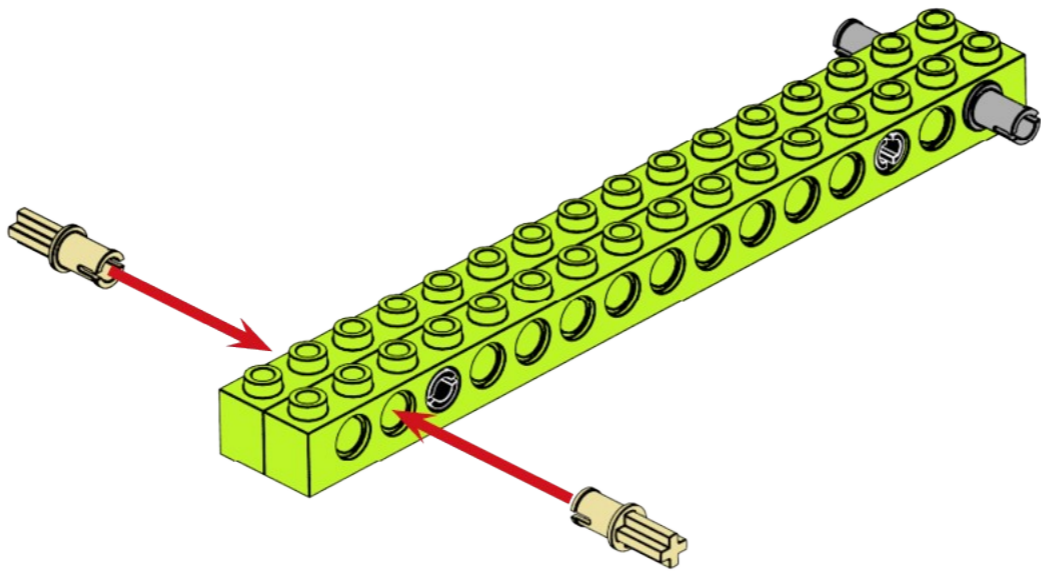




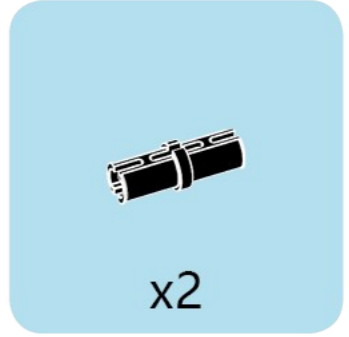
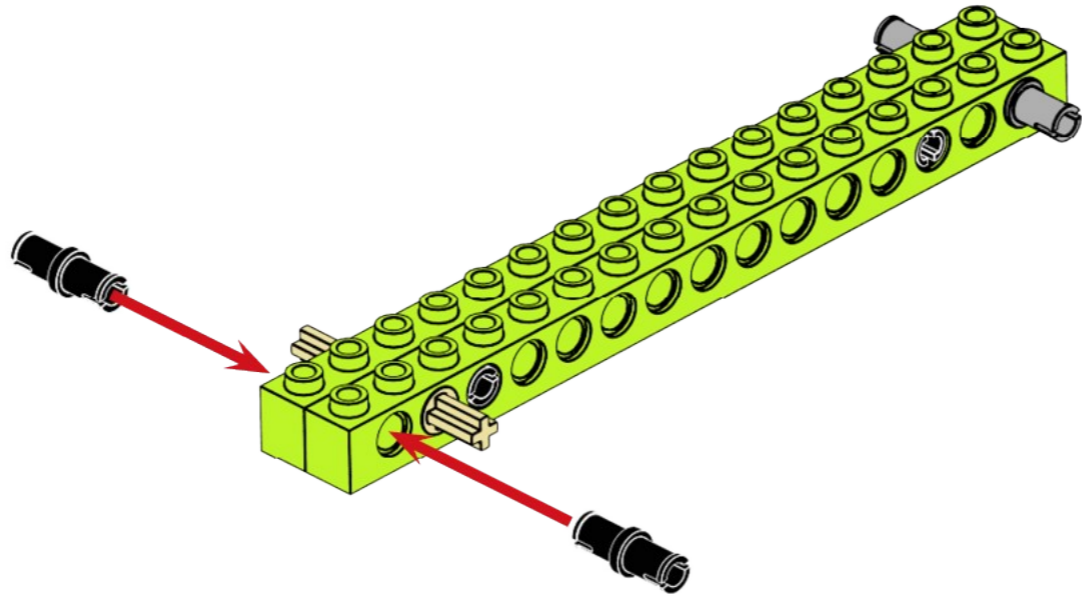


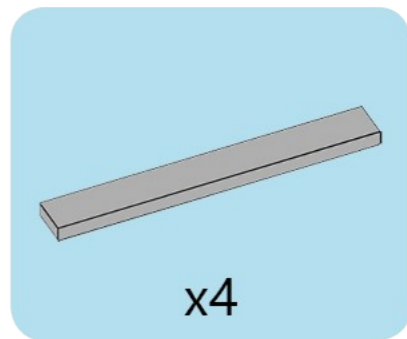
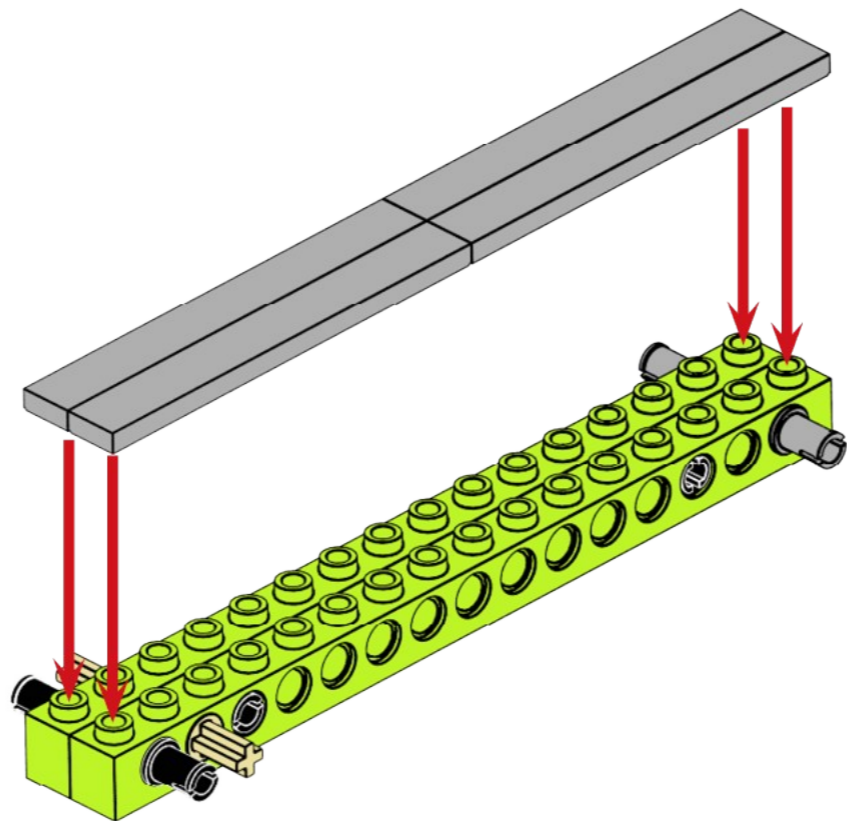


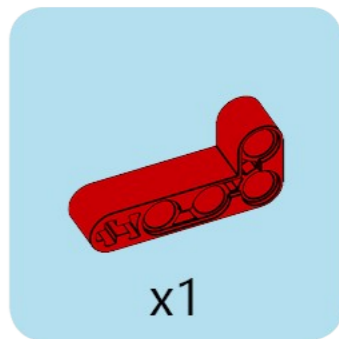
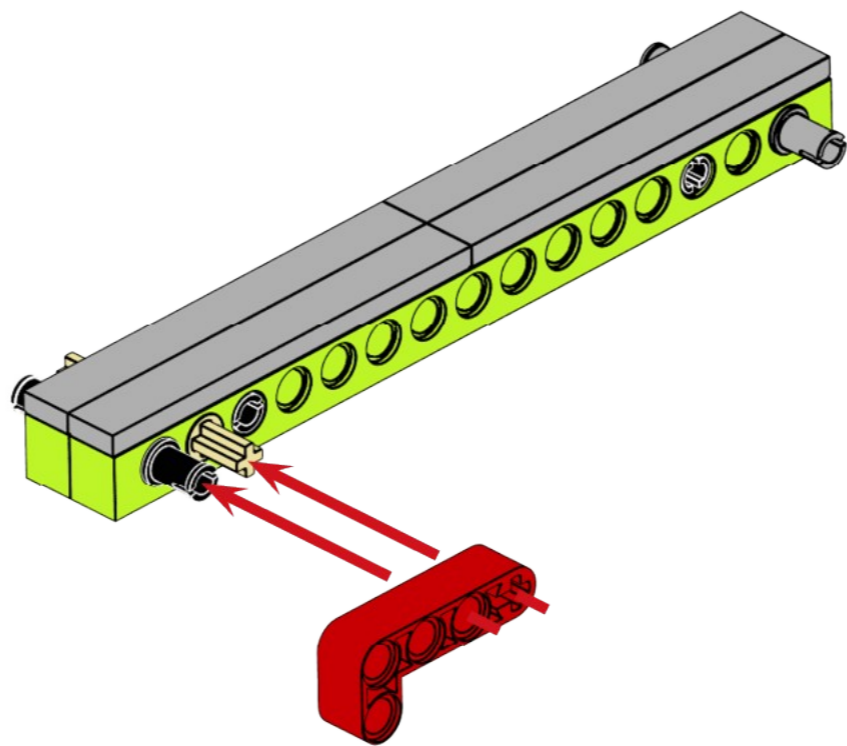


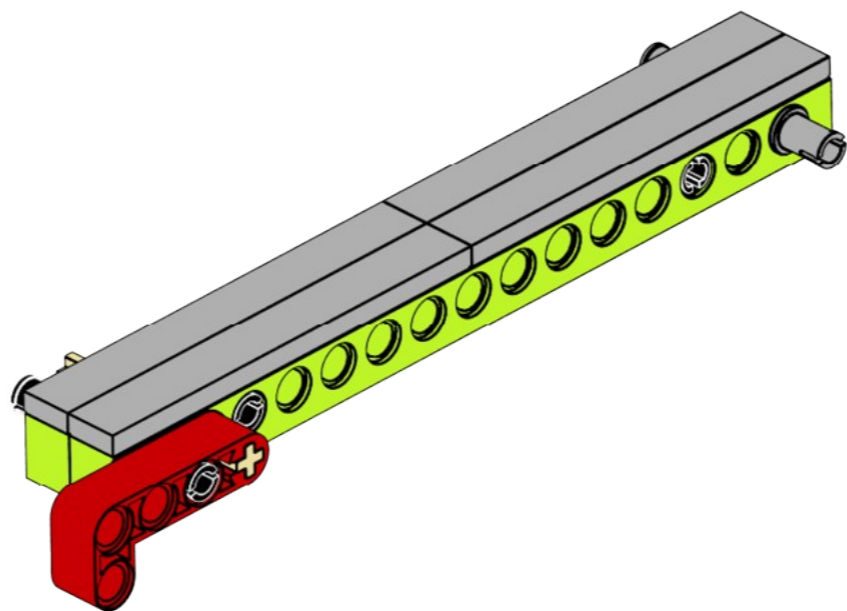


x2



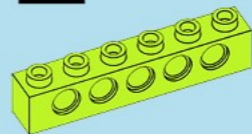








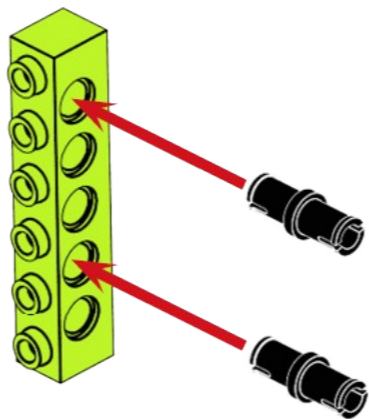
6



x1



x2

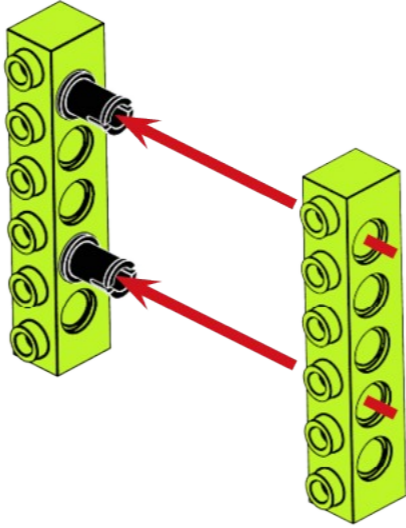


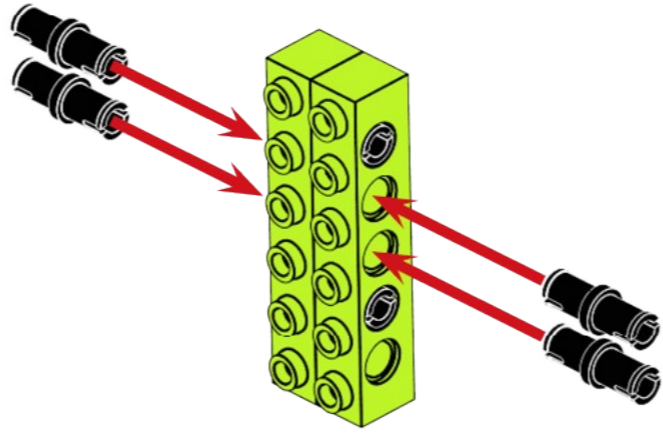
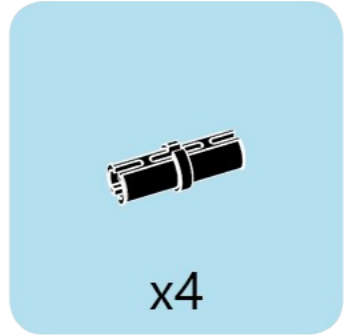


6



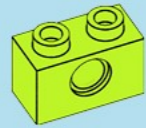
x1



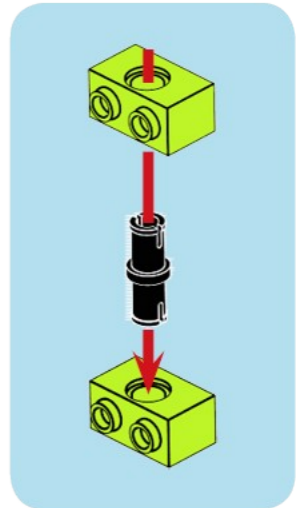
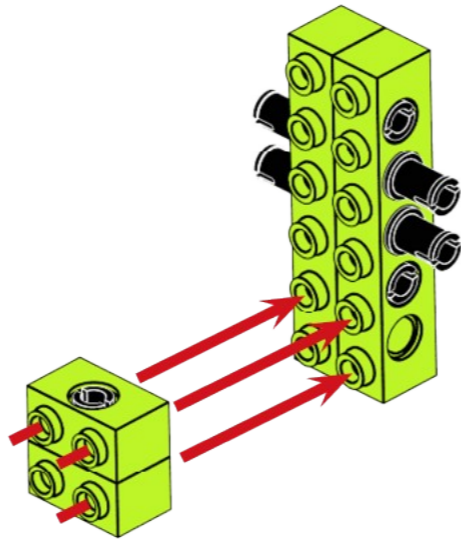


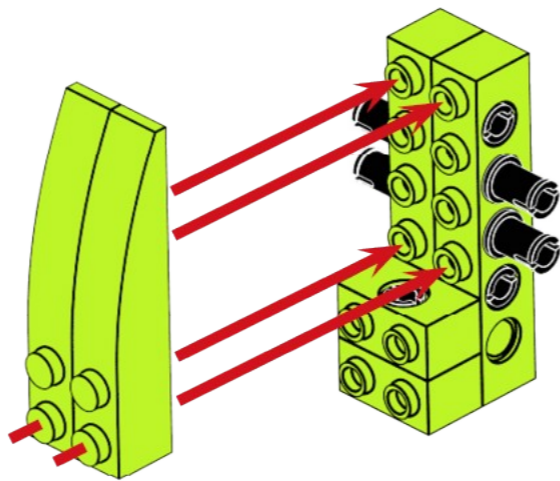
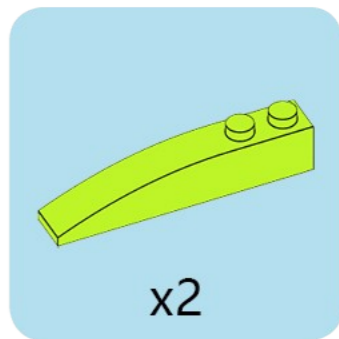


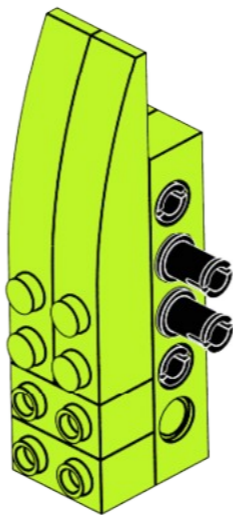
x1

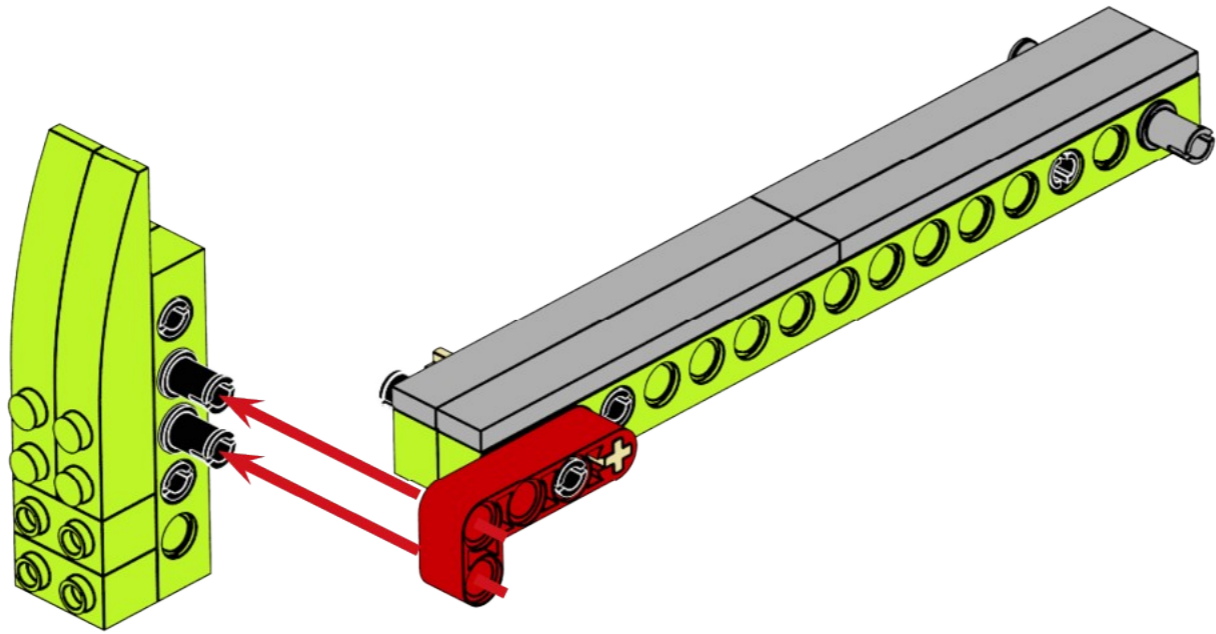


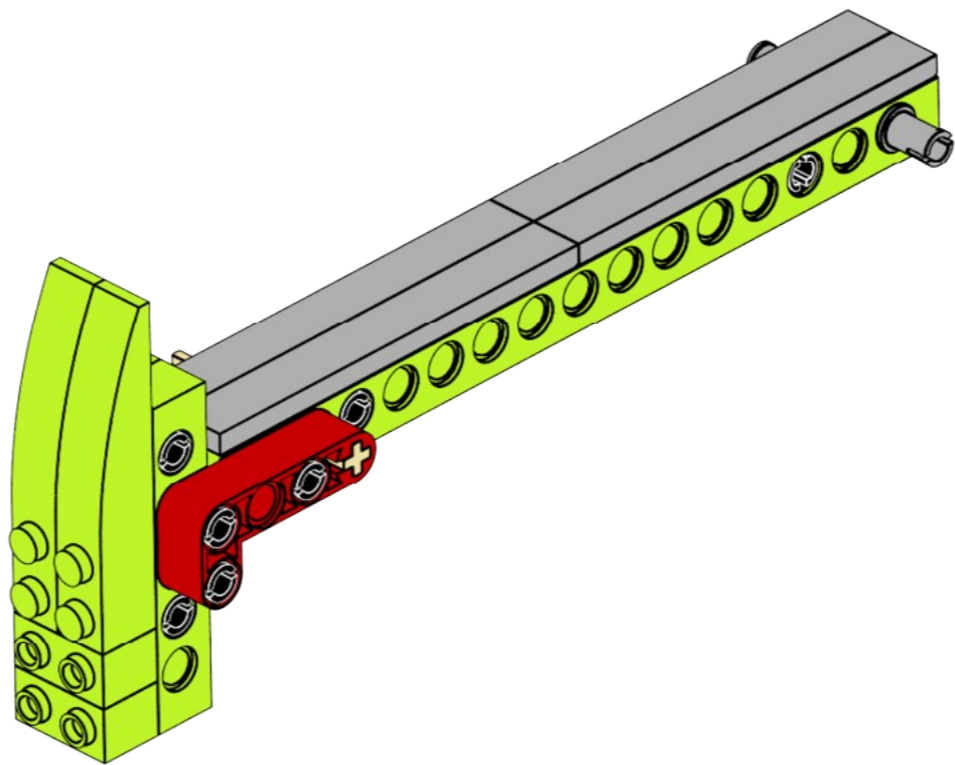
x2

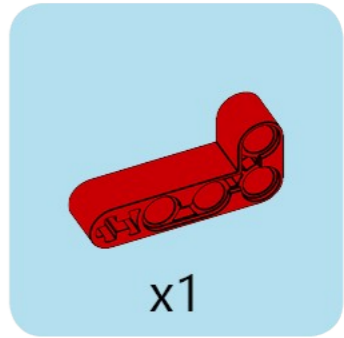
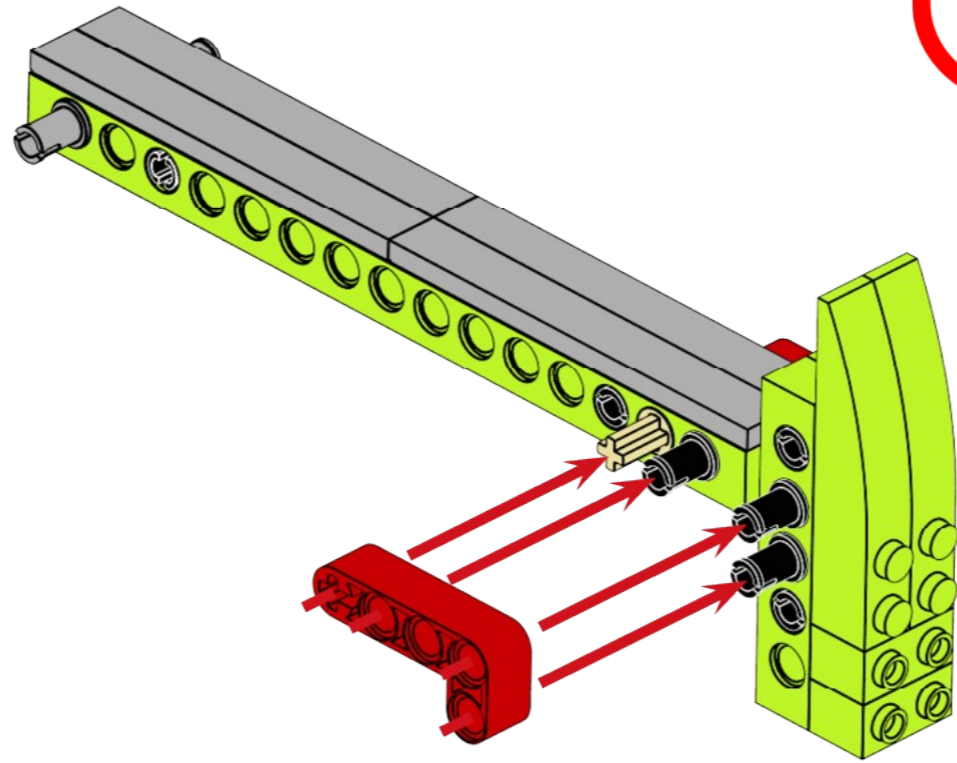


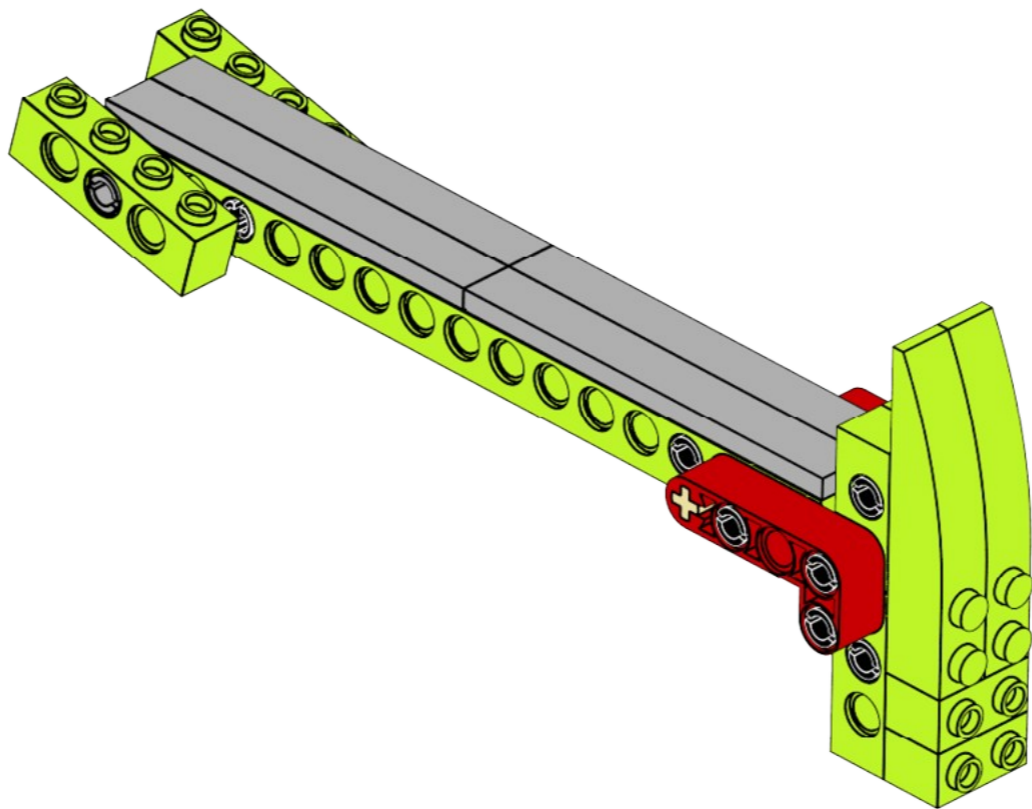


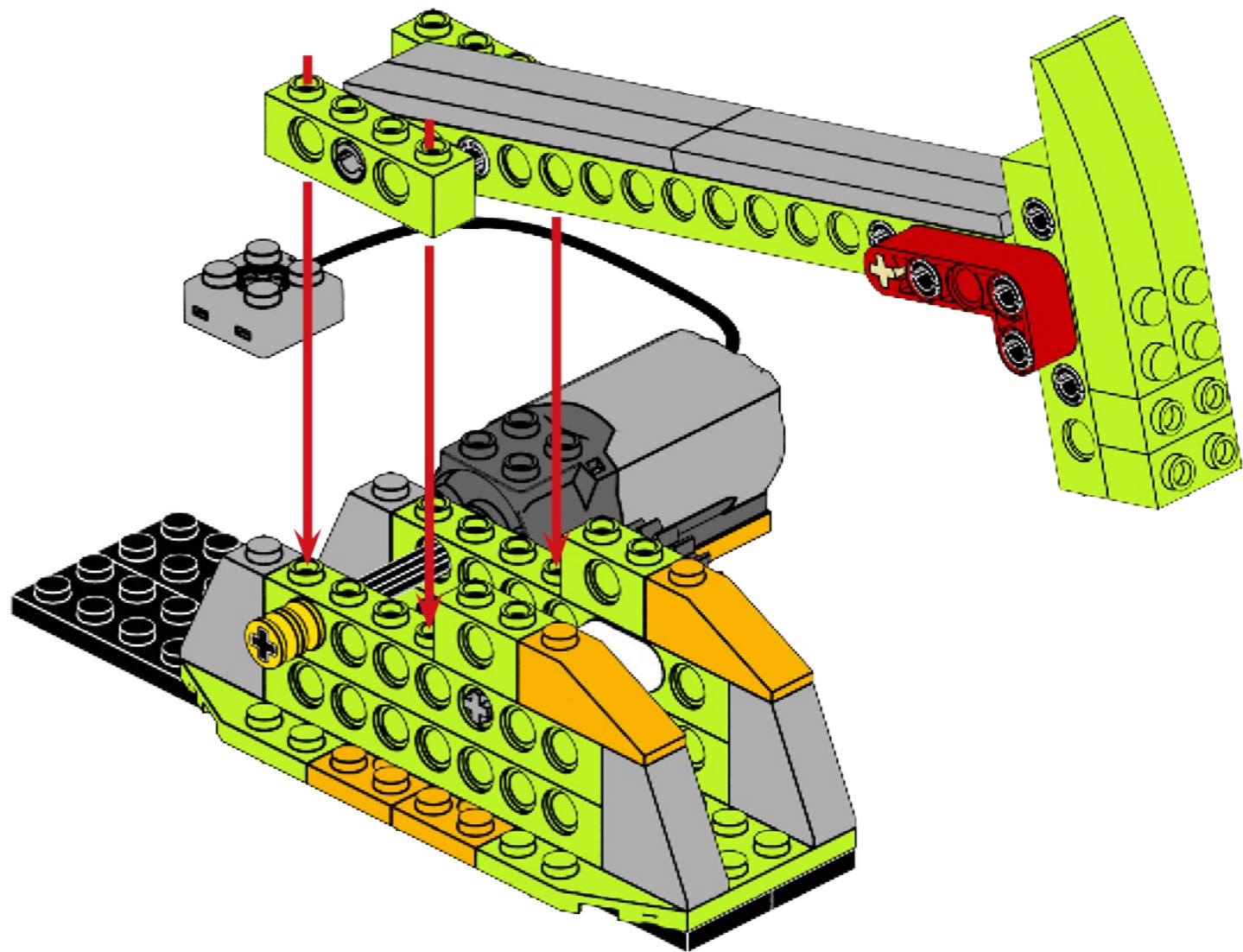


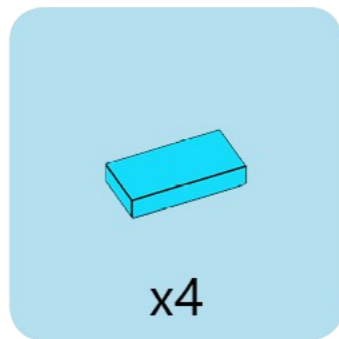
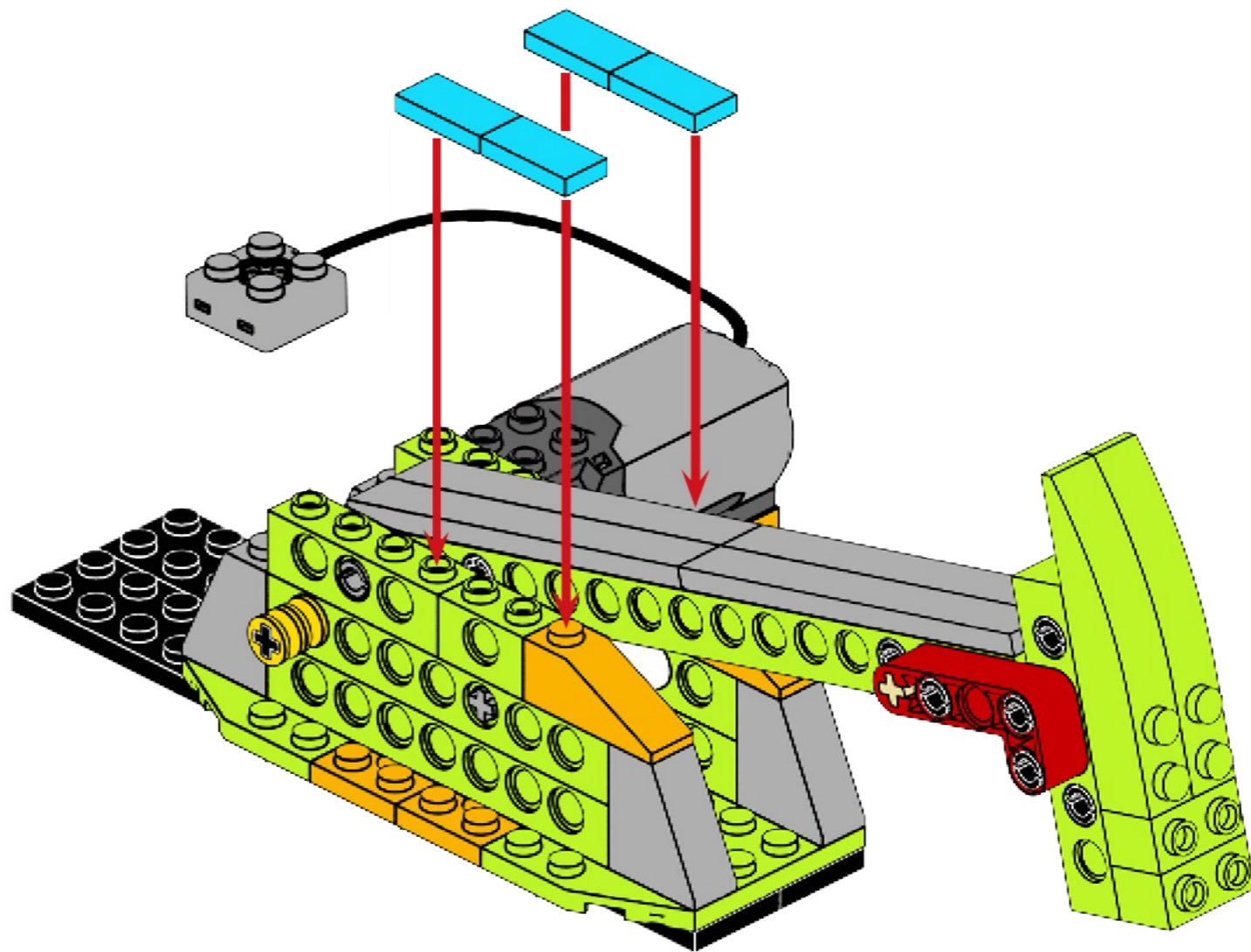


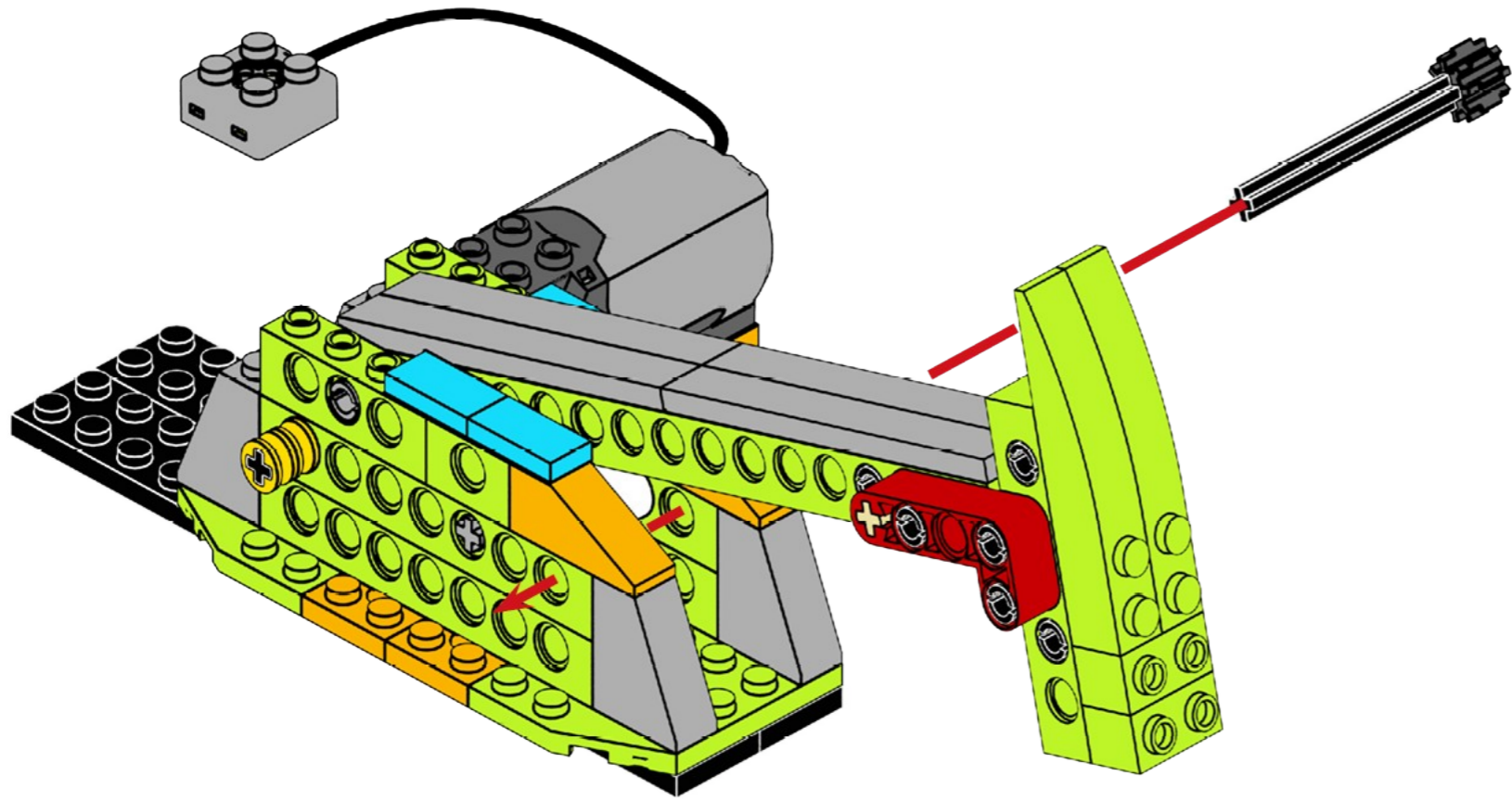









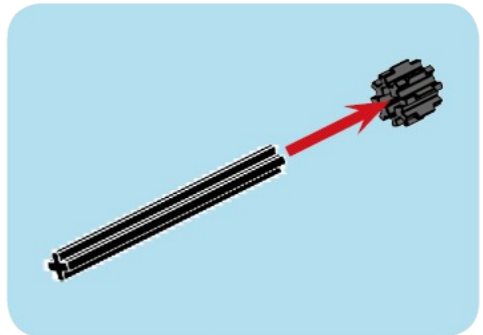


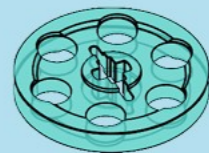
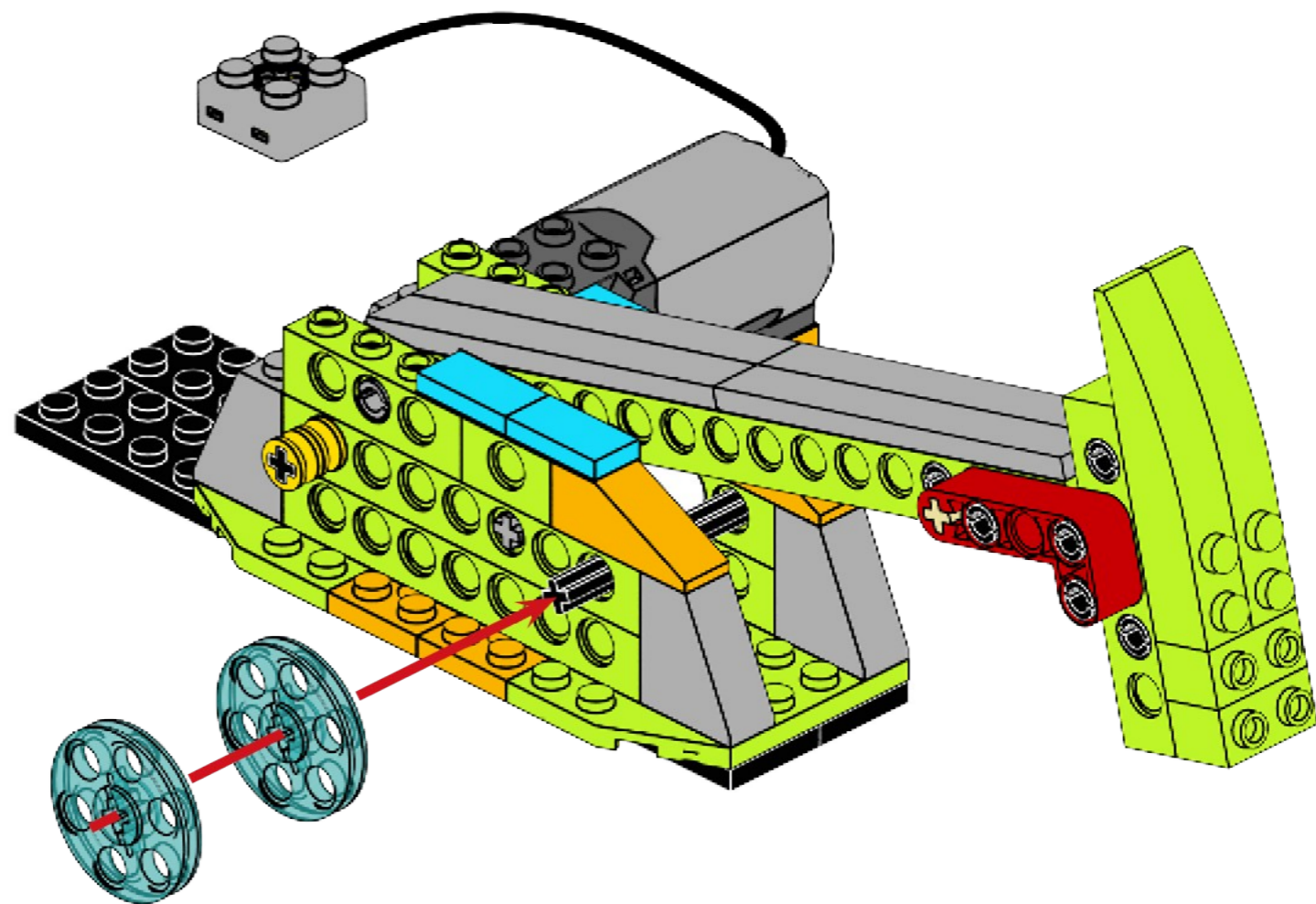


6

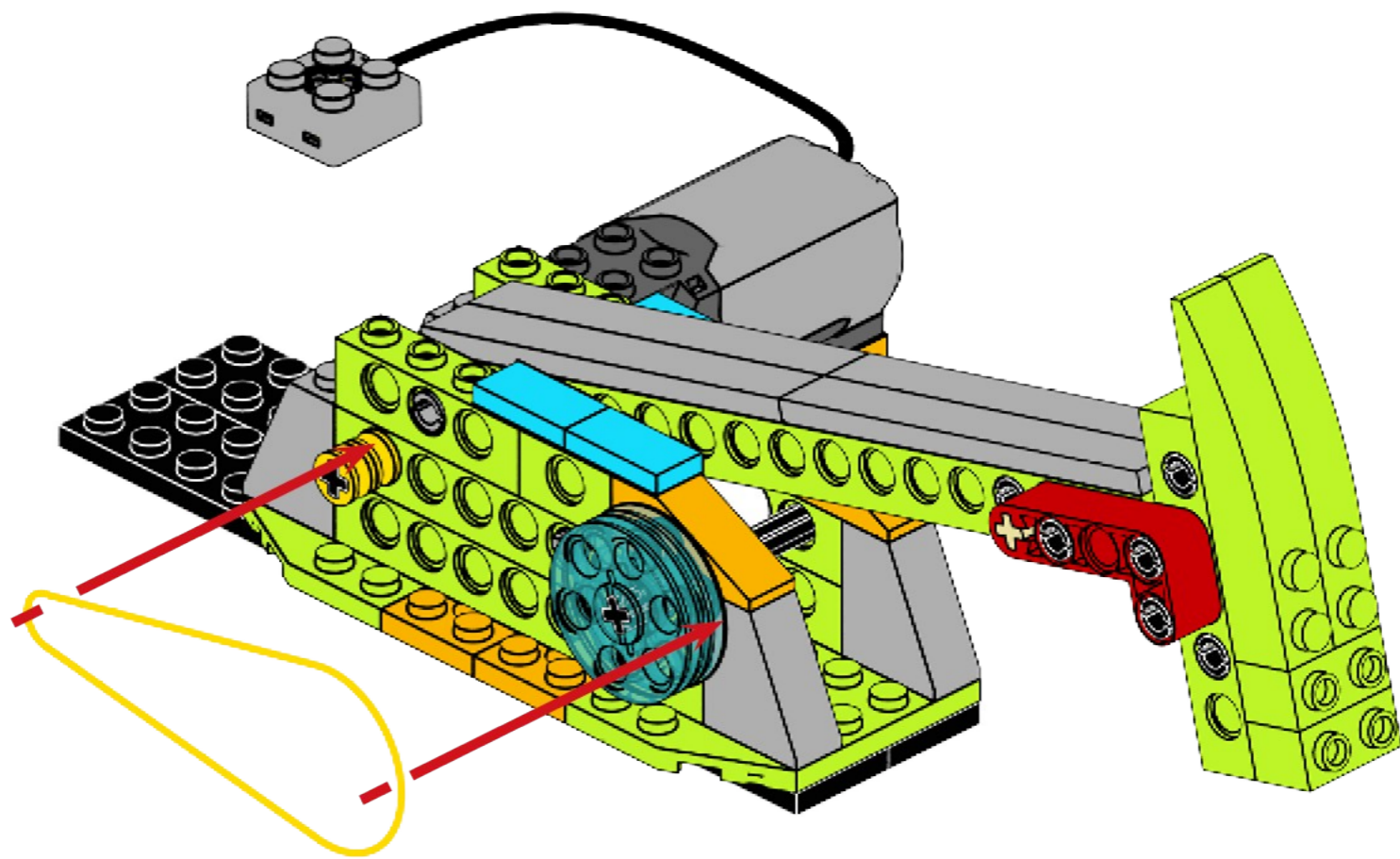


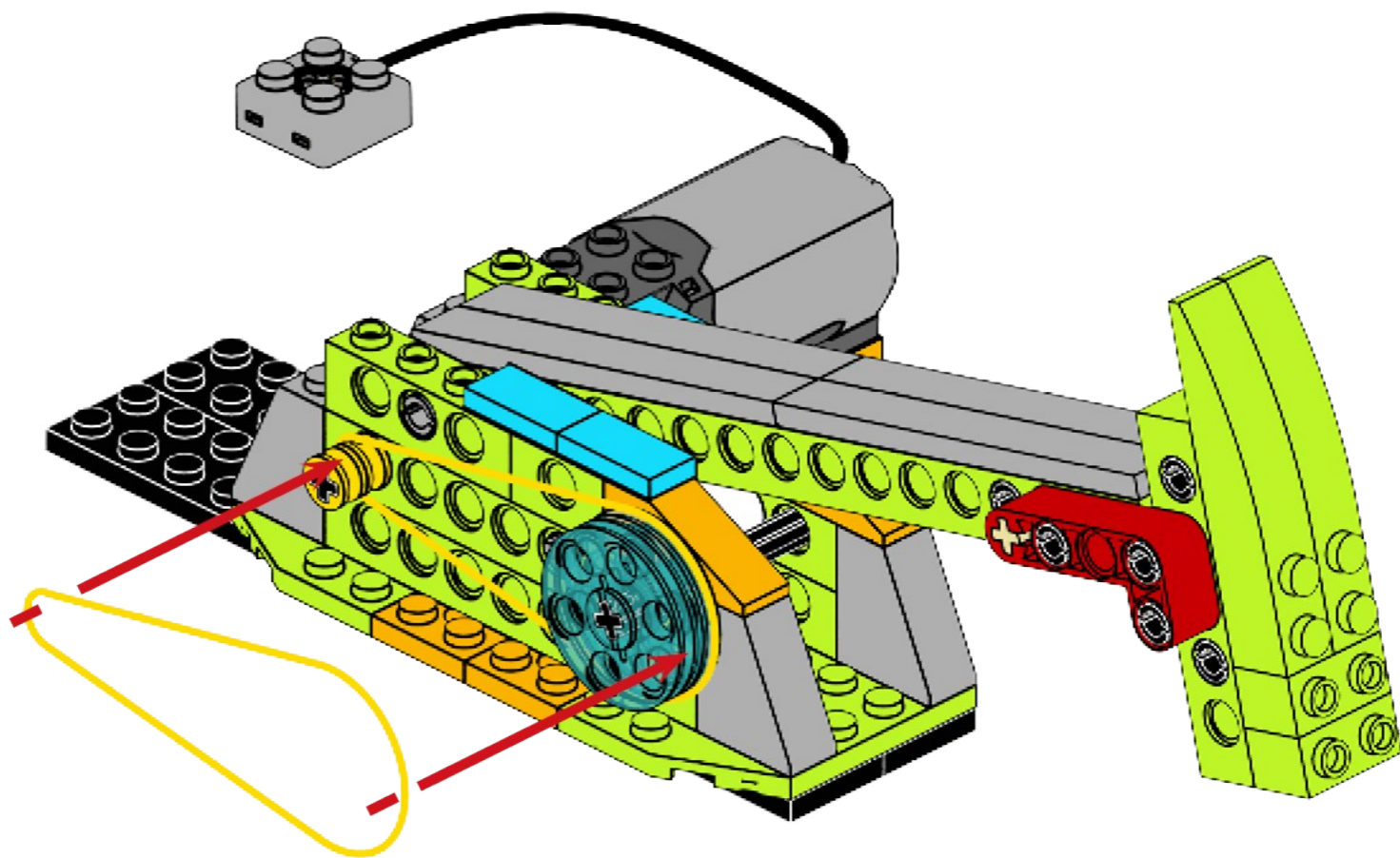
x1 x1

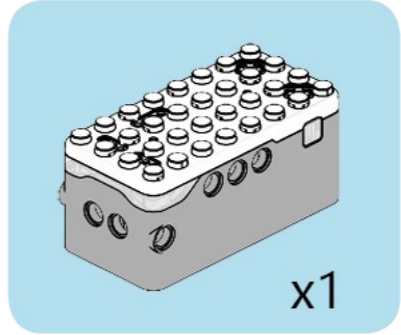
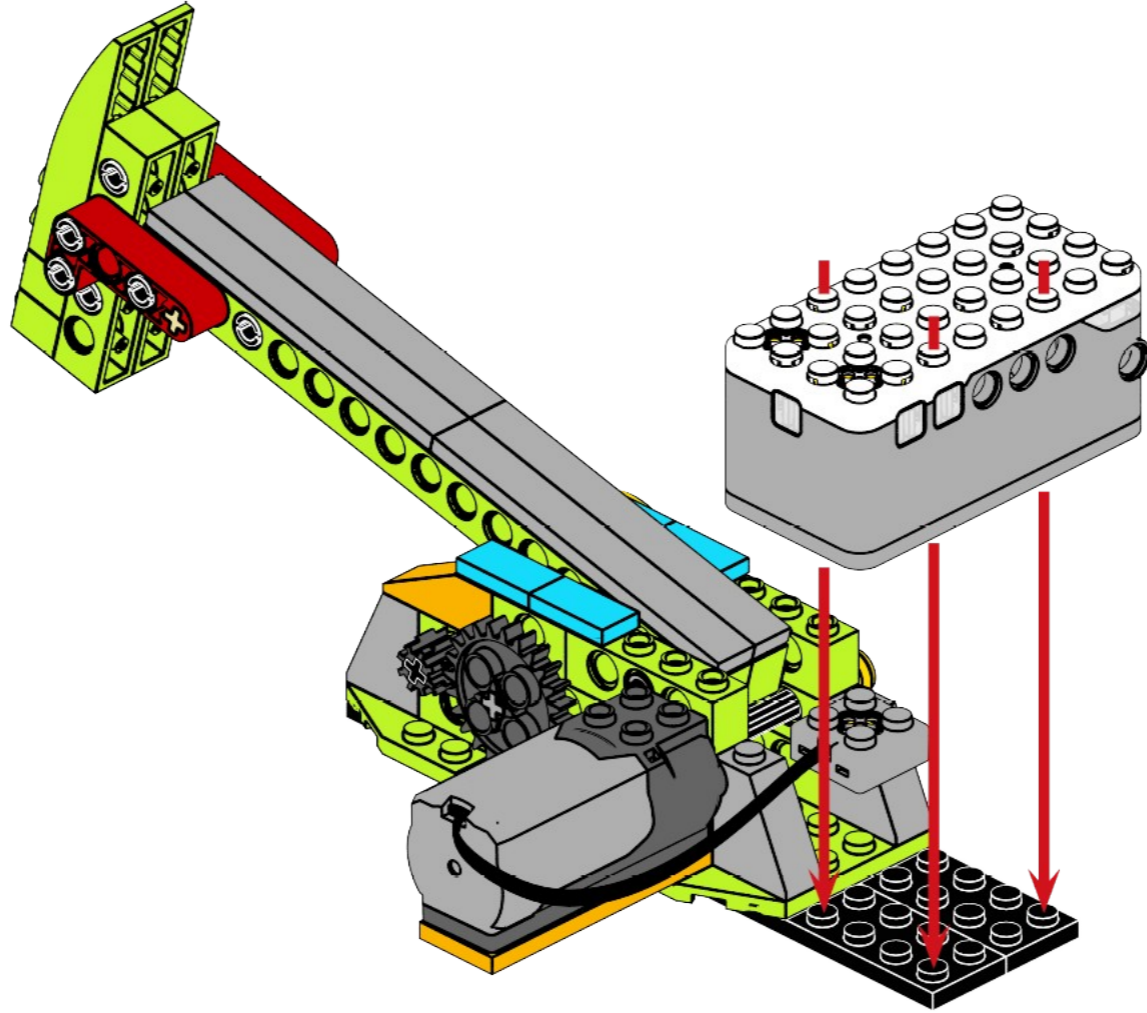


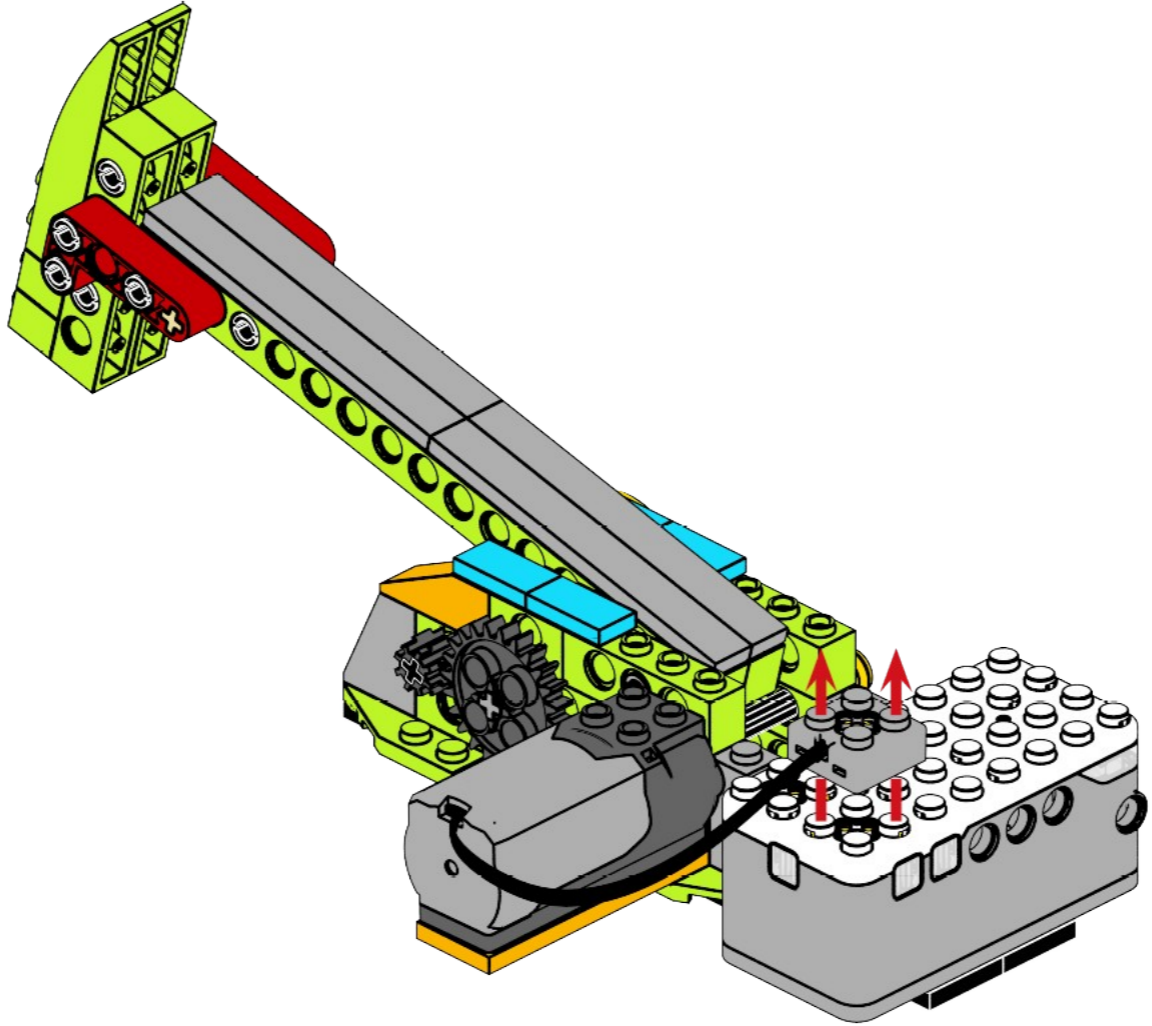


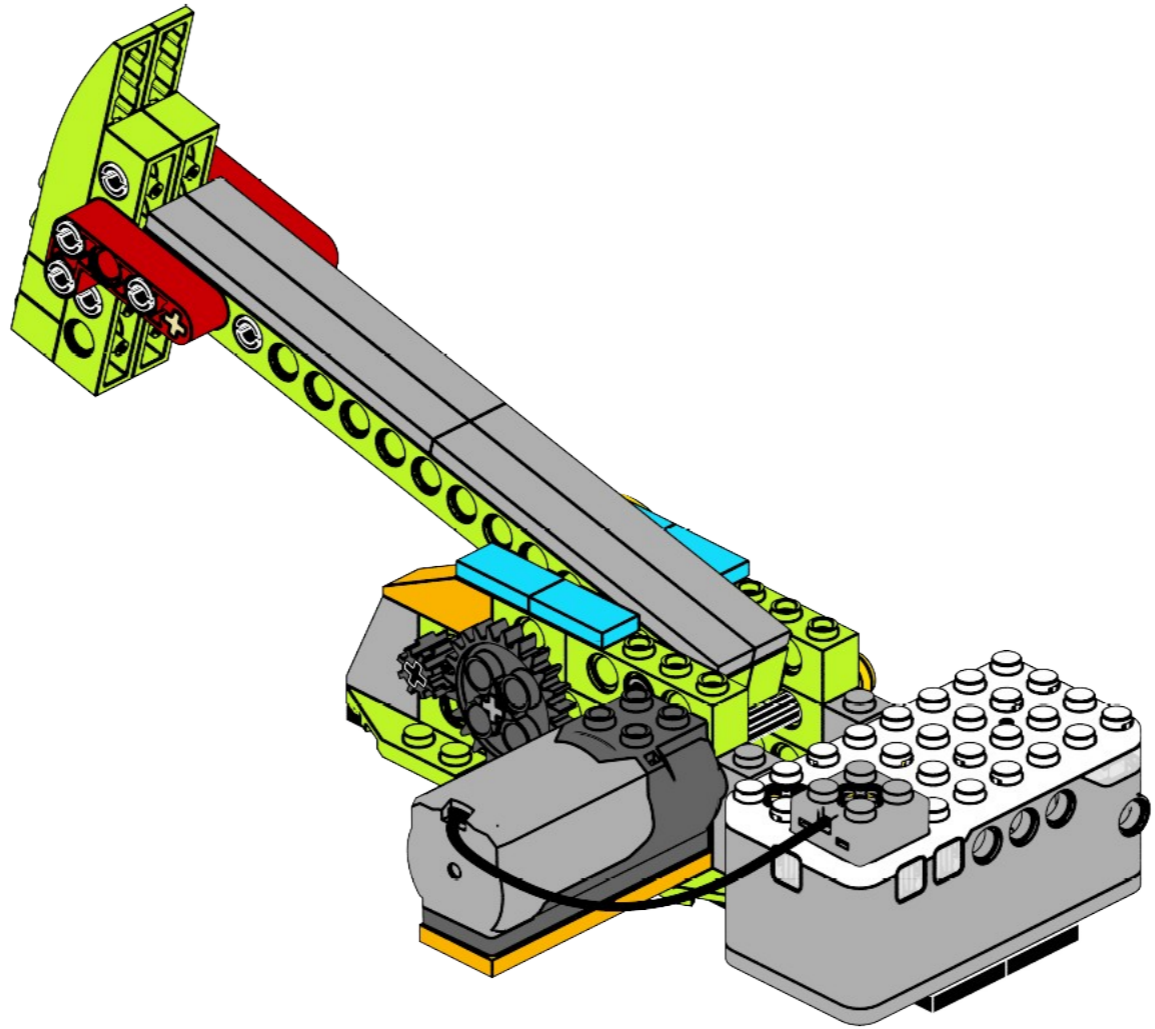
x2

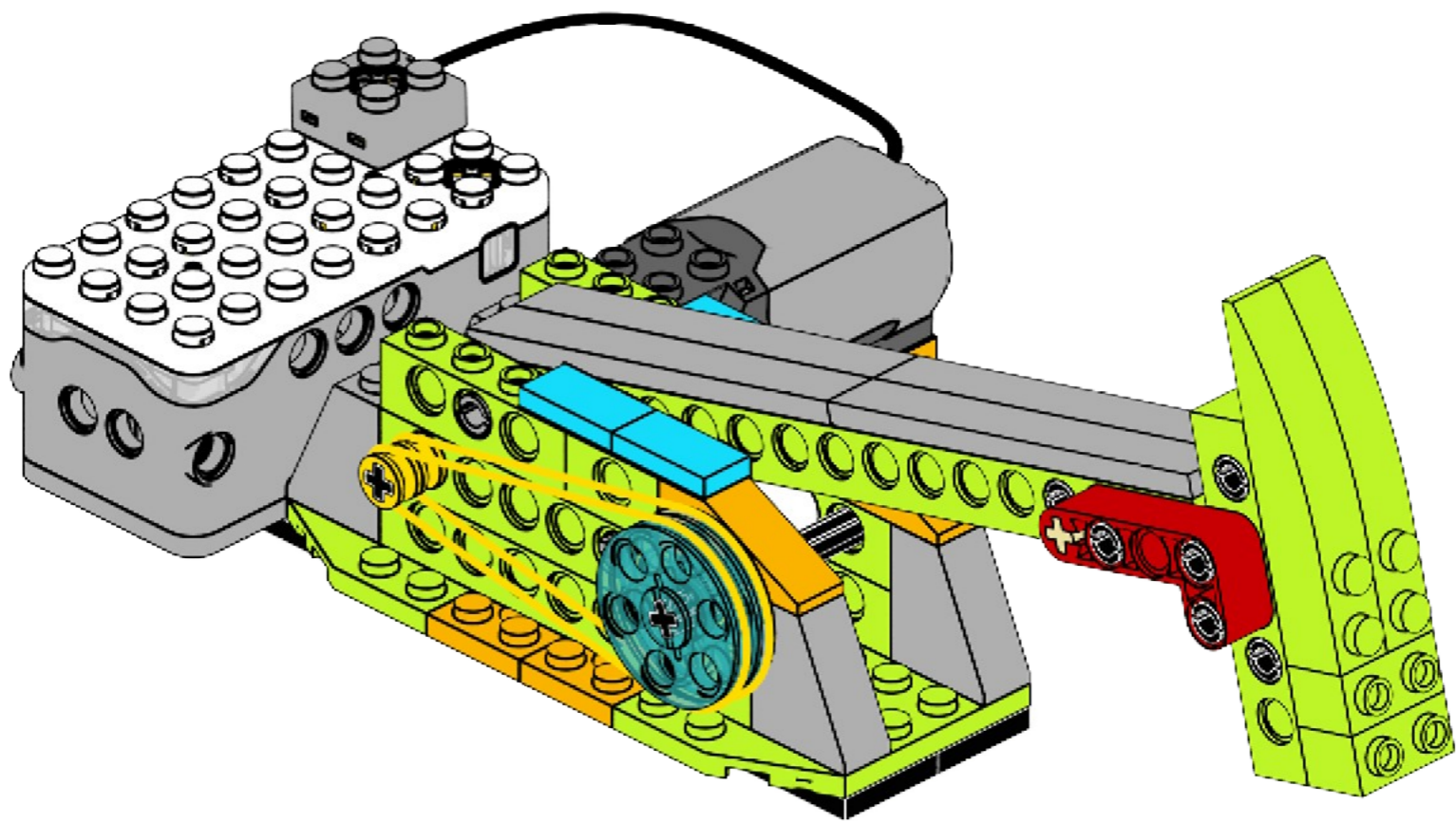


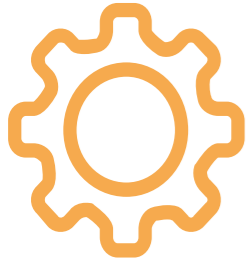
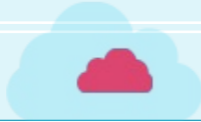












Review



Knowledge Development

Basic Transmission

Harvest season

The origin of rice

The role of the Rice Huller

Belt drive

Cam mechanism

autumn

Rice planting - Cultivate - Rice ears - Rice grains - Rice

Separating paddy from rice by thrashing





Talk





THANKS

