



Logic

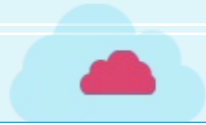
Space



Coding



Focus



Classroom Discipline

01

Please sit down and keep quiet in class.

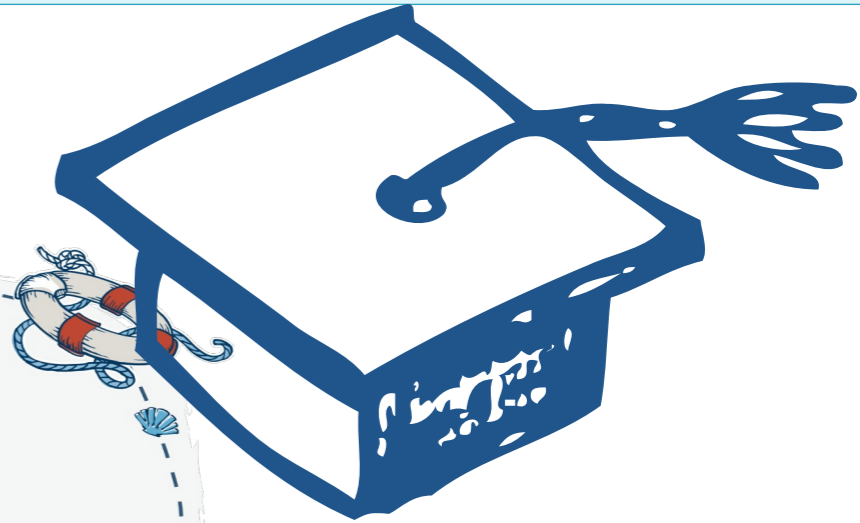
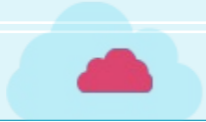
02

Please raise your hand if you have any questions

03

Please observe carefully when the pictures are played.





The Little Tortoise

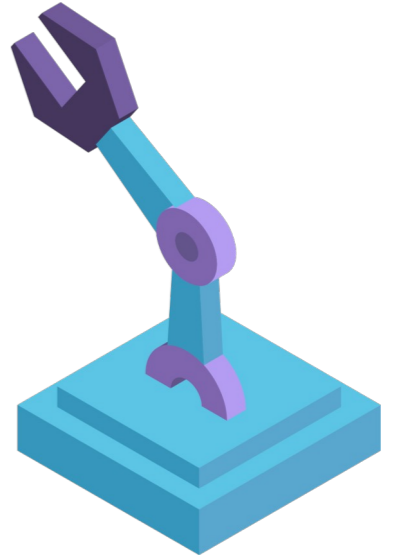


LITTLE
CRAB





Think

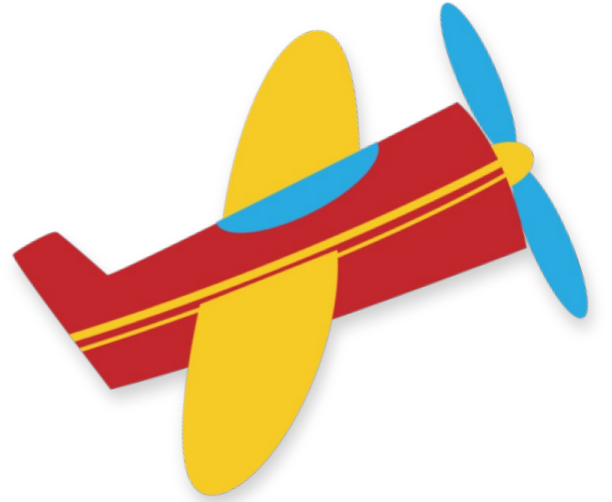


1. Have you all heard the story of the tortoise and the hare? Would anyone like to come up and share it with us?





Explore



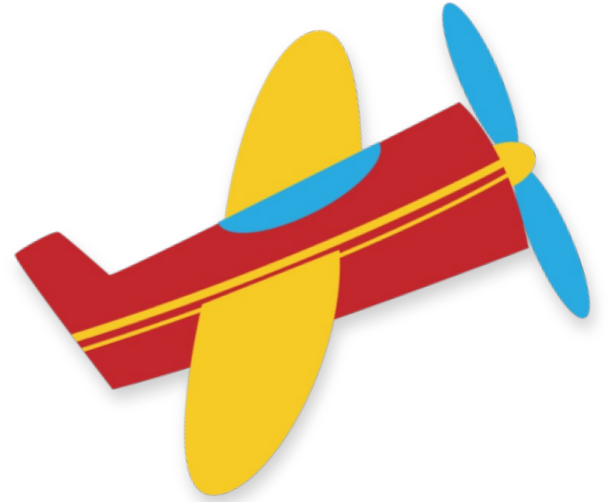
1. Does anyone know the habits and characteristics of tortoise?

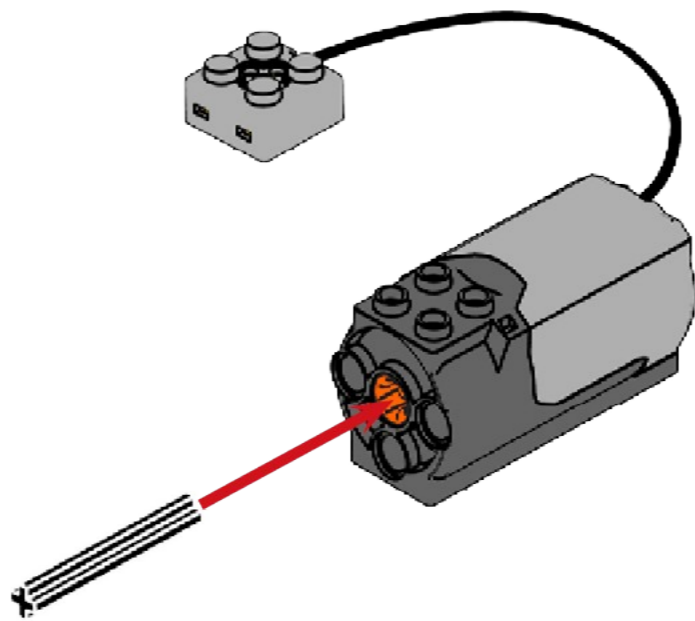


The turtle is a **semi-aquatic, semi-terrestrial** reptile. Its head and limbs can be retracted into the shell. The turtle is an **omnivorous animal**, feeding on insects, shrimps, snails, young leaves, melon peels, weed seeds, etc. The turtle has no vocal cords and cannot make any sound. Its hearing has also degenerated, so the turtle relies on vision and smell to find food.



Build

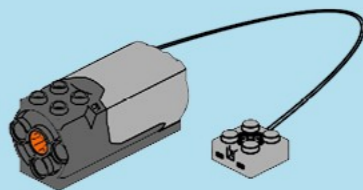




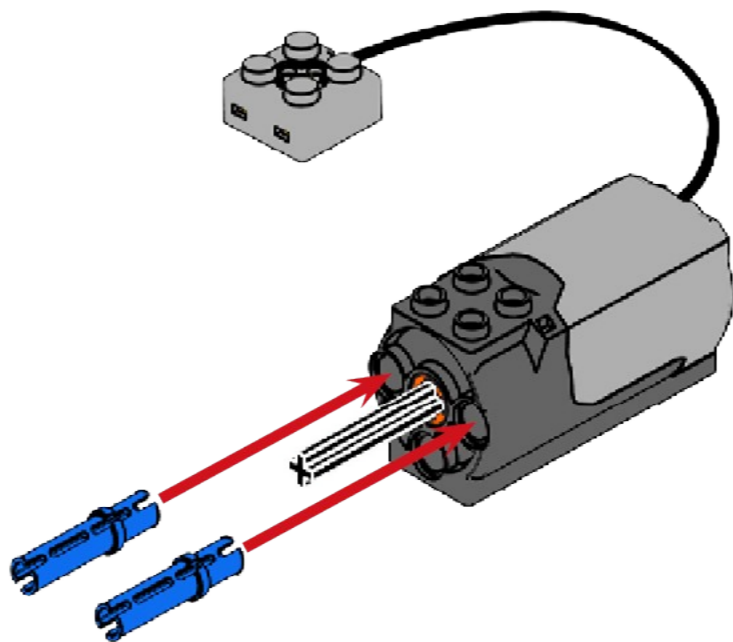
4

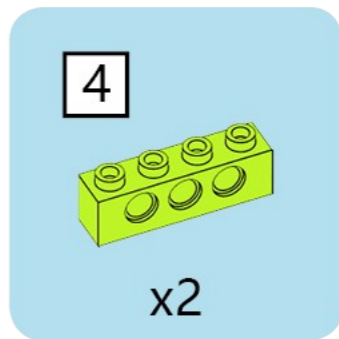
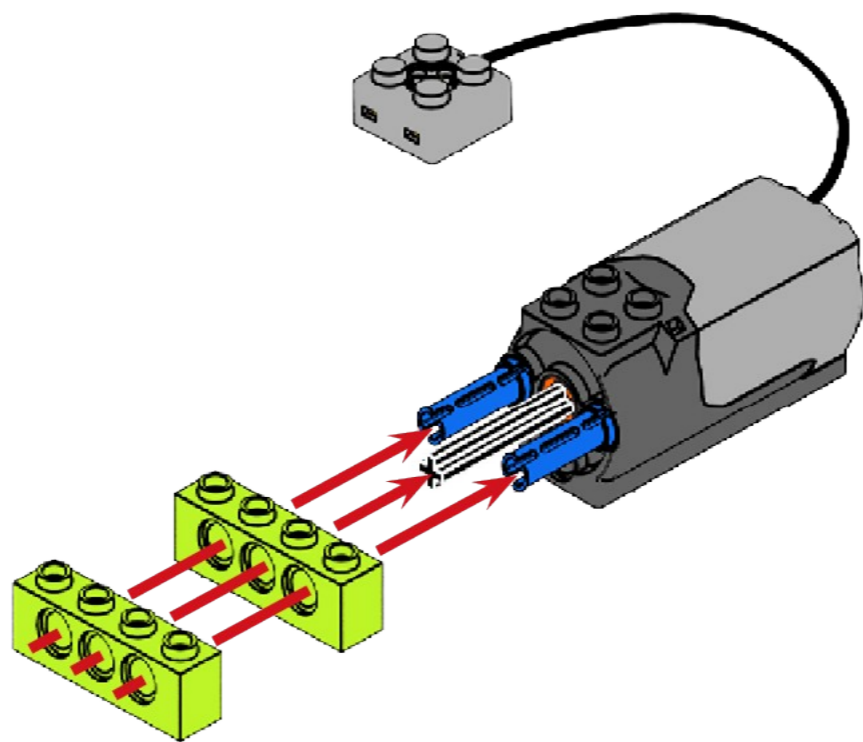


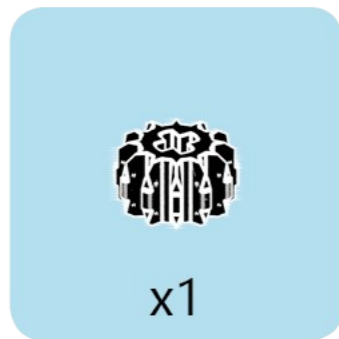
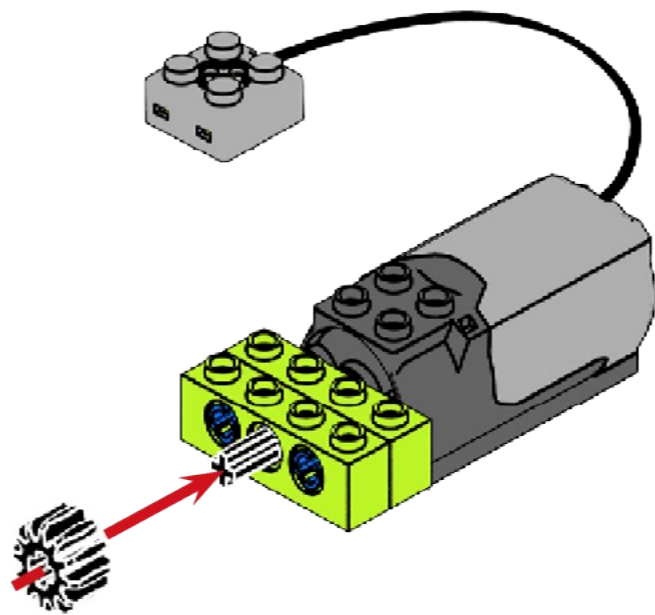
x1

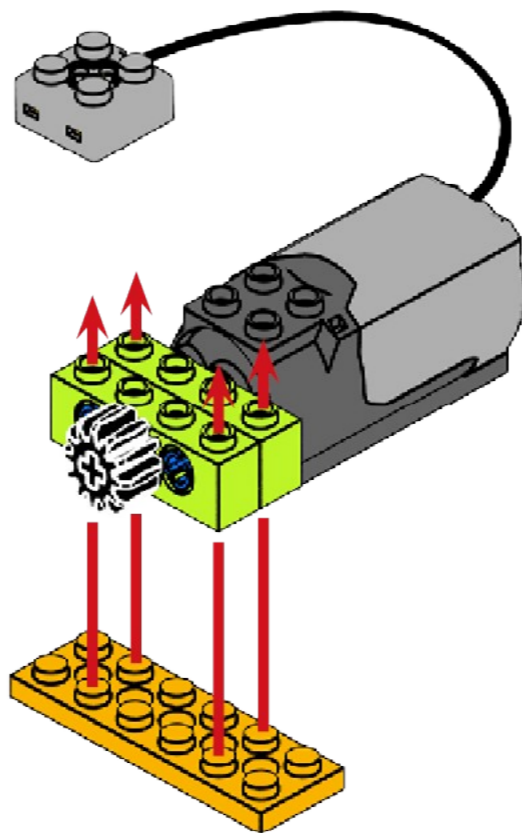


x1





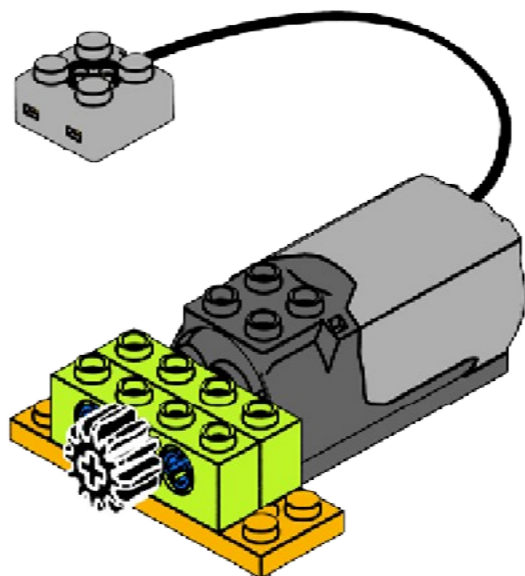


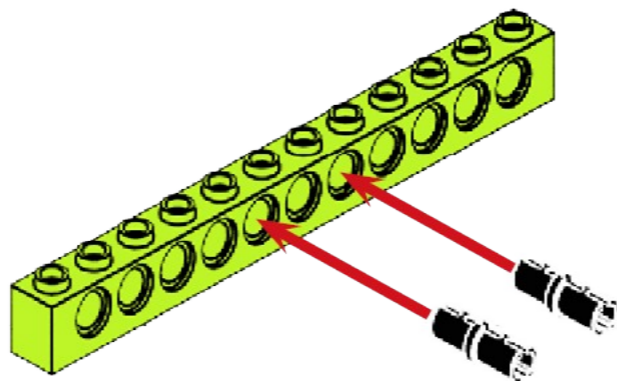
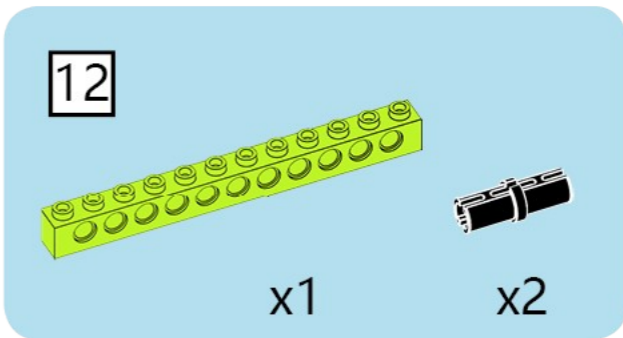


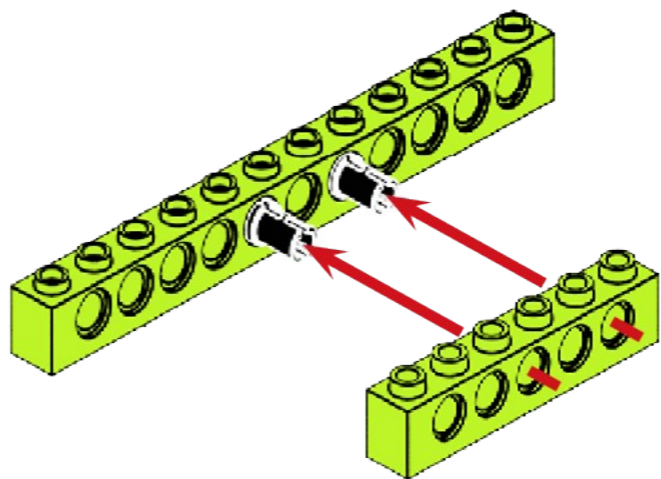
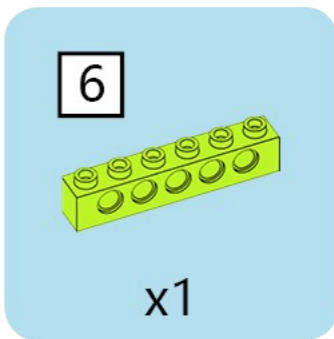
2x6

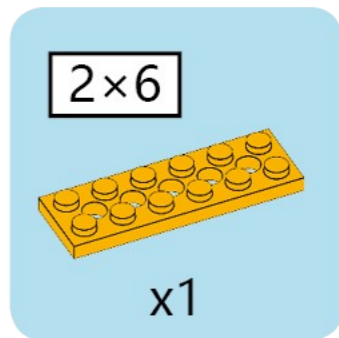
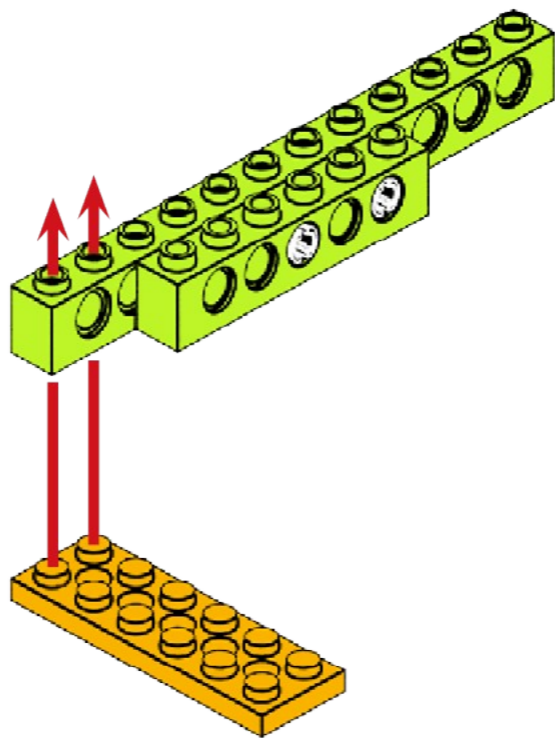


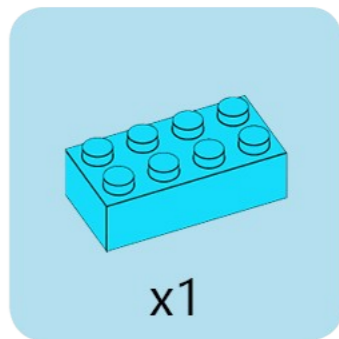
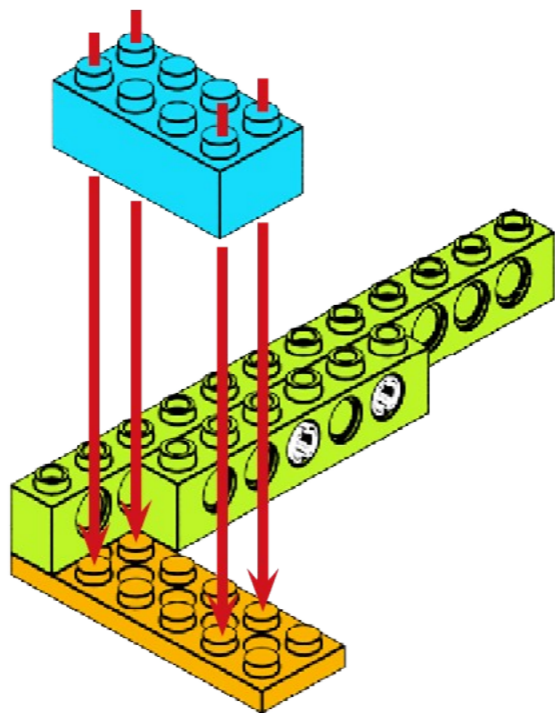
x1

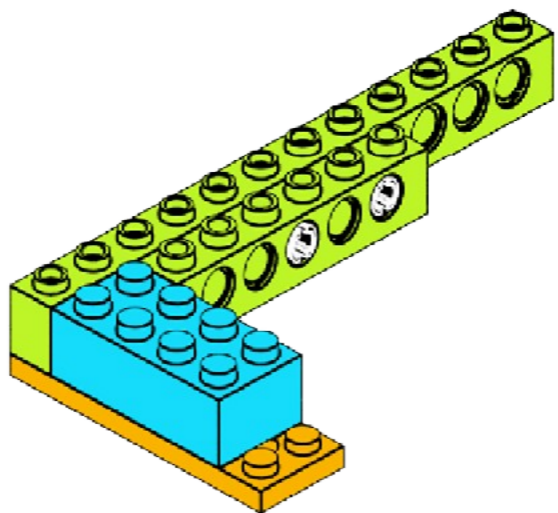


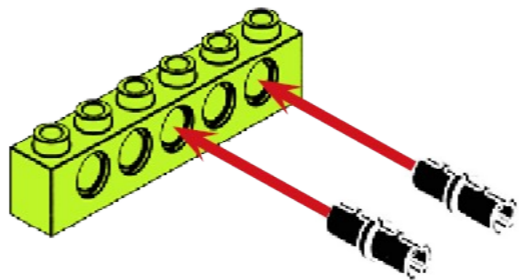
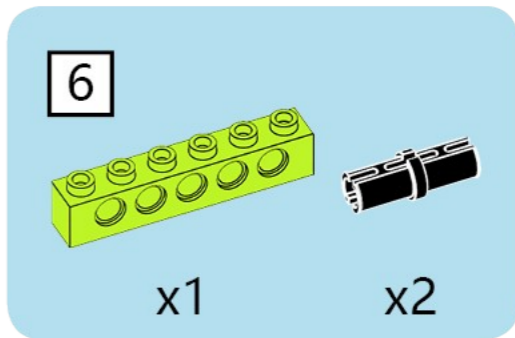






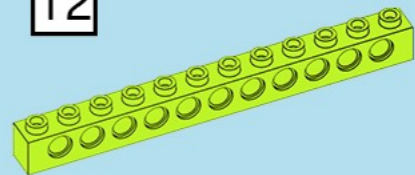




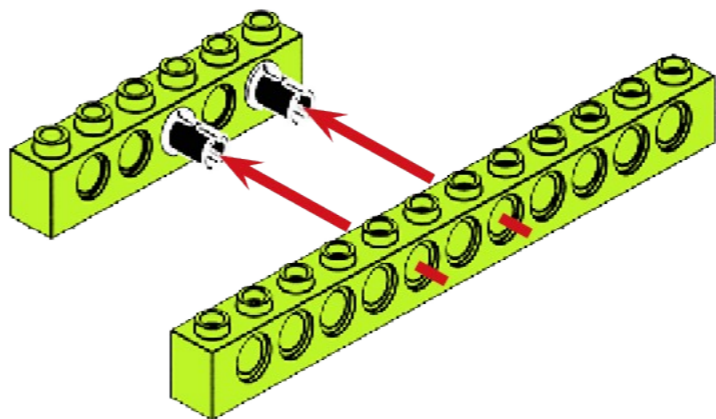


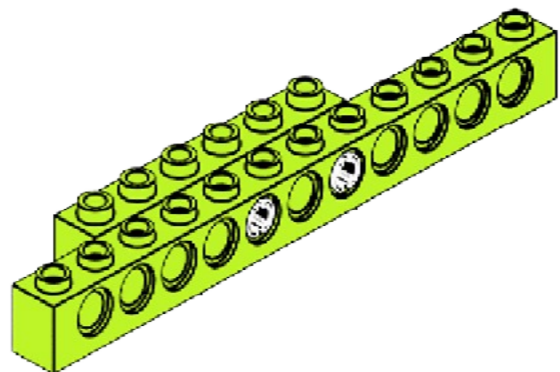


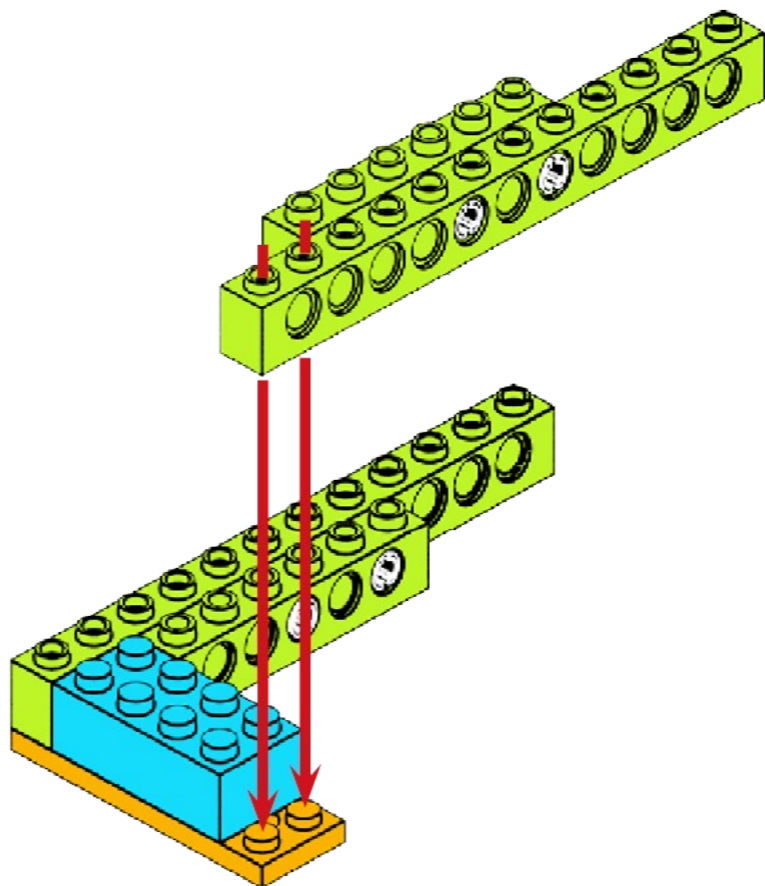
12

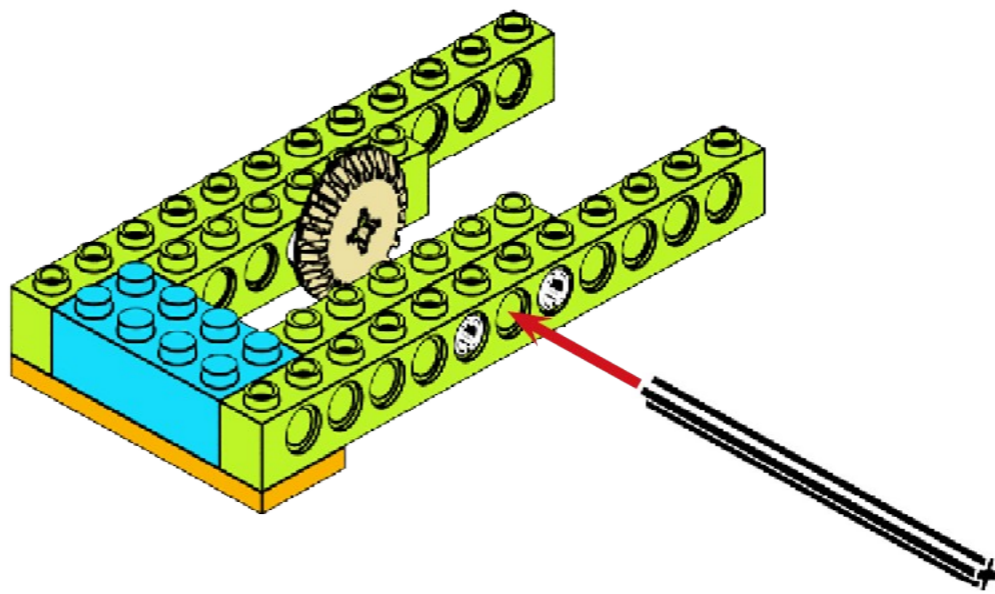
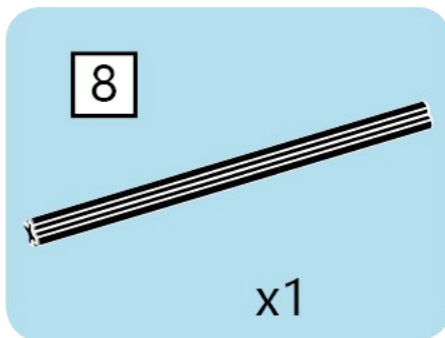


x1



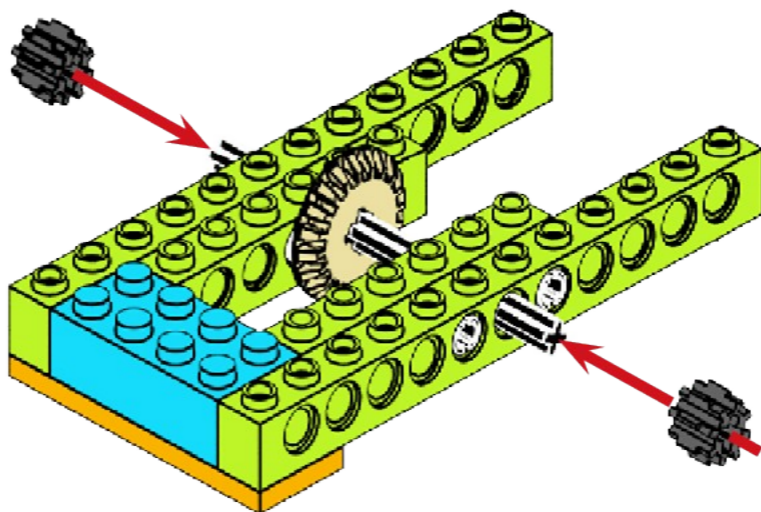


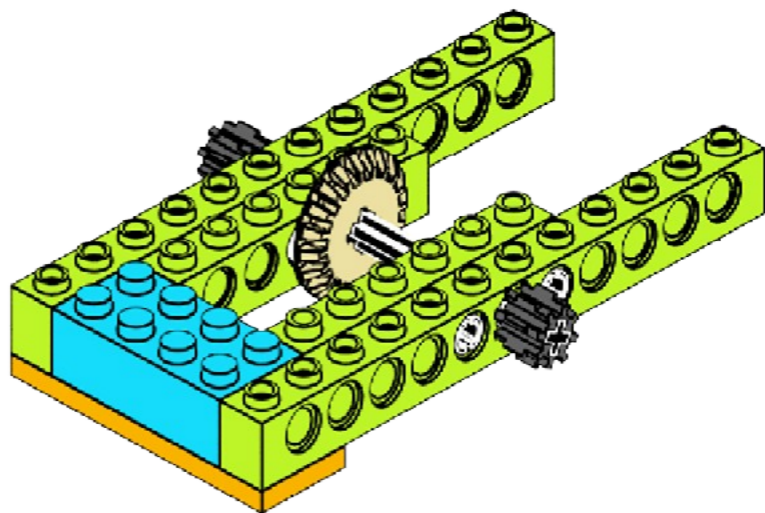


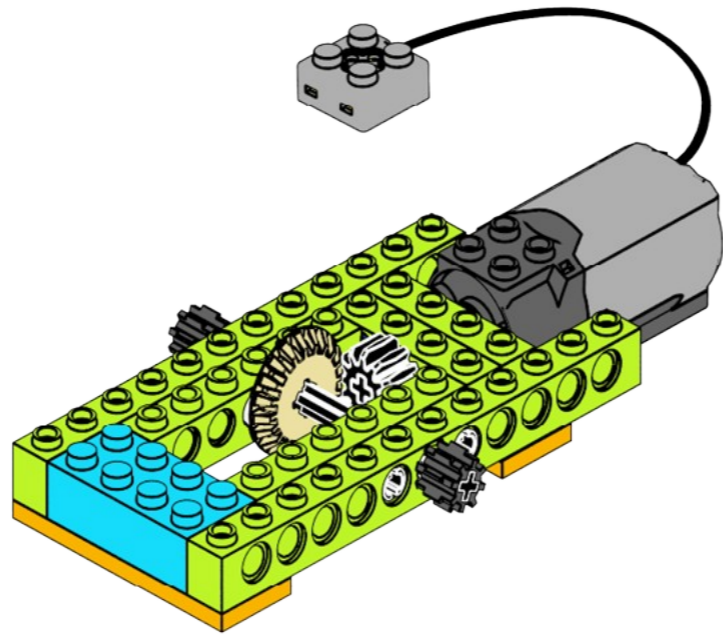


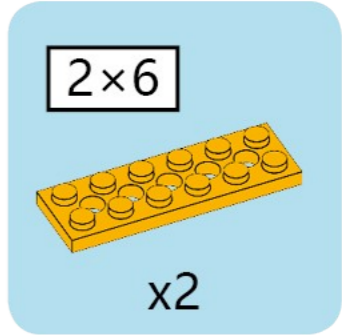
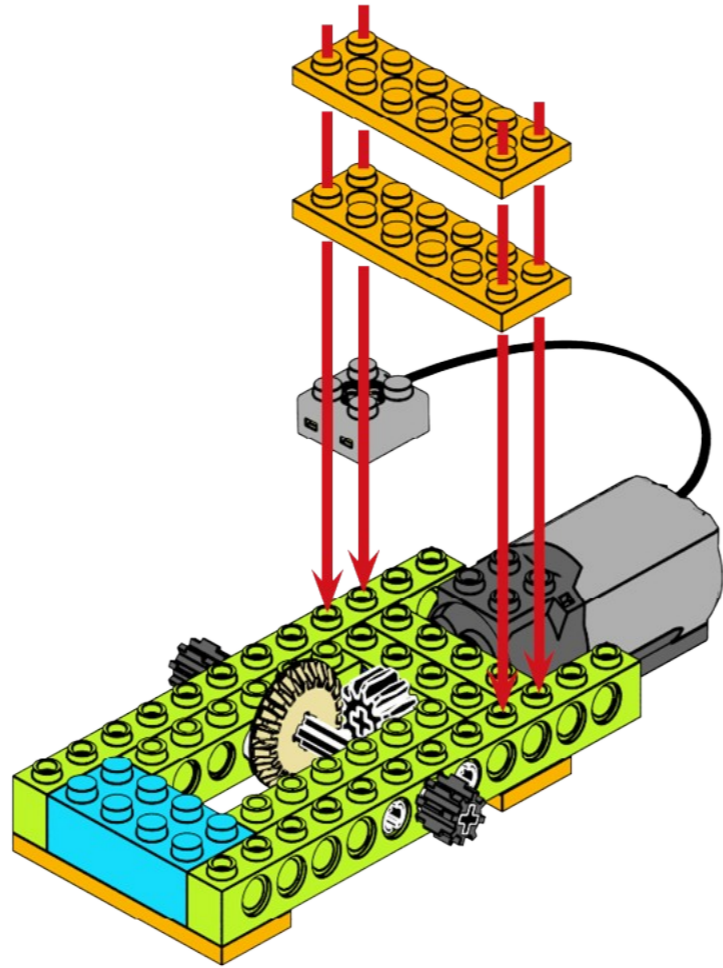


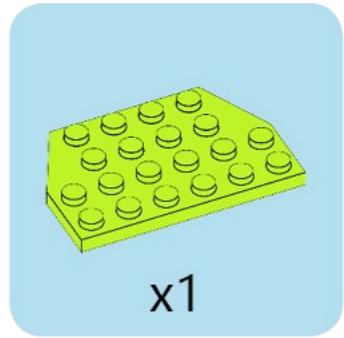
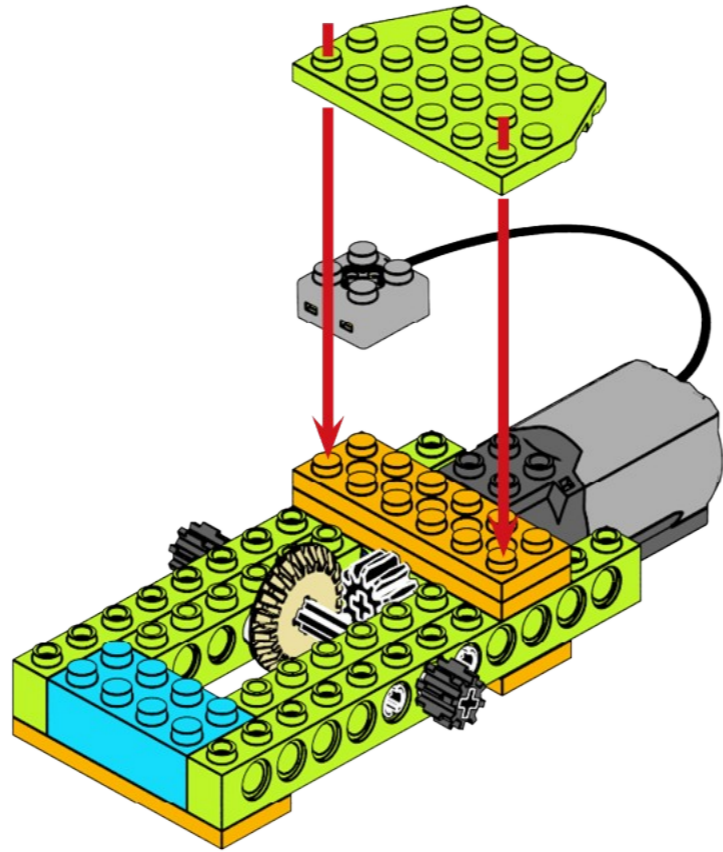
x2

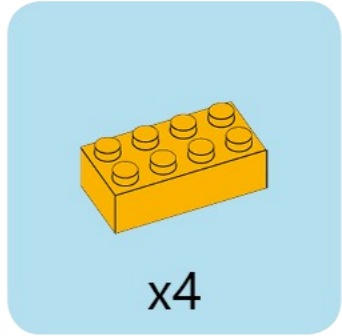
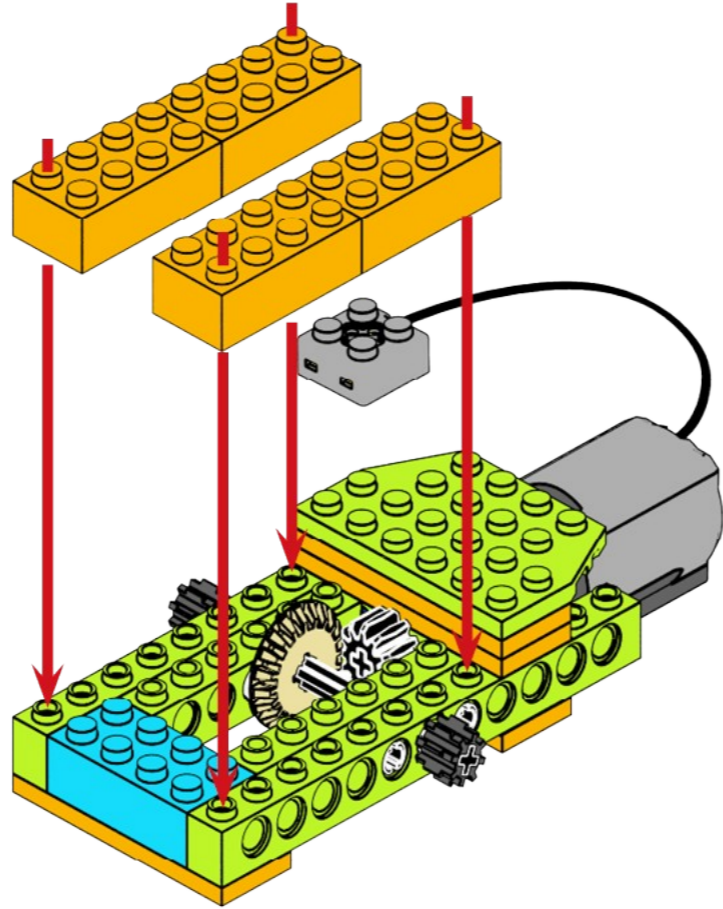


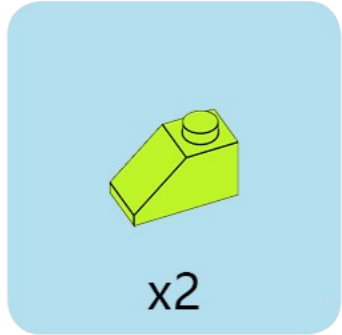
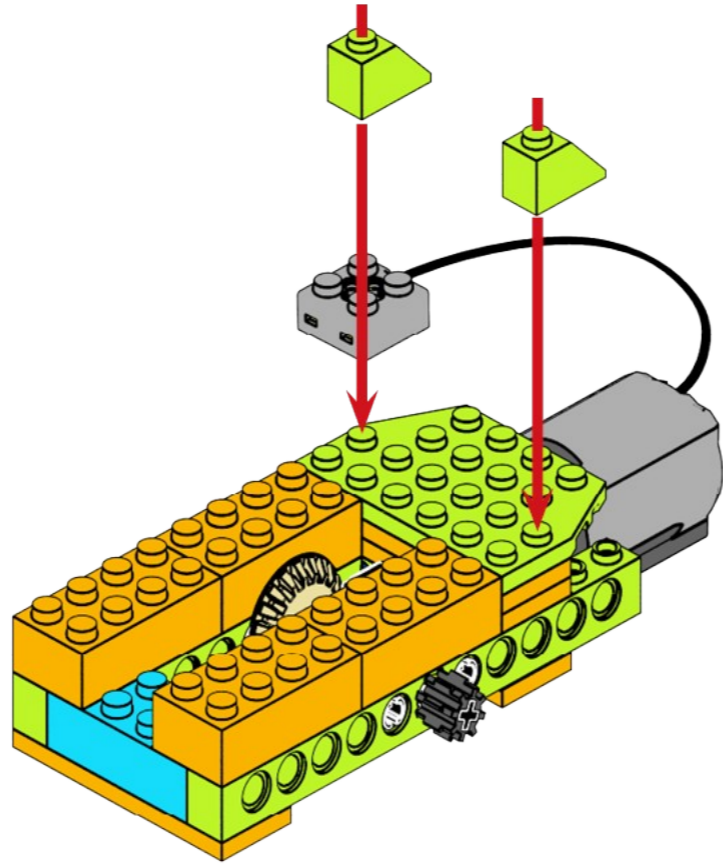


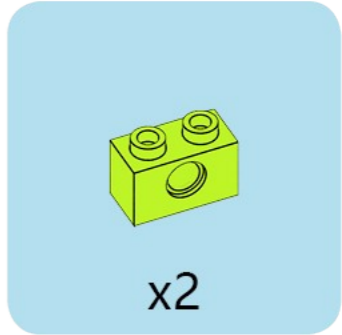
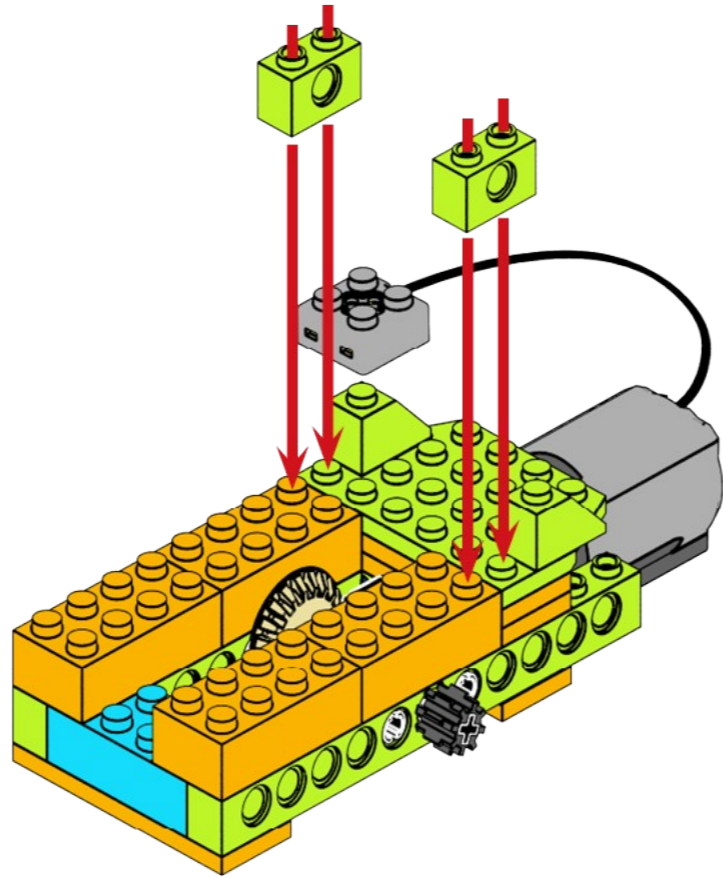


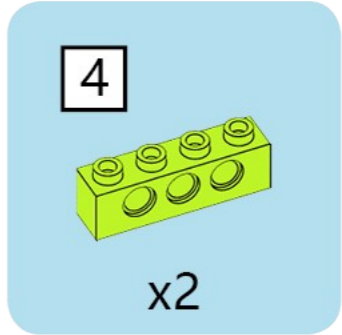
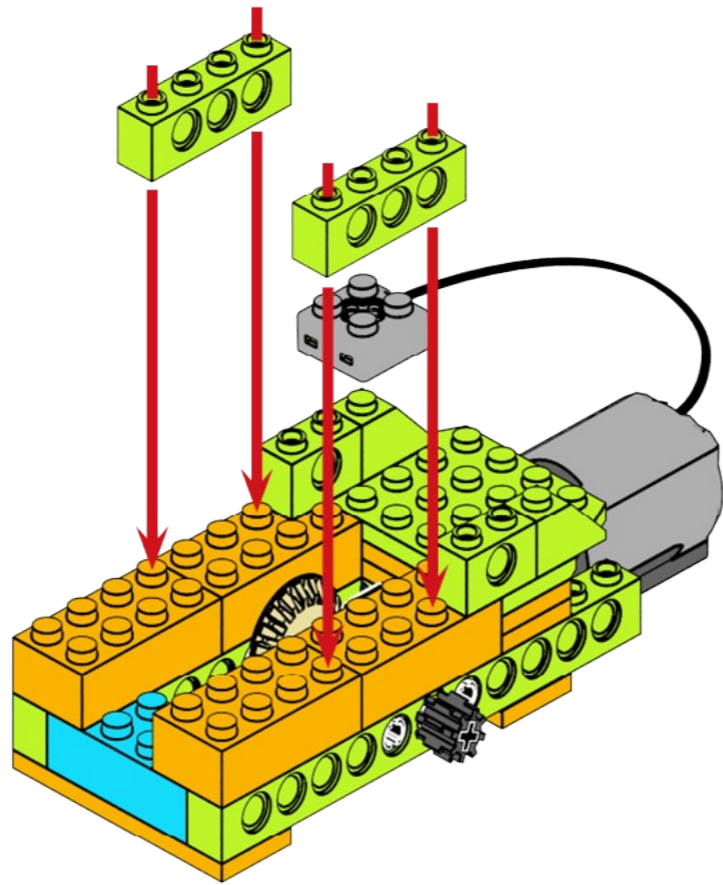


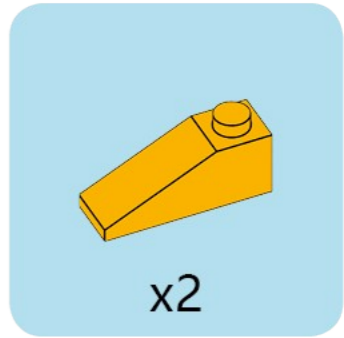
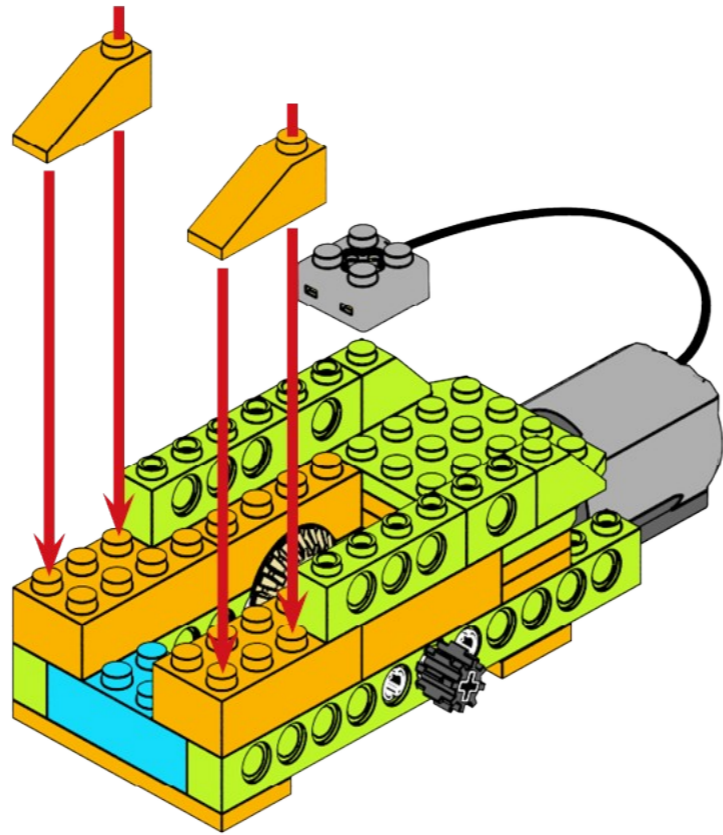


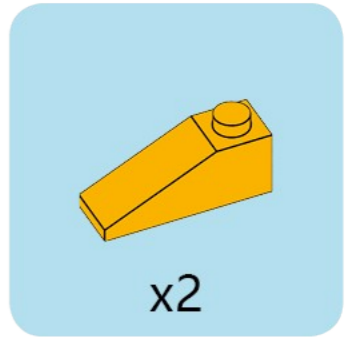
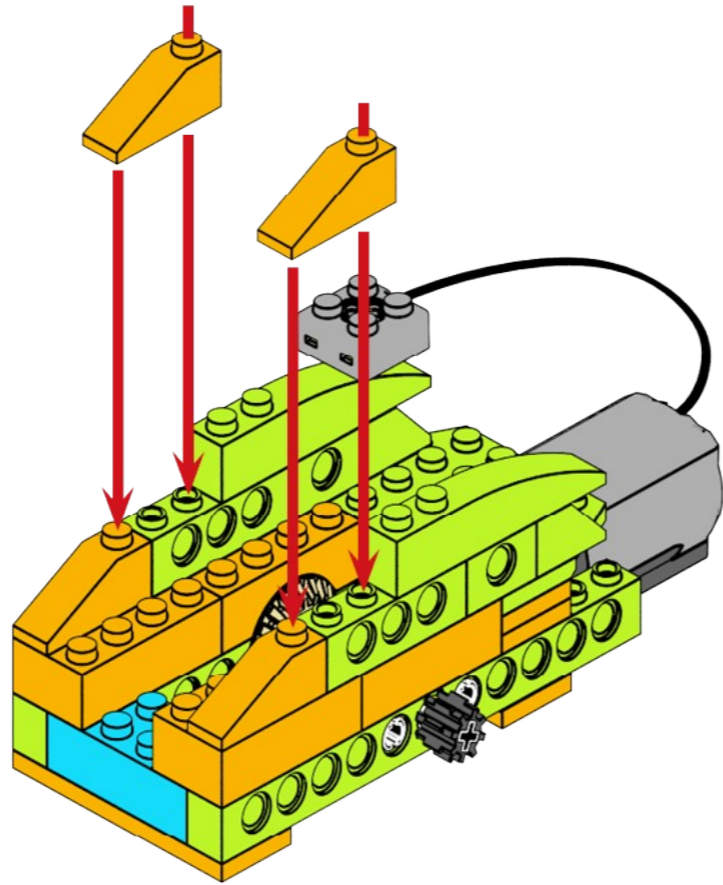


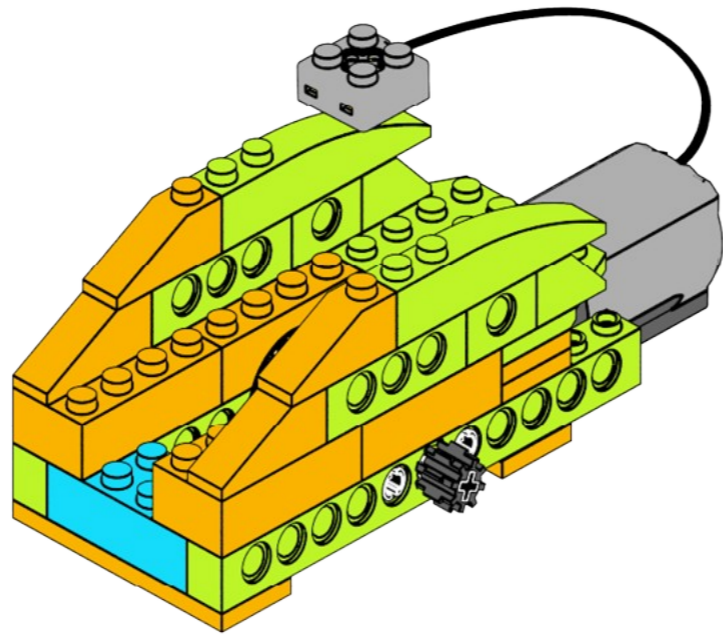


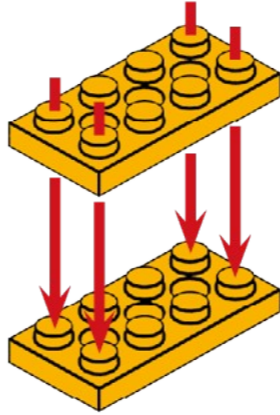




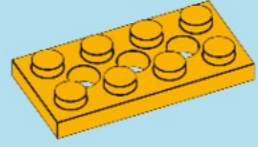




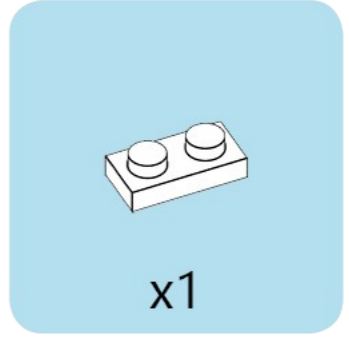
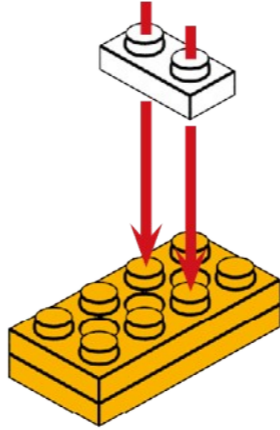


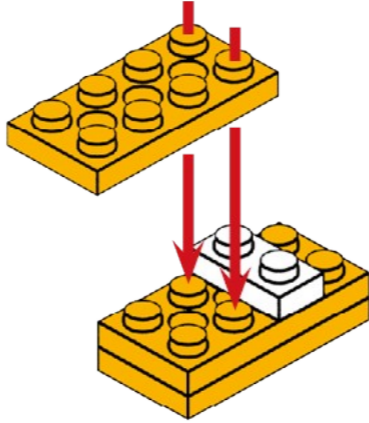


2x4

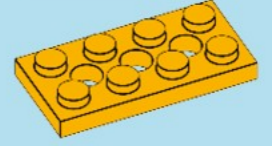


x2

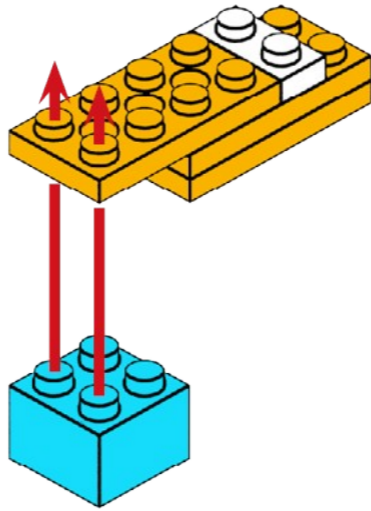
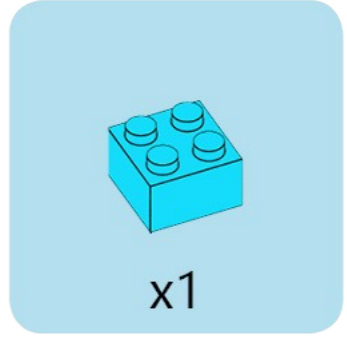


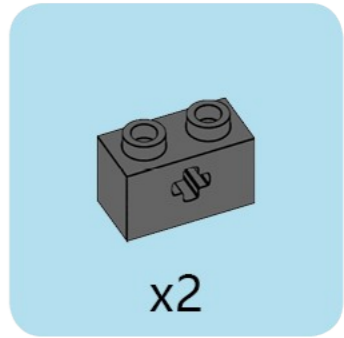
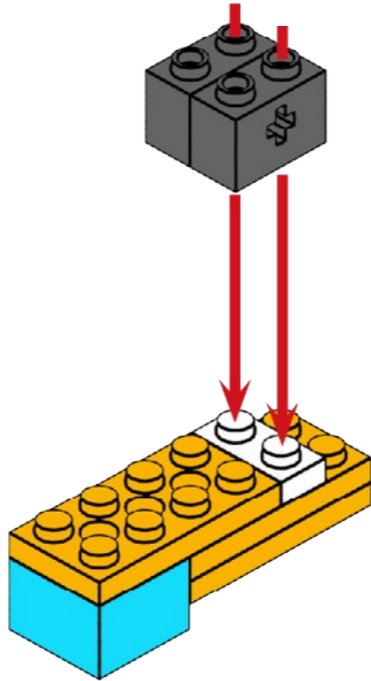


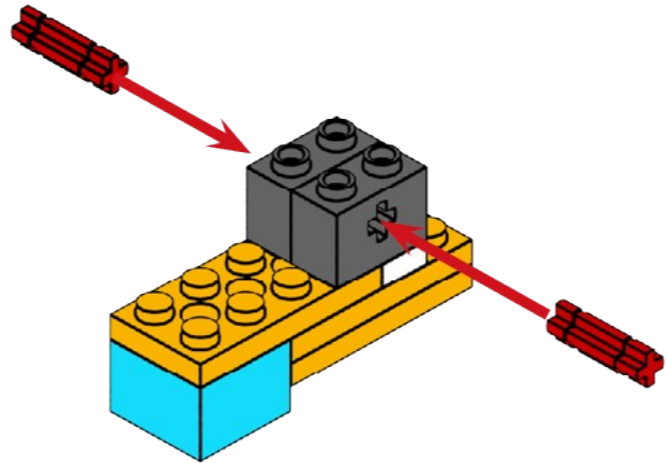
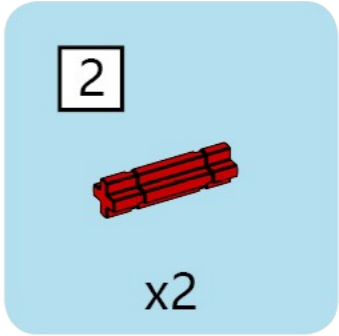
2x4

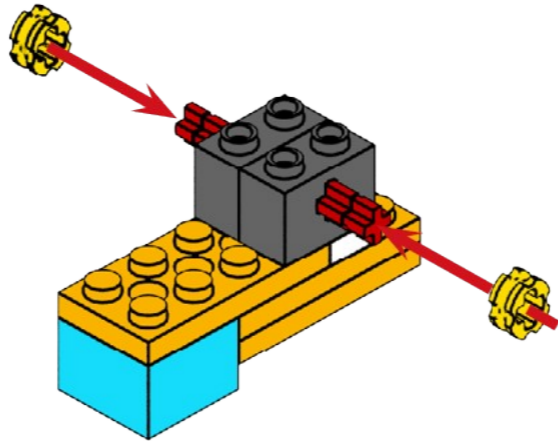
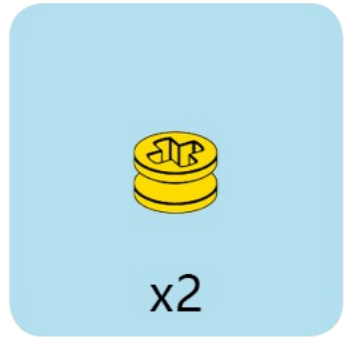


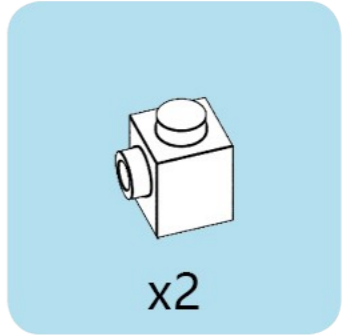
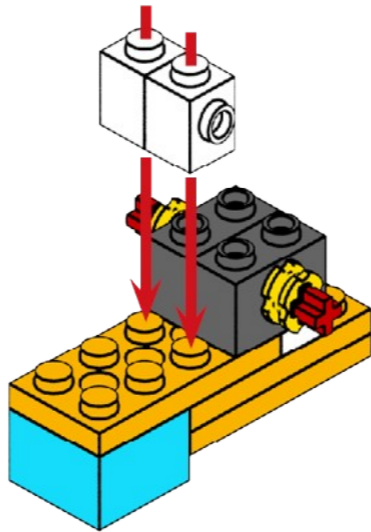
x1

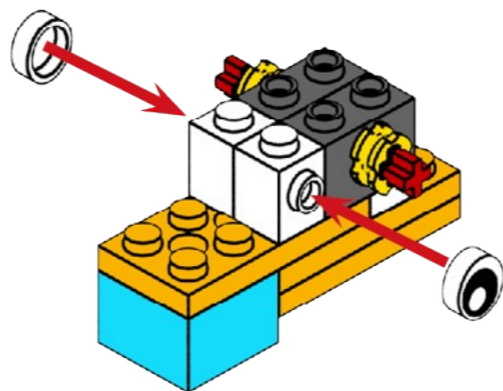
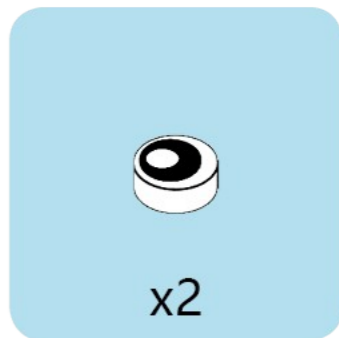


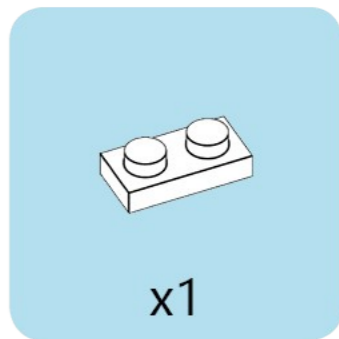
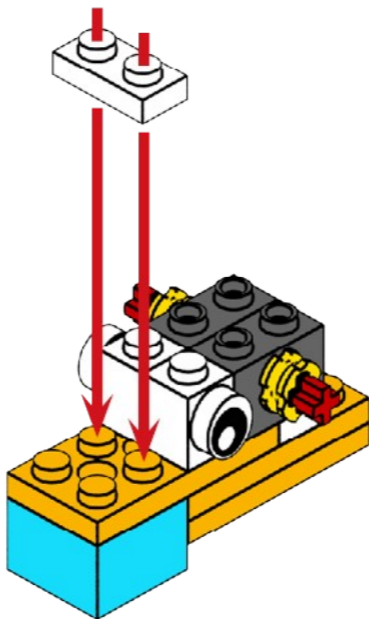


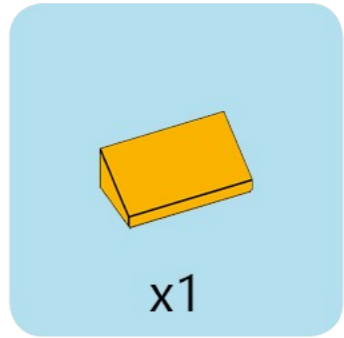
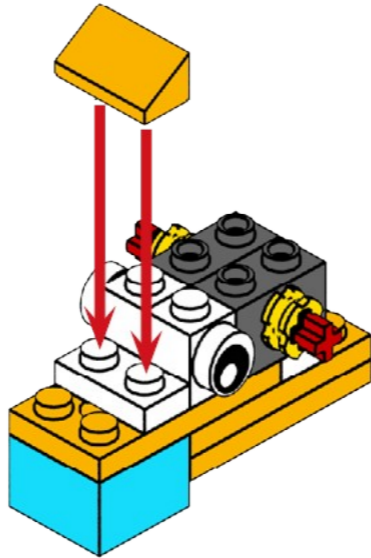


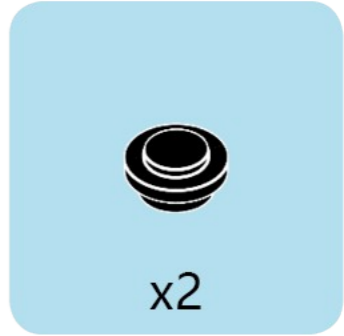
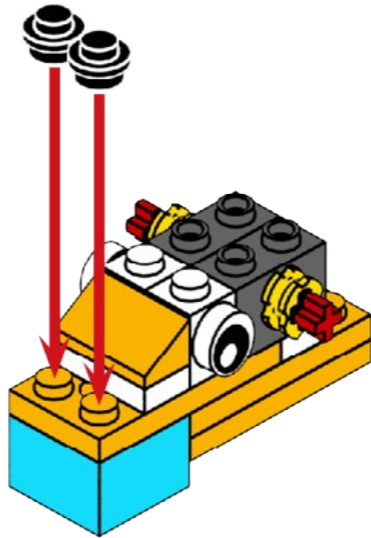


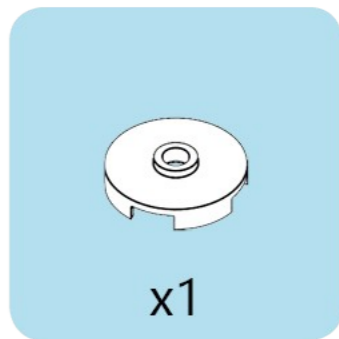
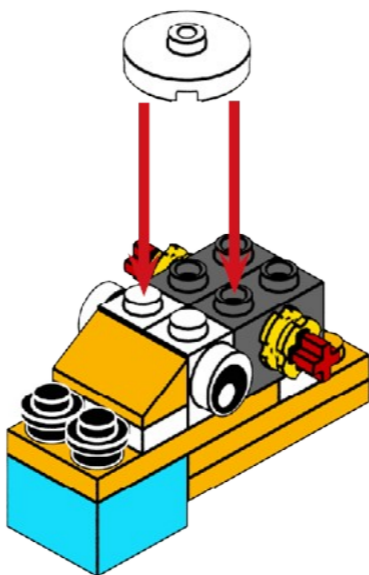


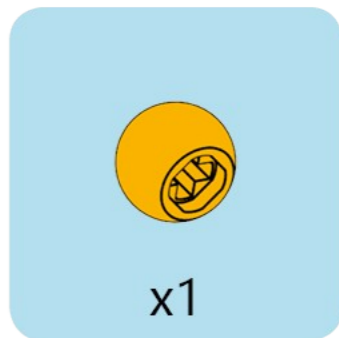
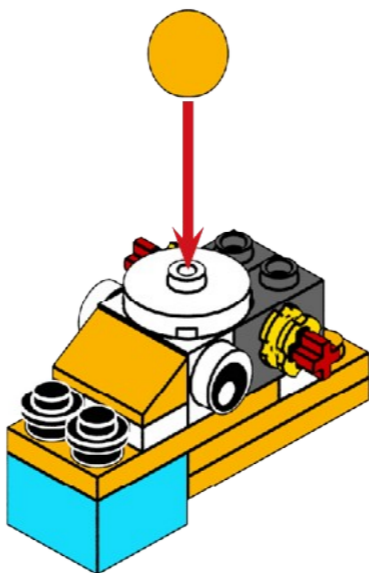


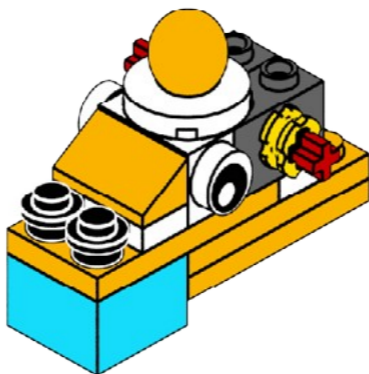


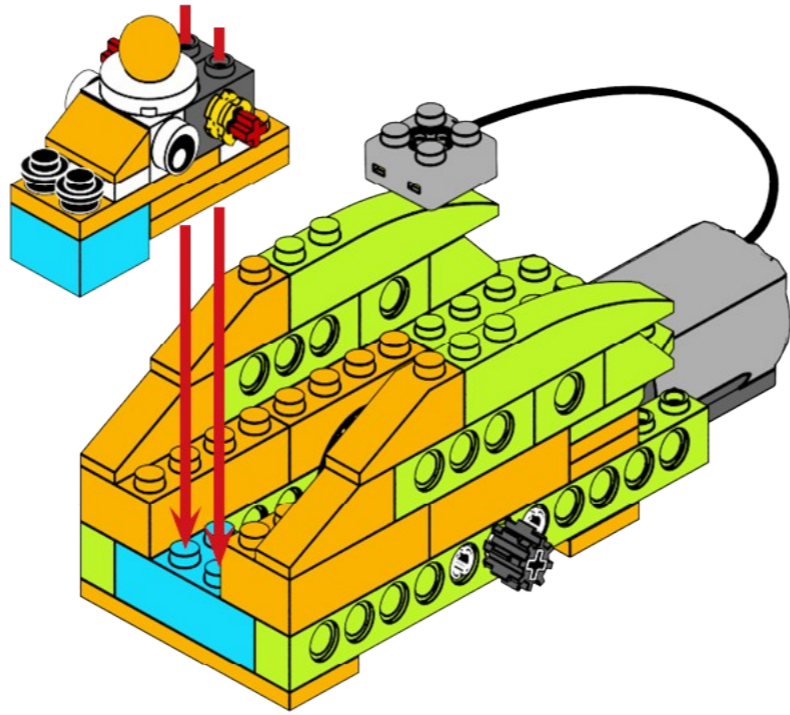


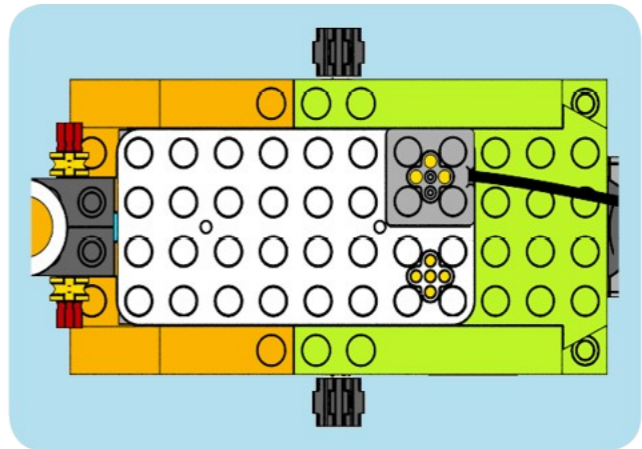
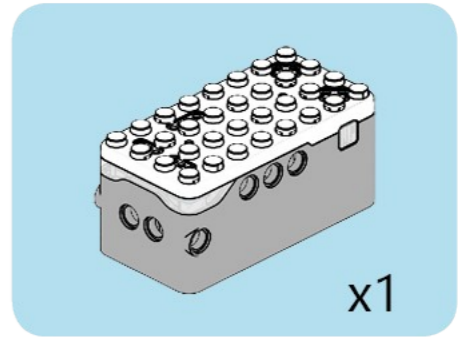
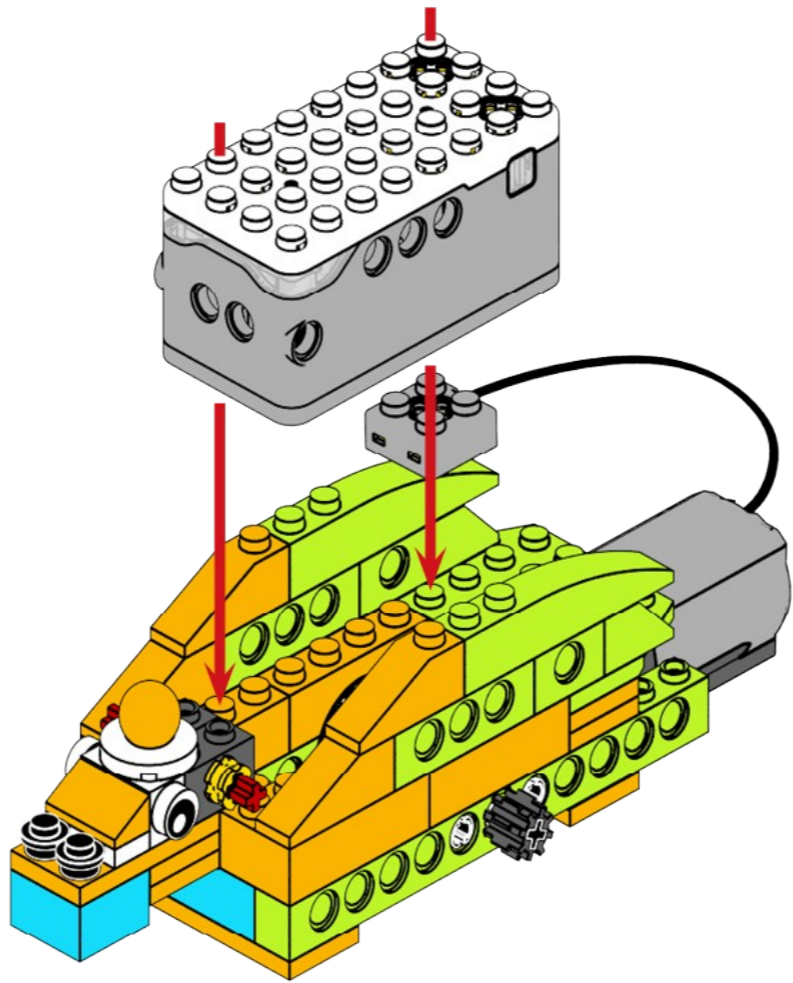


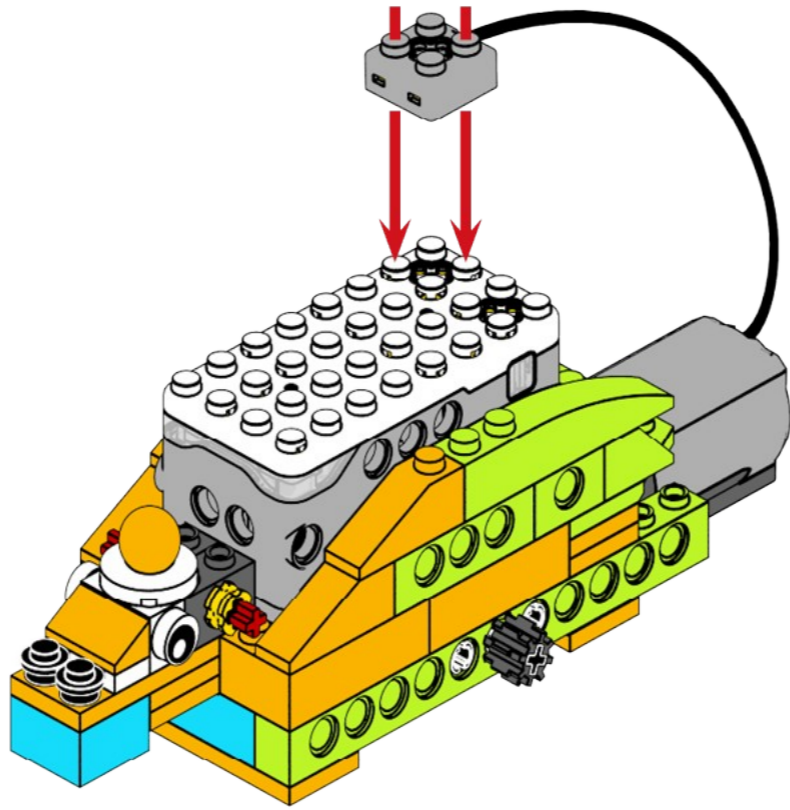


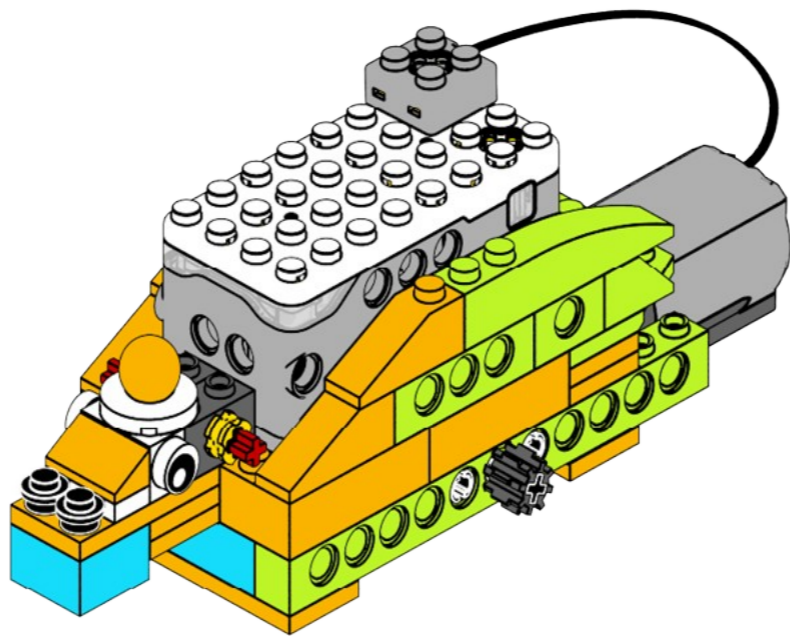


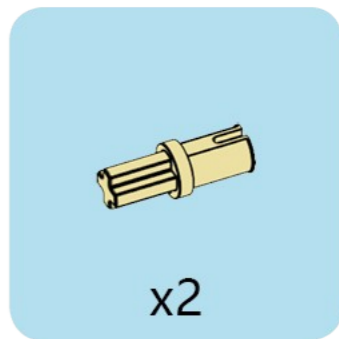
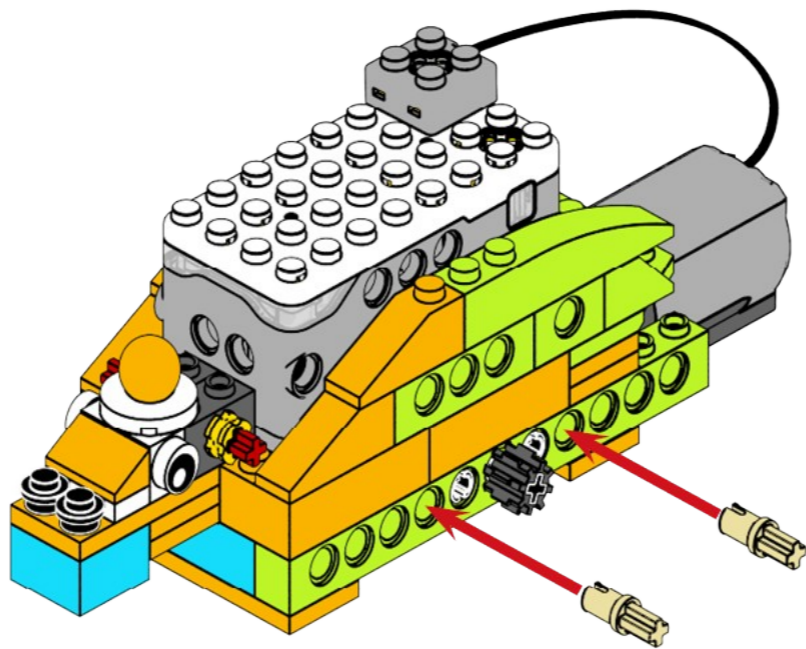


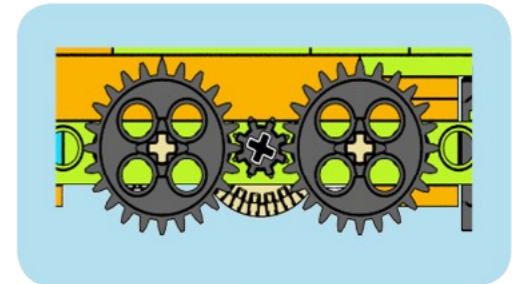
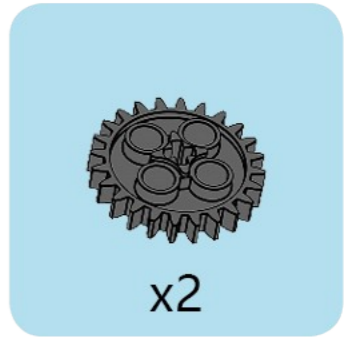
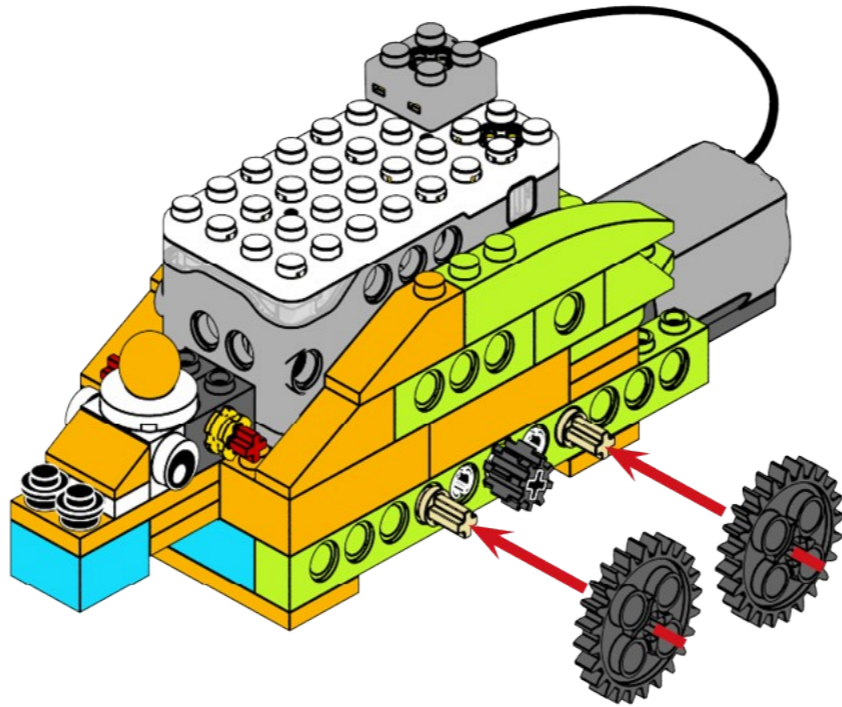


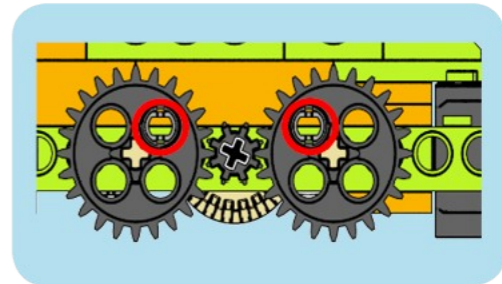
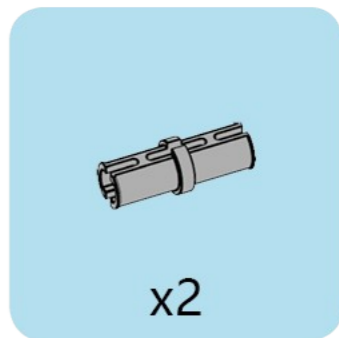
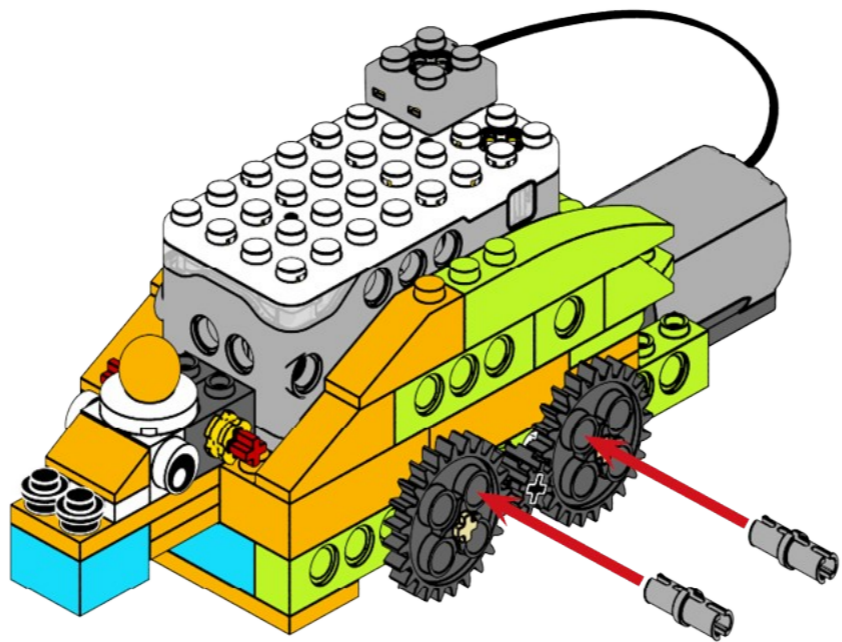


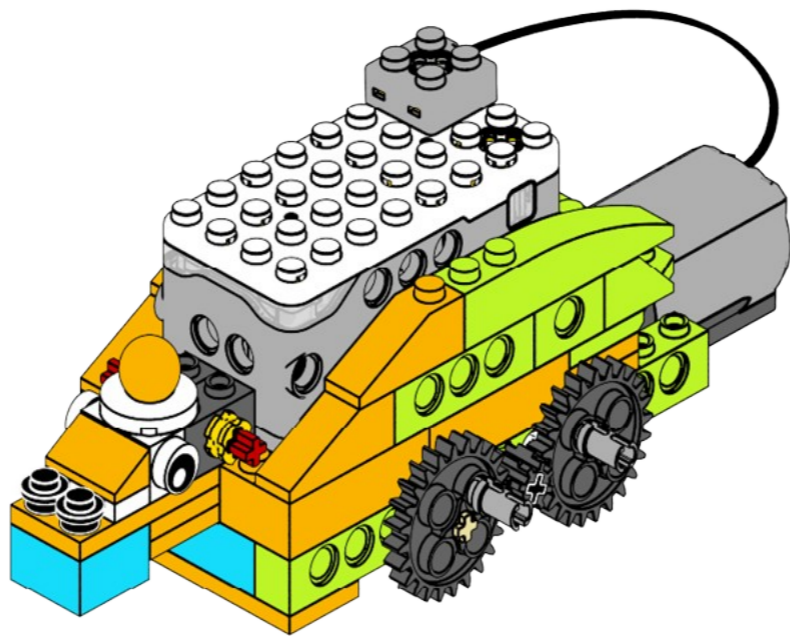


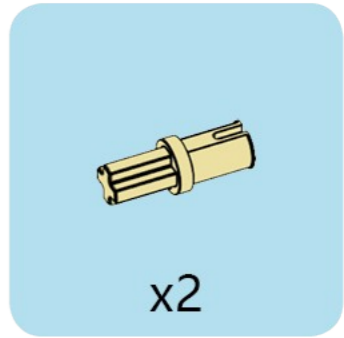
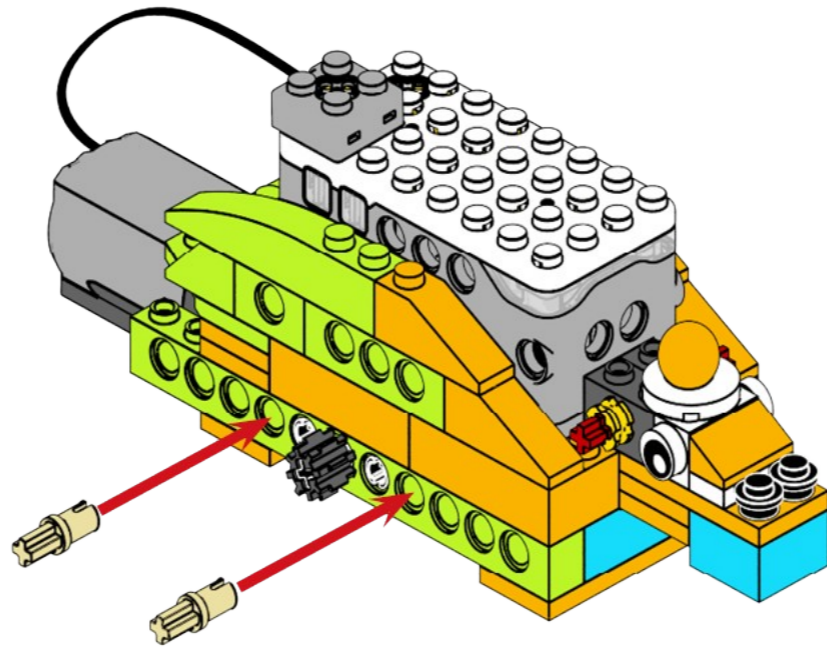


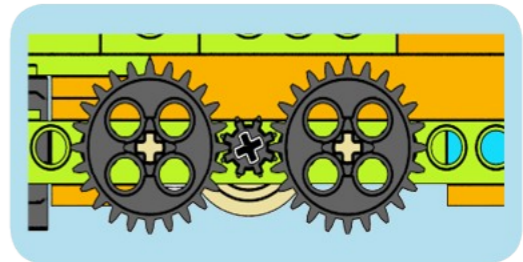
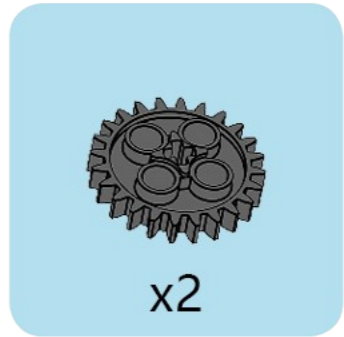
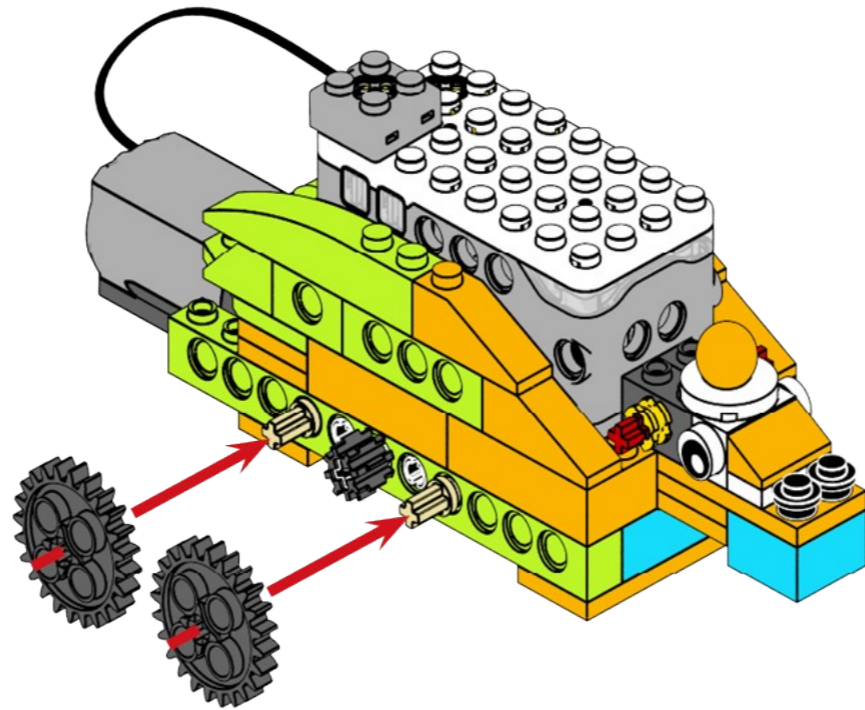


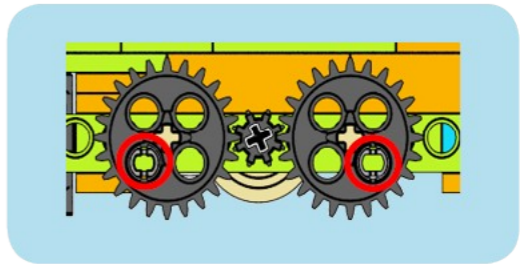
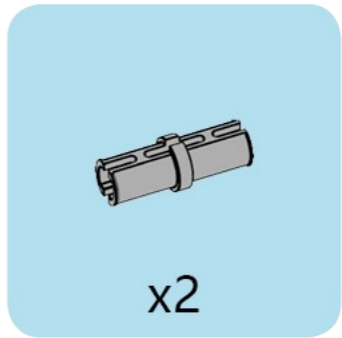
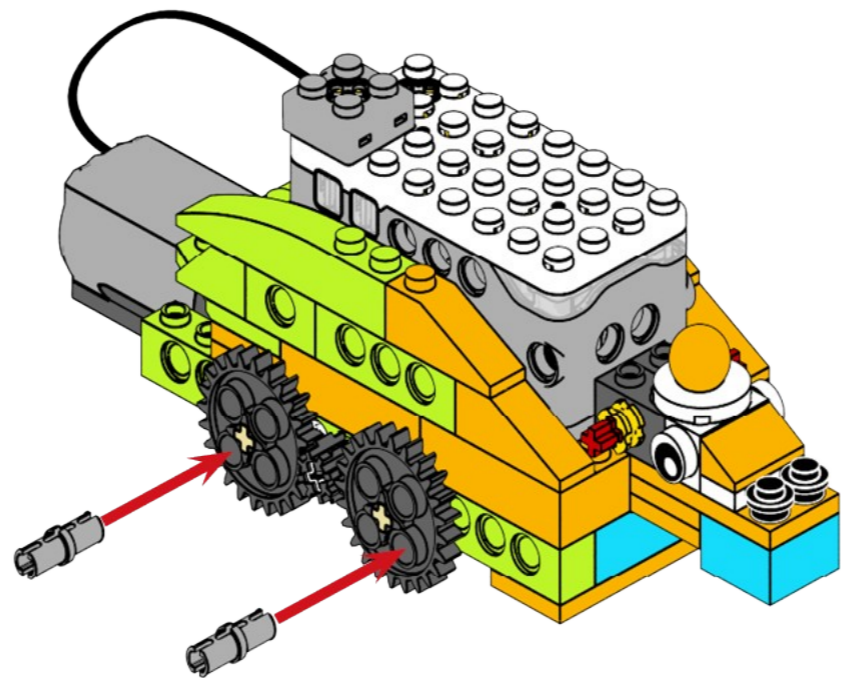


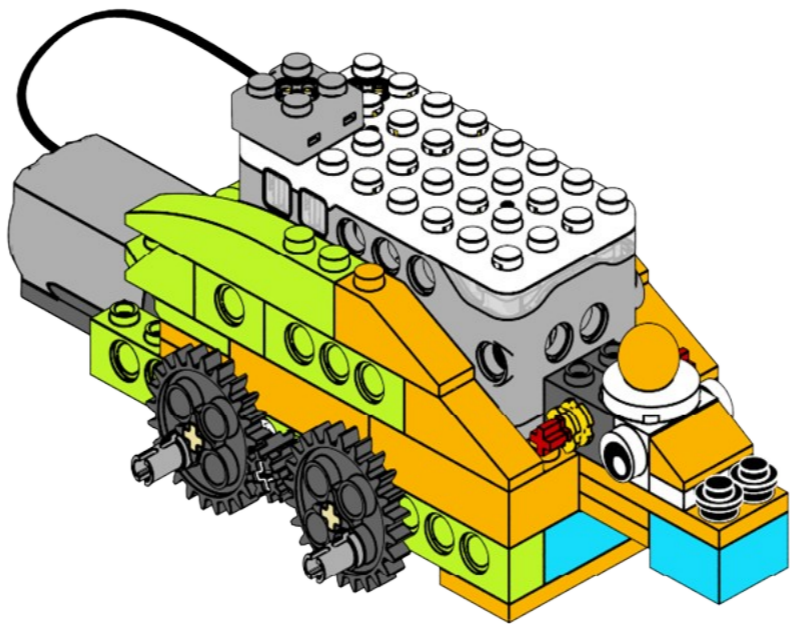


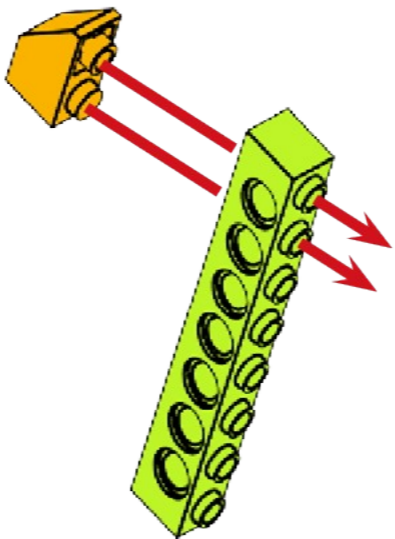




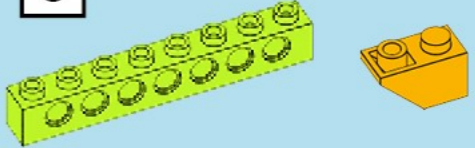




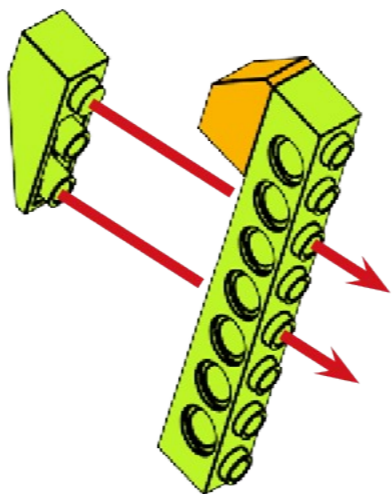
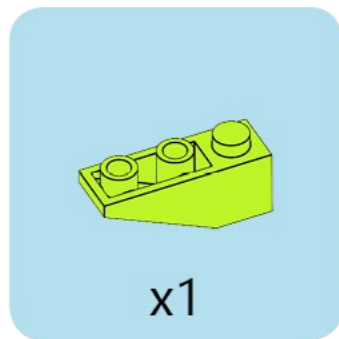


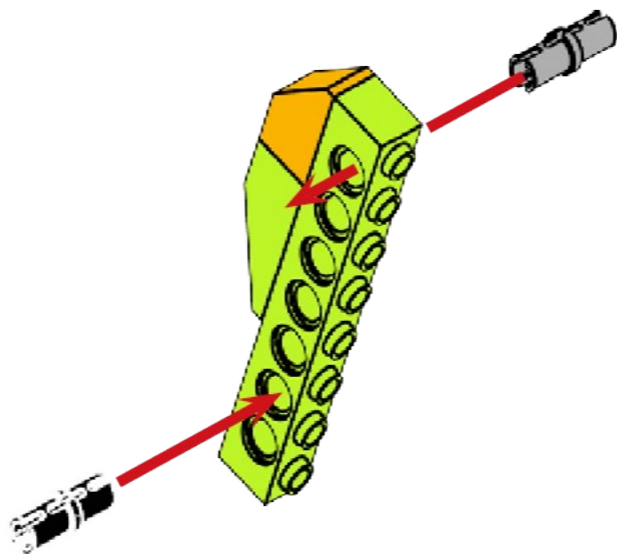


8

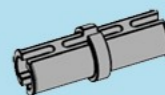


x1 x1



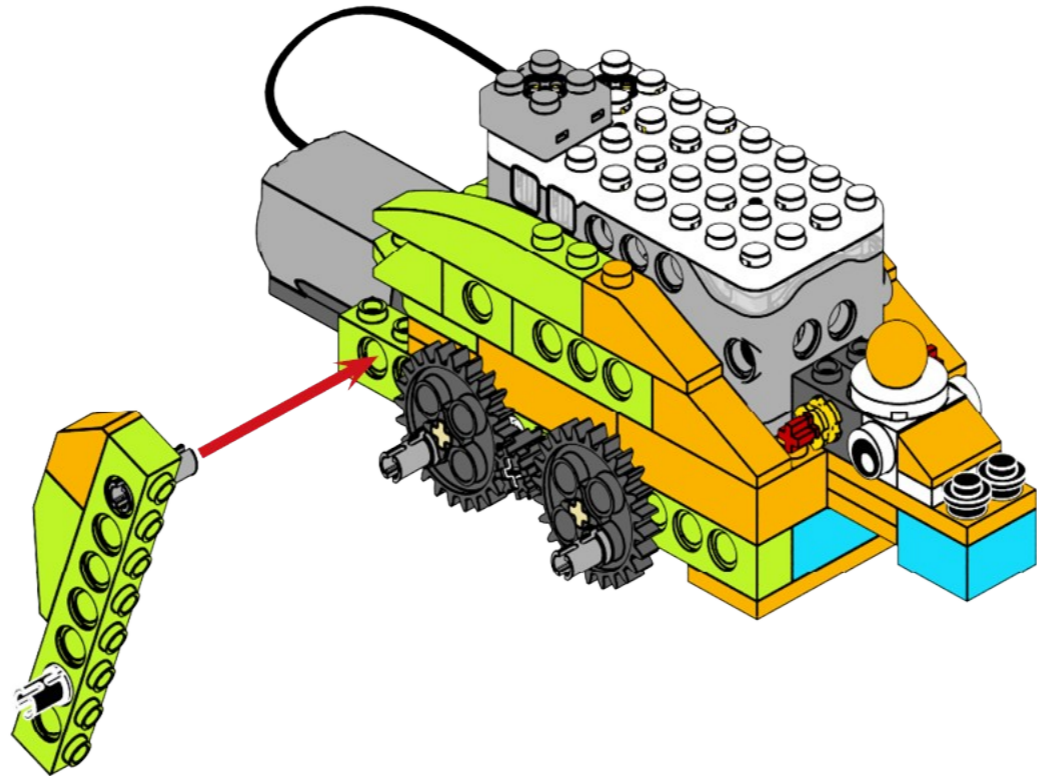


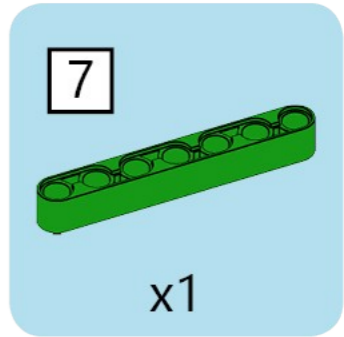
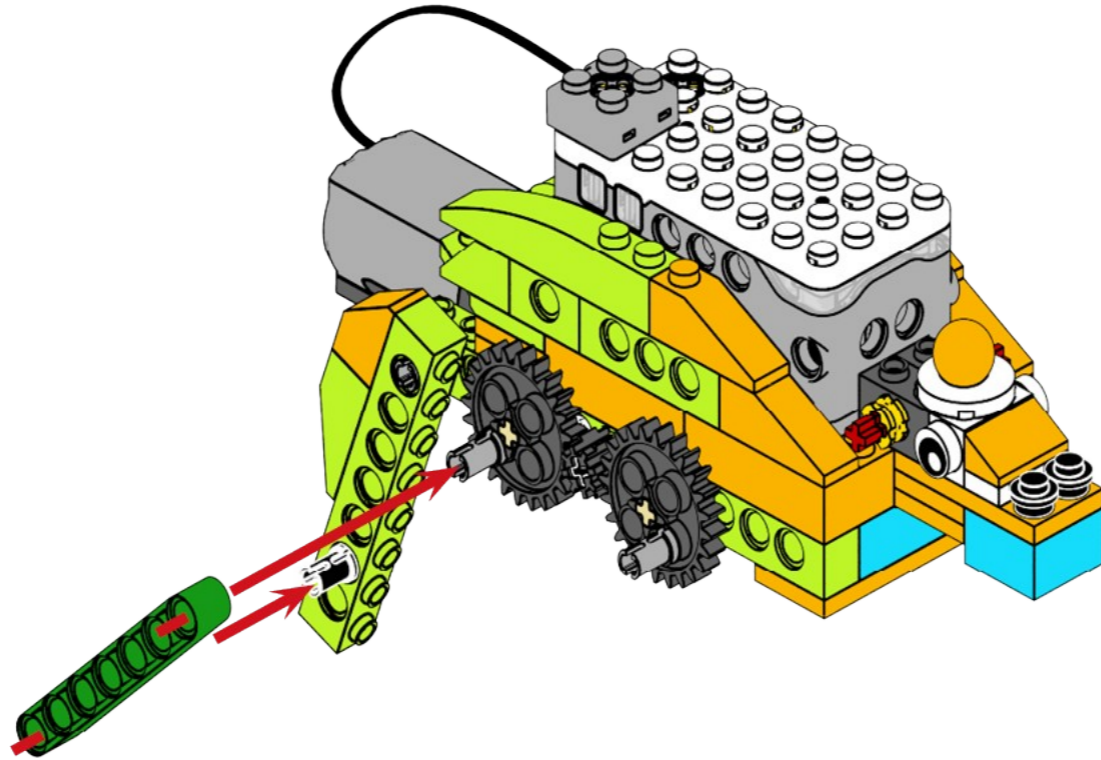
x1

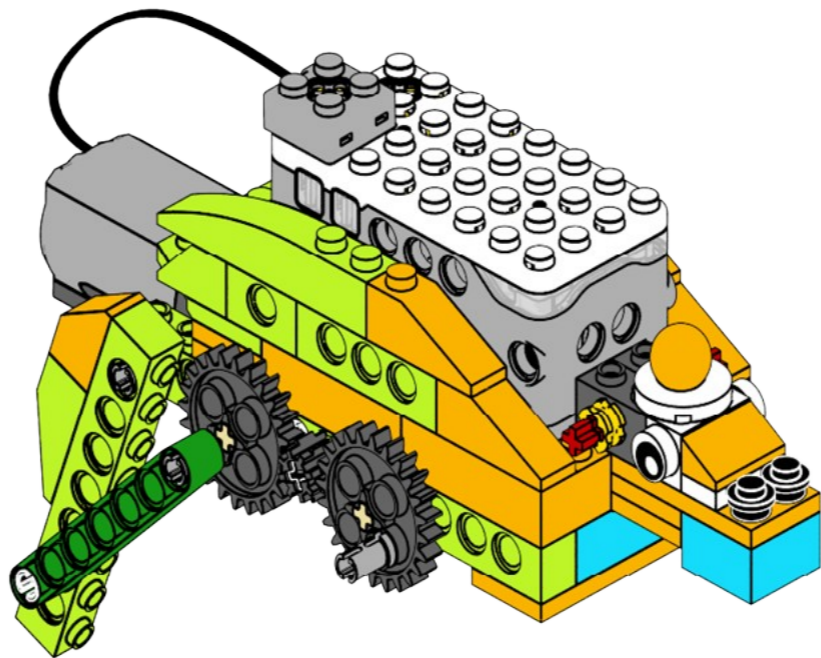


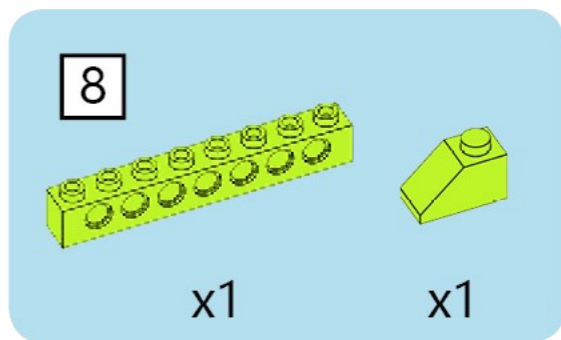
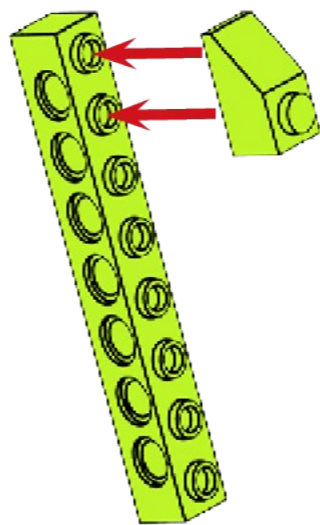
x1

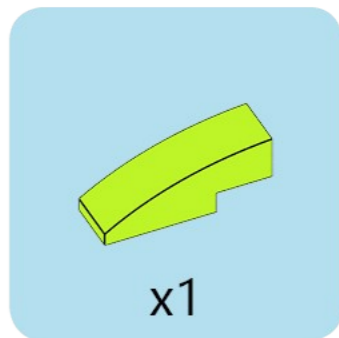
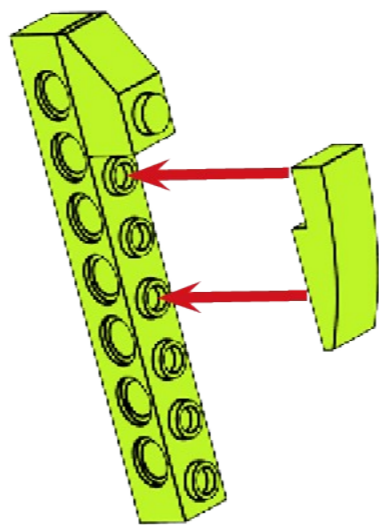


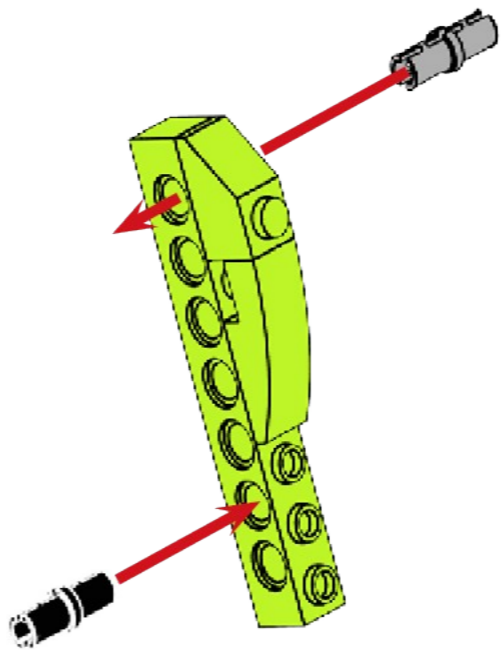




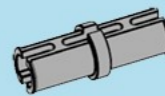




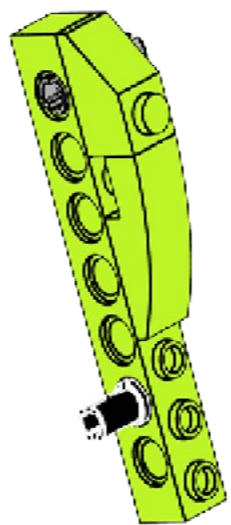


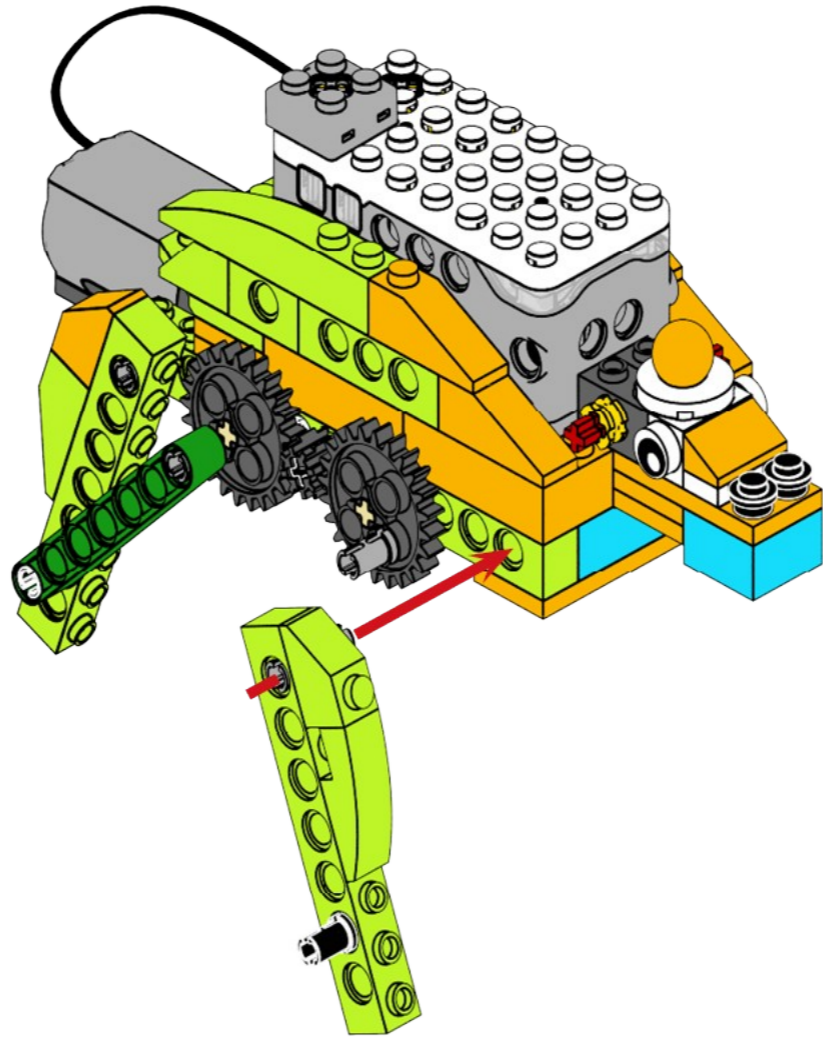


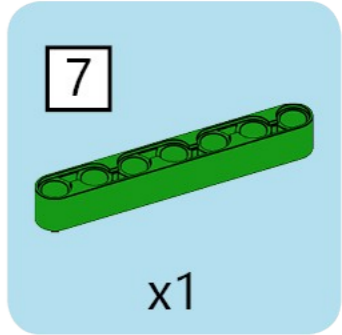
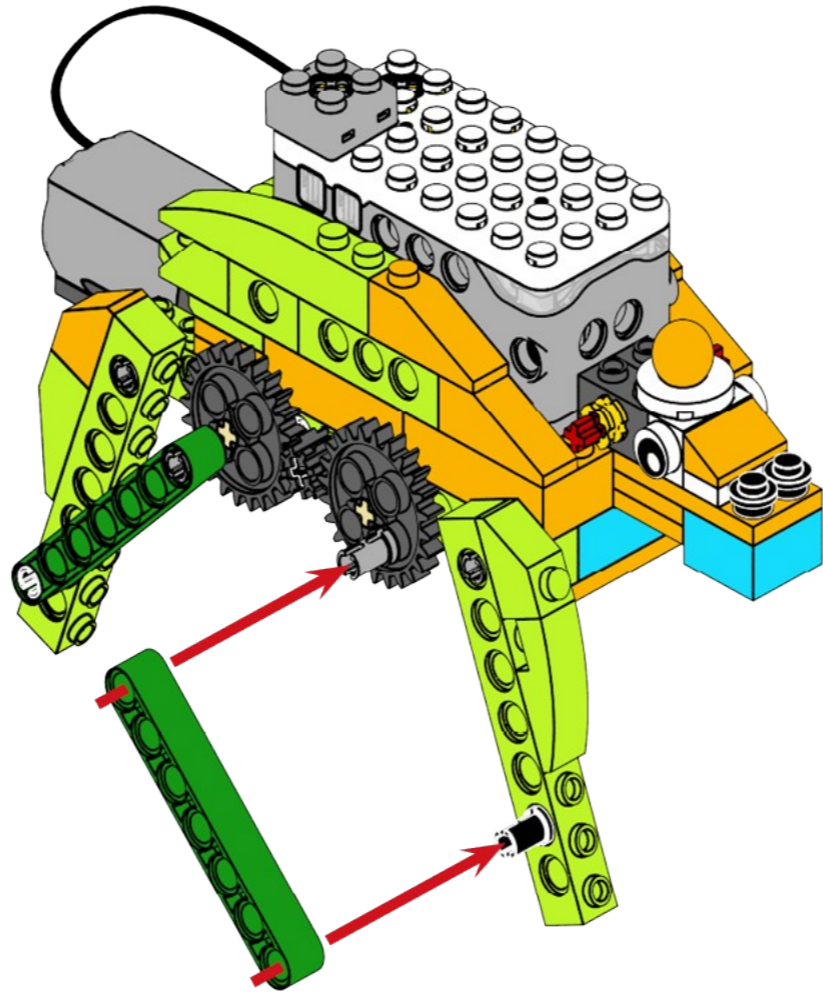
x1

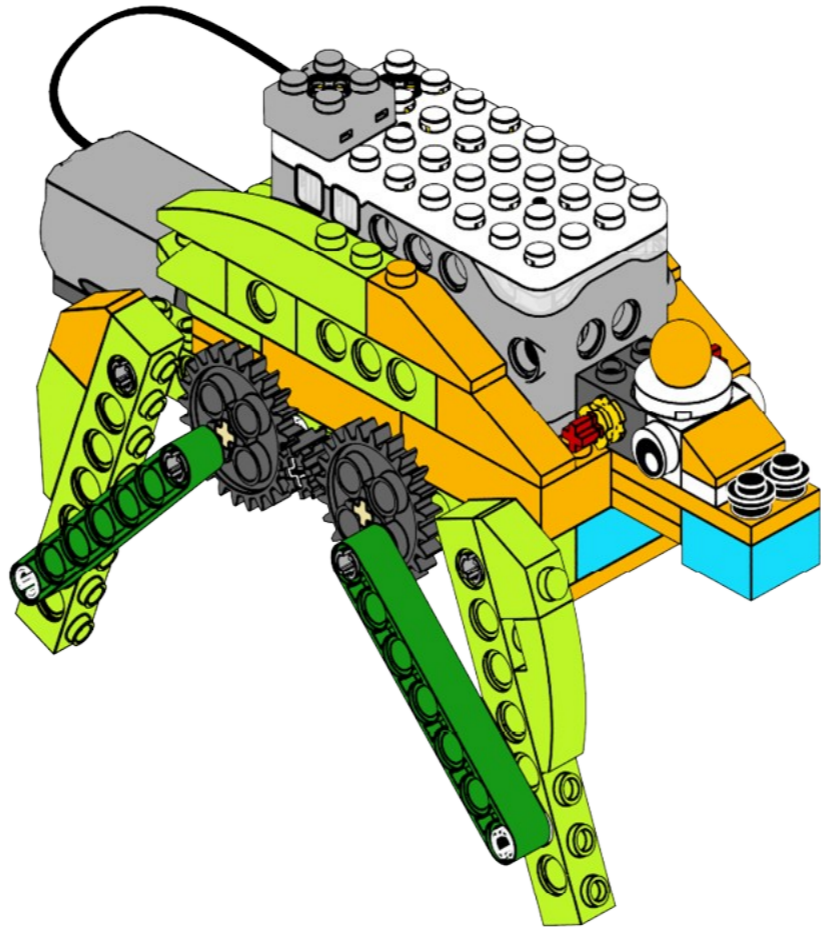


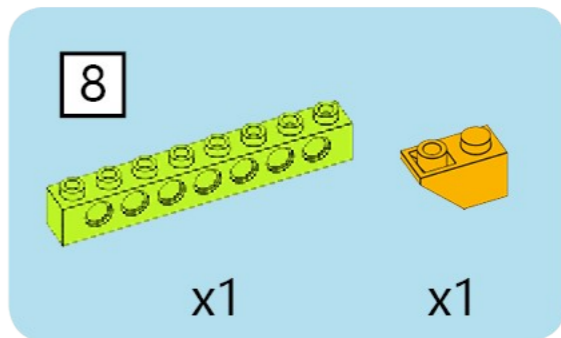
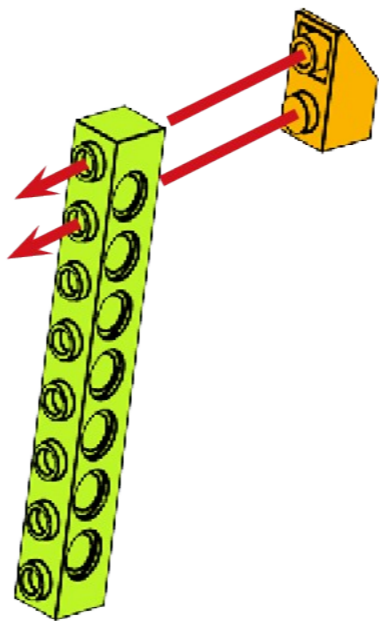
x1

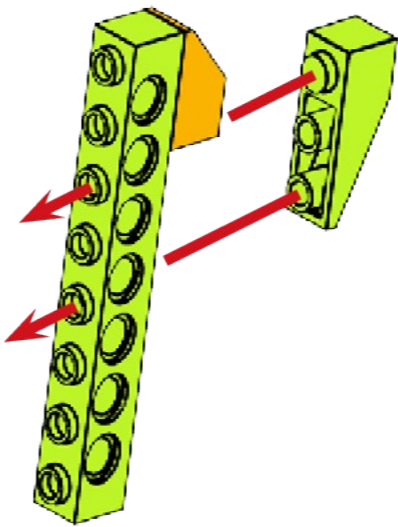
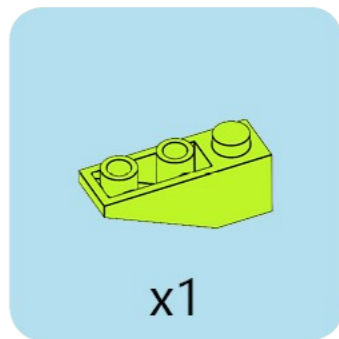


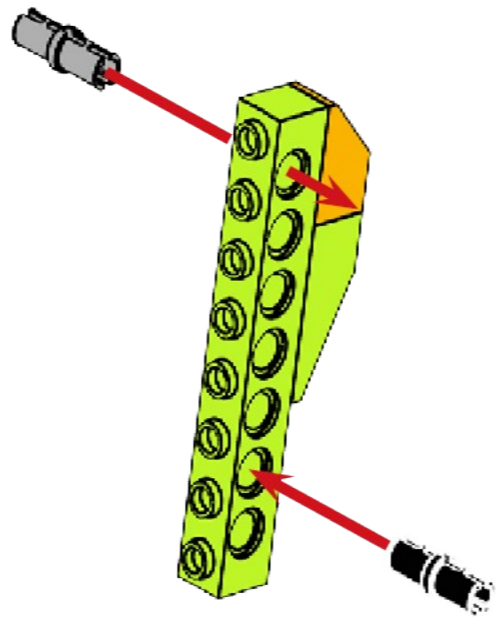




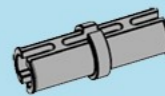




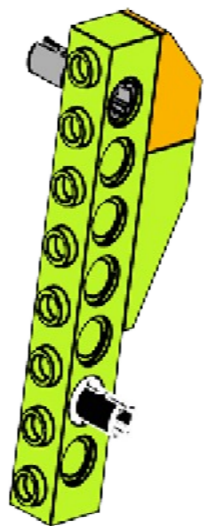


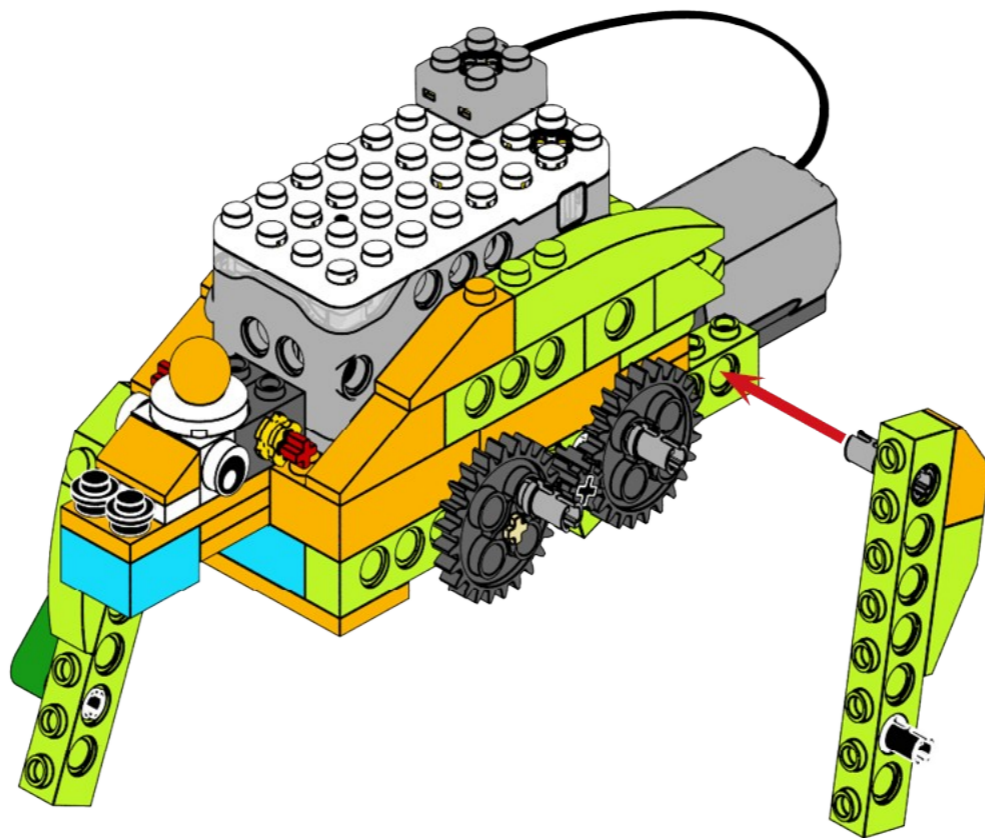


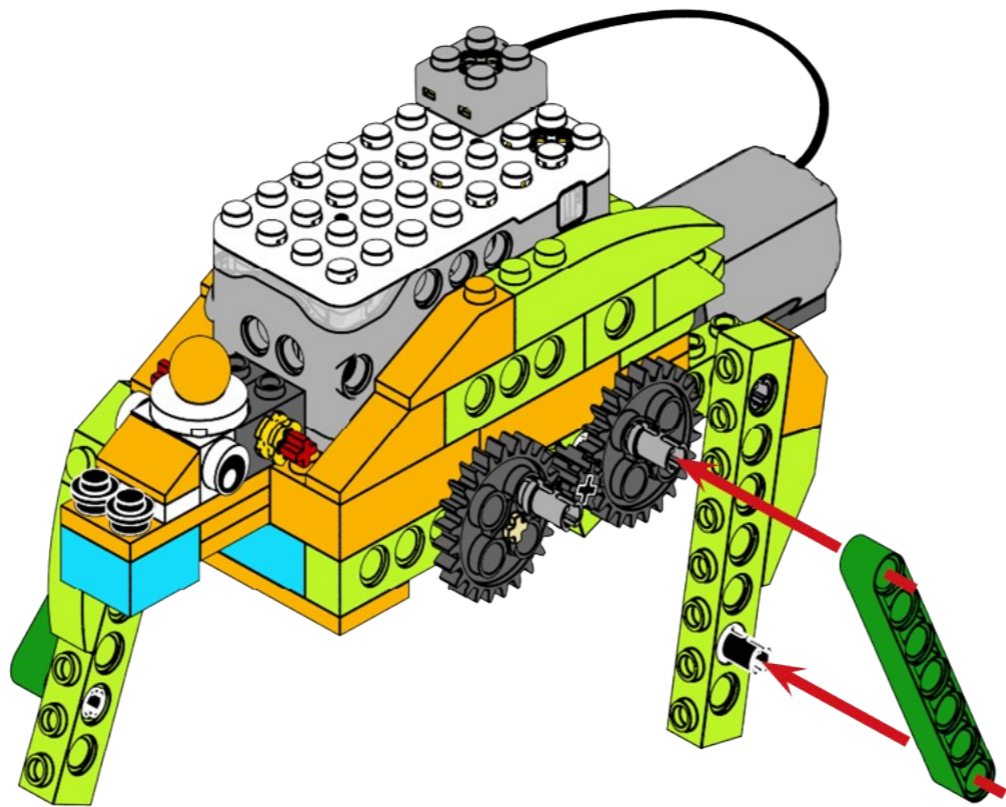
x1



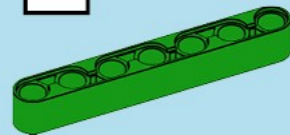
x1



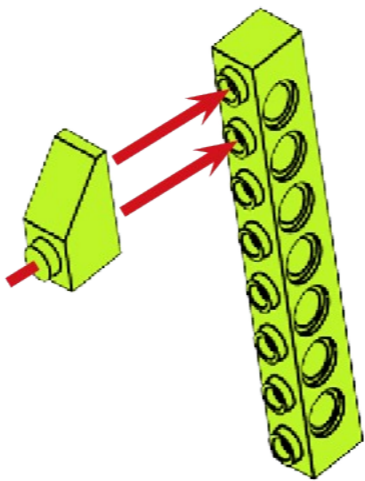
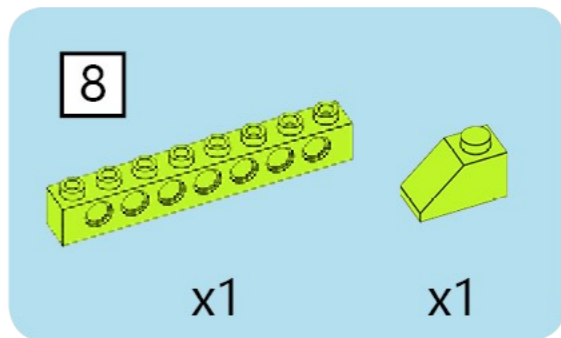


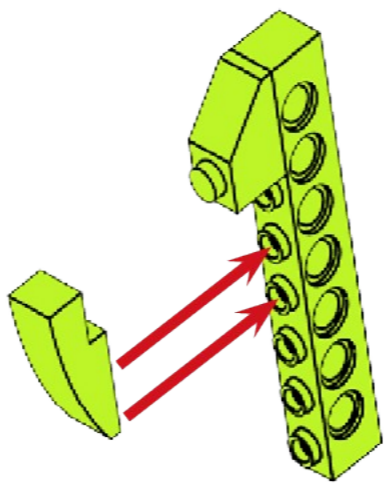
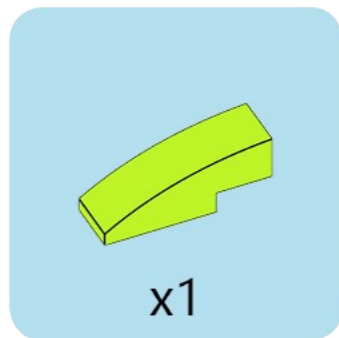


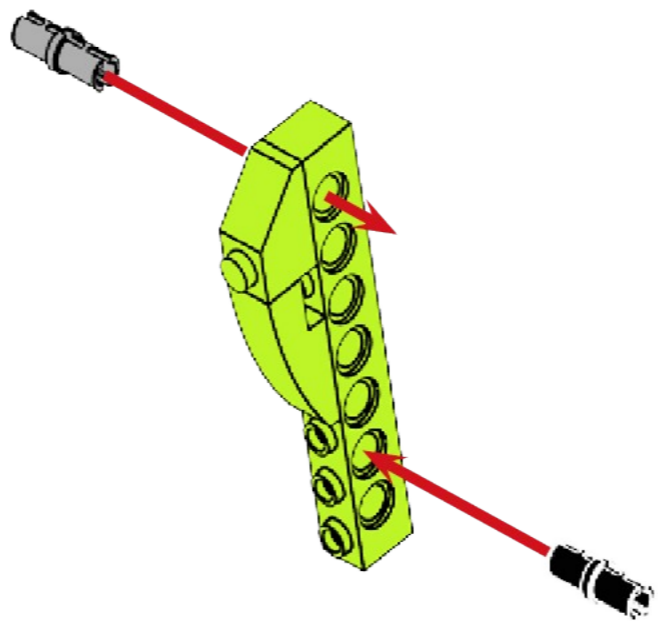
7



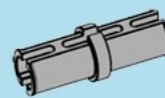
x1



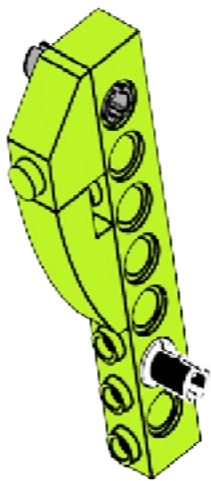


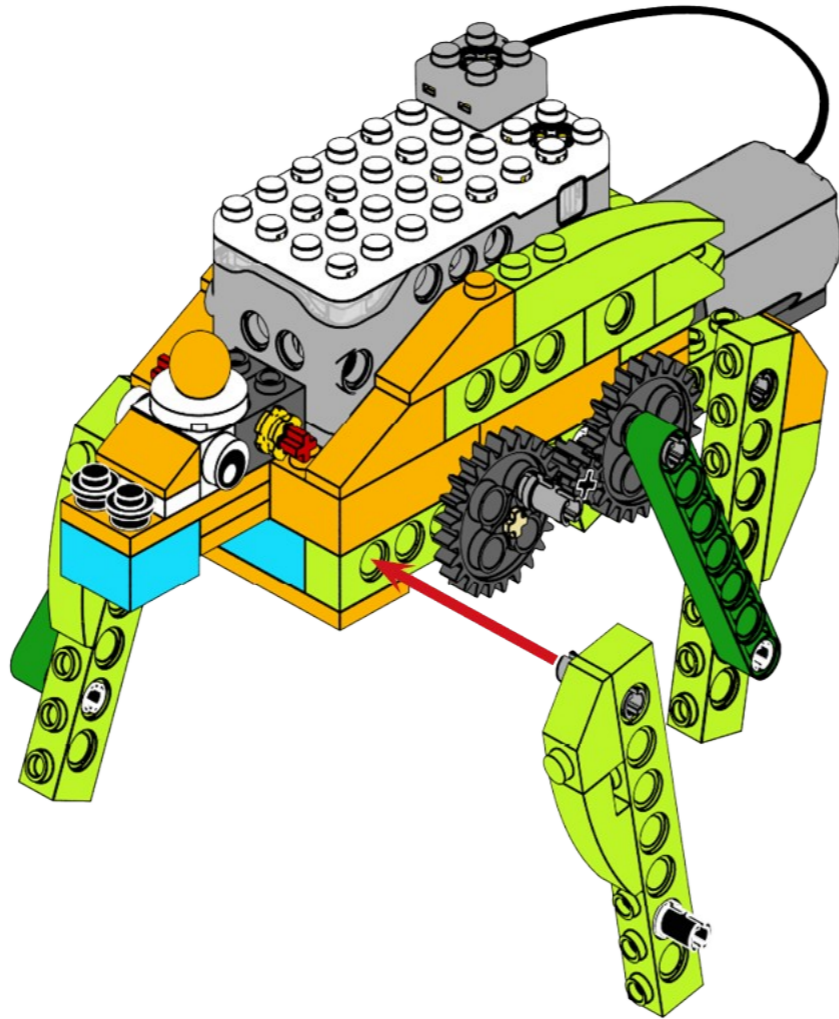


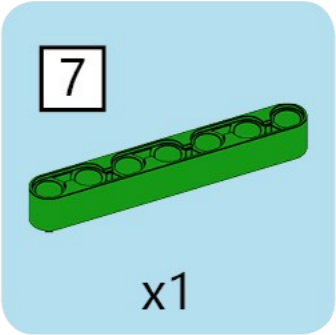
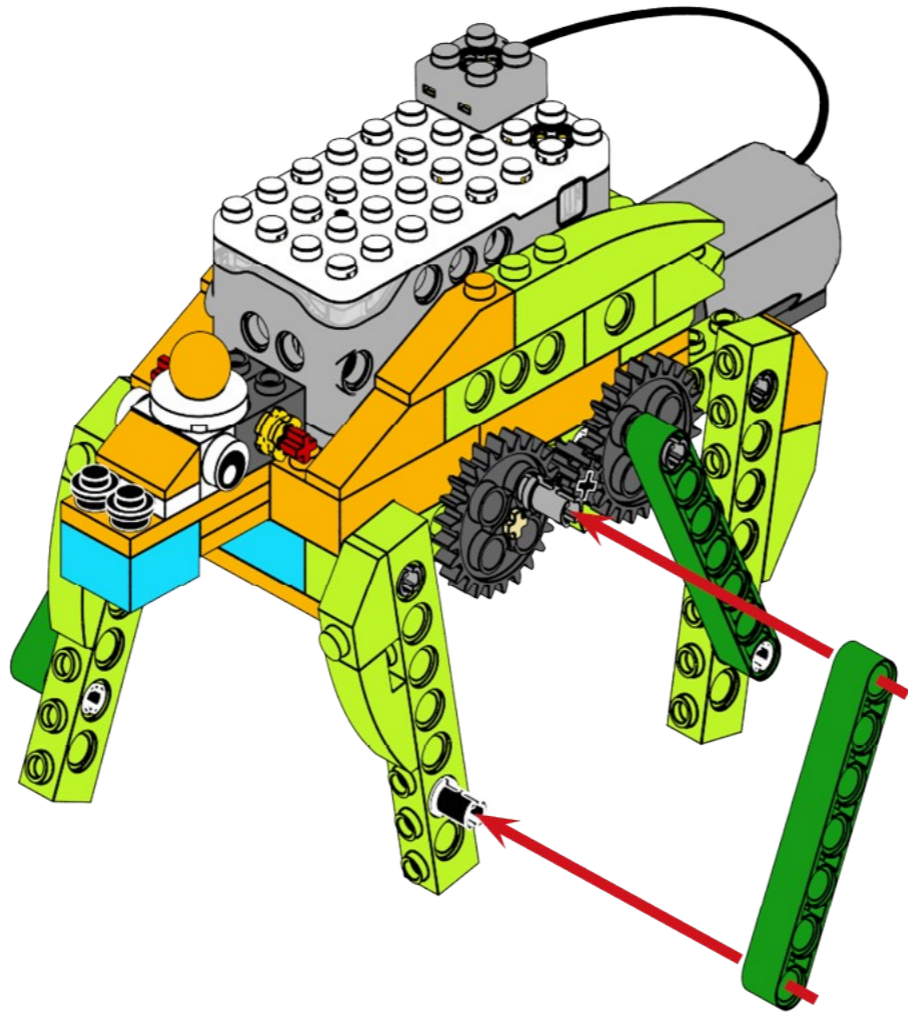
x1

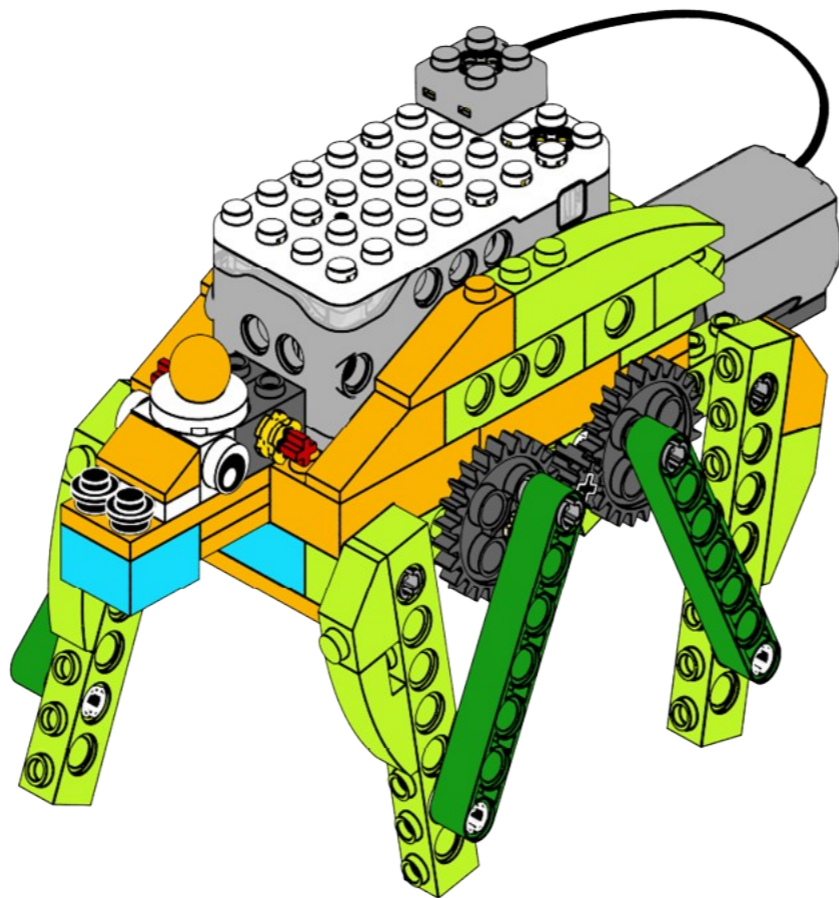


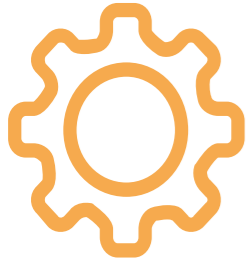
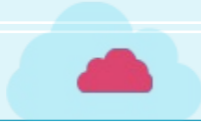
x1



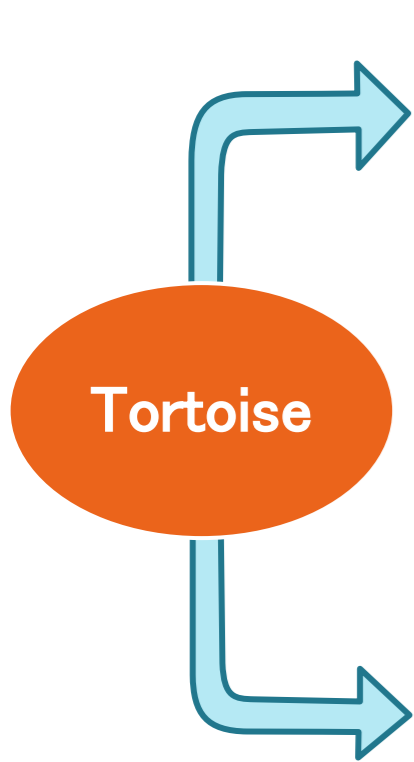








Review



Knowledge Development



Turtle habits



Semi-aquatic and semi-terrestrial reptiles



Turtles are omnivorous animals



Turtles don't have vocal cords and can't make any sound.



Tortoises rely on sight and smell to find food

Basic Transmission



Vertical gear drive



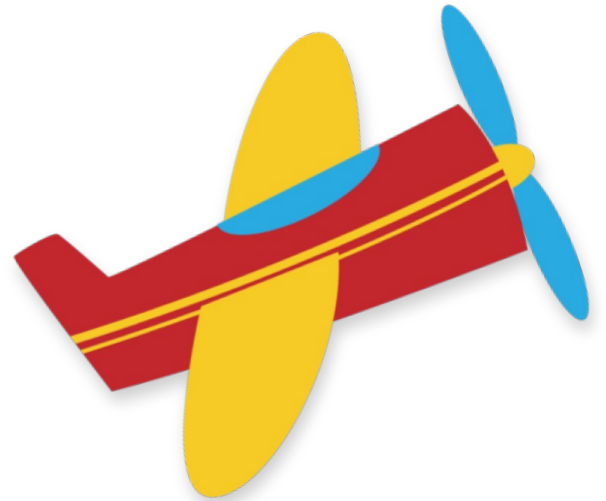
Idler



Crank rocker



Talk





THANKS

