



Logic

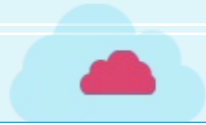
Space



Coding



Focus



Classroom Discipline

01

Please sit down and keep quiet in class.

02

Please raise your hand if you have any questions

03

Please observe carefully when the pictures are played.



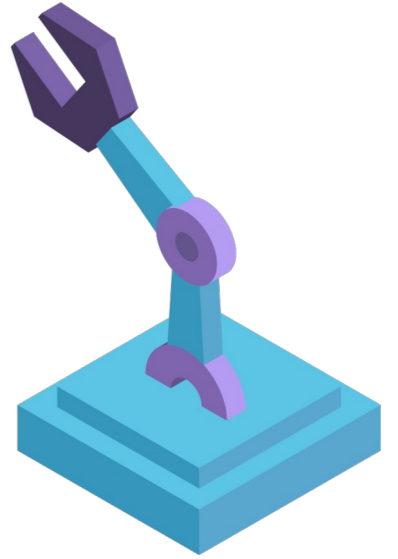


The Planets



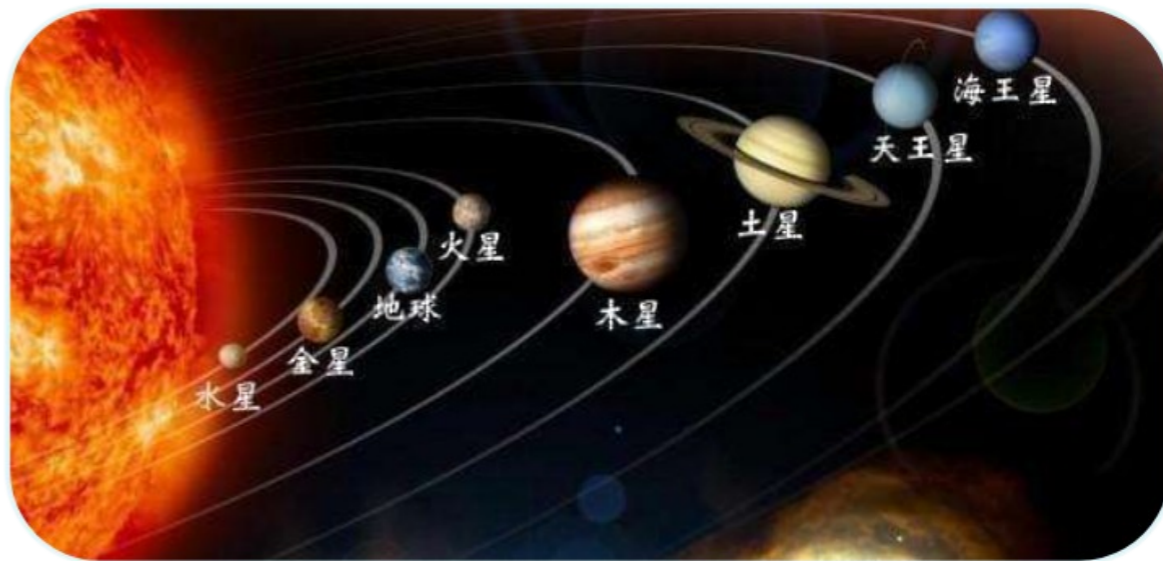


Think



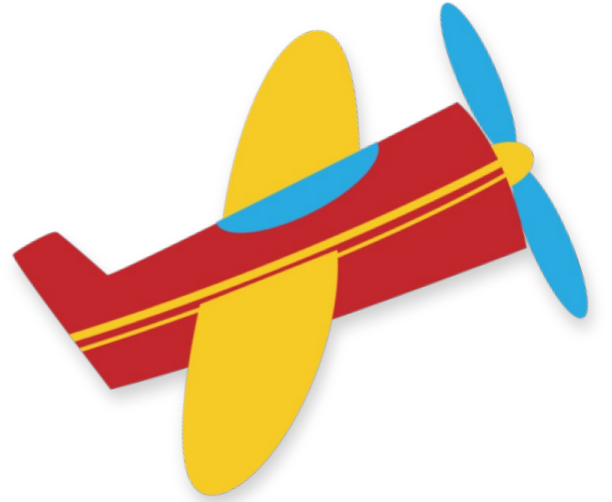


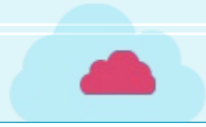
1. Do you know where our home is?
2. Can anyone share the eight planets?





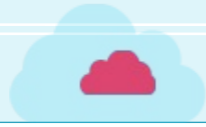
Explore



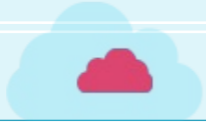


1. How to distinguish between revolution and rotation?

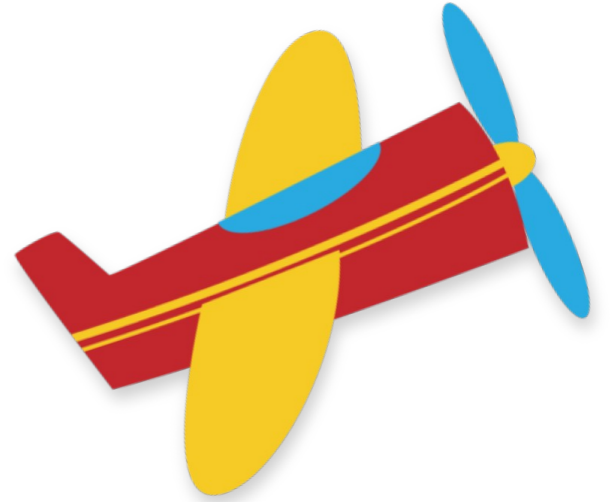
2. So what are stars and what are planets?

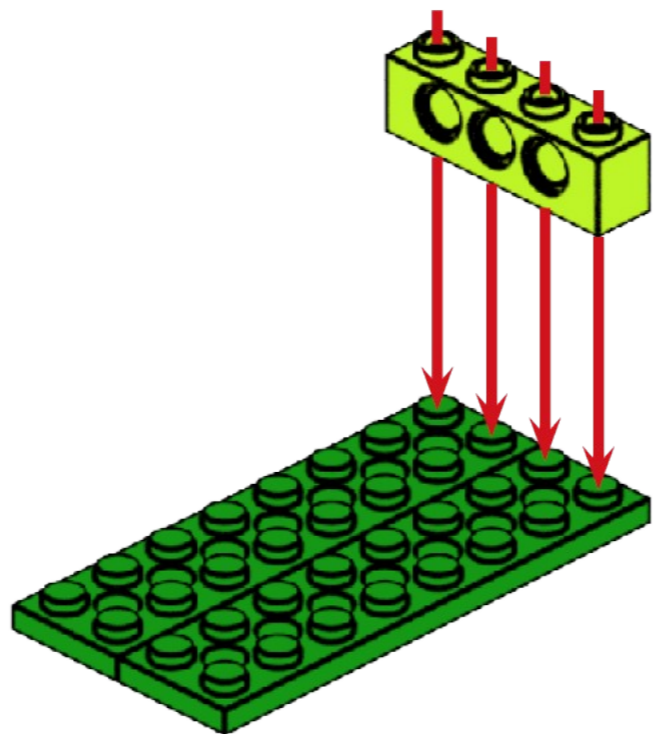


1. What facilities in life are similar to those on our stars and planets?

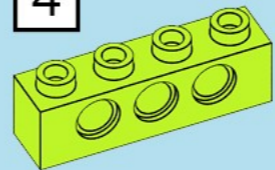


Build



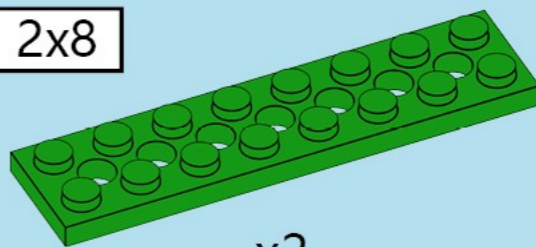


4



x1

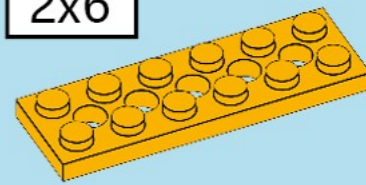
2x8



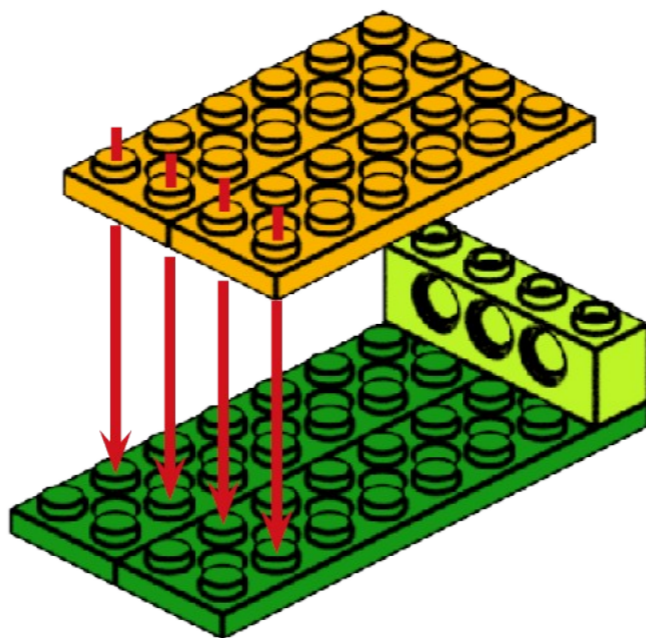
x2

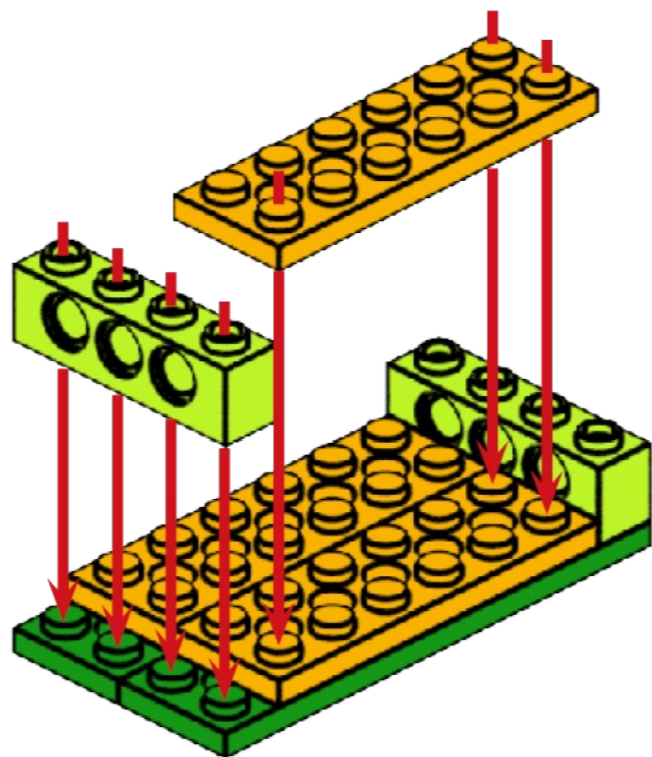


2x6

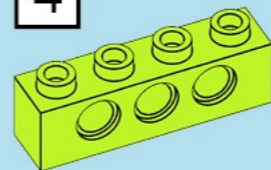


x2



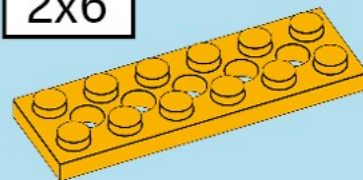


4

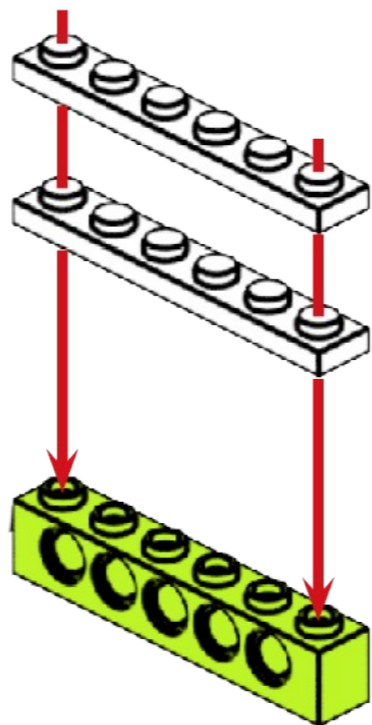


x1

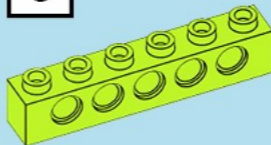
2x6



x1

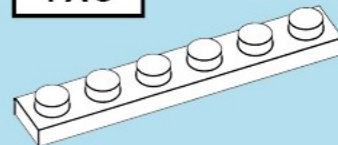


6

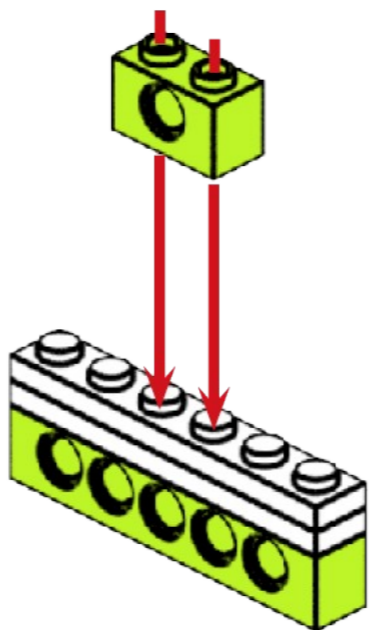
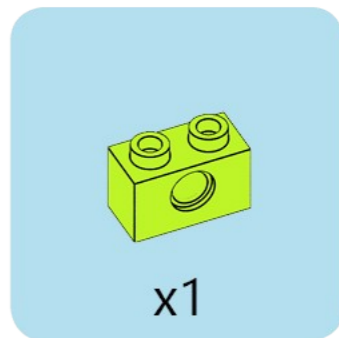


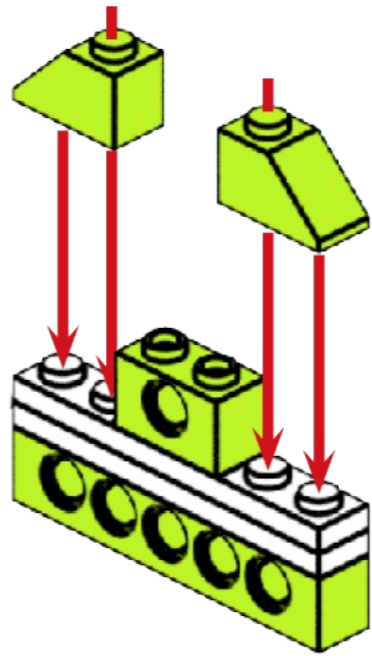
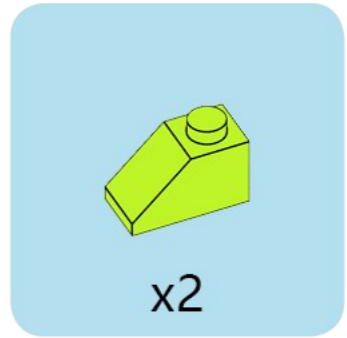
x1

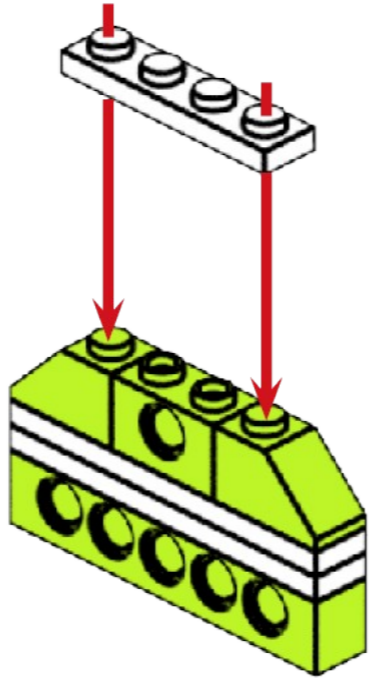
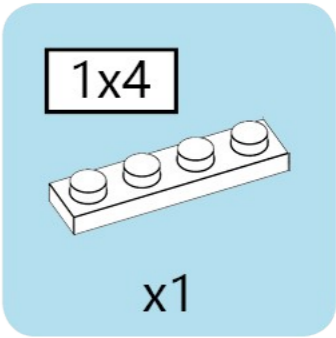
1x6

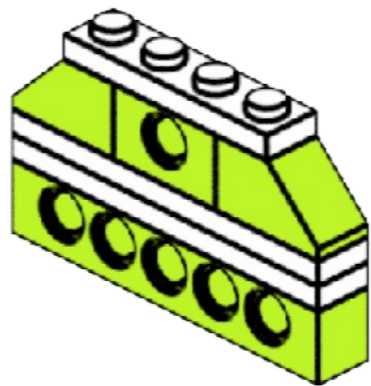


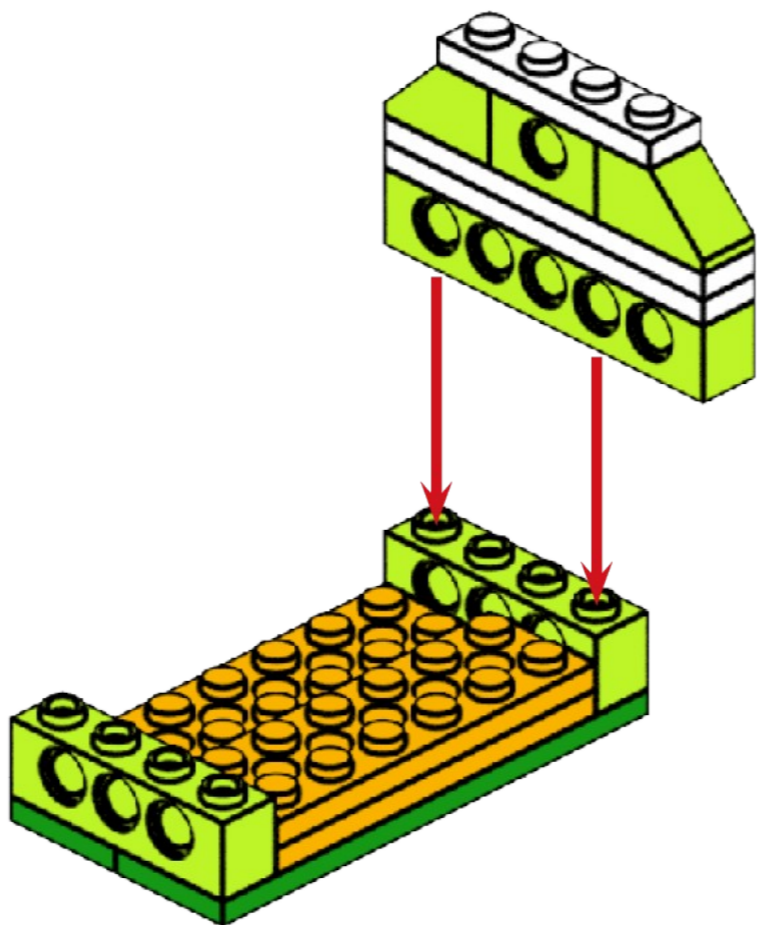
x2

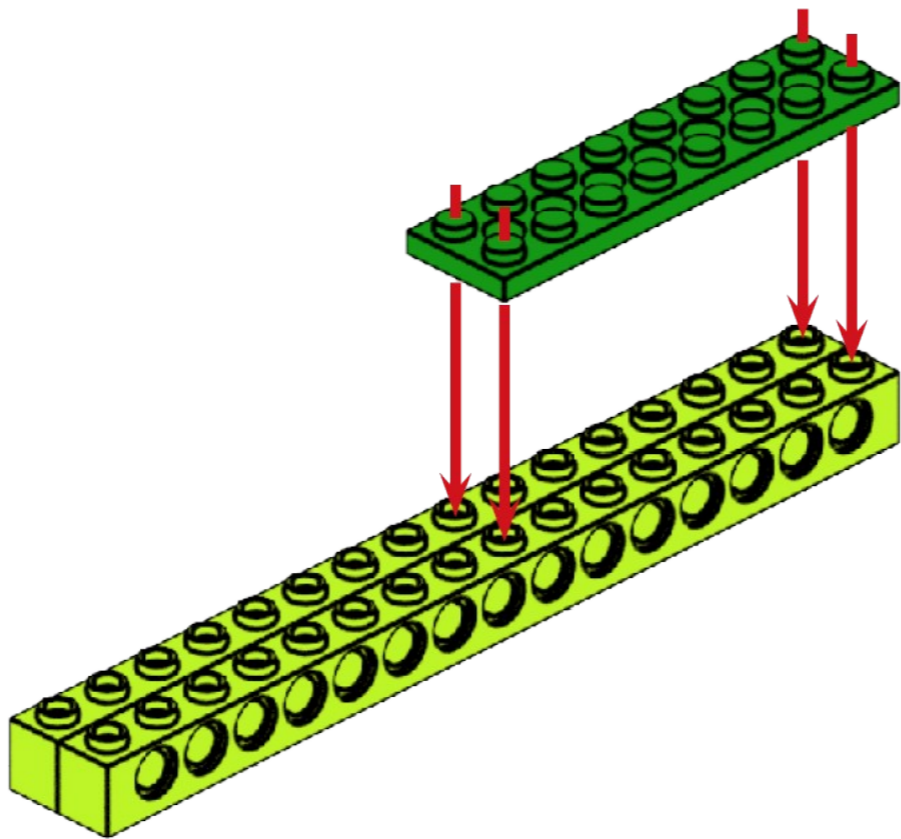




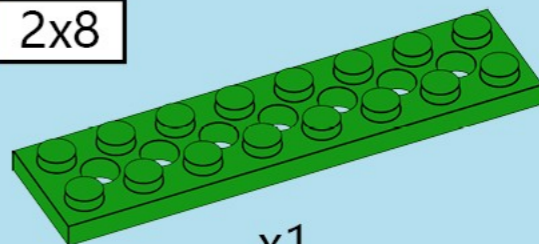






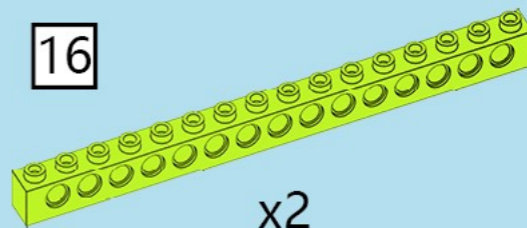


2x8

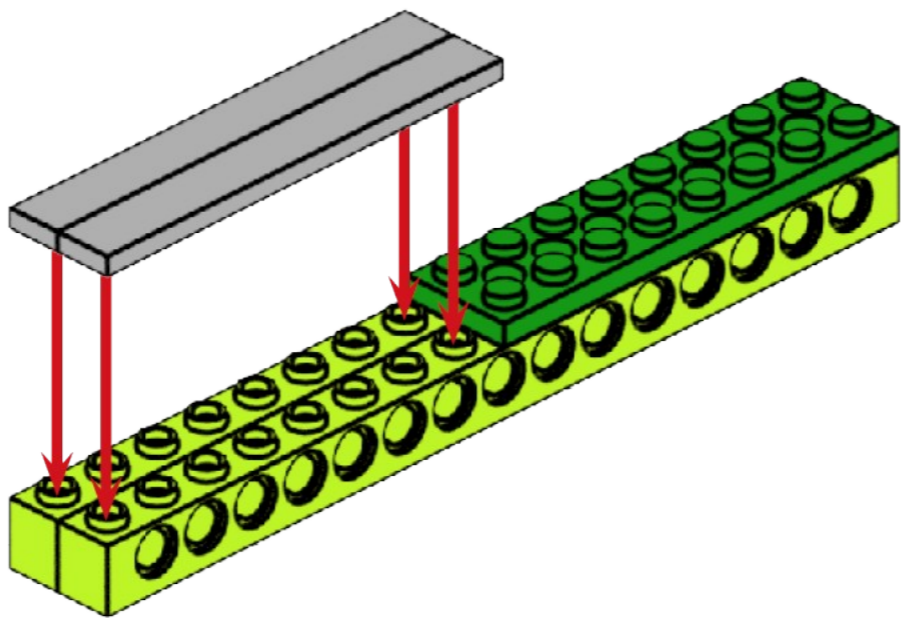
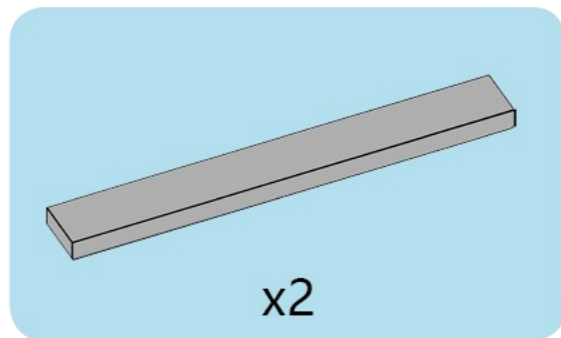


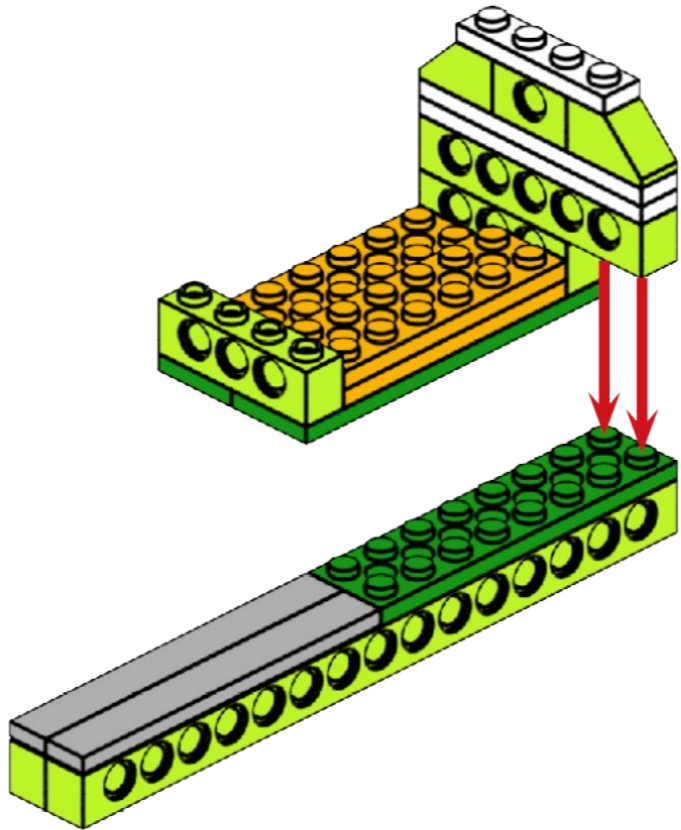
x1

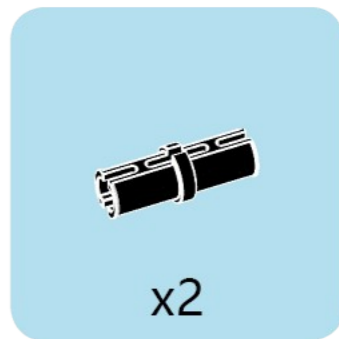
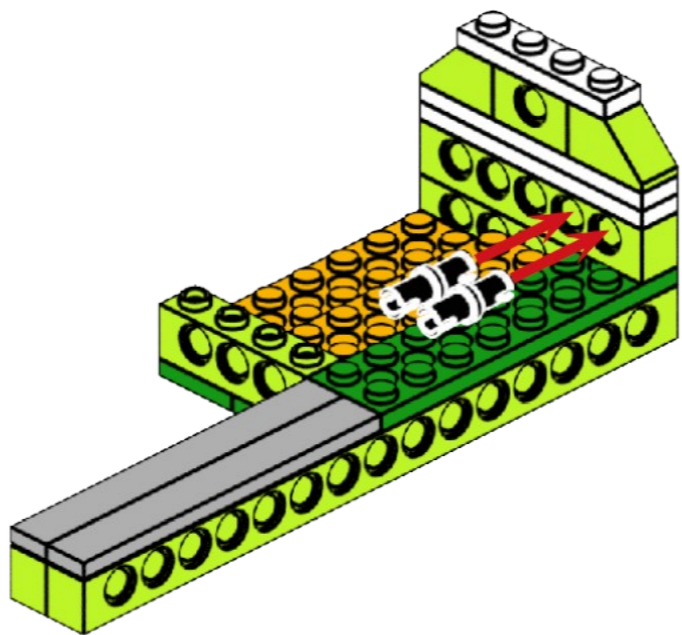
16

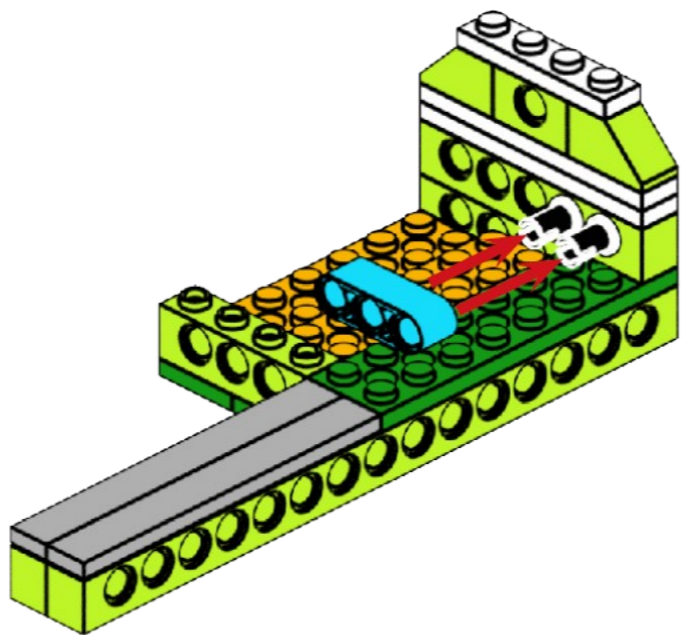


x2

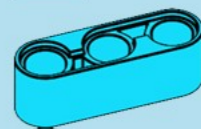




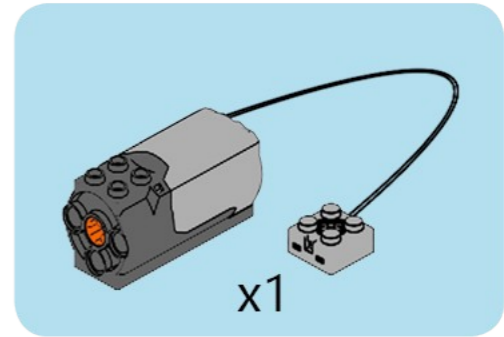
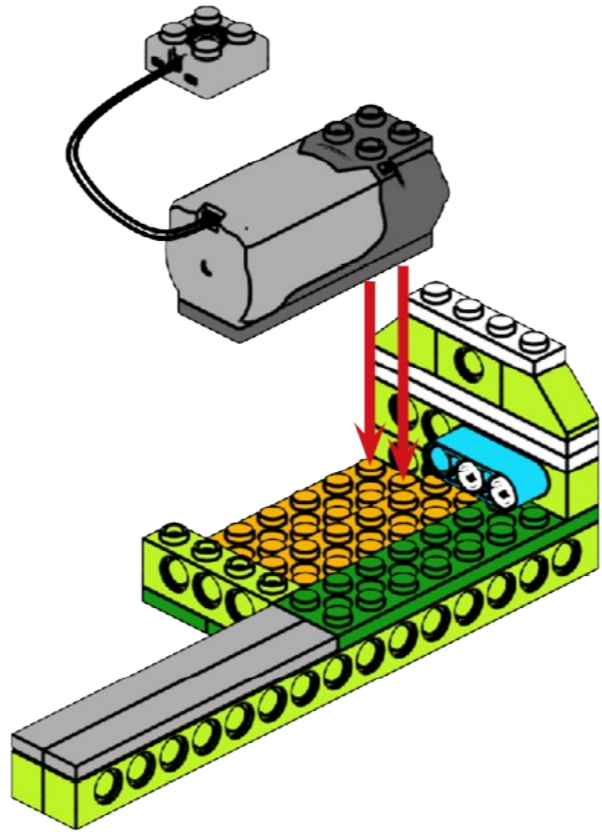


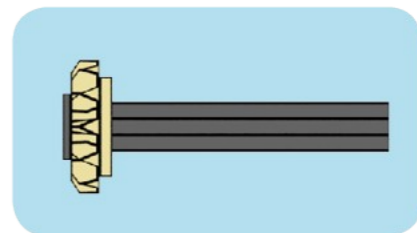
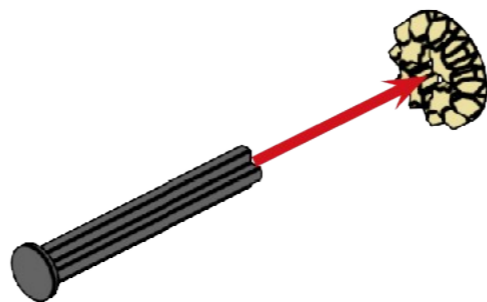
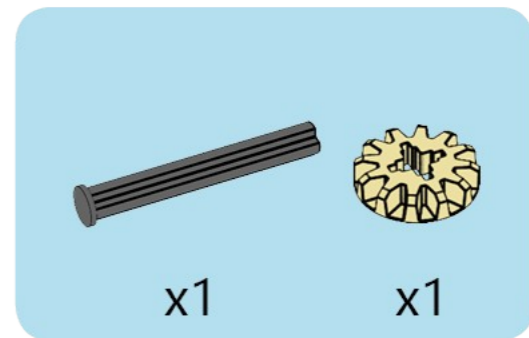


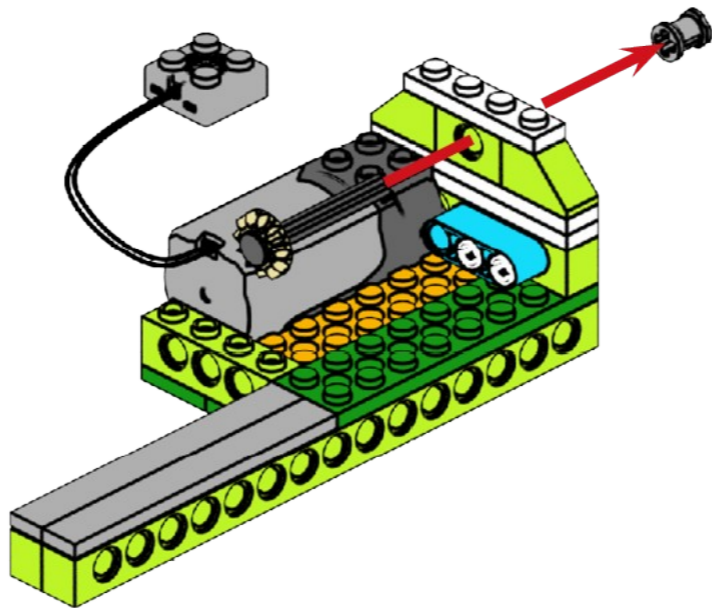
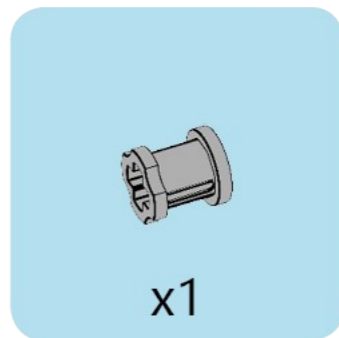
3

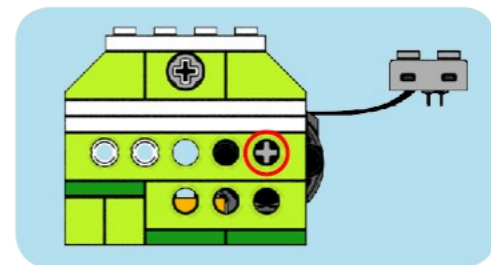
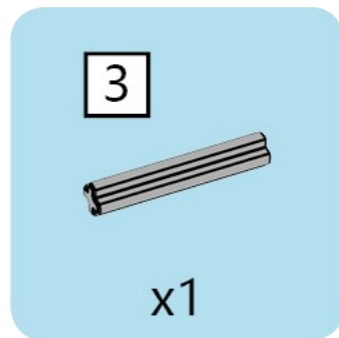
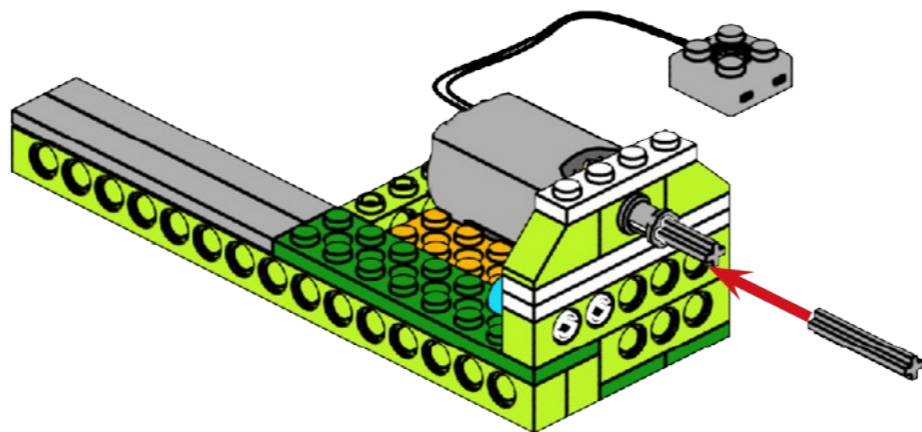


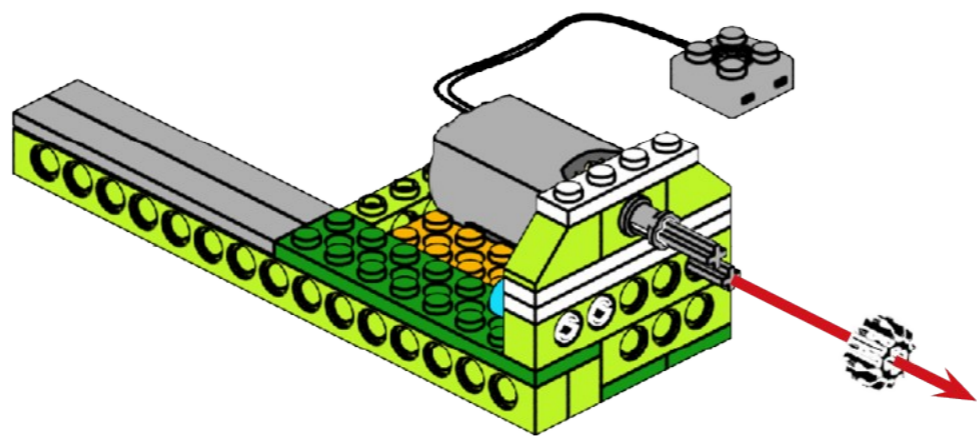
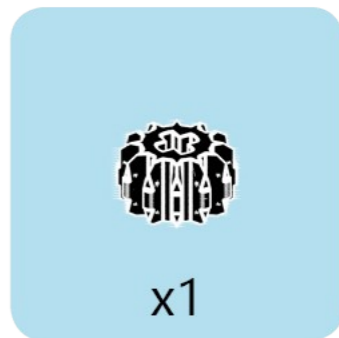
x1





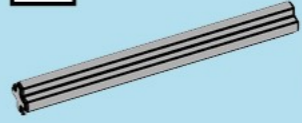








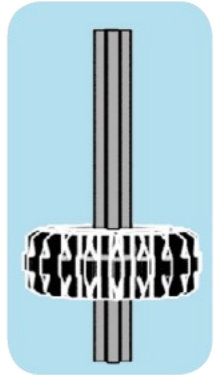
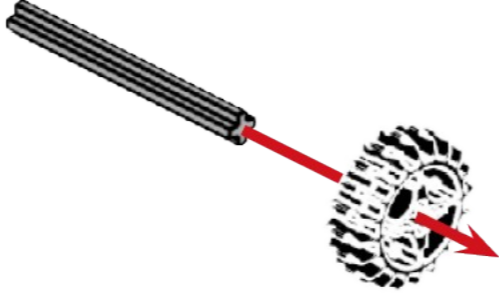
5

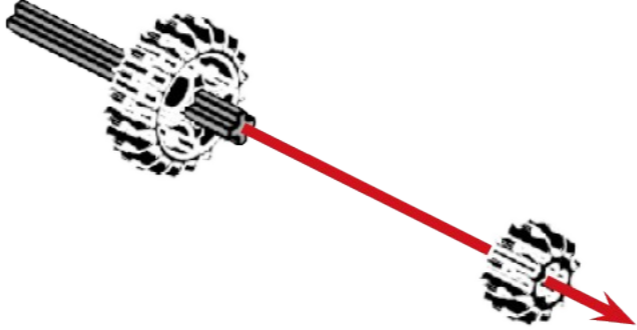


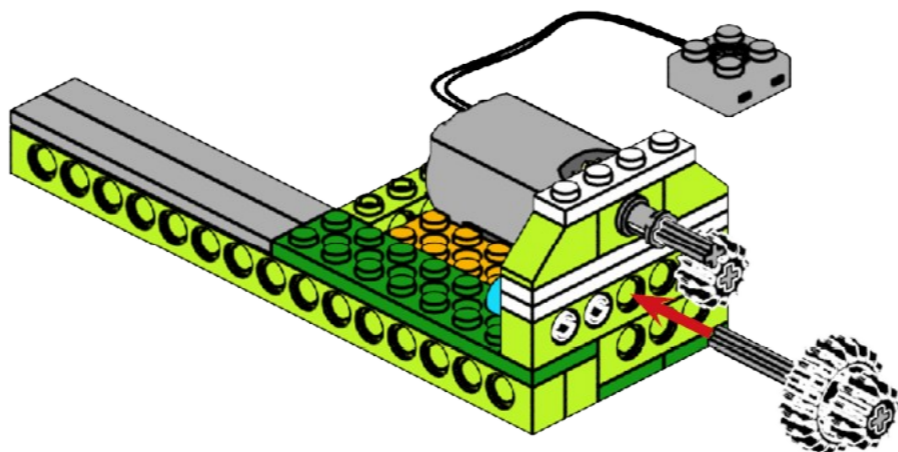
x1

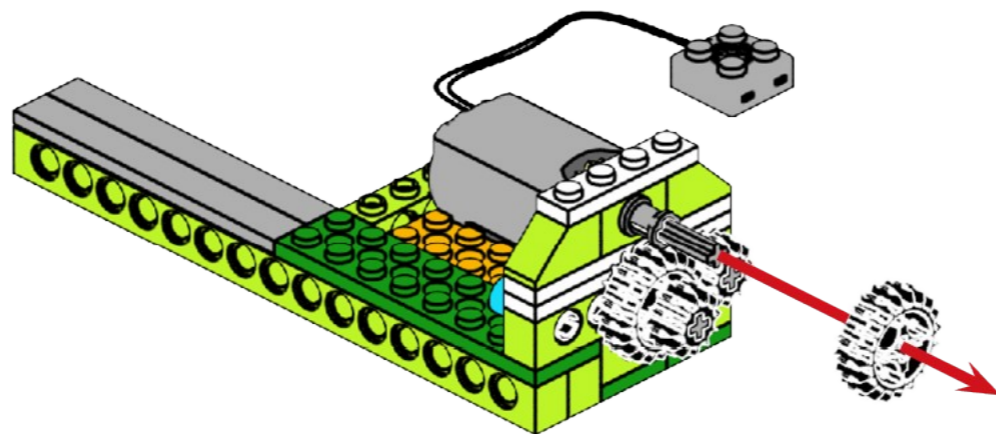
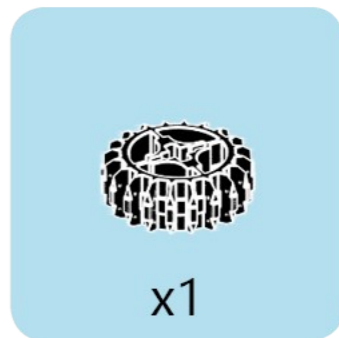


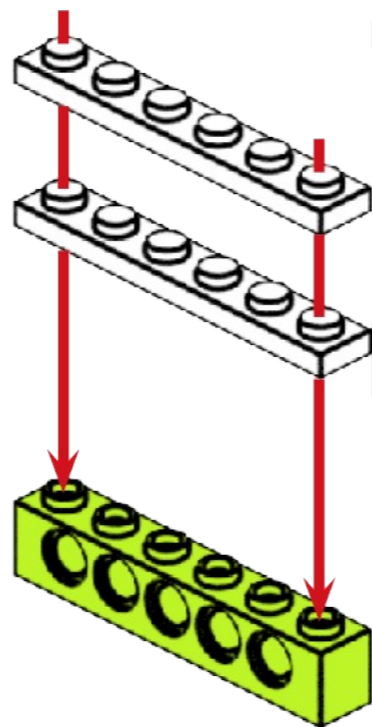
x1



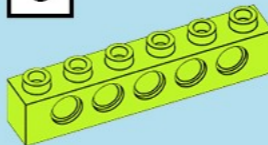






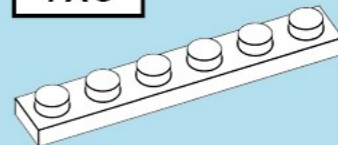


6

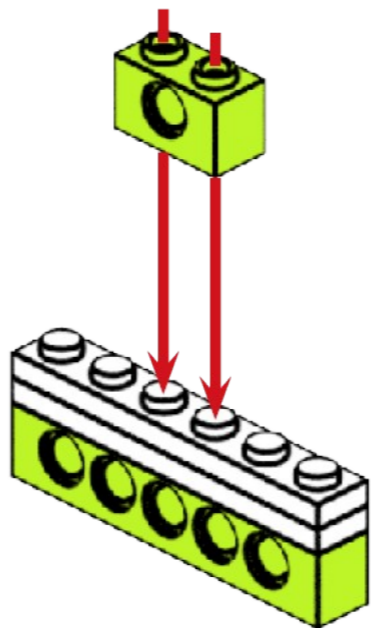
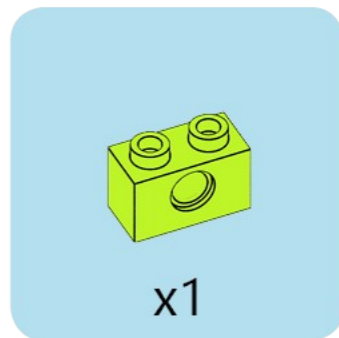


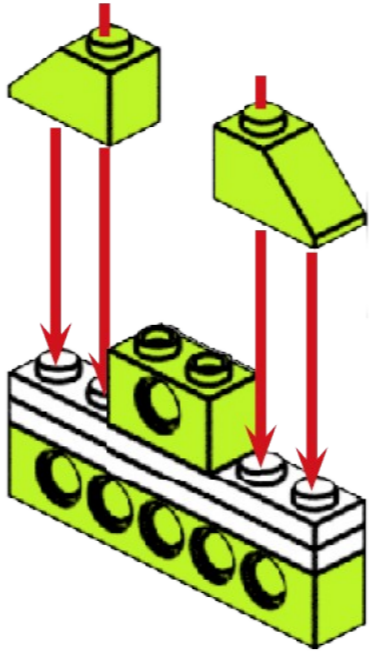
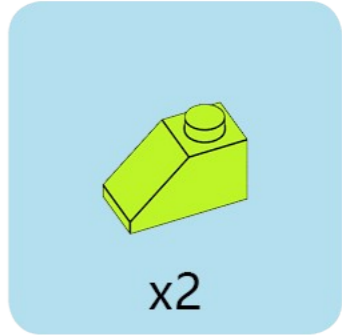
x1

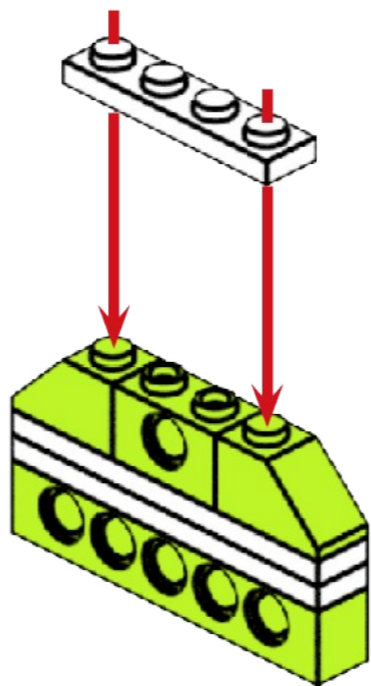
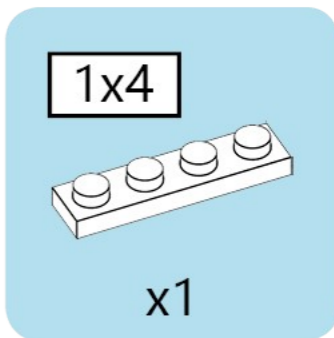
1x6

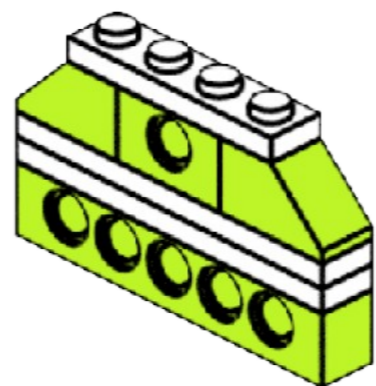


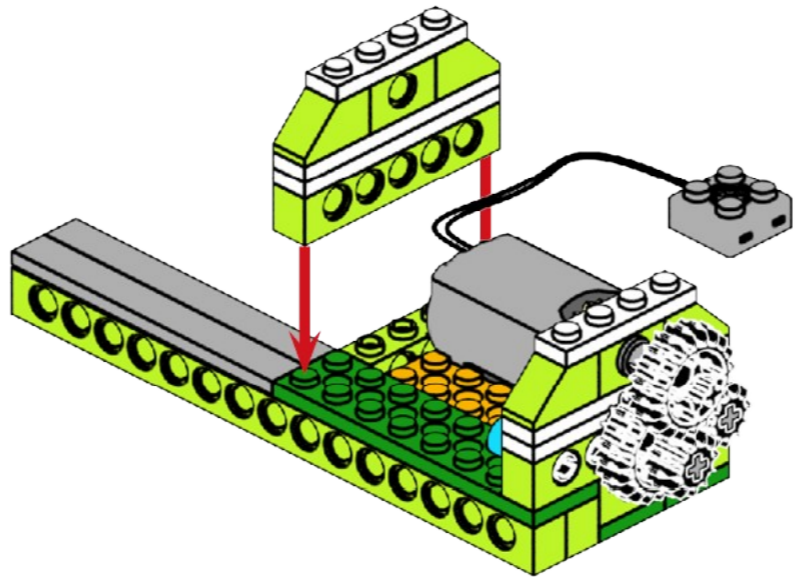
x2

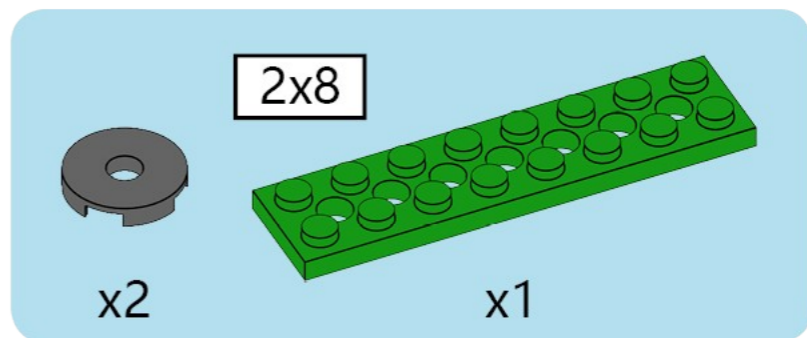
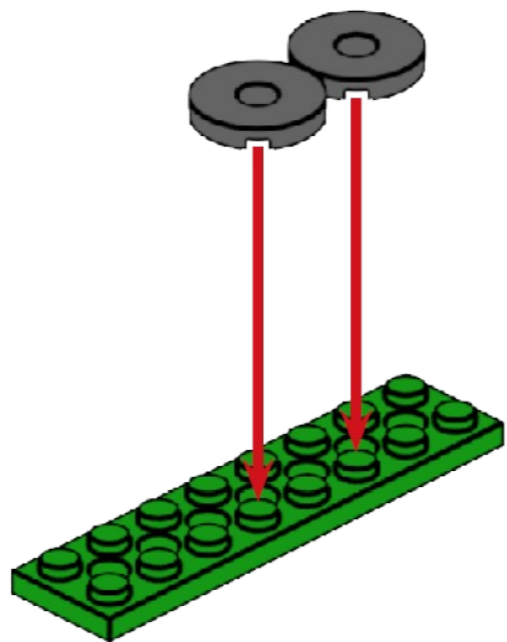


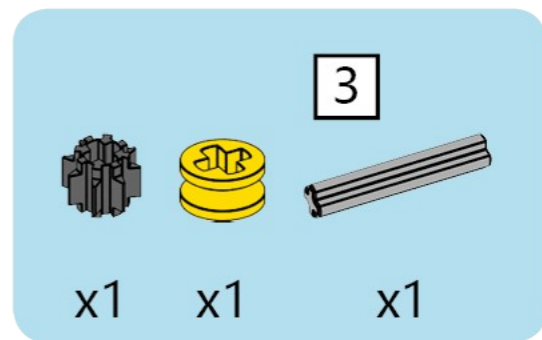


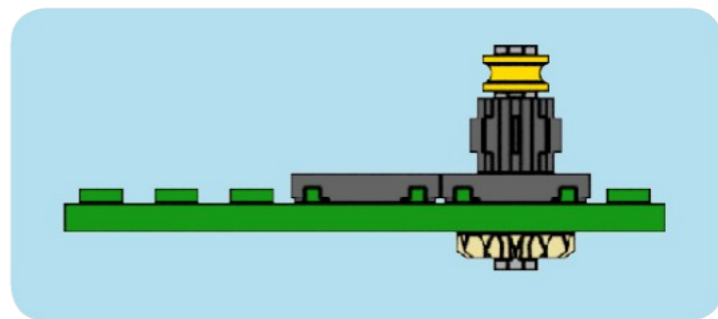
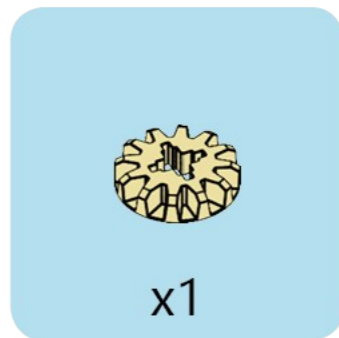
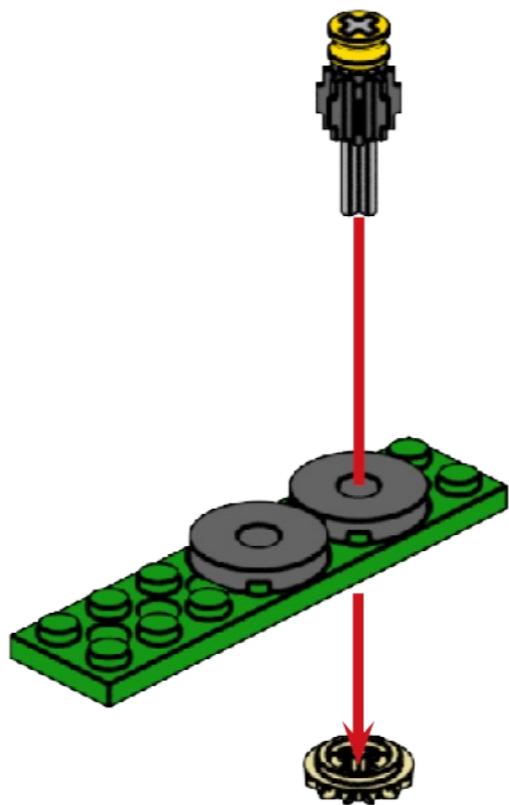


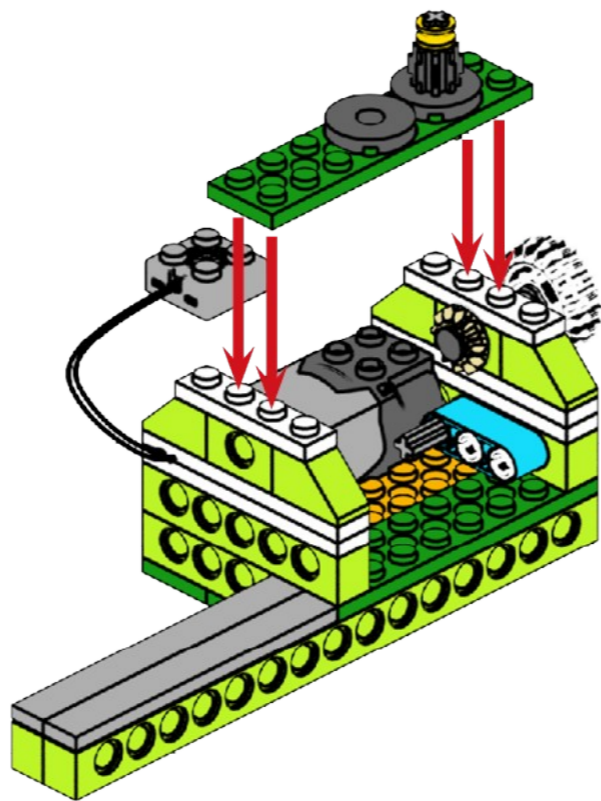


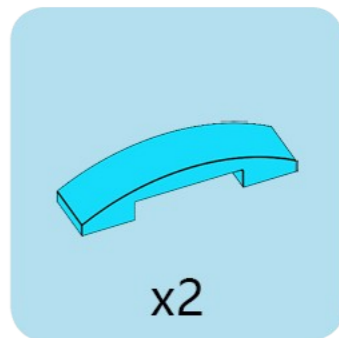
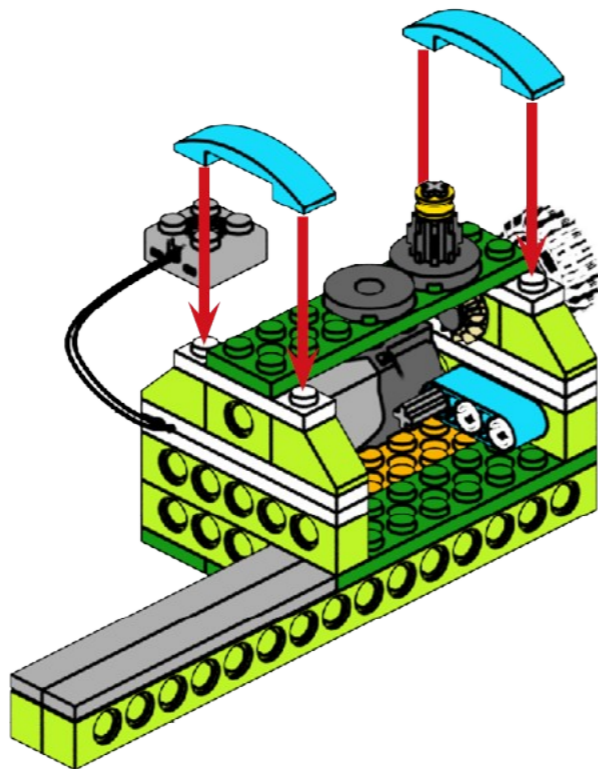


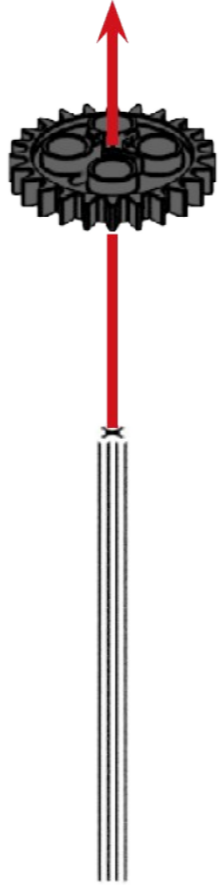








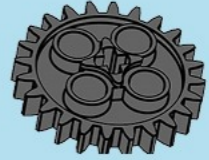




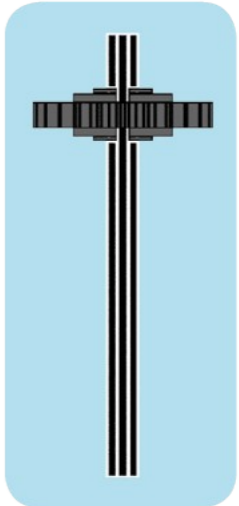
8

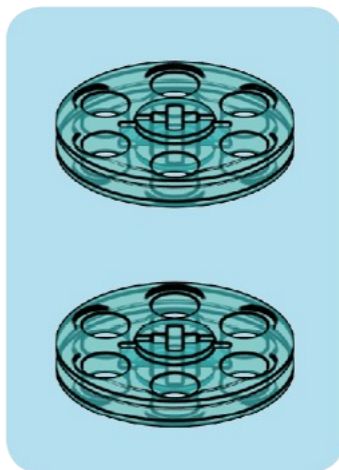
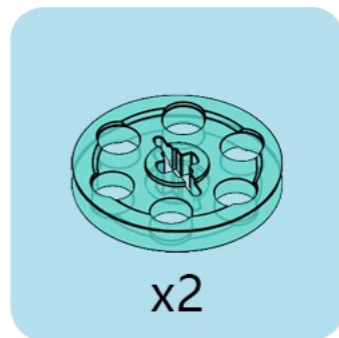
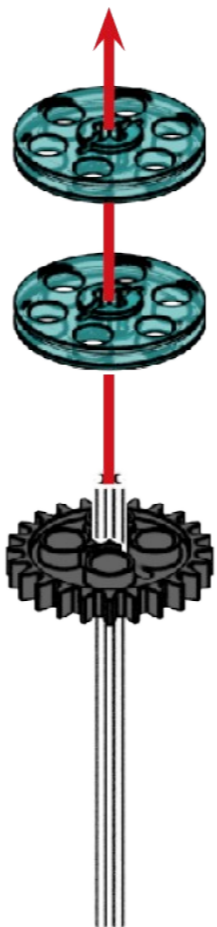


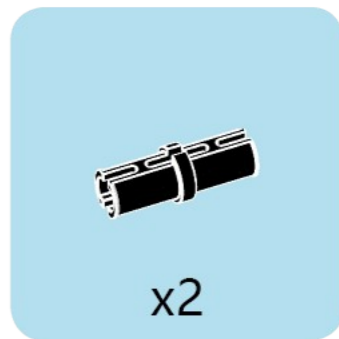
x1

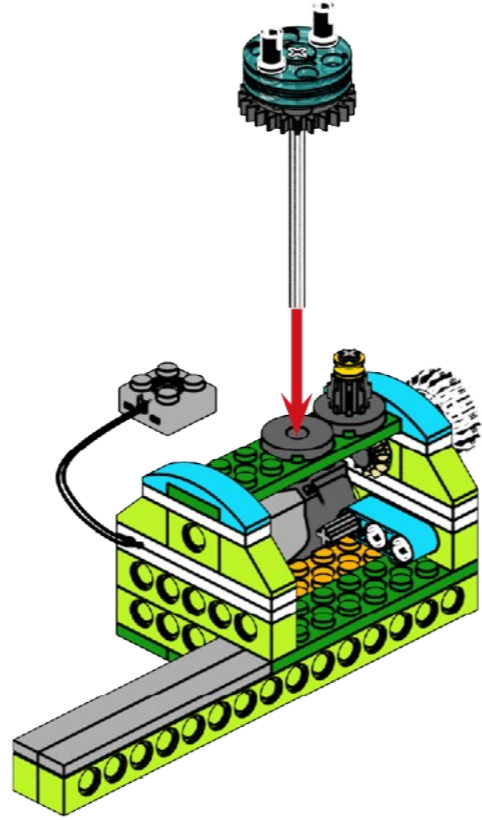


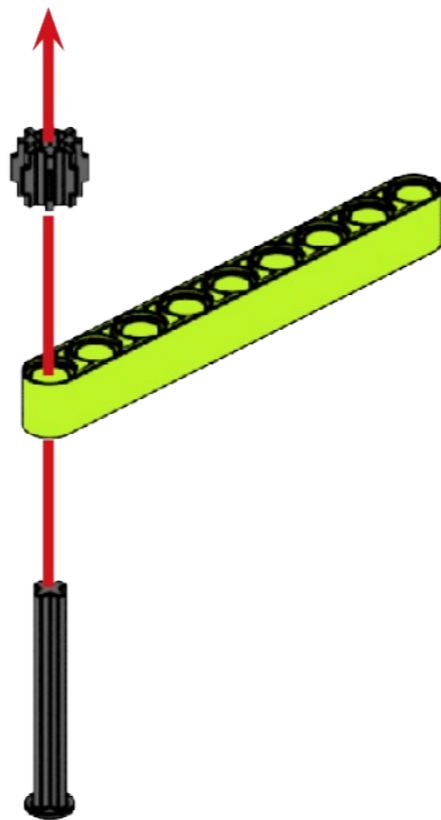
x1



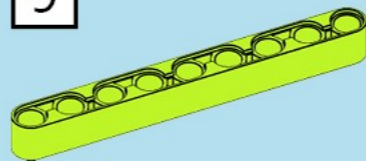




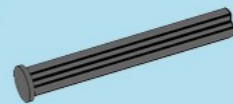




9



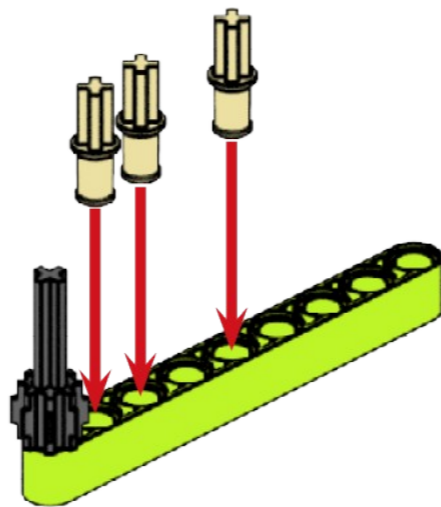
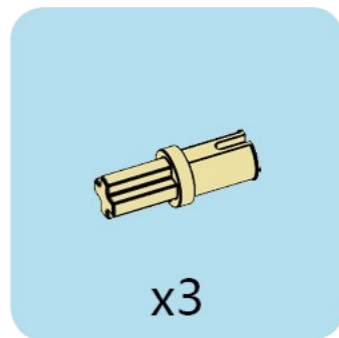
x1

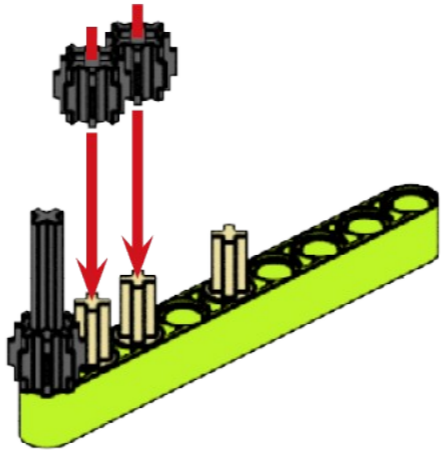
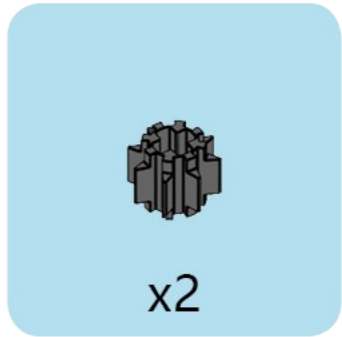


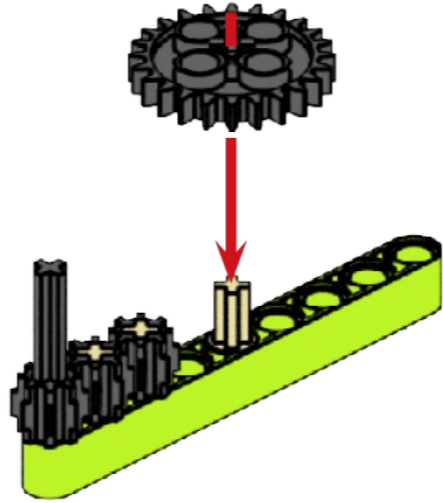
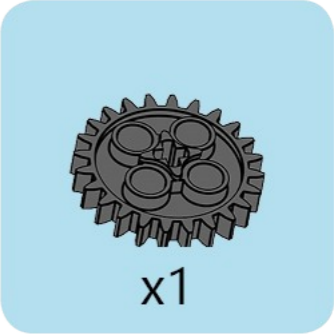
x1

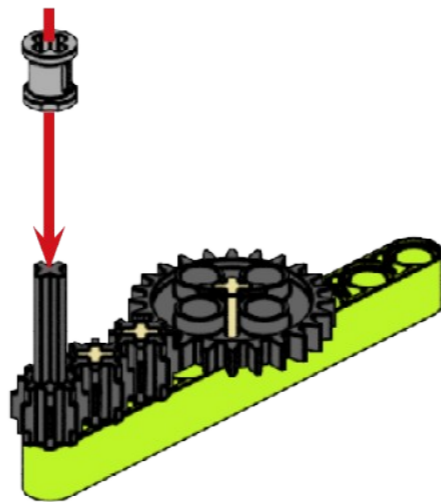
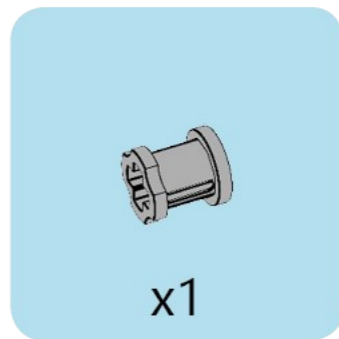


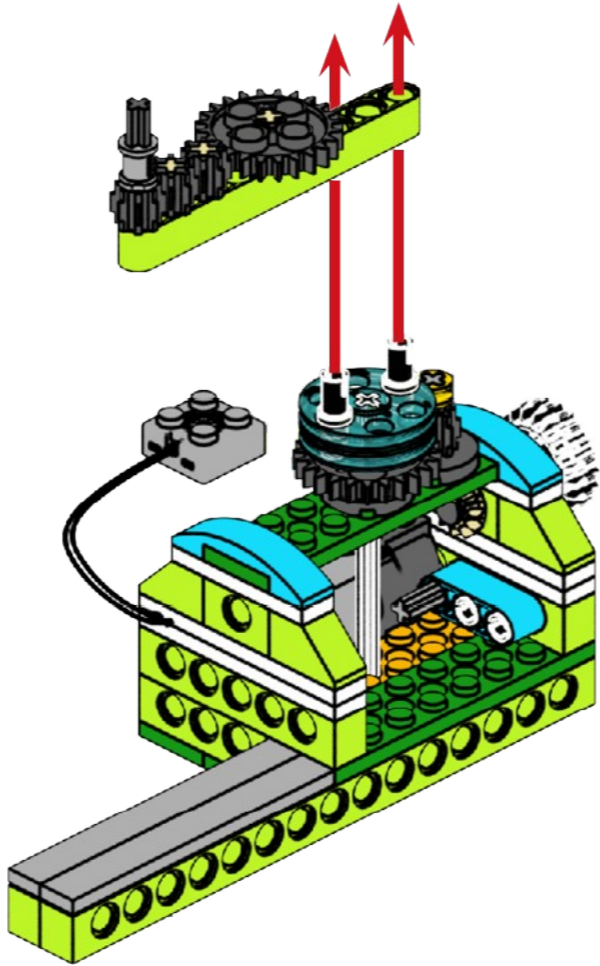
x1

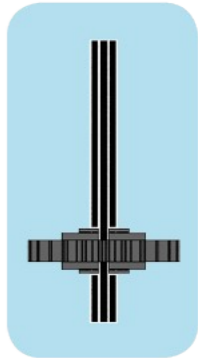
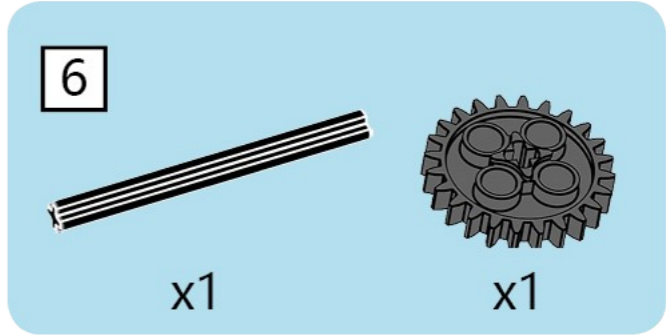
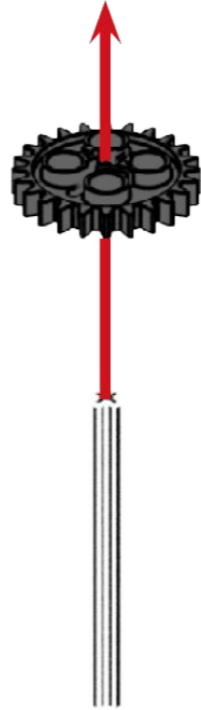


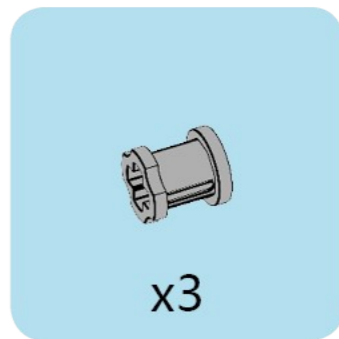
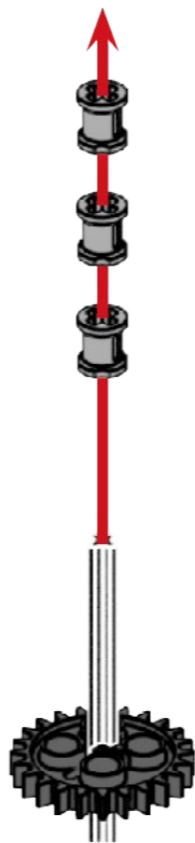


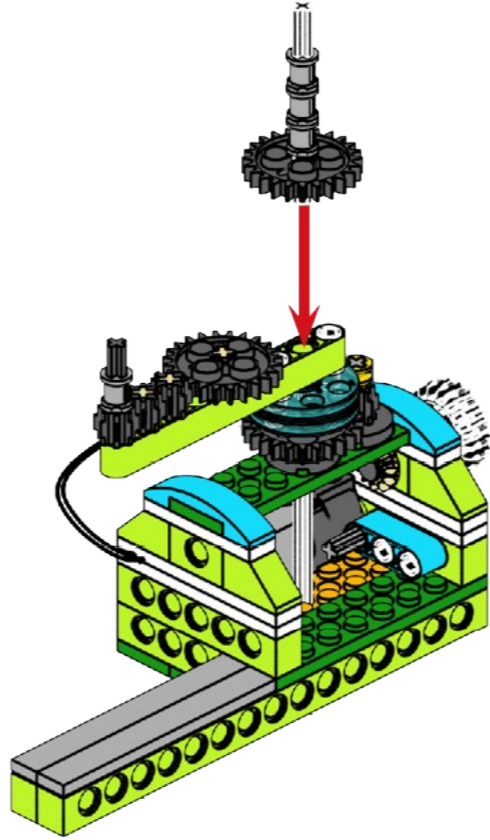


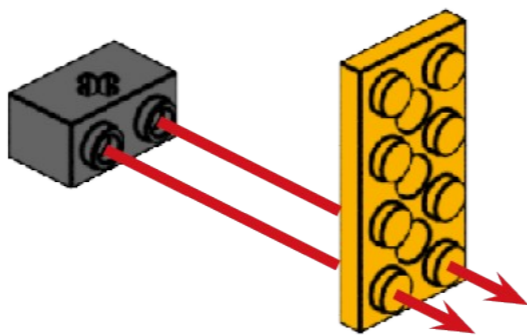
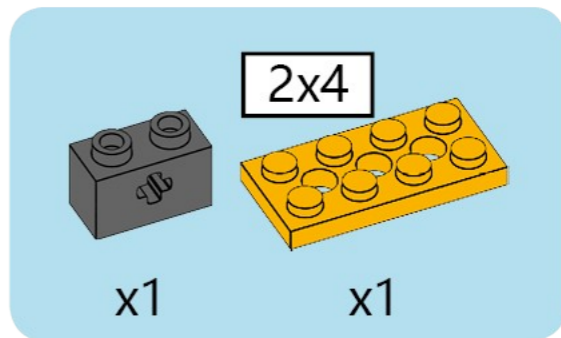


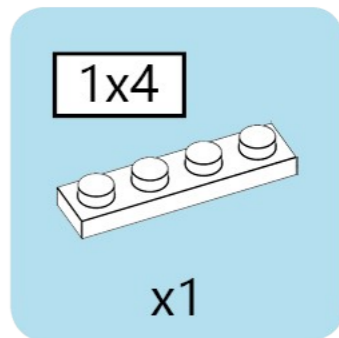
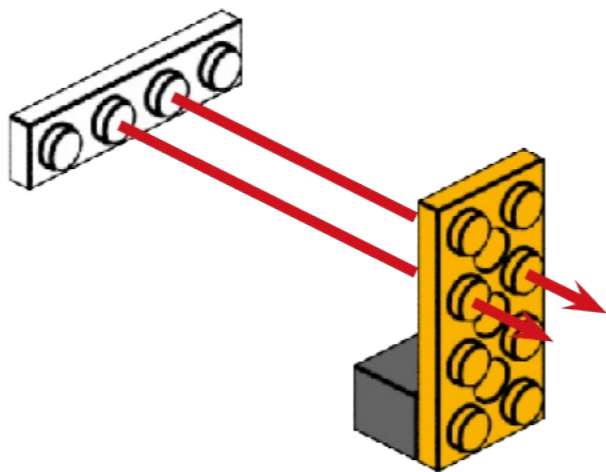


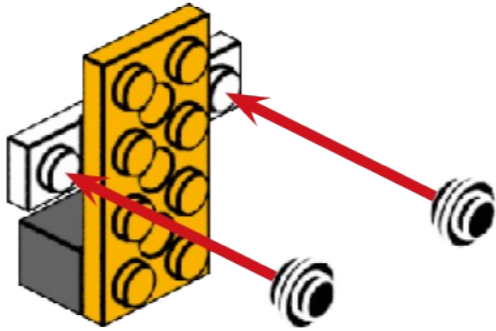
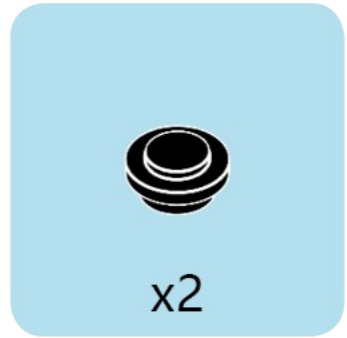


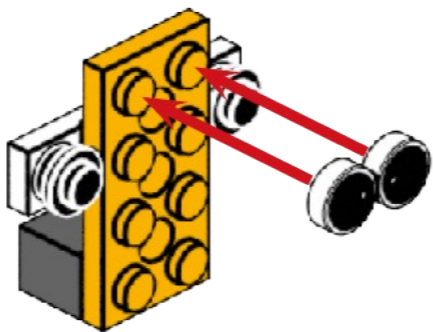
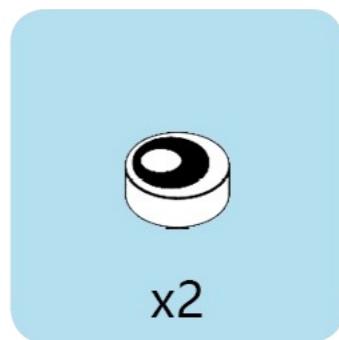


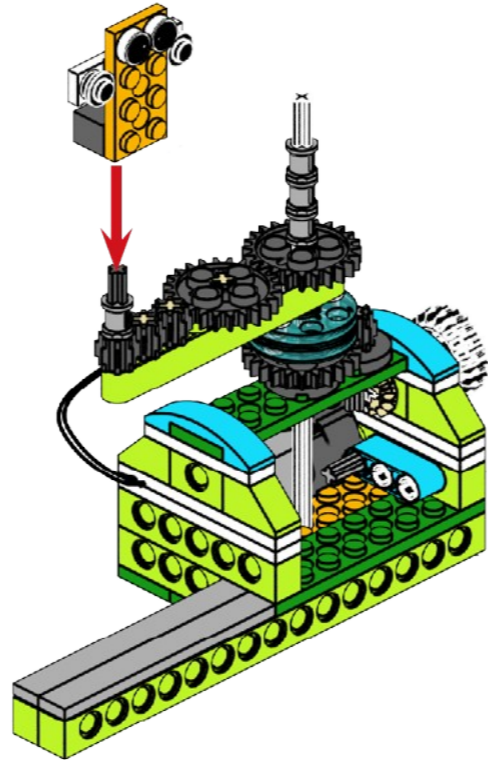


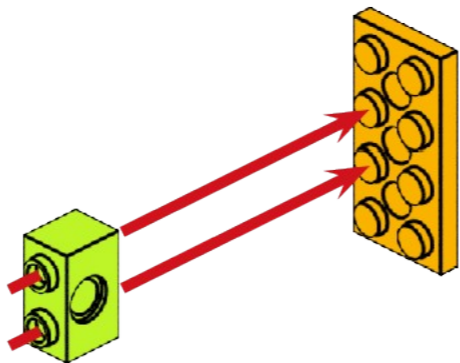
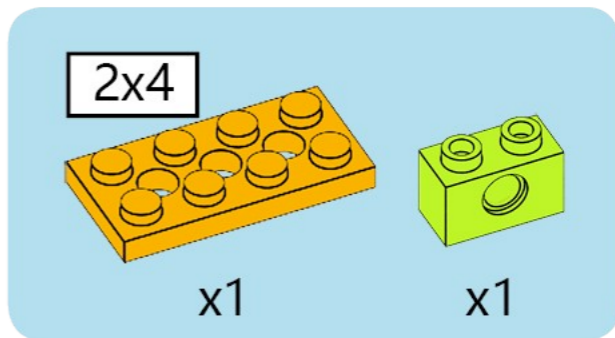


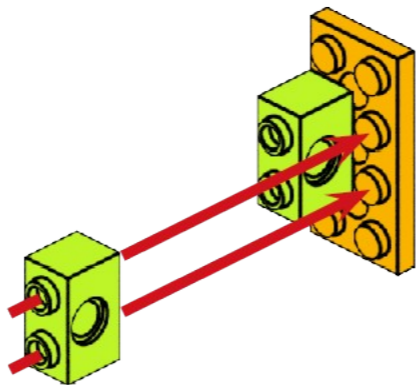
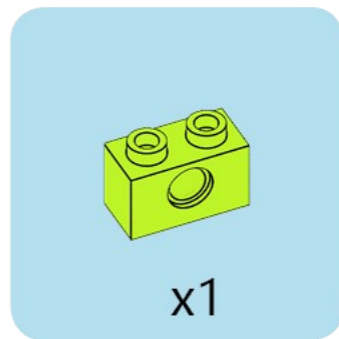


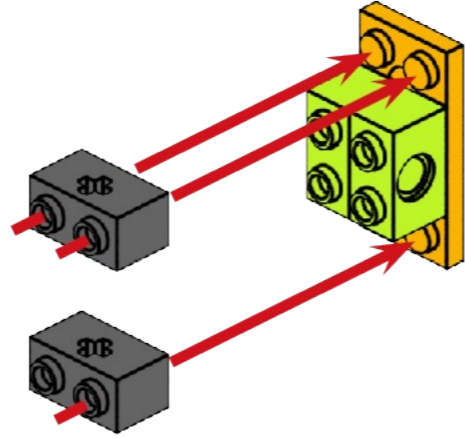
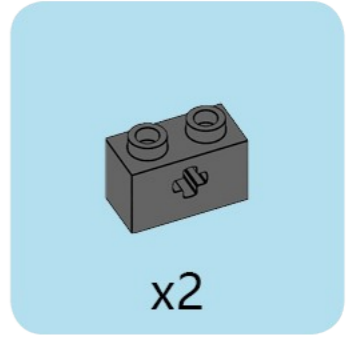


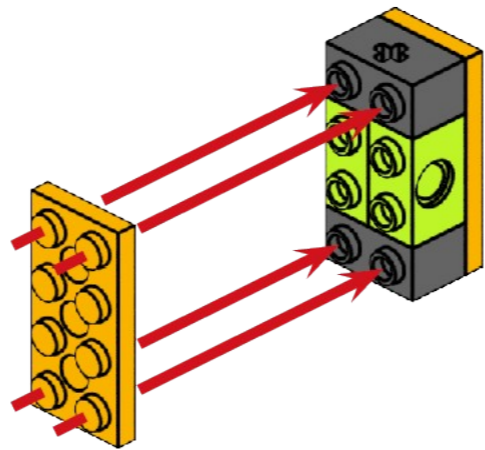
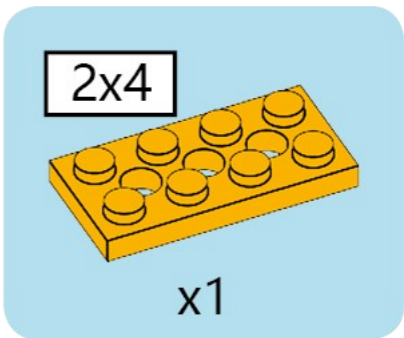


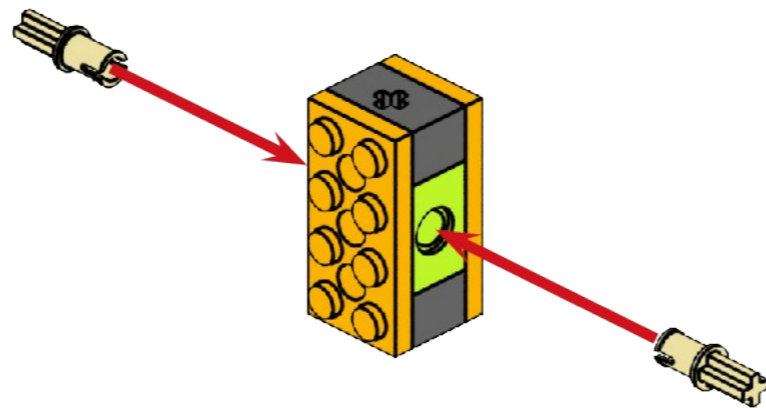
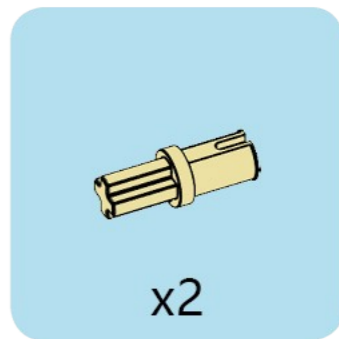


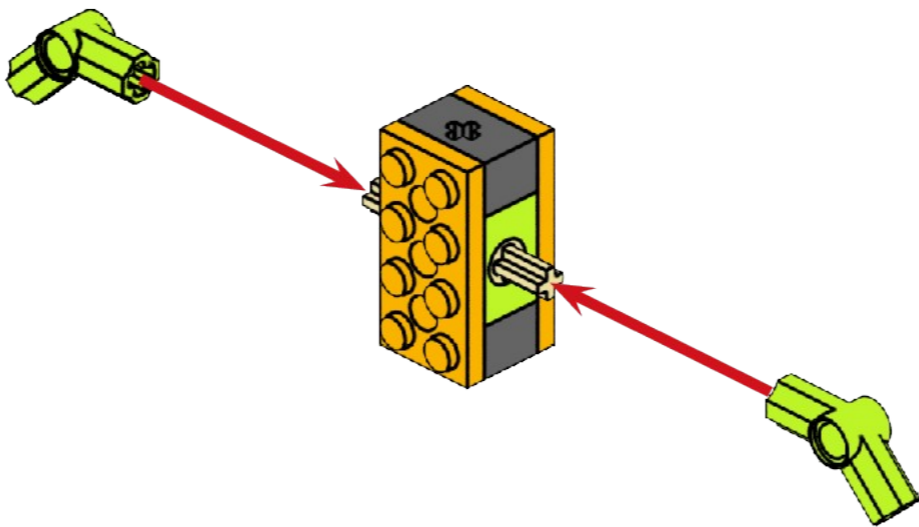
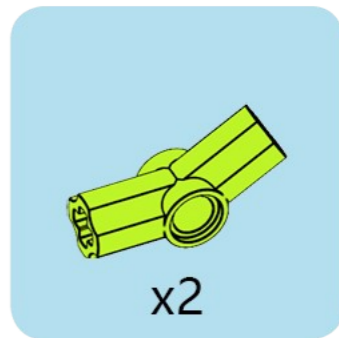


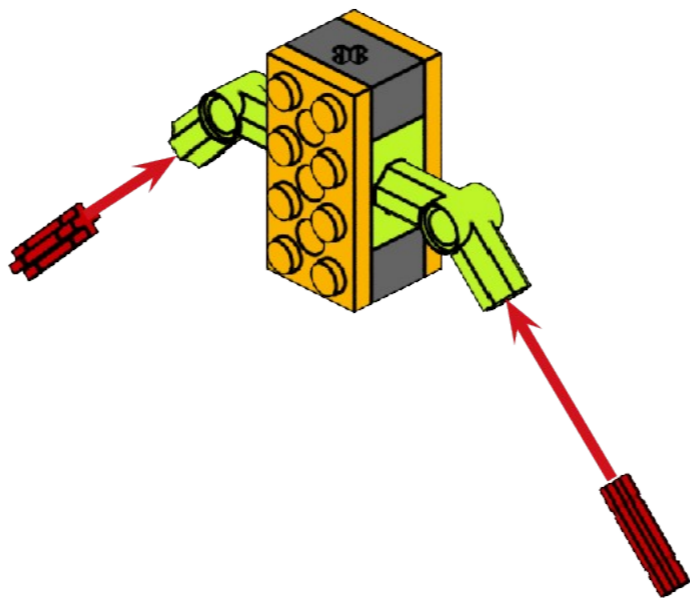
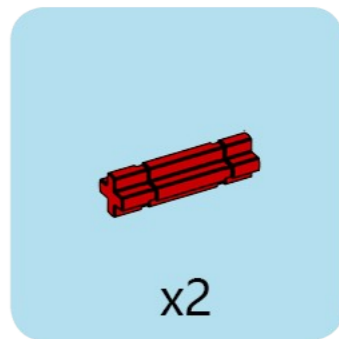


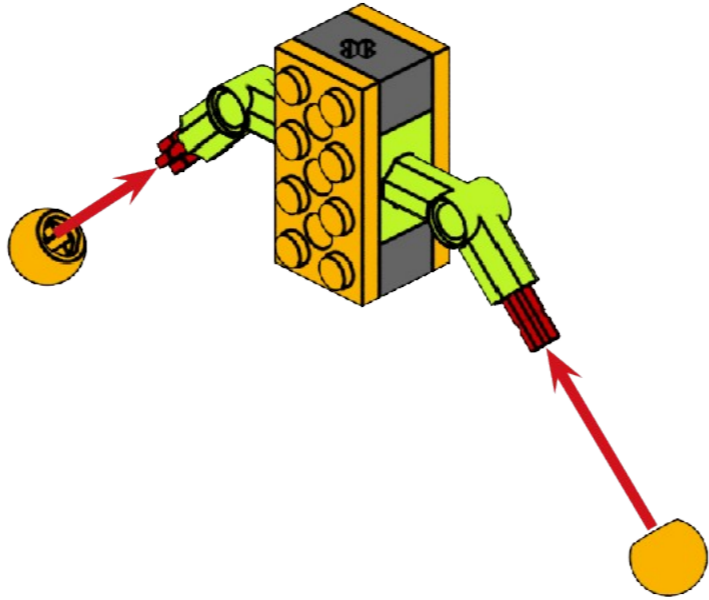
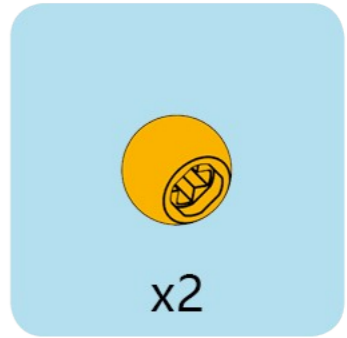


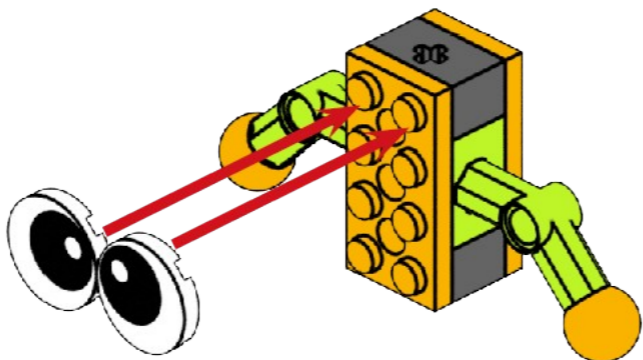
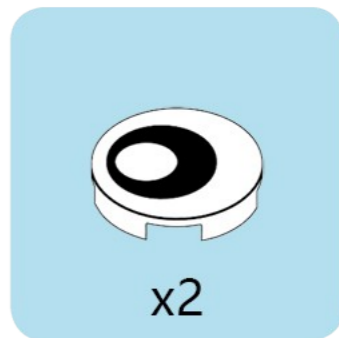


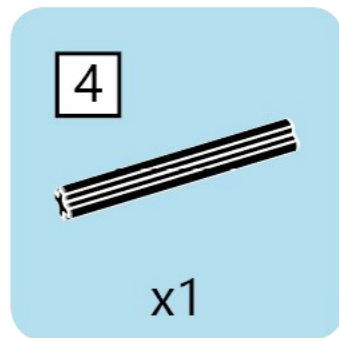
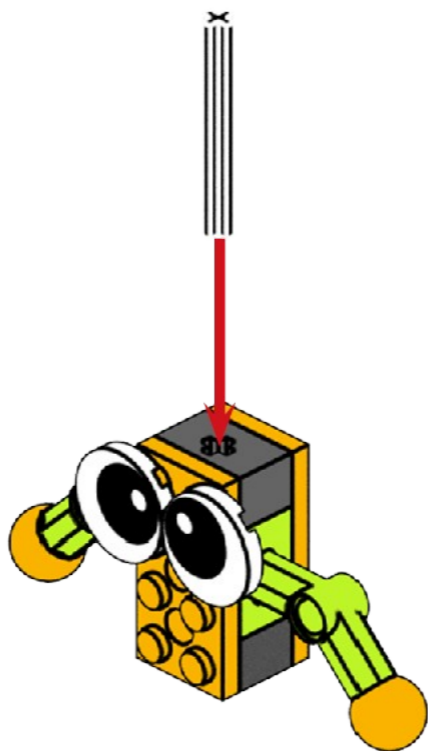


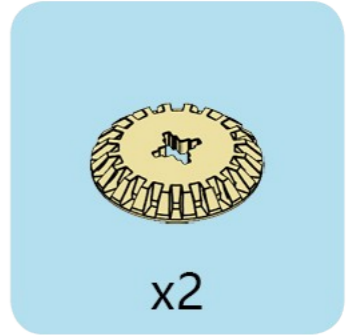
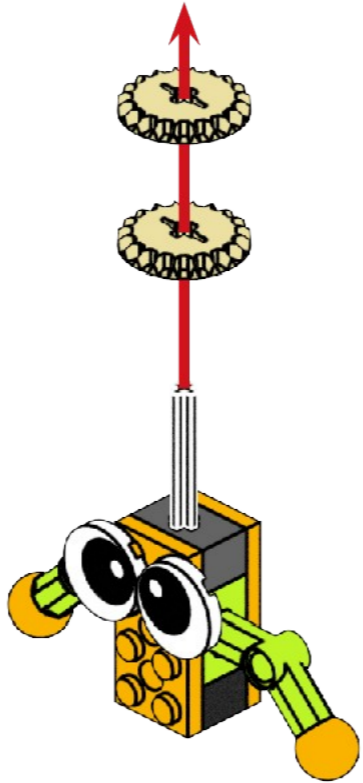


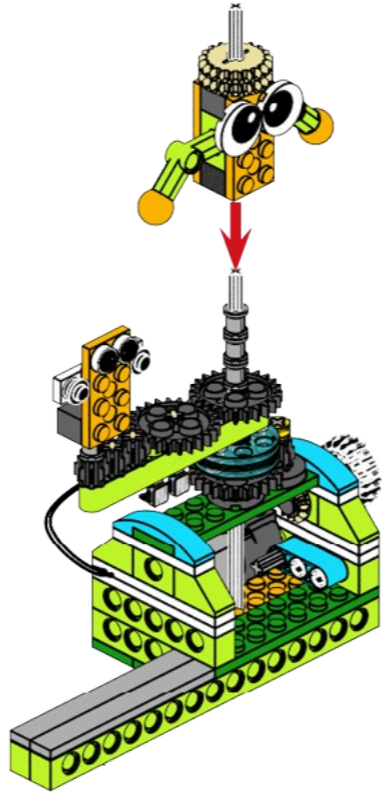


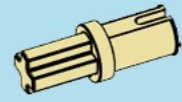








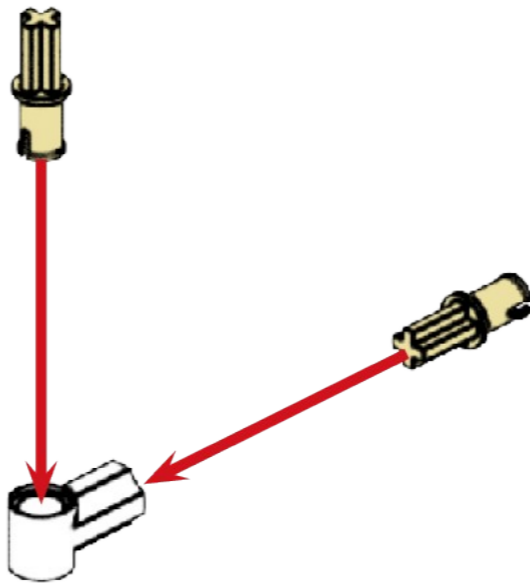


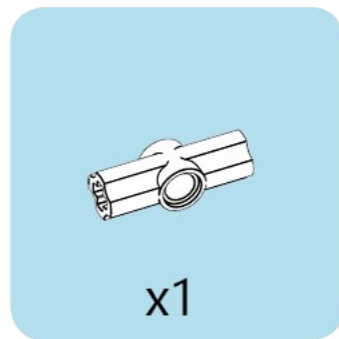


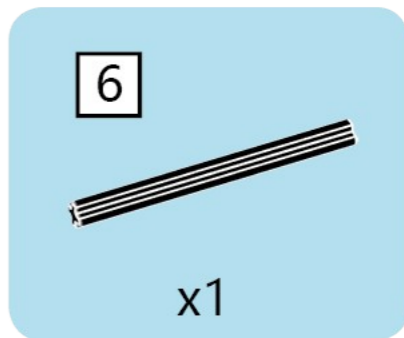
x2

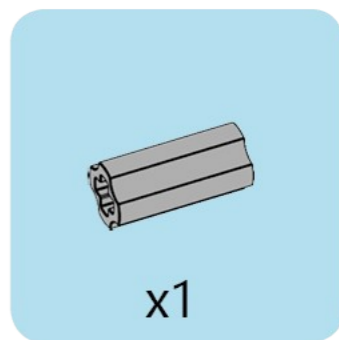
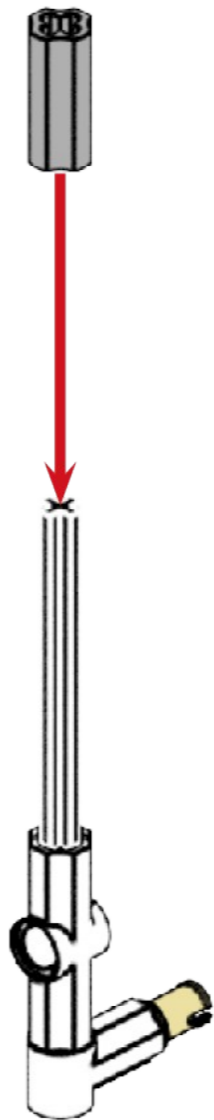


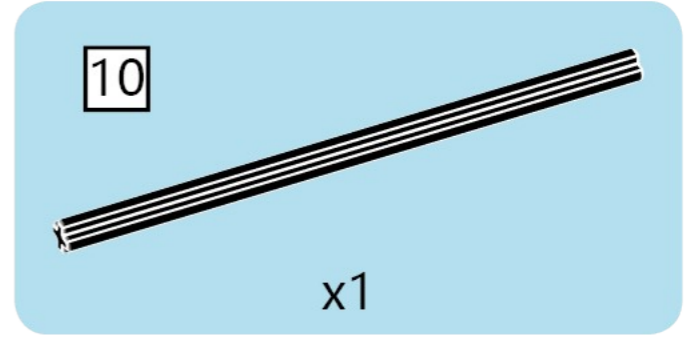
x1

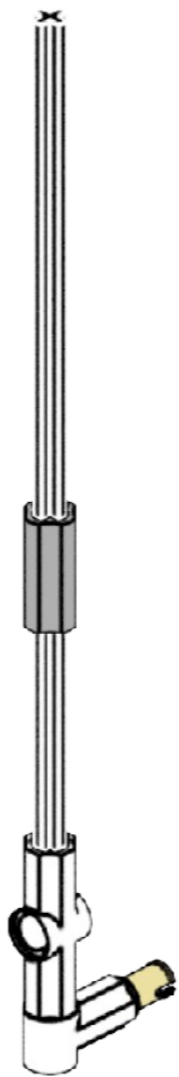


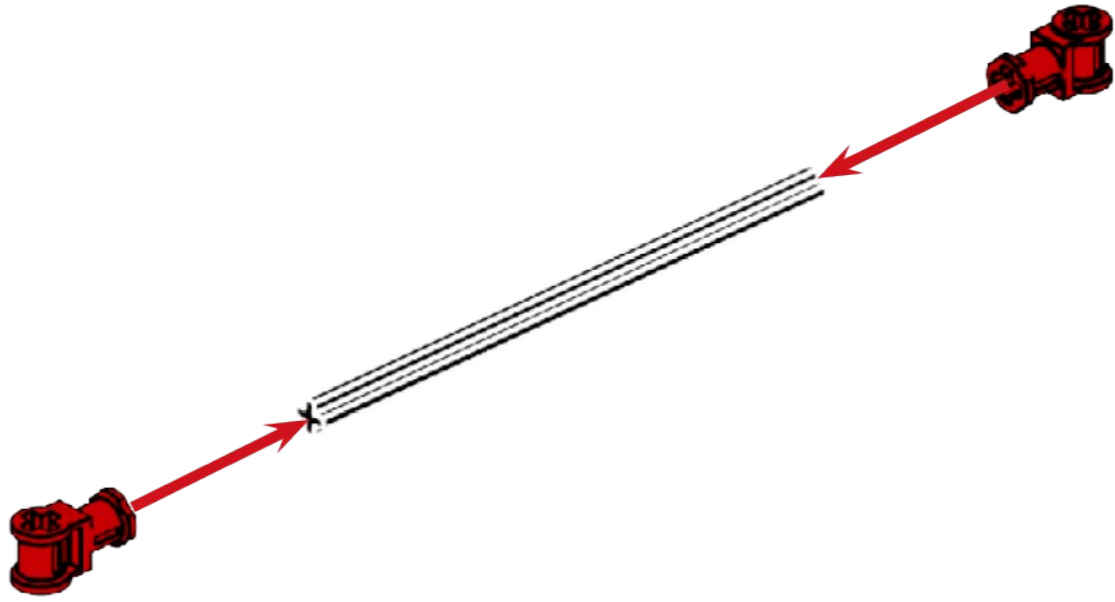
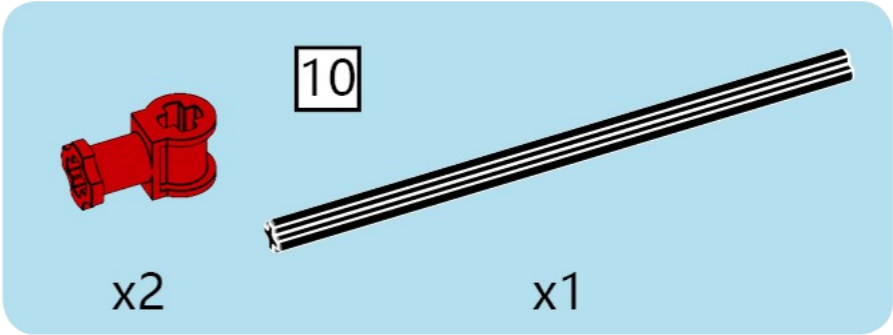


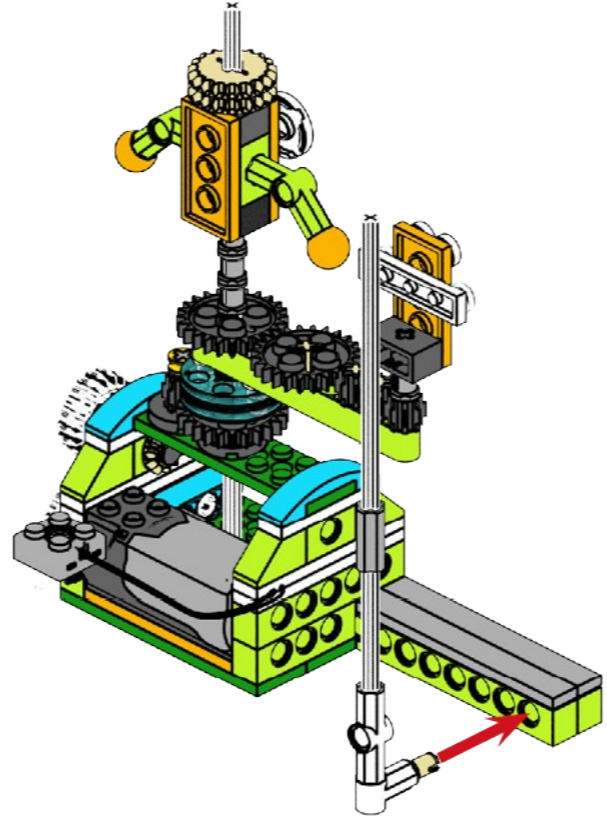


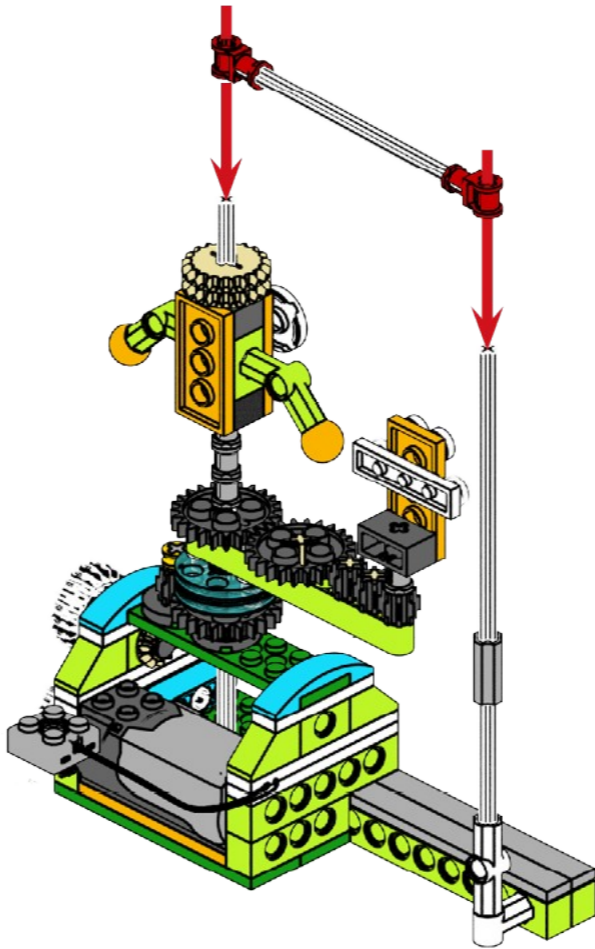


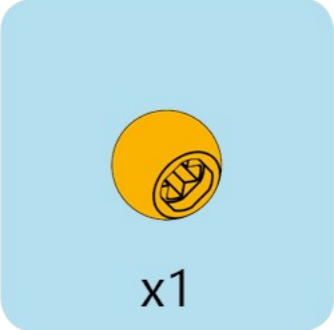
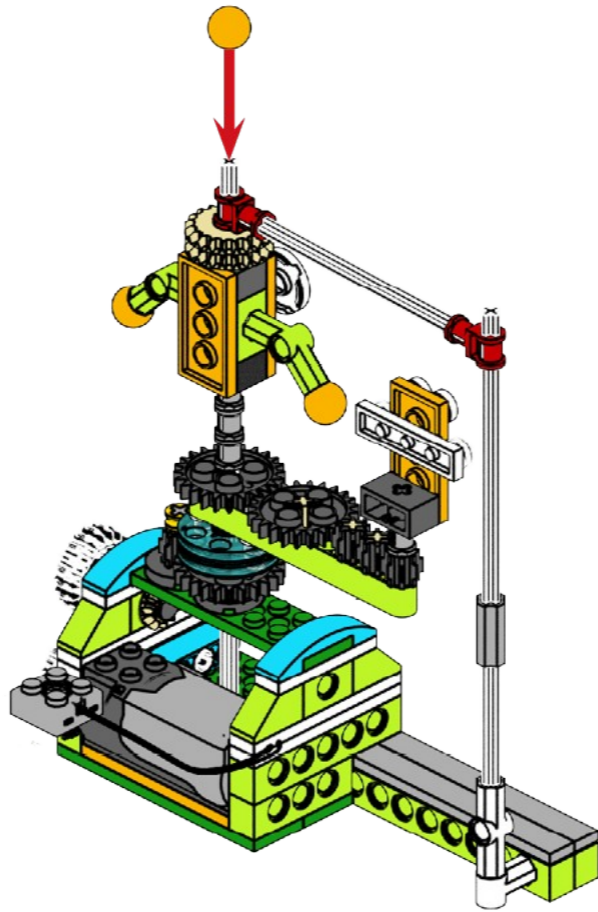


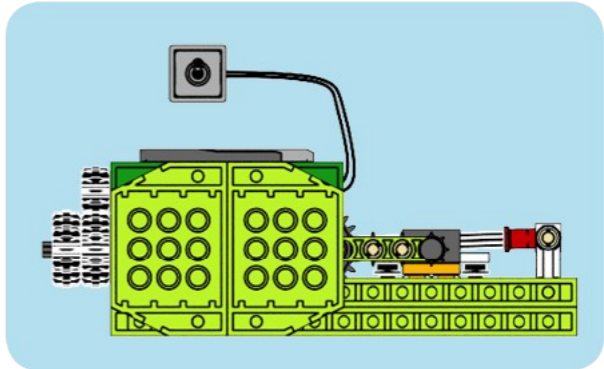
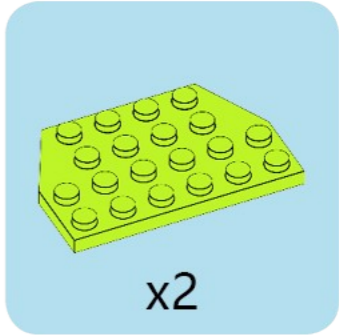
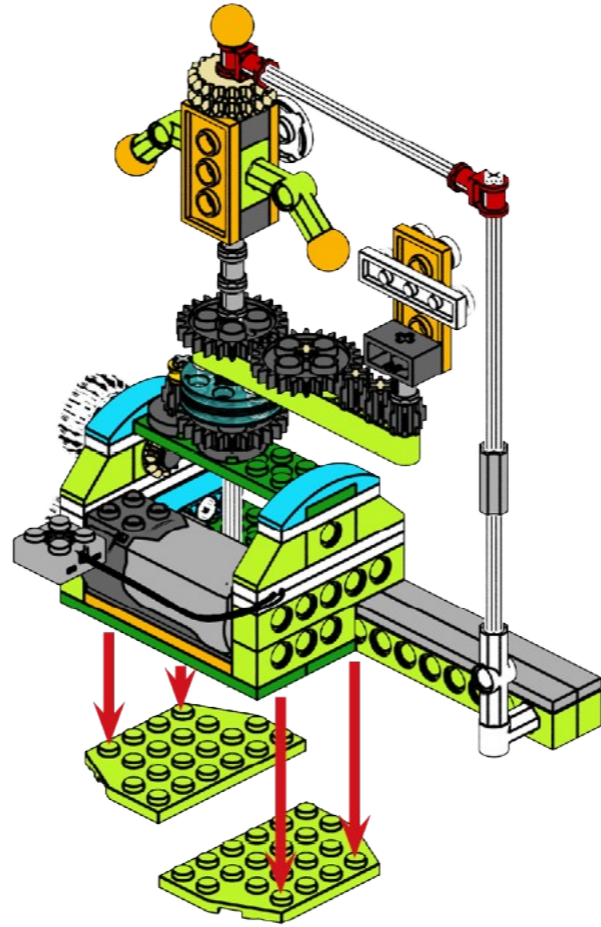


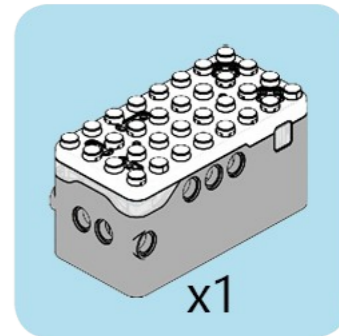
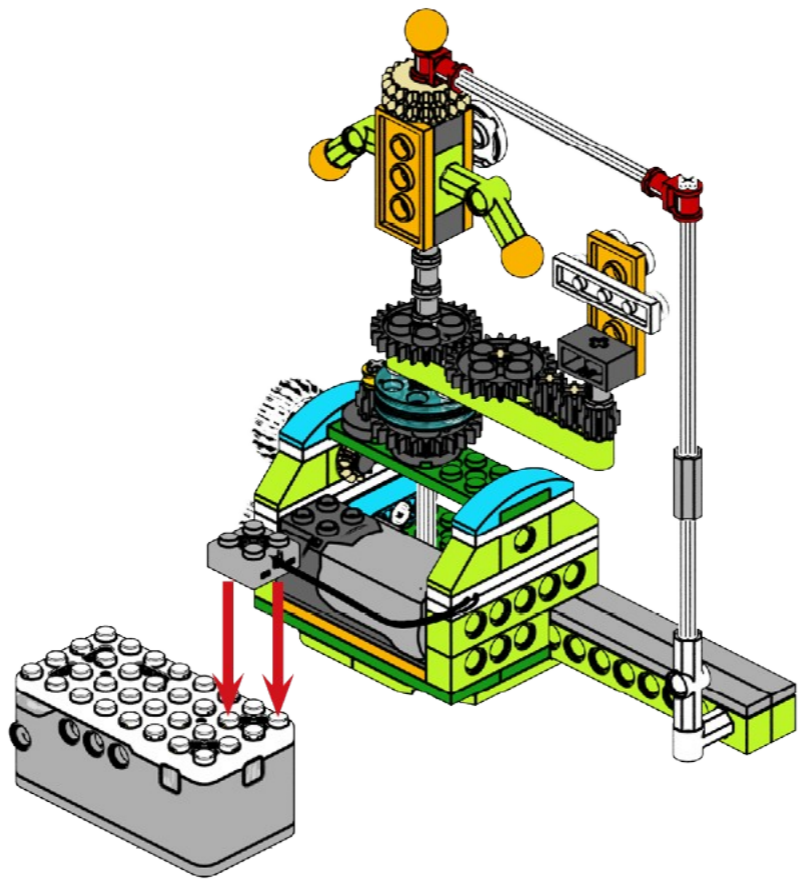


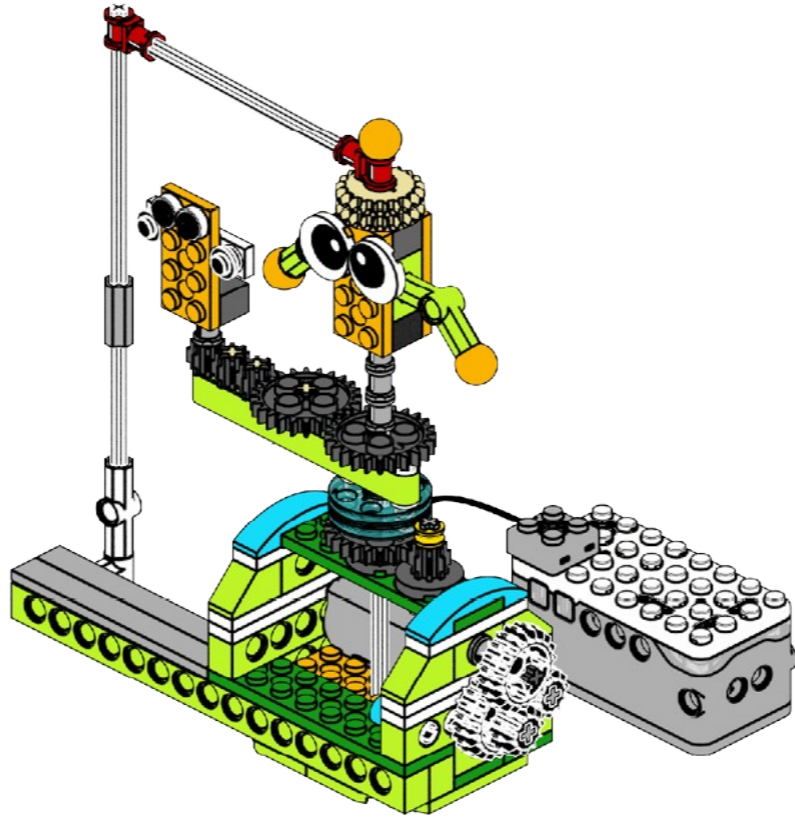


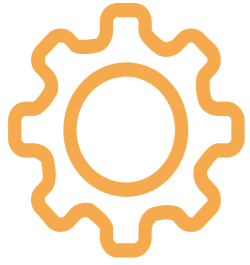
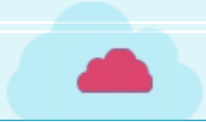












Review

Knowledge Development

The order of the eight planets

Mercury, Venus, Earth, Mars, Jupiter, Saturn, Uranus, Neptune

What is revolution and rotation

Rotation around the axis

The circular motion along a certain orbit with another object as the center.

Basic Transmission

Reduction gear unit

Vertical gear drive

Multiple gear transmission

Sun gear

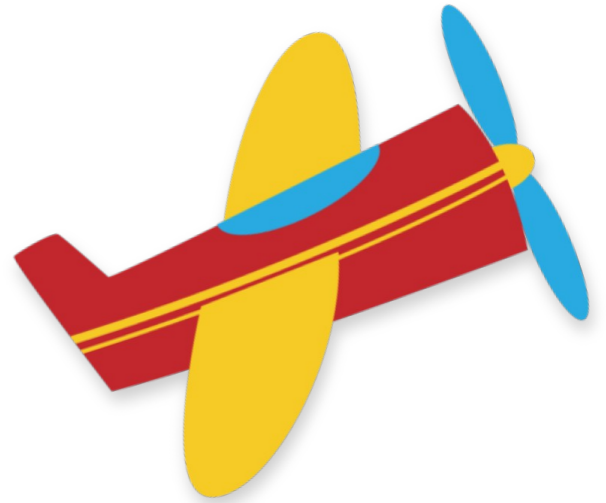
Planetary gear

Planets

Mechanical expansion



Talk





THANKS

