



**Logic**

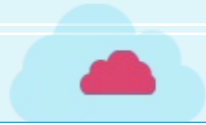
**Space**



**Coding**



**Focus**



# Classroom Discipline

**01**

Please sit down and keep quiet in class.

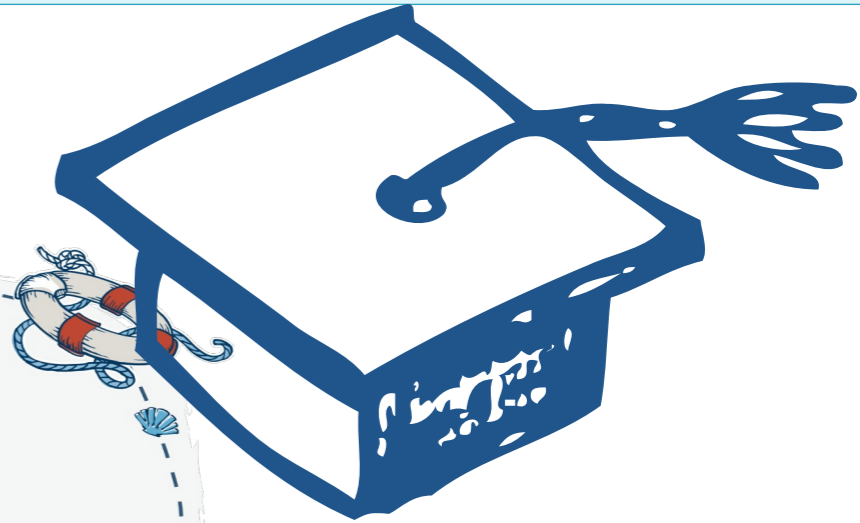
**02**

Please raise your hand if you have any questions

**03**

Please observe carefully when the pictures are played.



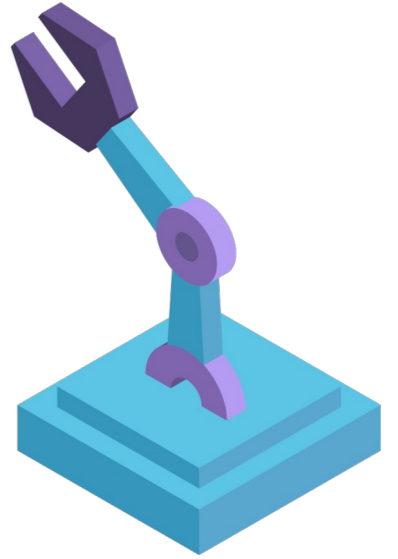


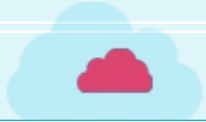
# The Sewing Machine





**Think**





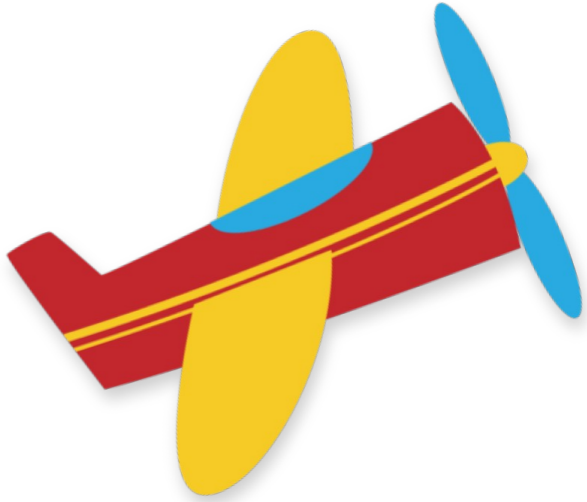
1. What should you do if your clothes get a little torn?
2. What materials are needed for sewing?

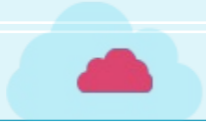


Please pay attention to safety when using needles and thread, and must be accompanied by your parents!

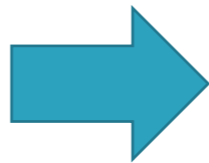
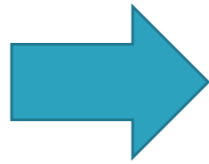


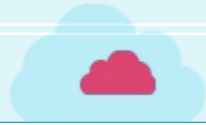
**Explore**





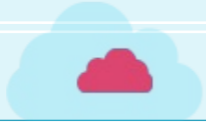
# 1. How do people mend it?



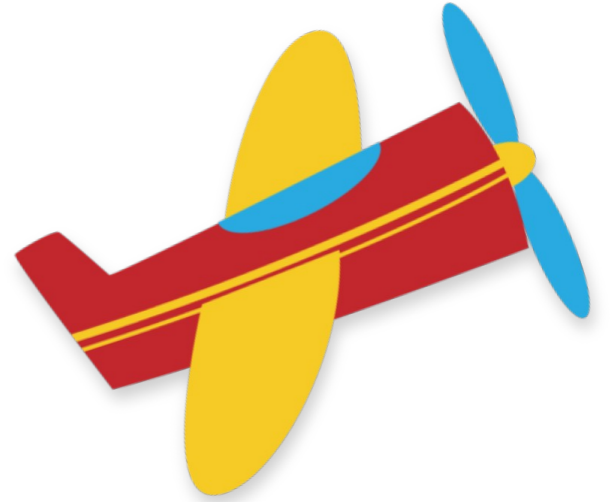


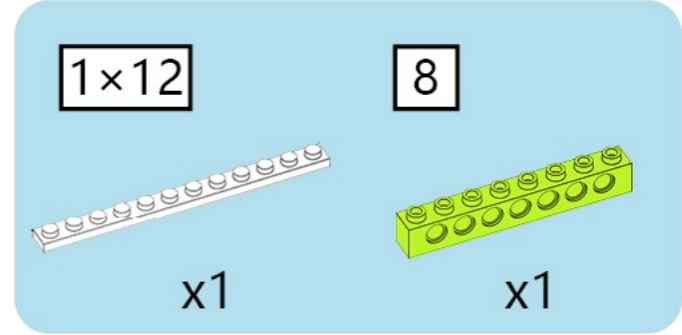
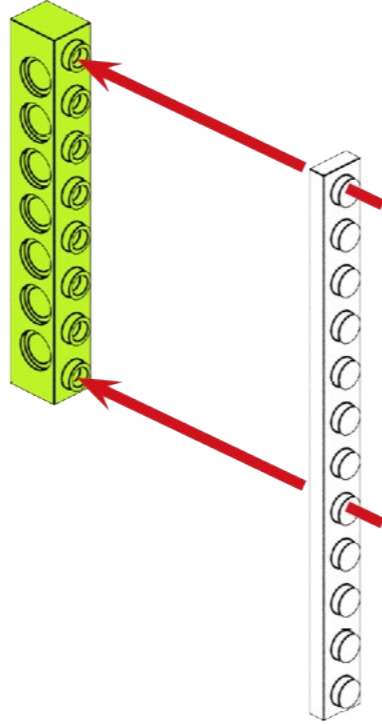
# What is the process of sewing?

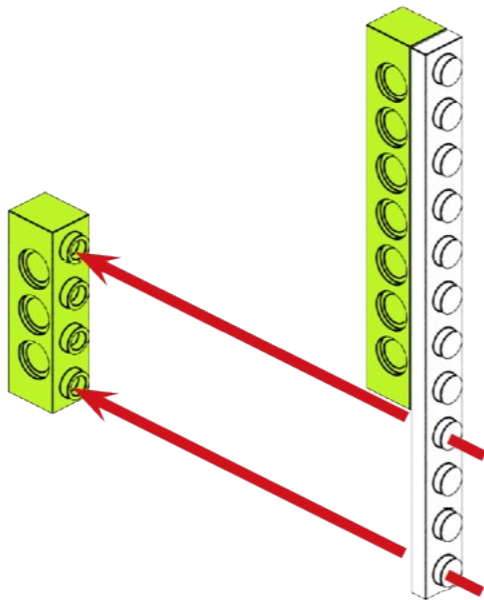
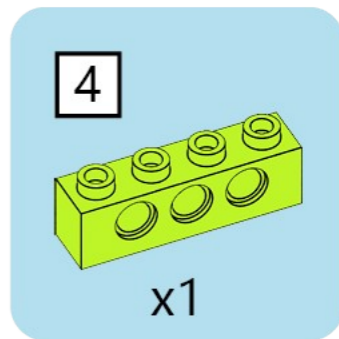


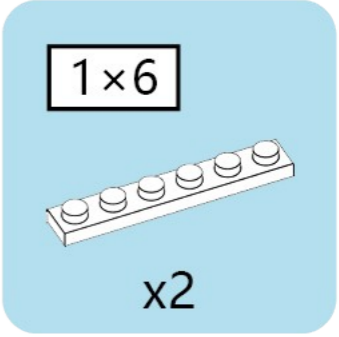
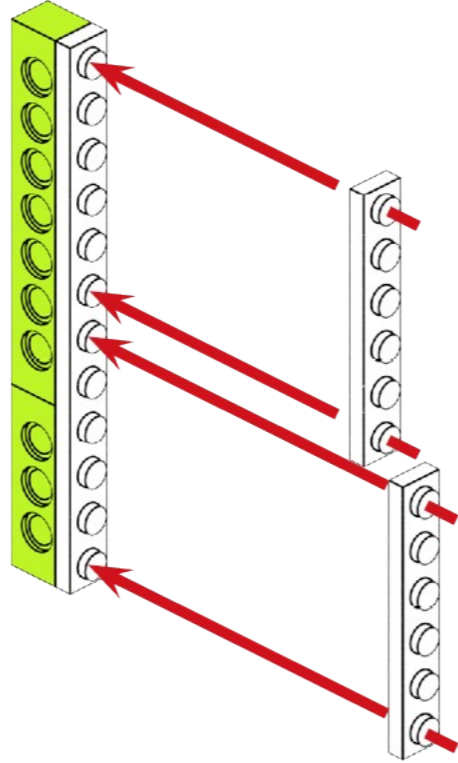


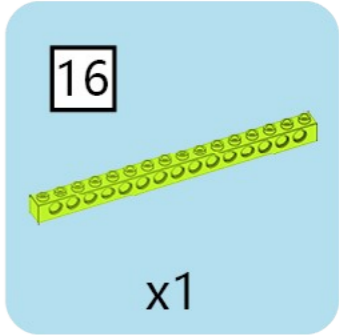
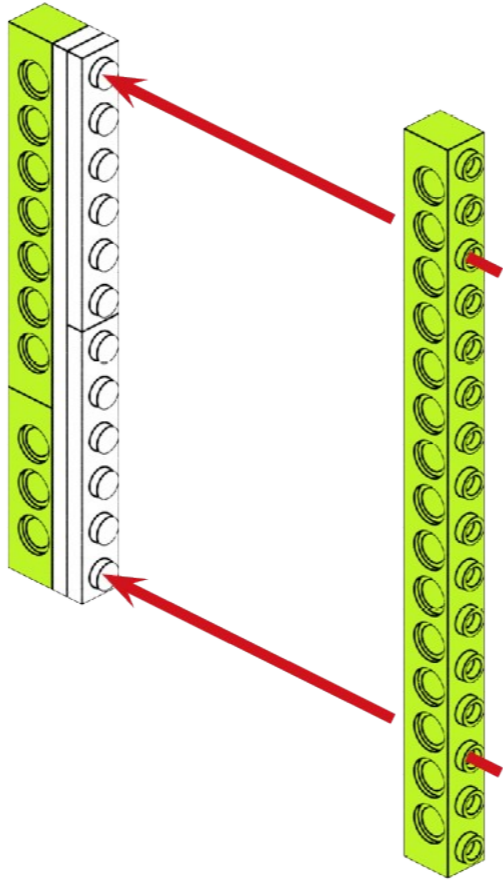
**Build**













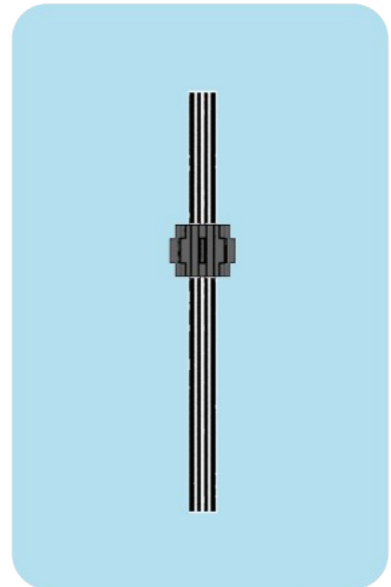
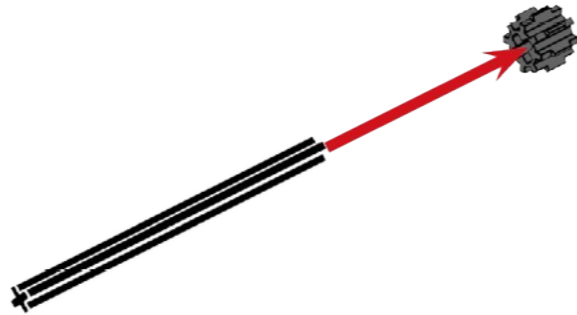
8

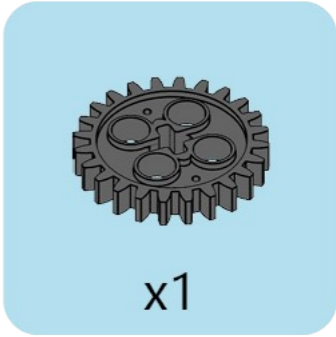
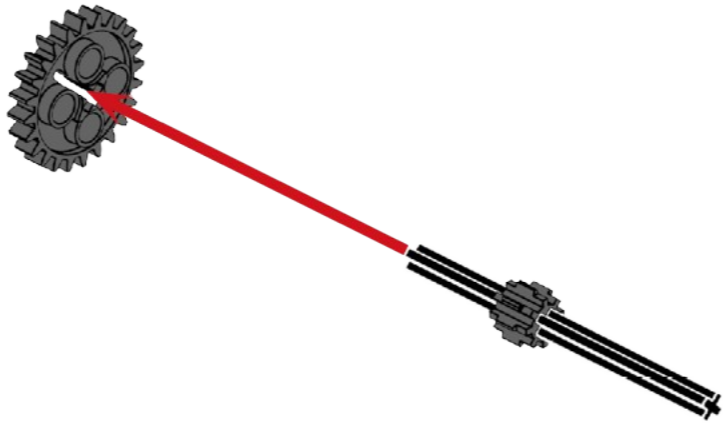


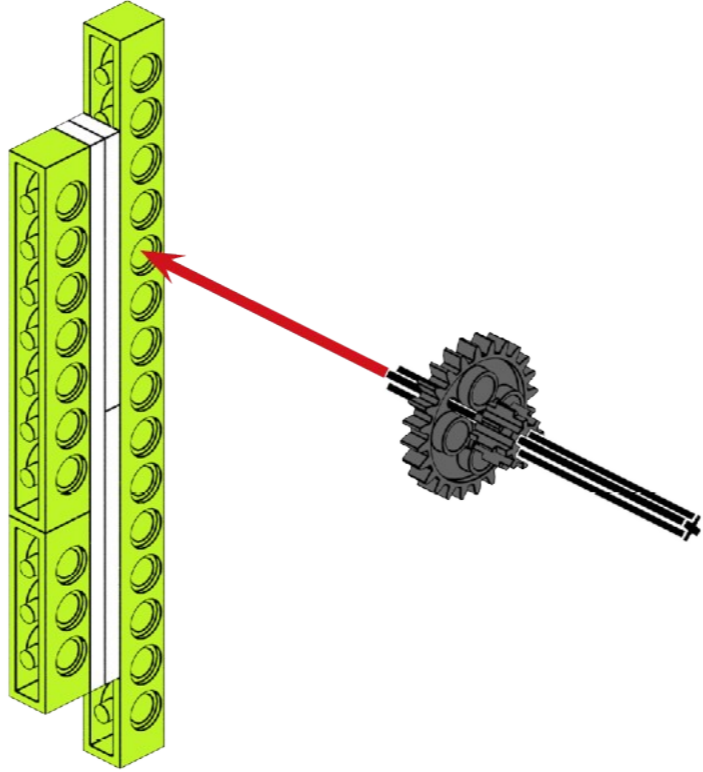
x1



x1

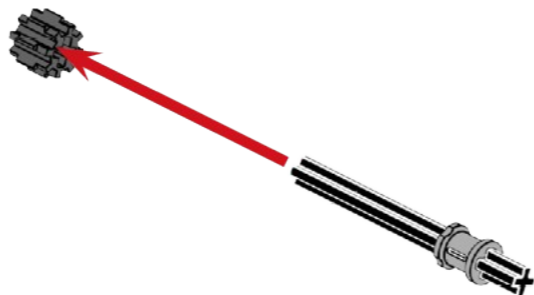


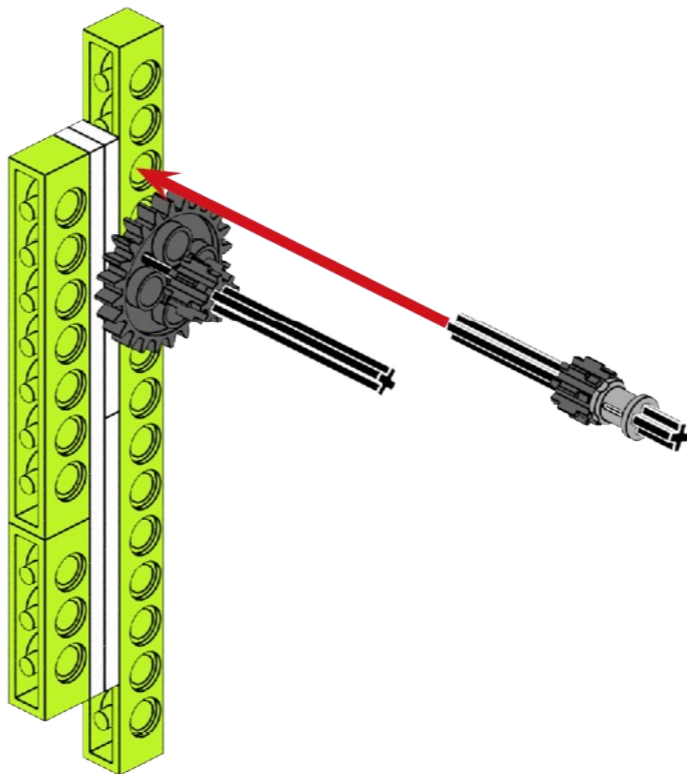






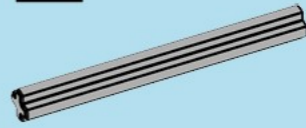
x1







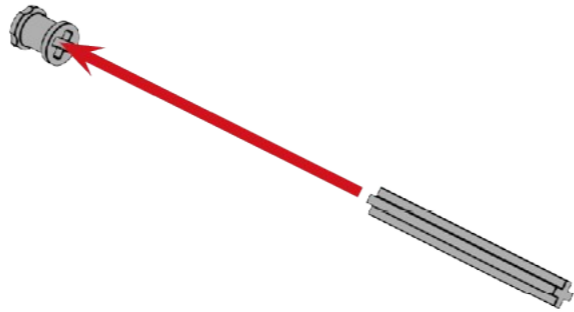
5

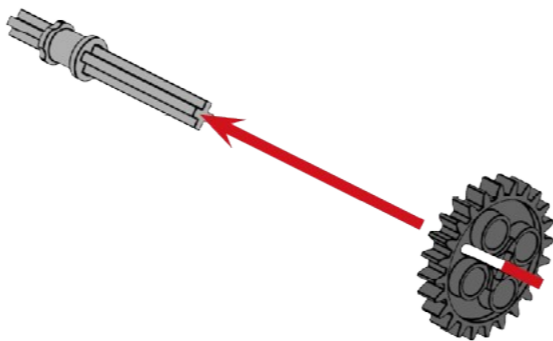
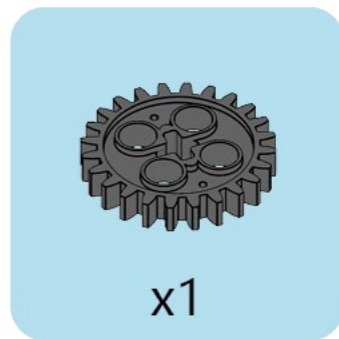


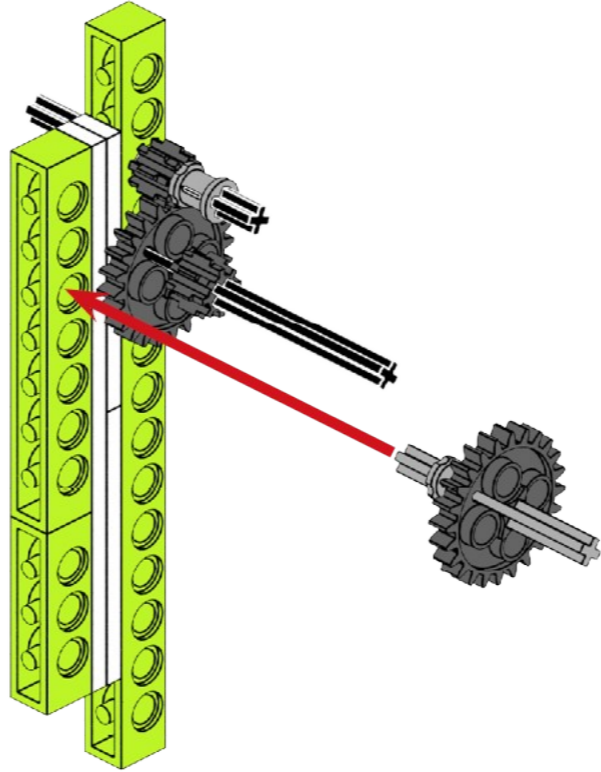
x1



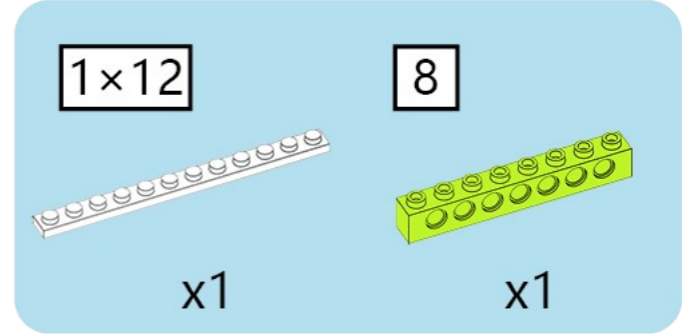
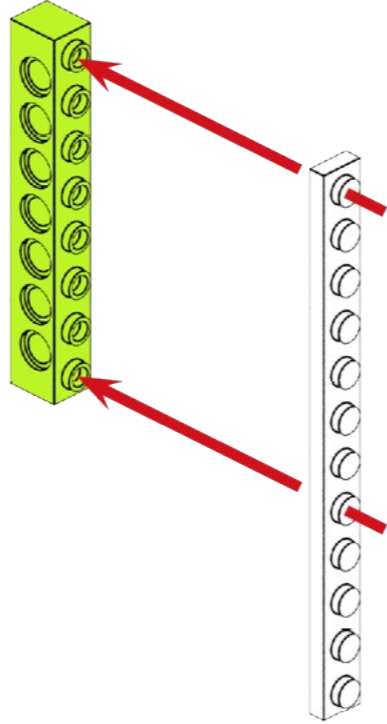
x1

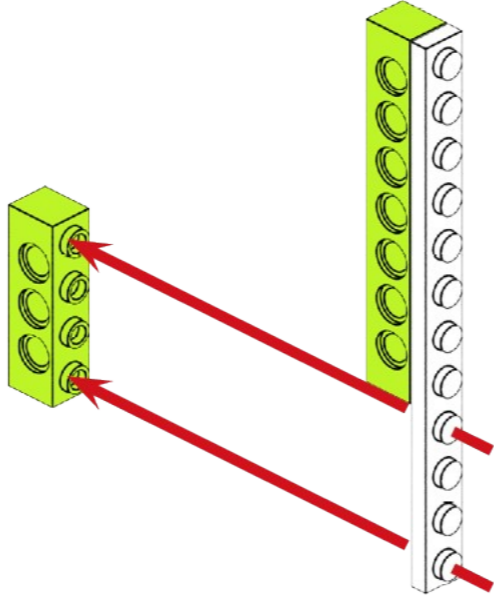
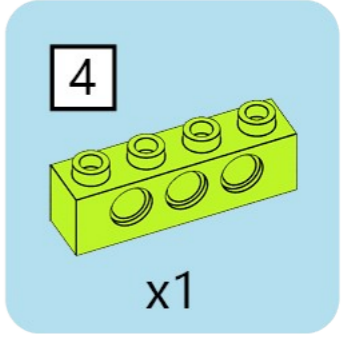


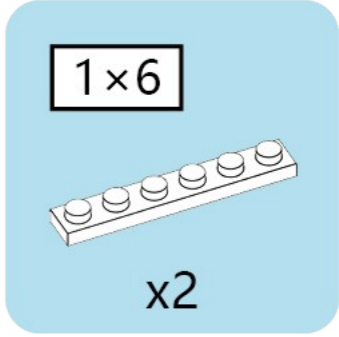
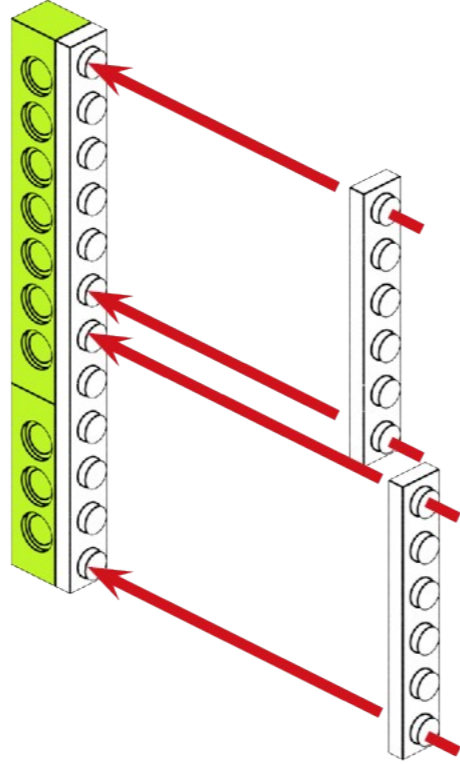


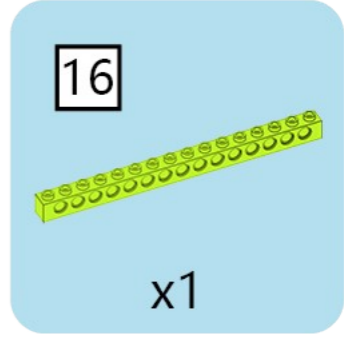
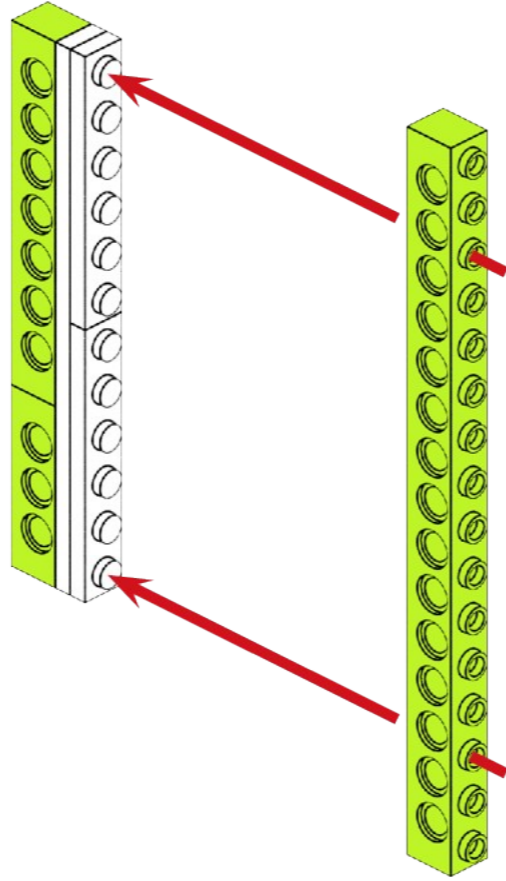


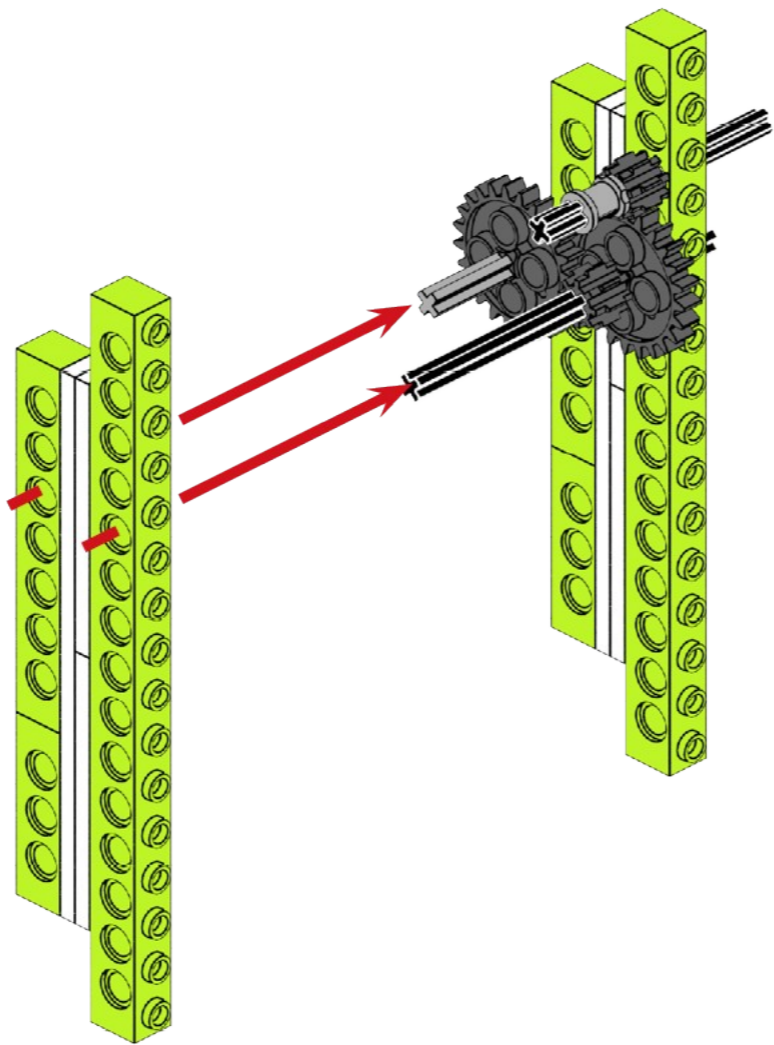


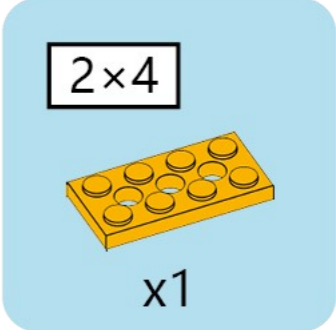
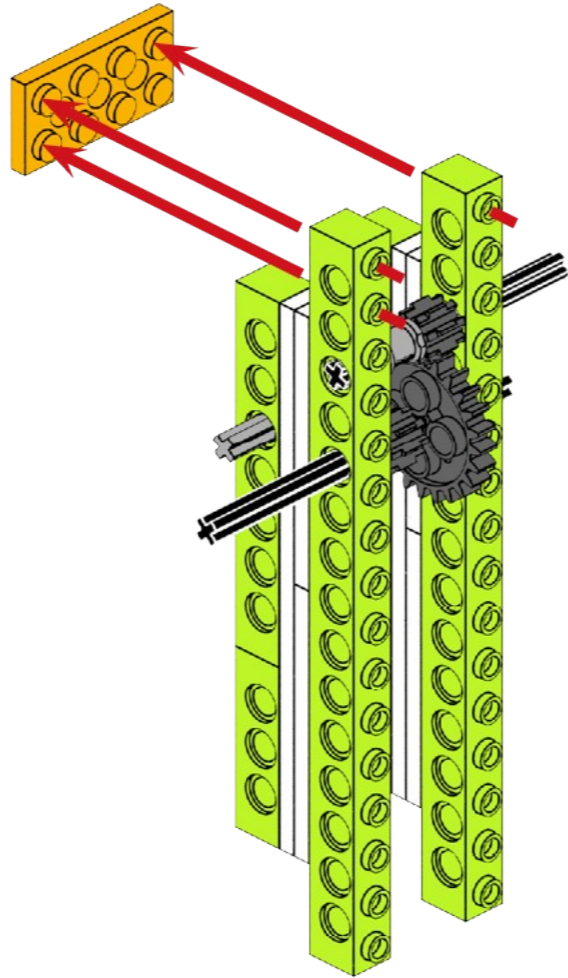


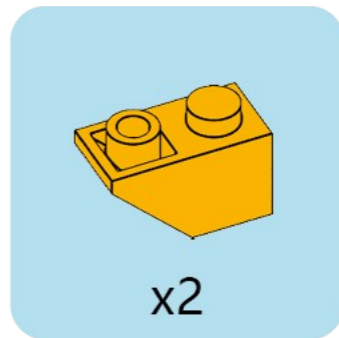
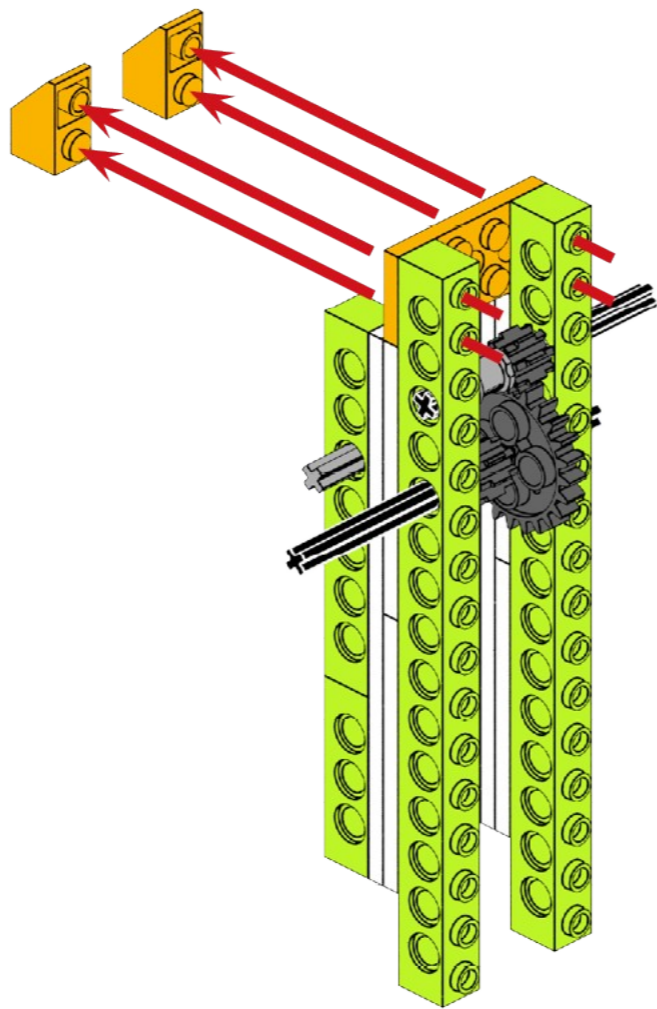


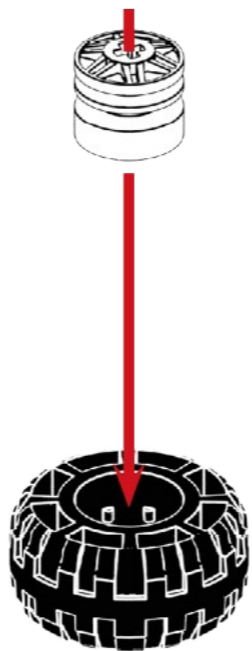








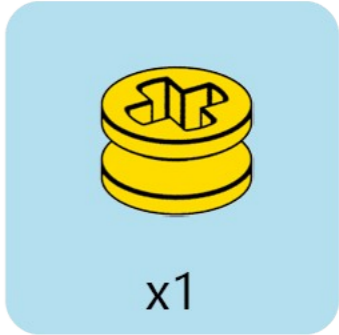
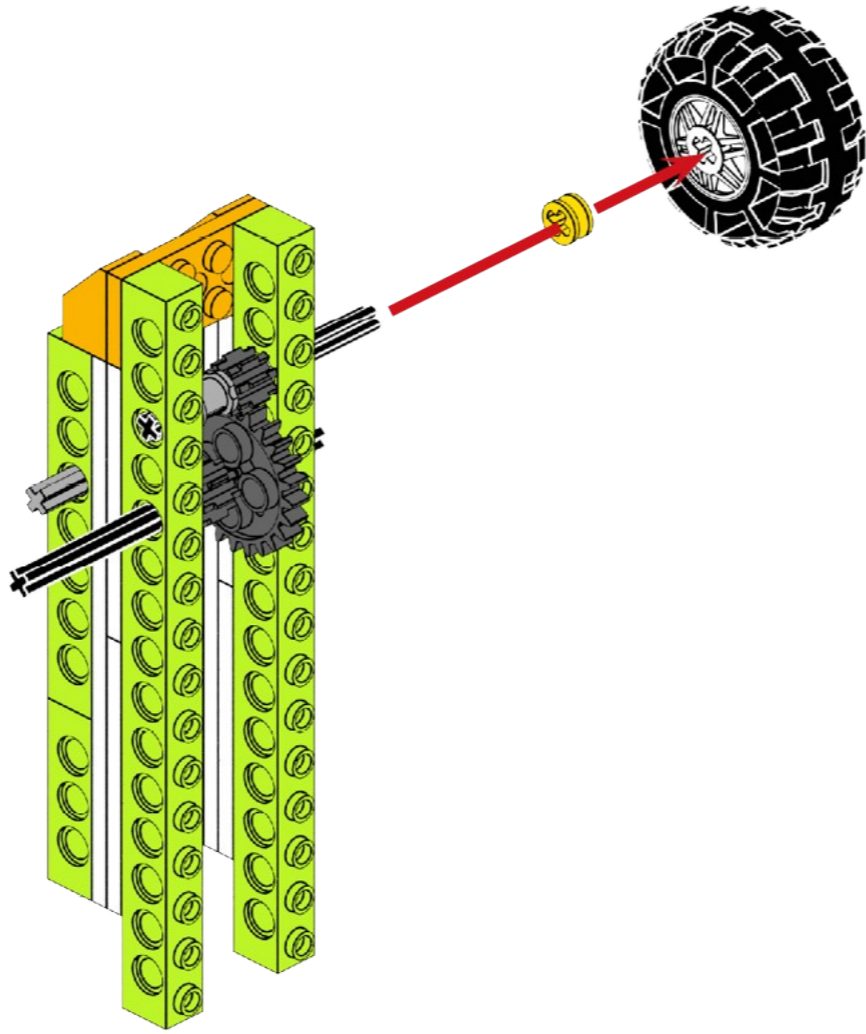




x1

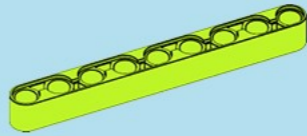


x1

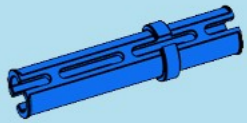




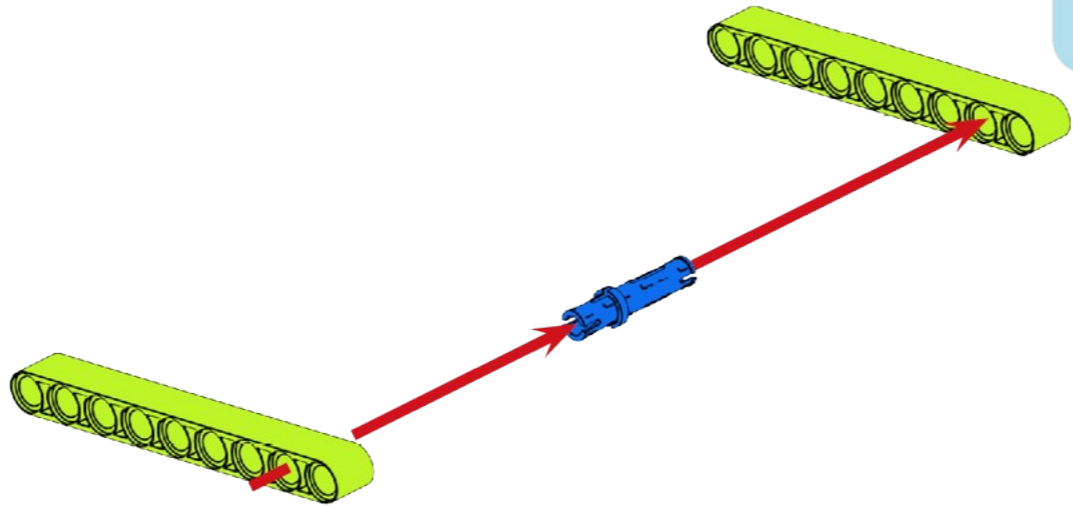
9

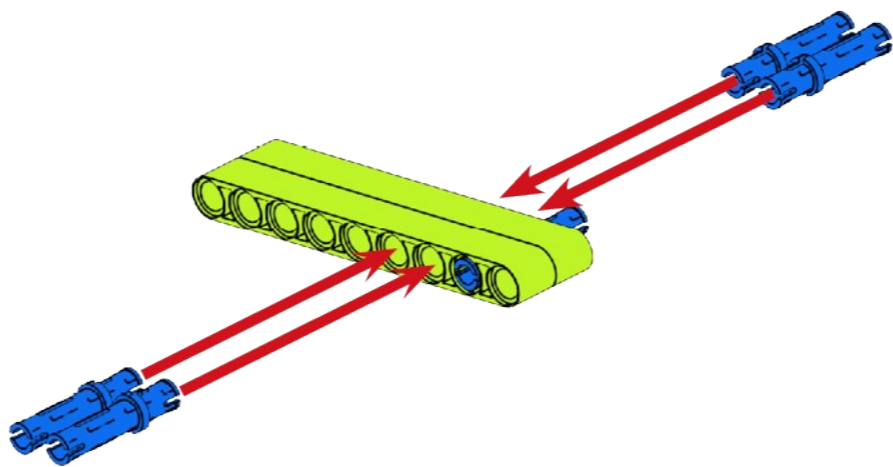
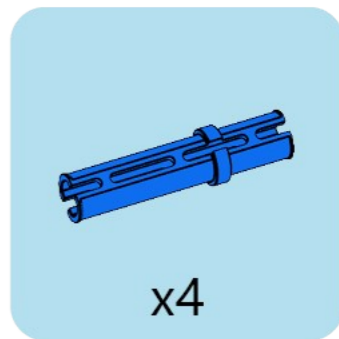


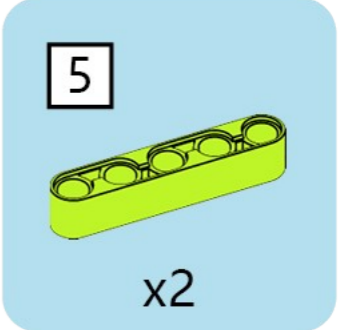
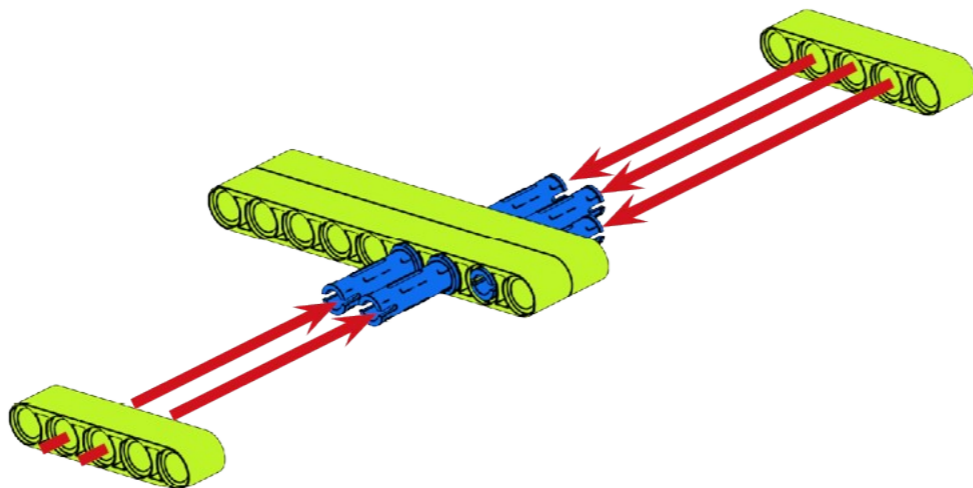
x2

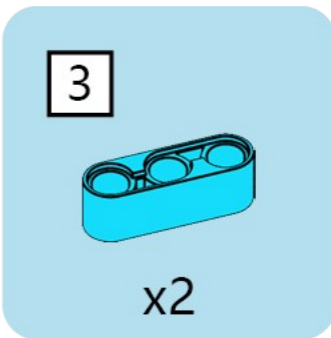
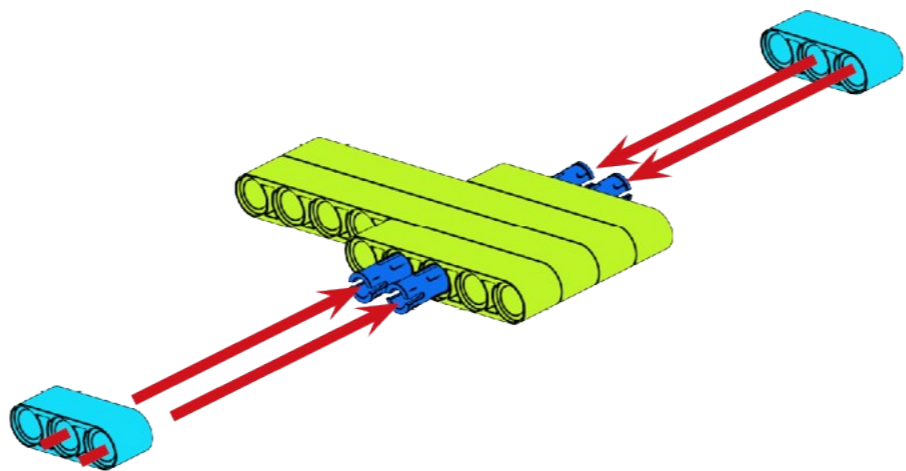


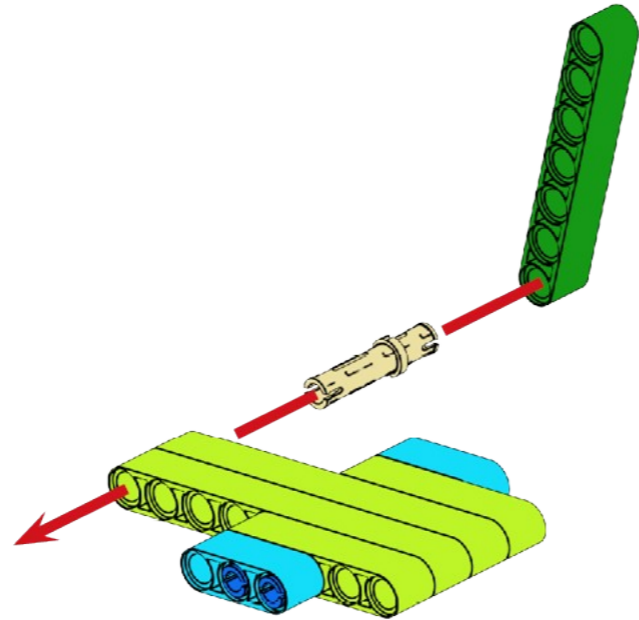
x1



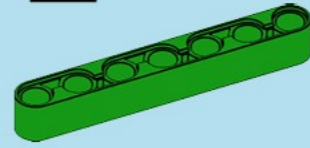




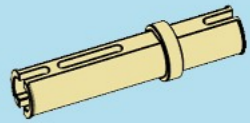




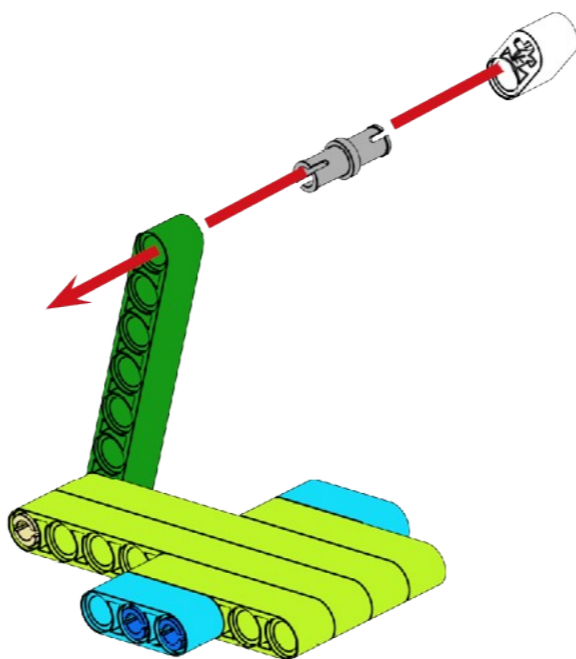
7



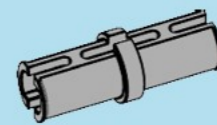
x1



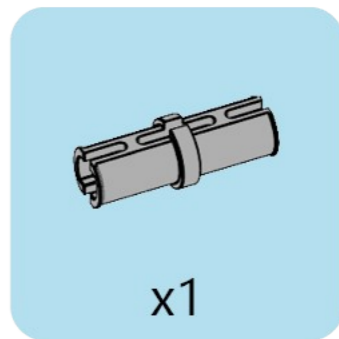
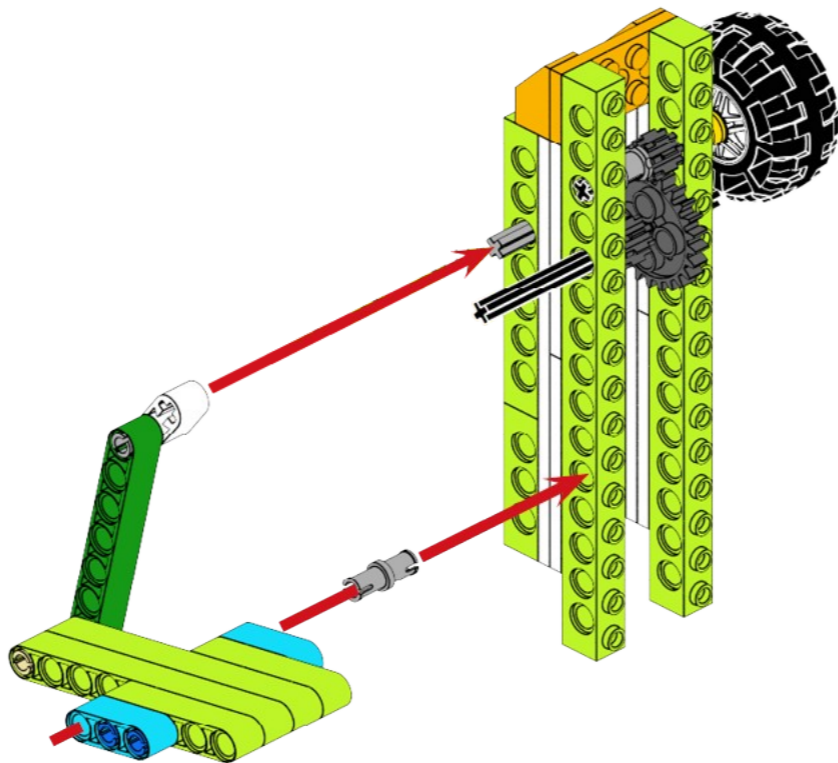
x1

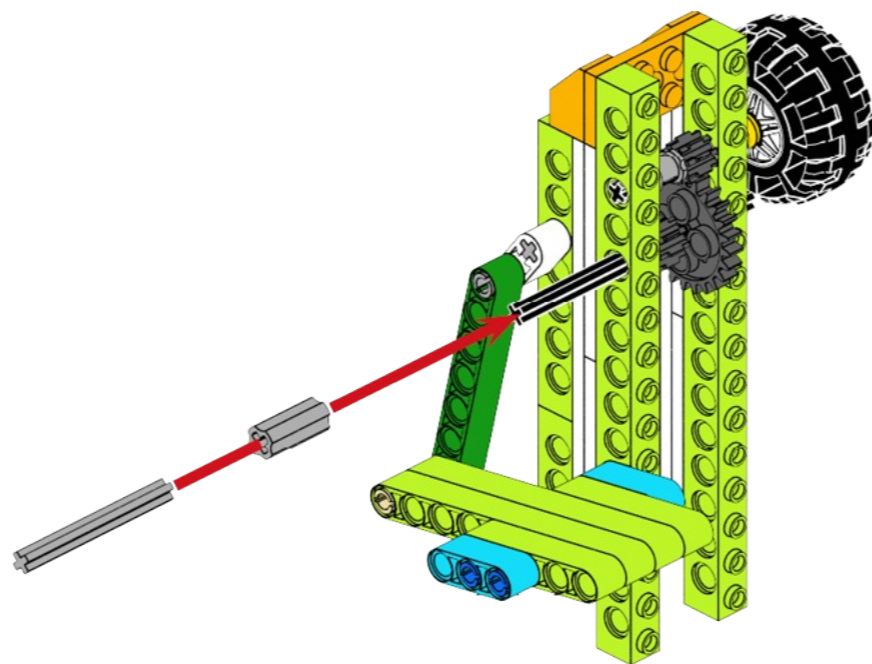


x1

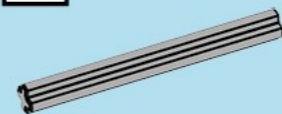


x1

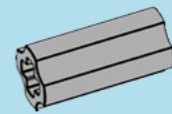




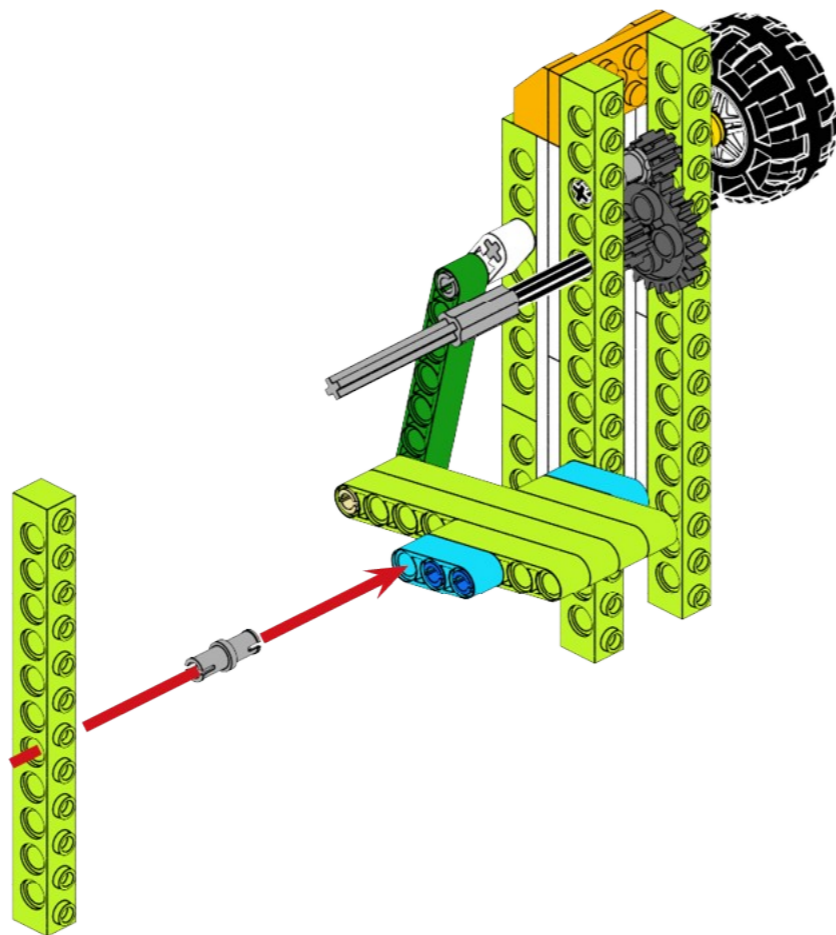
5



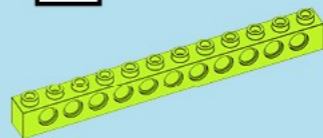
x1



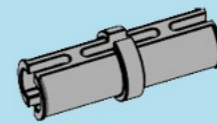
x1



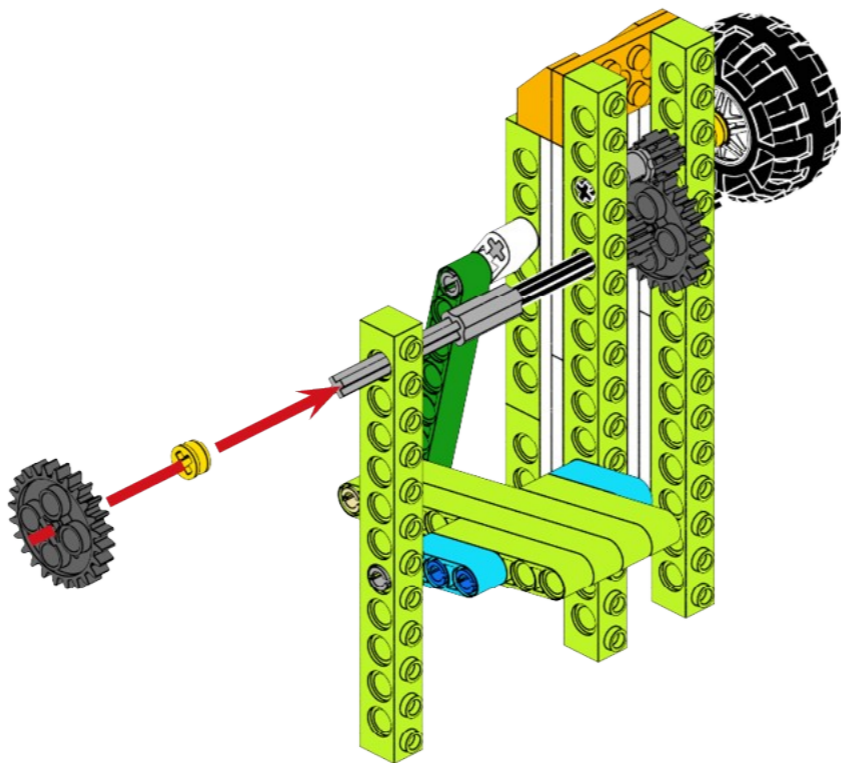
12



x1



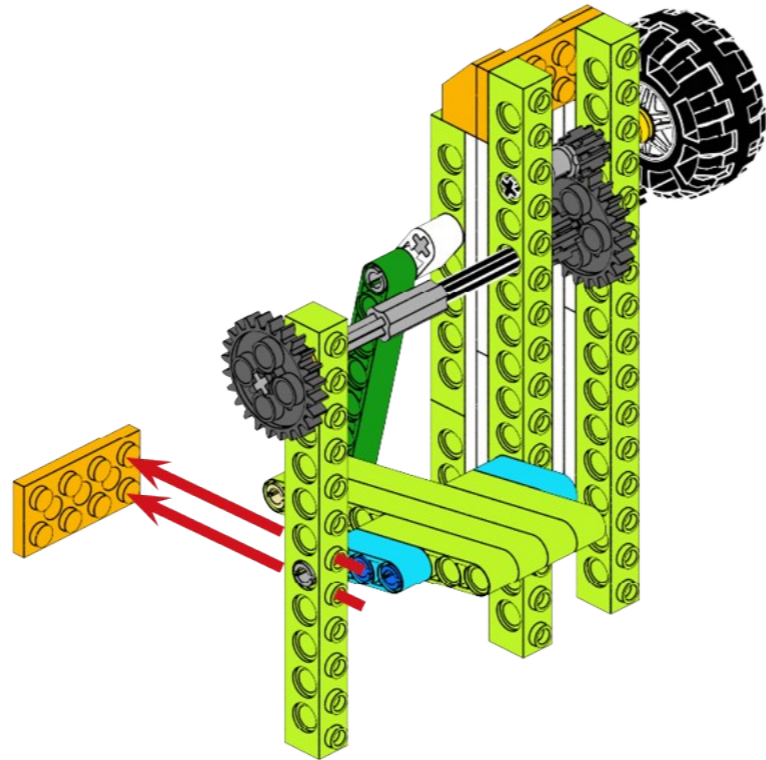
x1



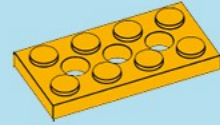
x1



x1



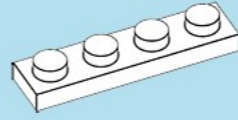
2x4



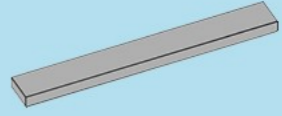
x1



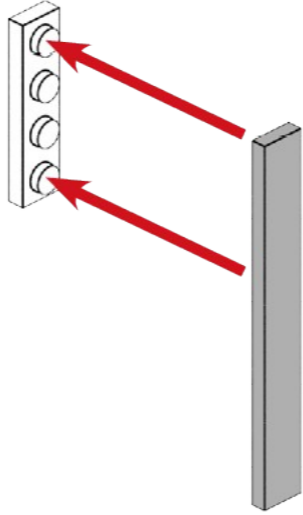
1x4

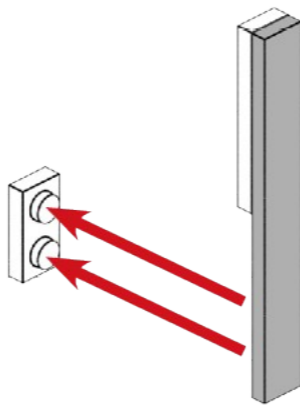
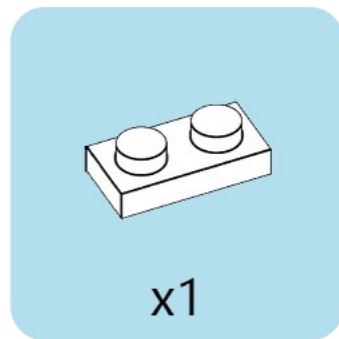


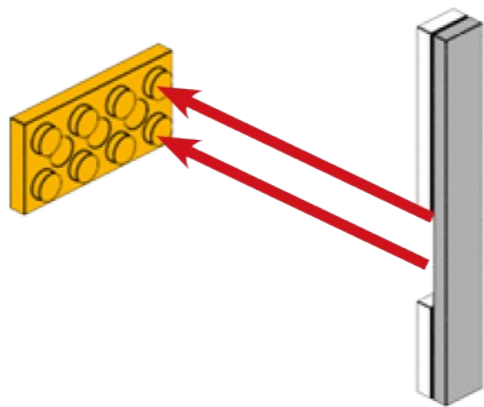
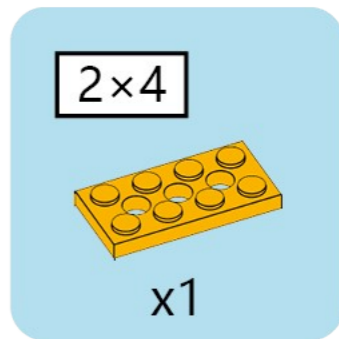
x1

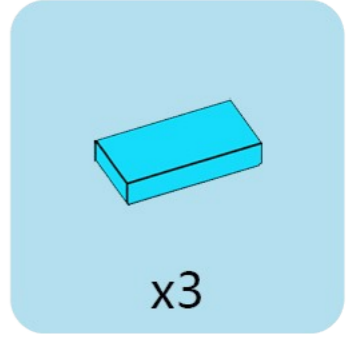
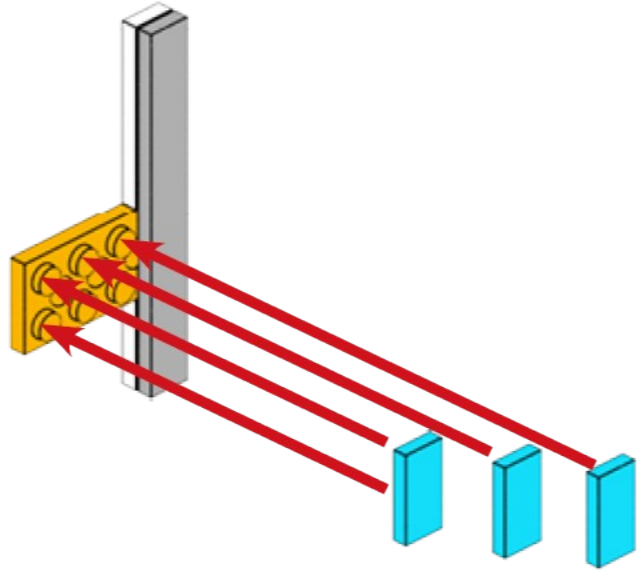


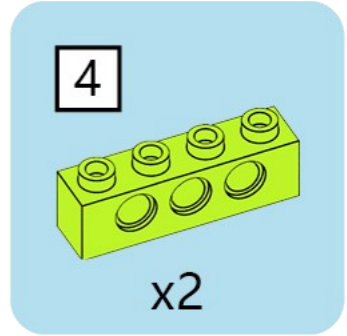
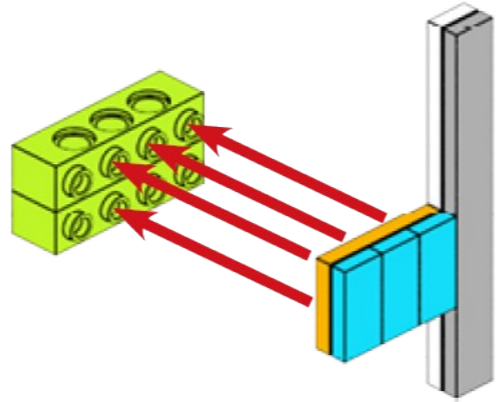
x1

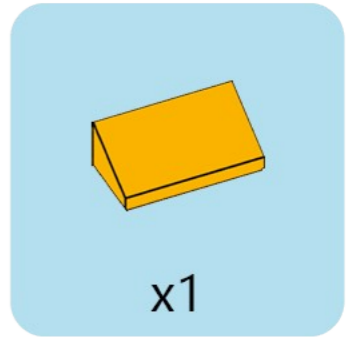
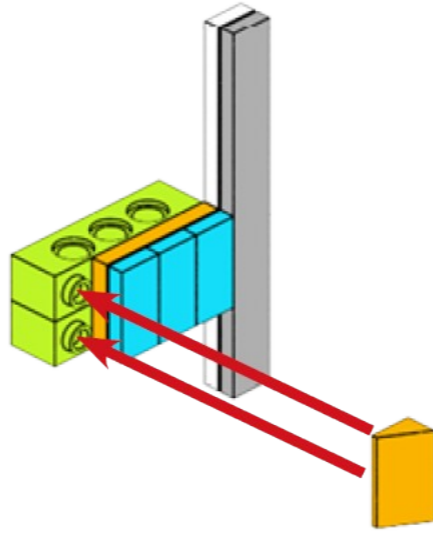


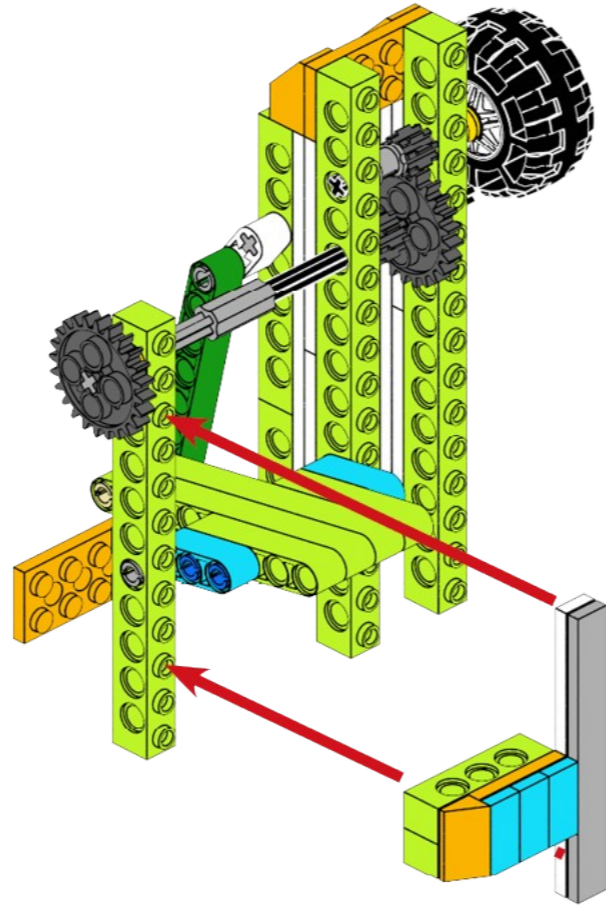


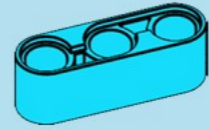
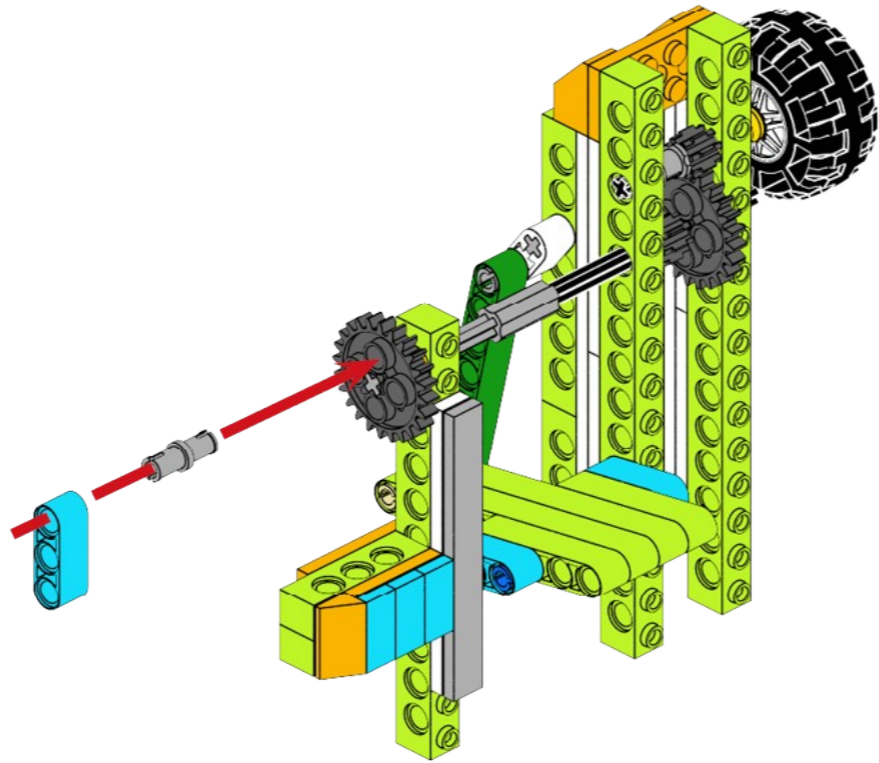




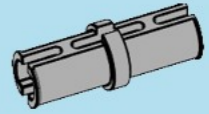




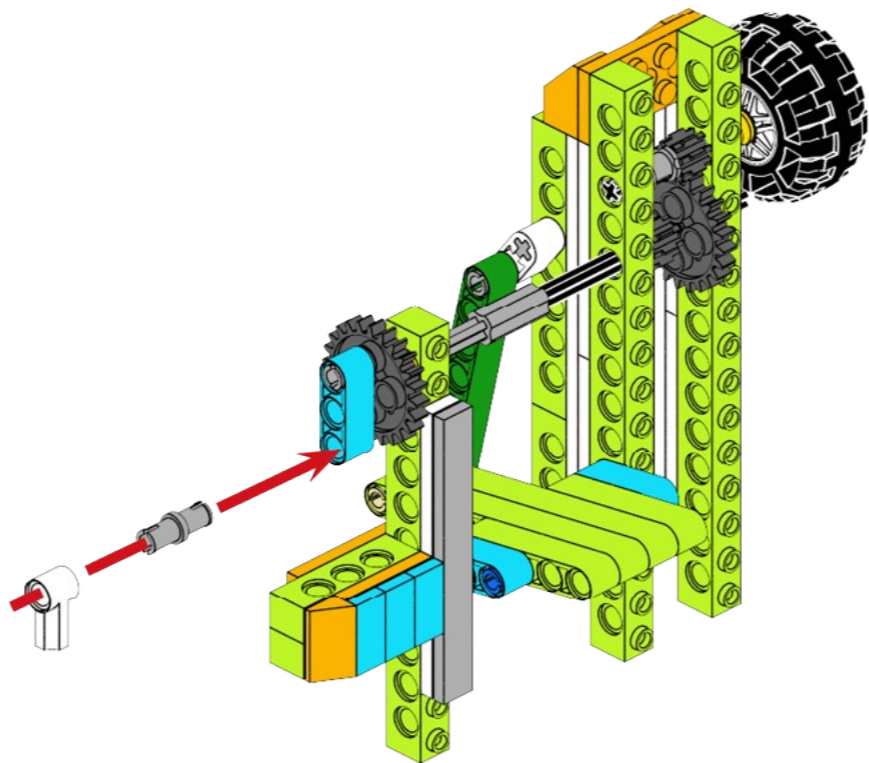




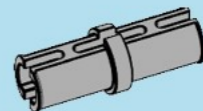
x1



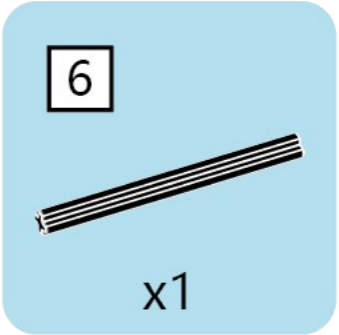
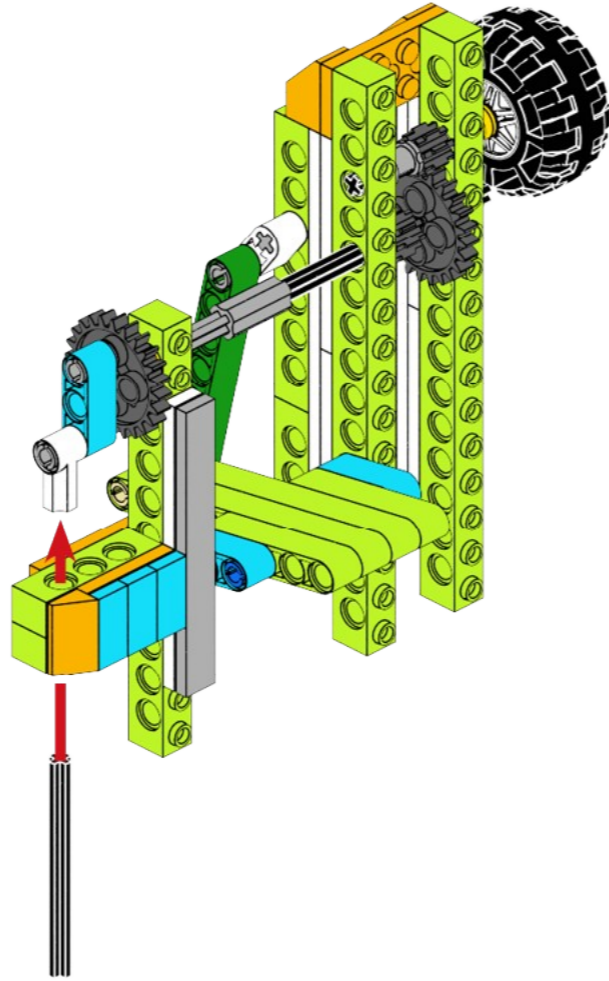
x1

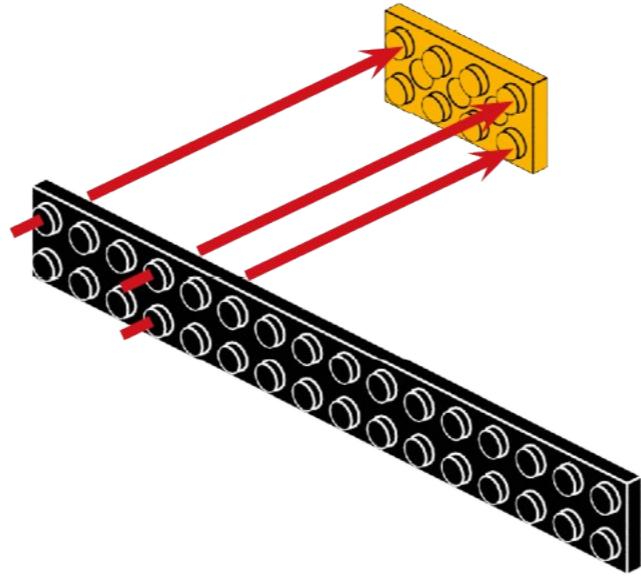


x1



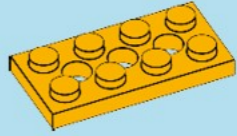
x1





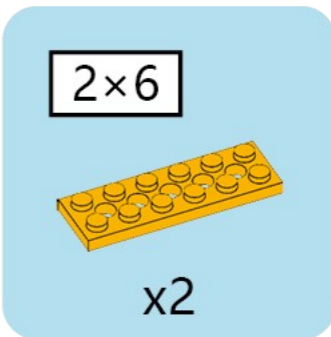
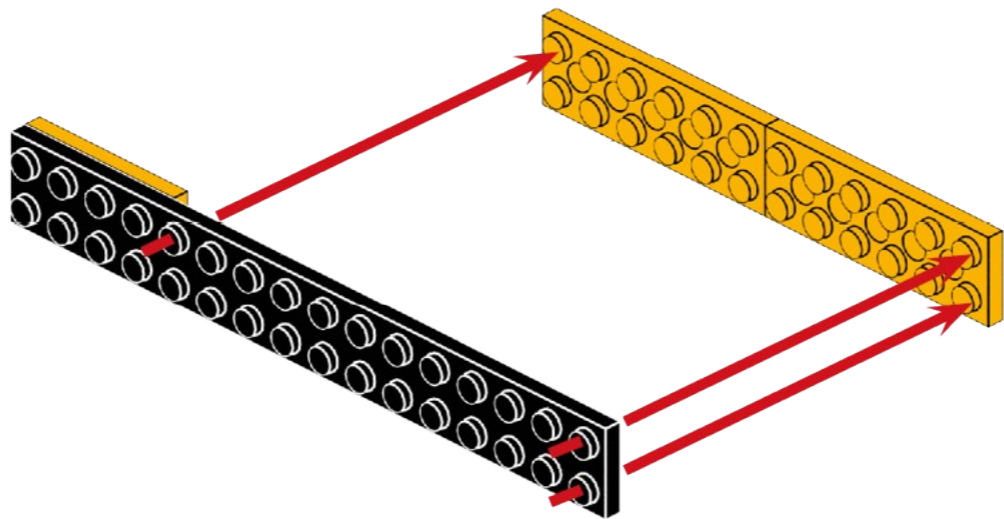
2x16

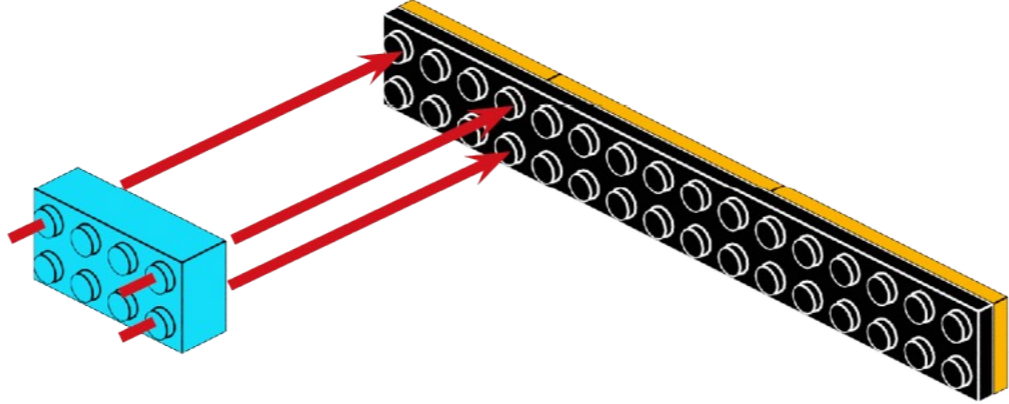
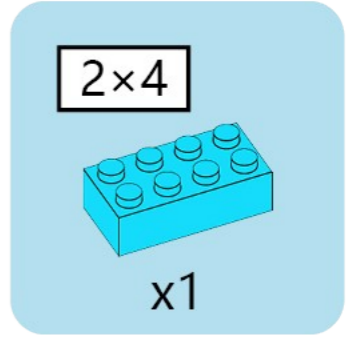
2x4

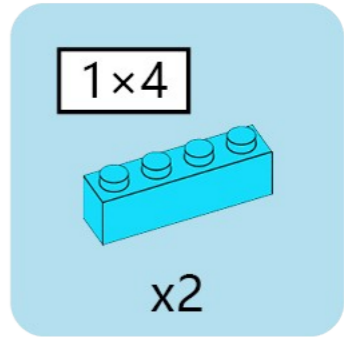
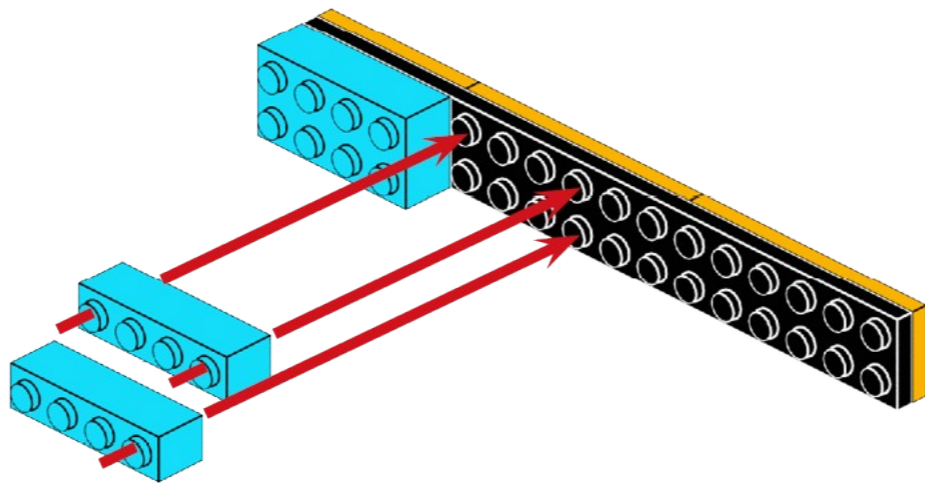


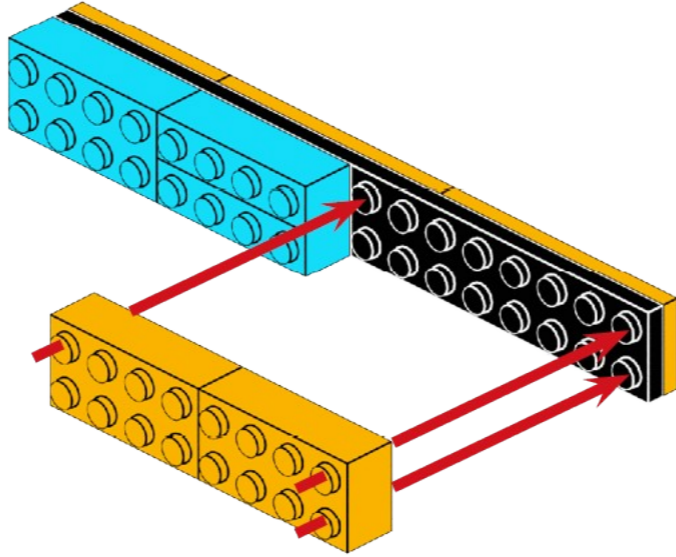
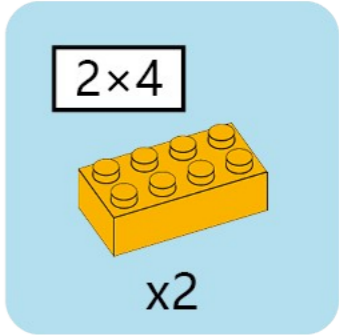
x1

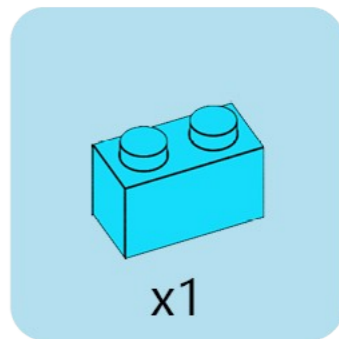
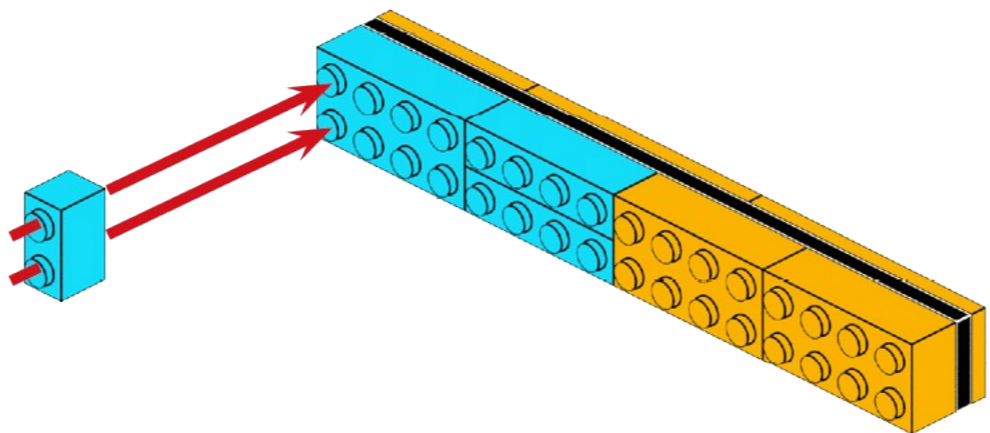
x1

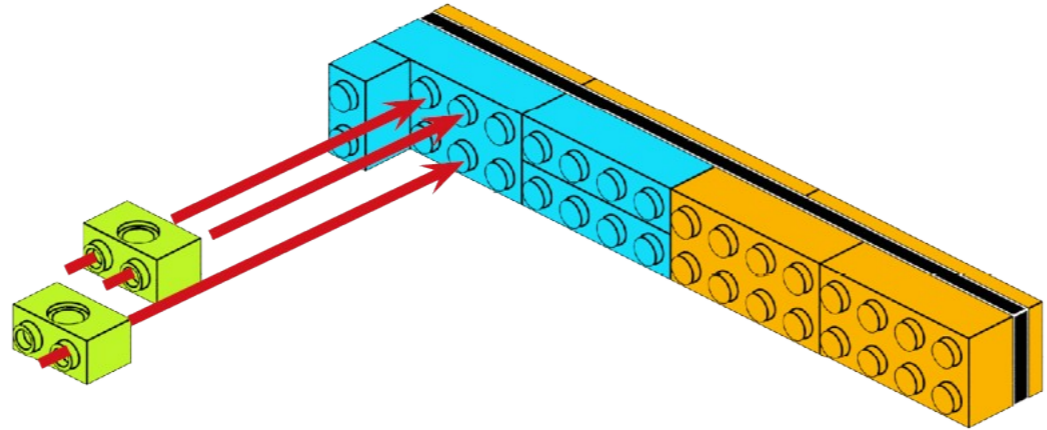
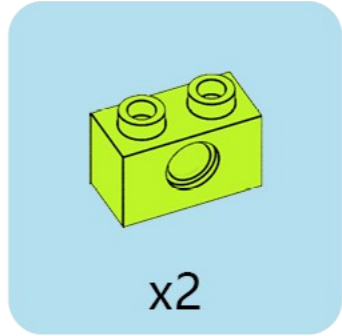


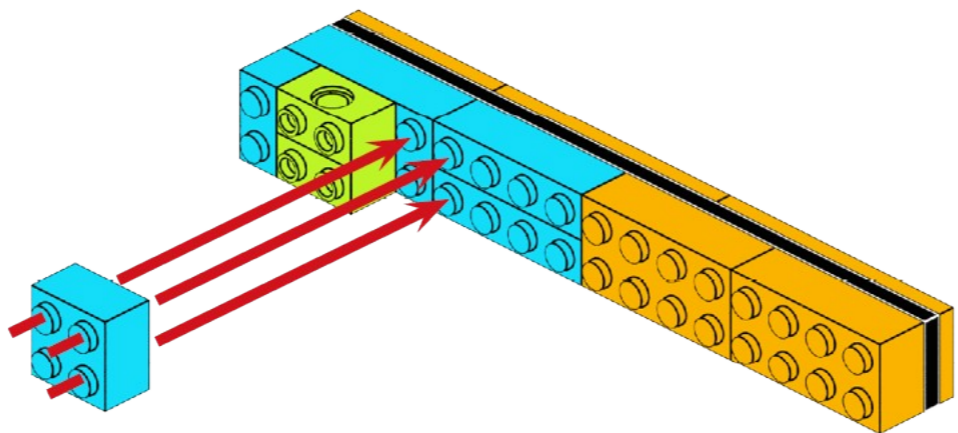
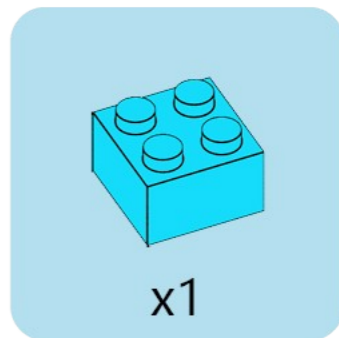


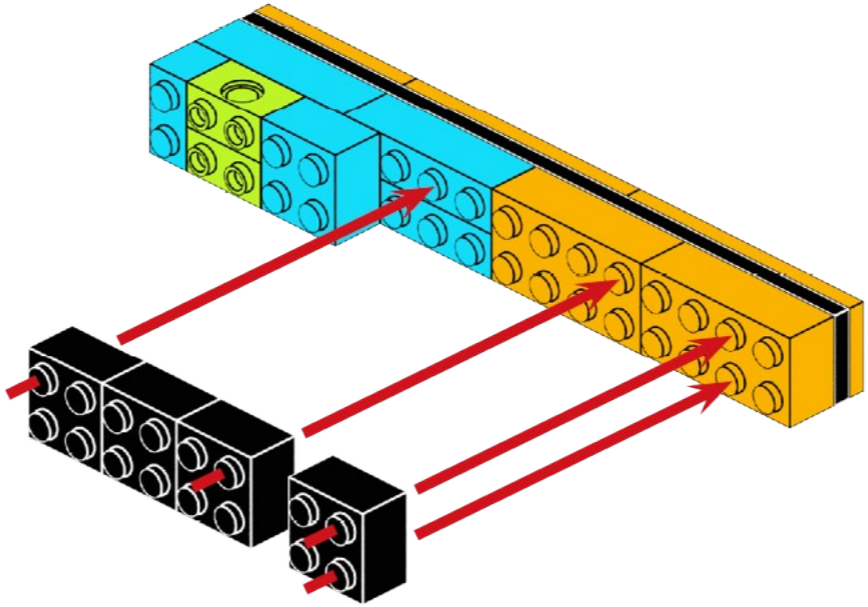
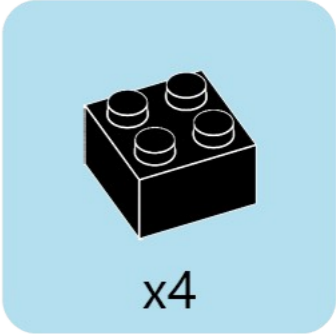


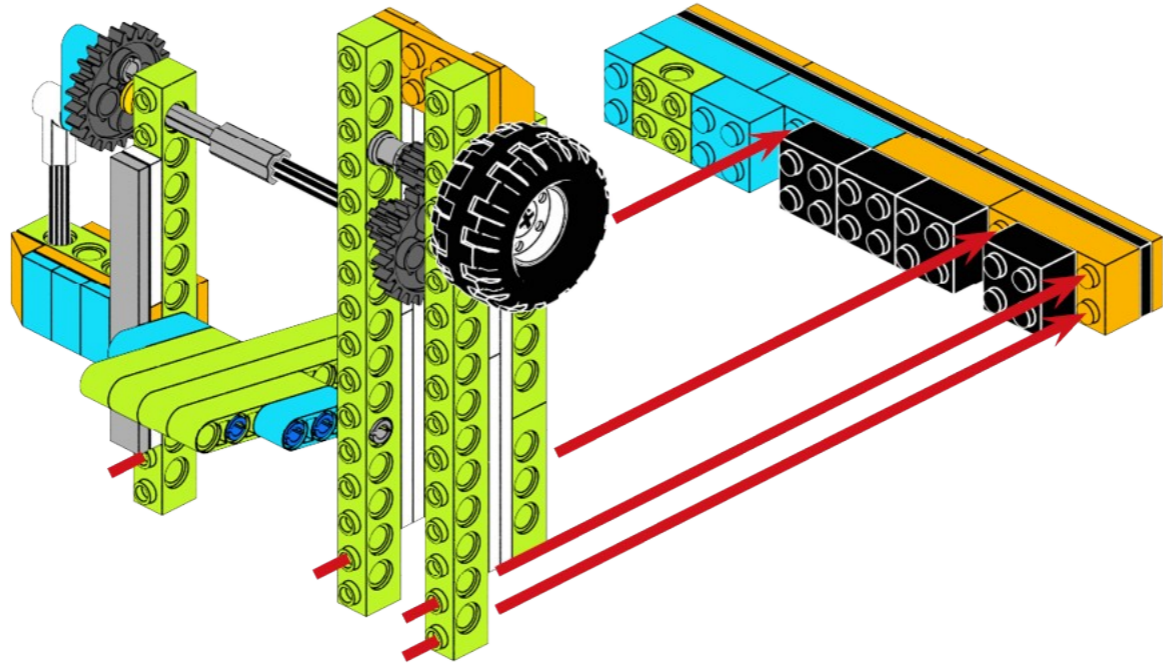






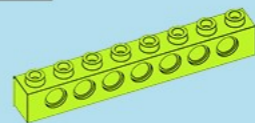




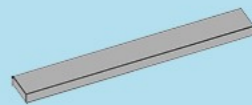




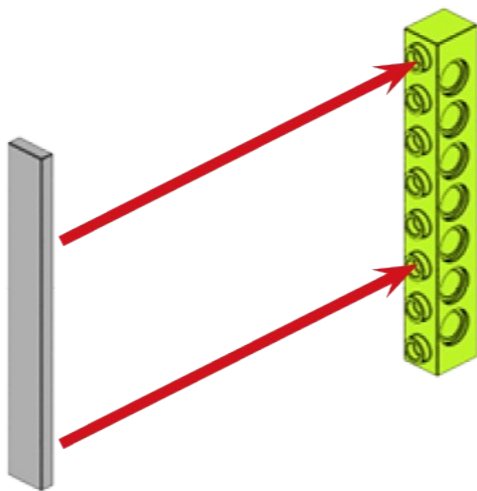
8

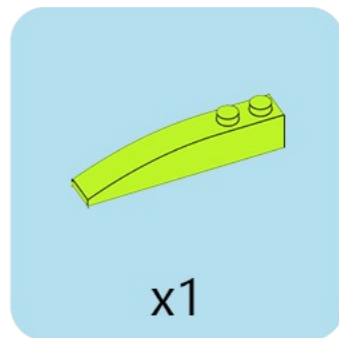
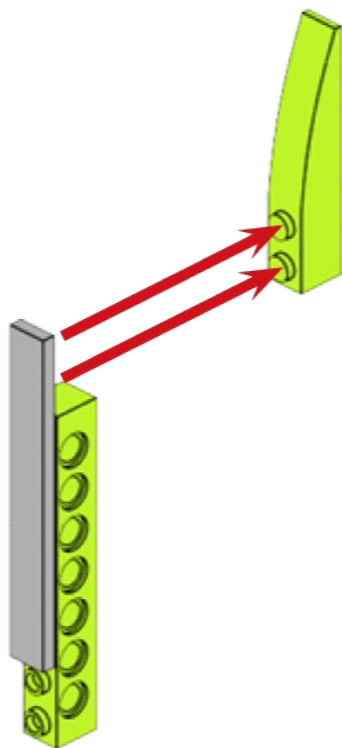


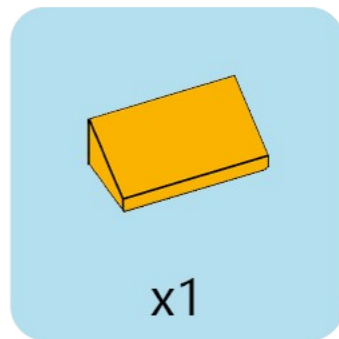
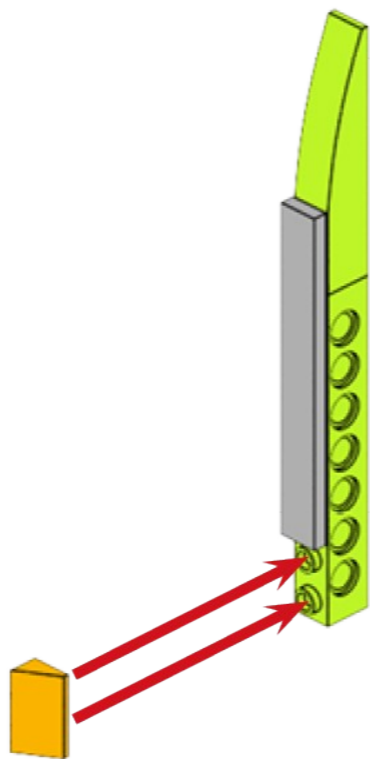
x1

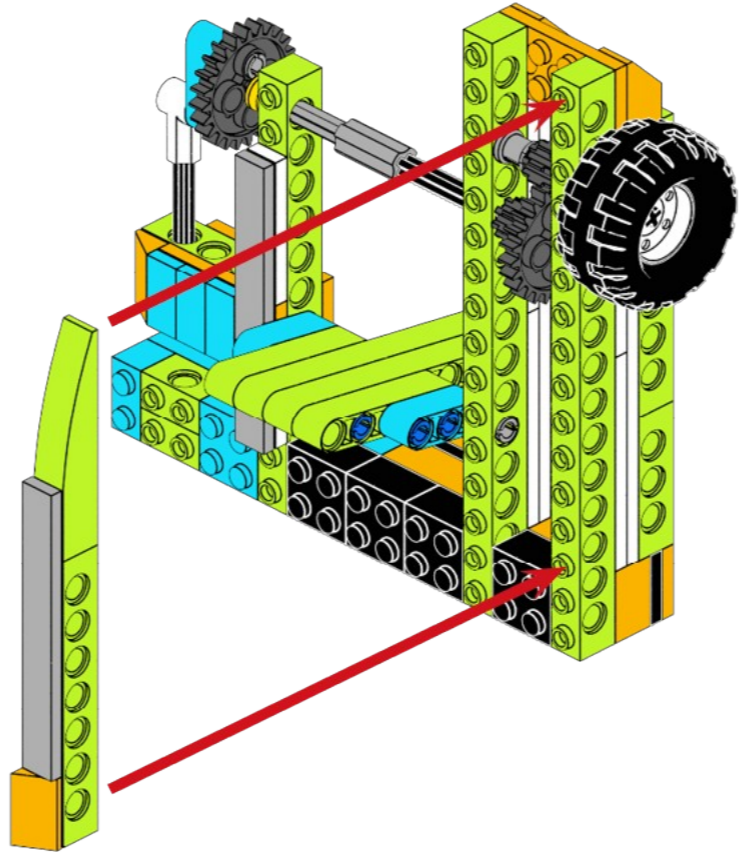


x1



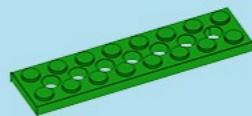








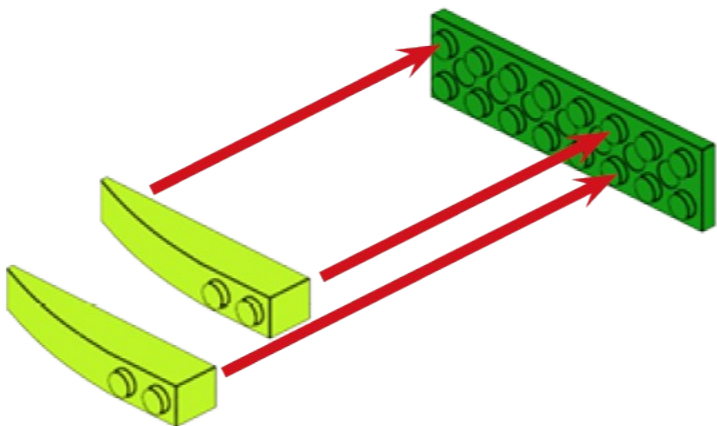
2x8

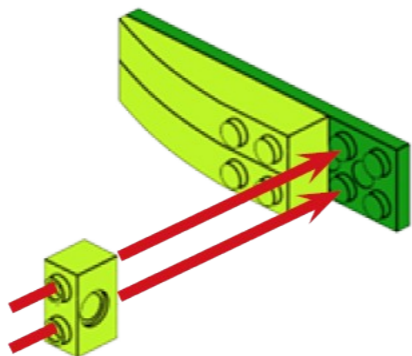
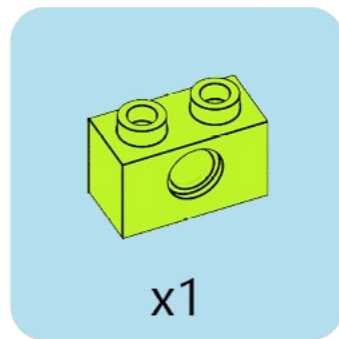


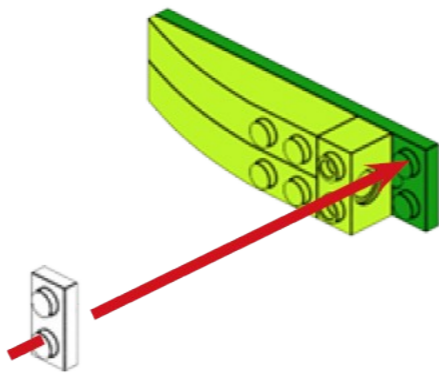
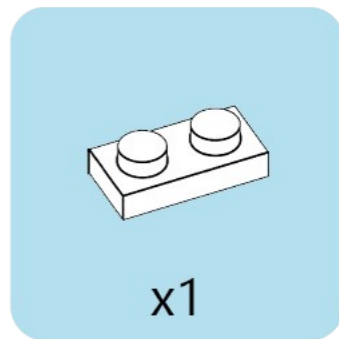
x1

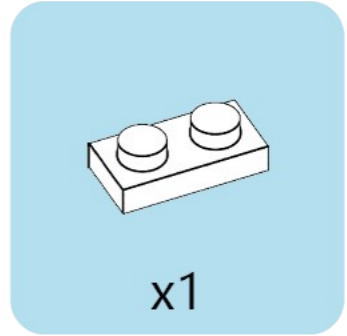
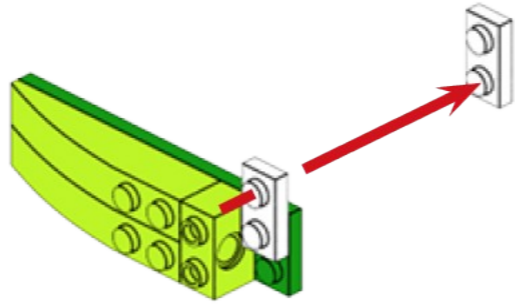


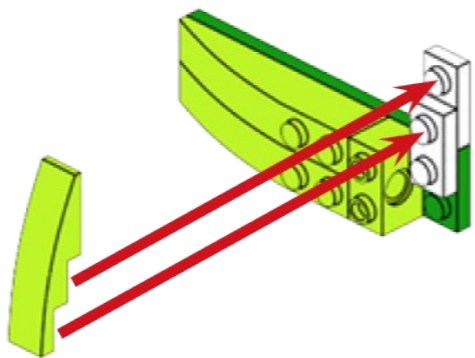
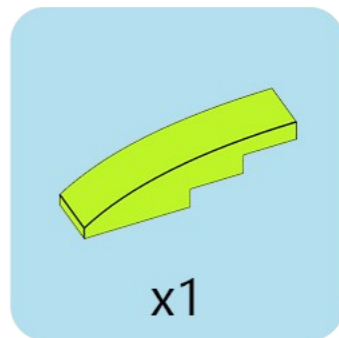
x2

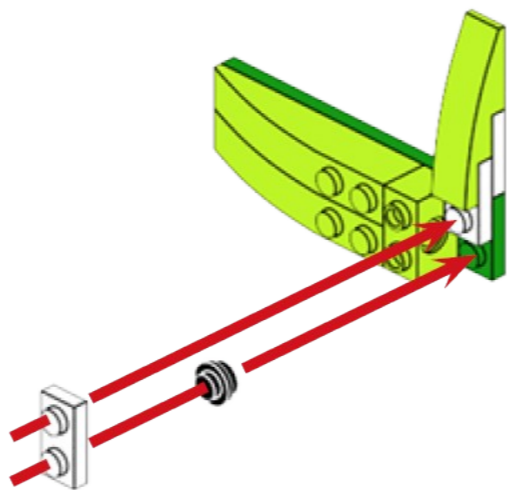




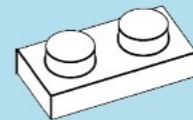




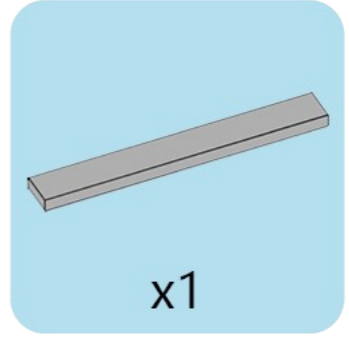
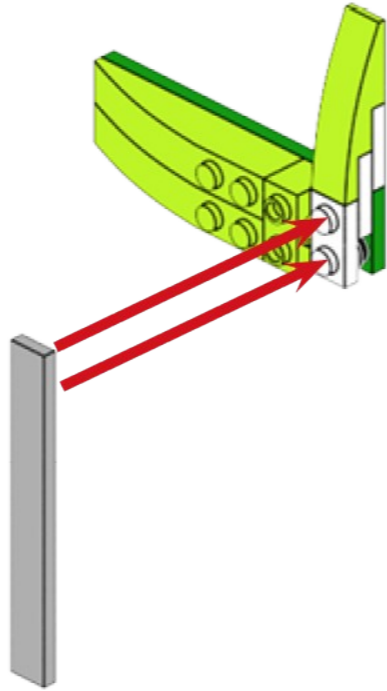


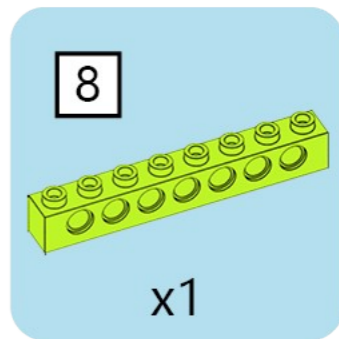
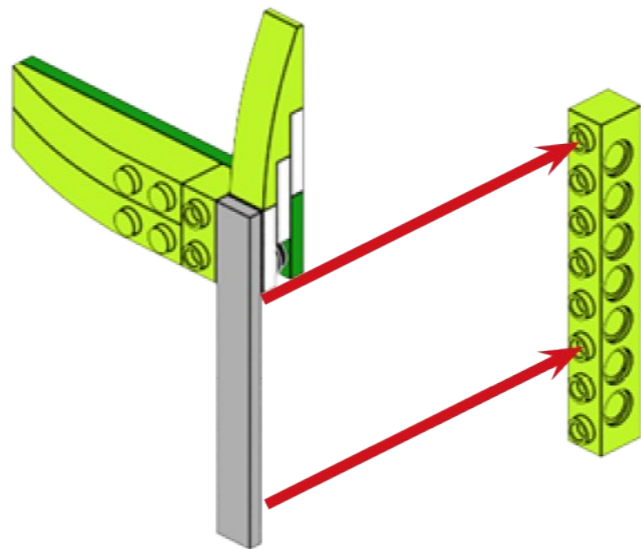


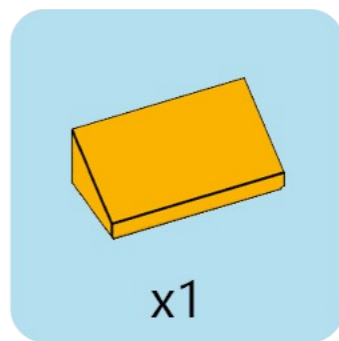
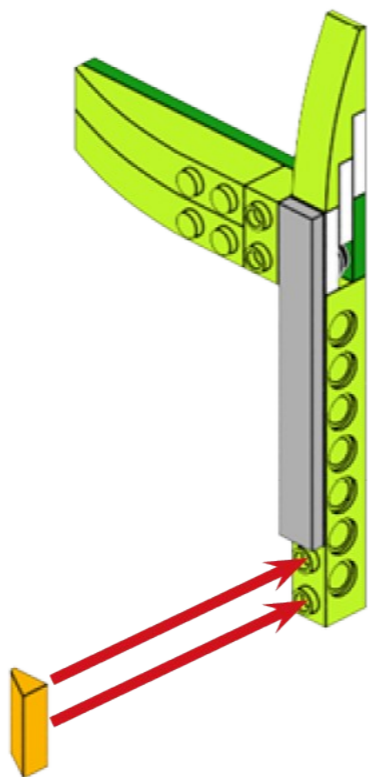
x1

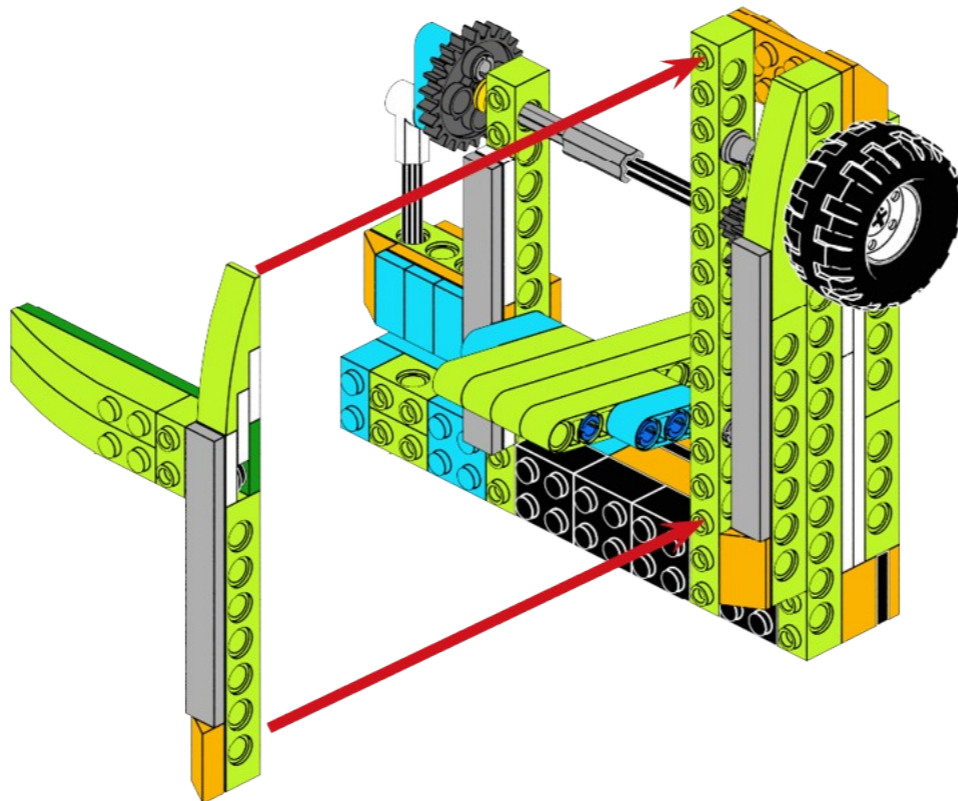


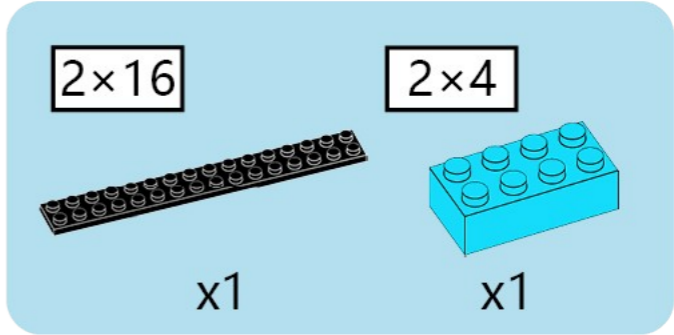
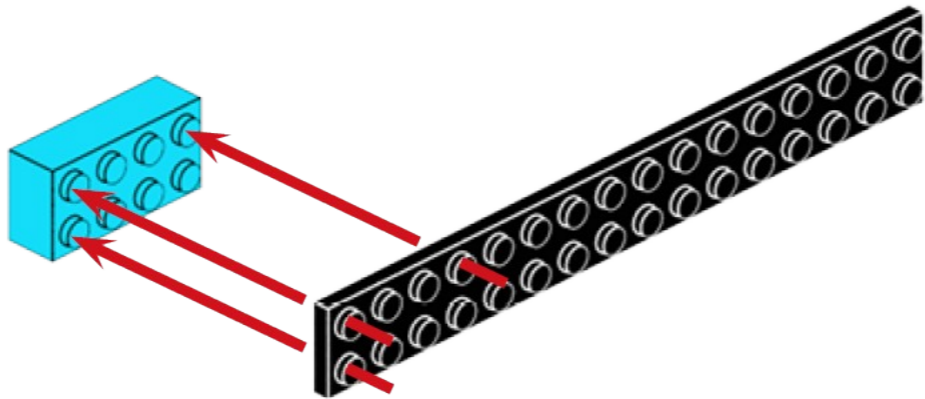
x1

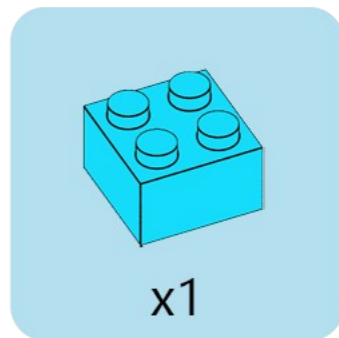
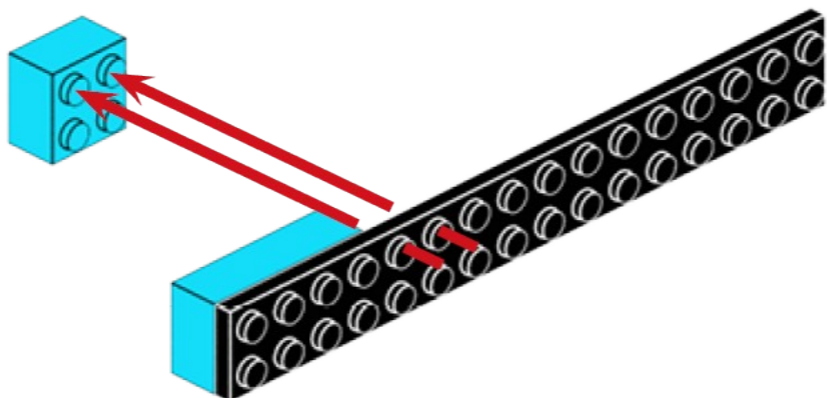


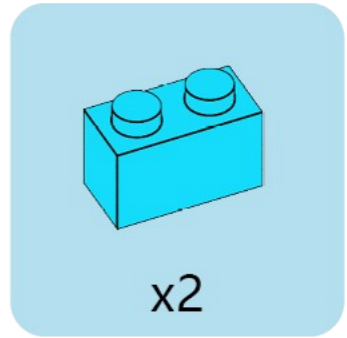
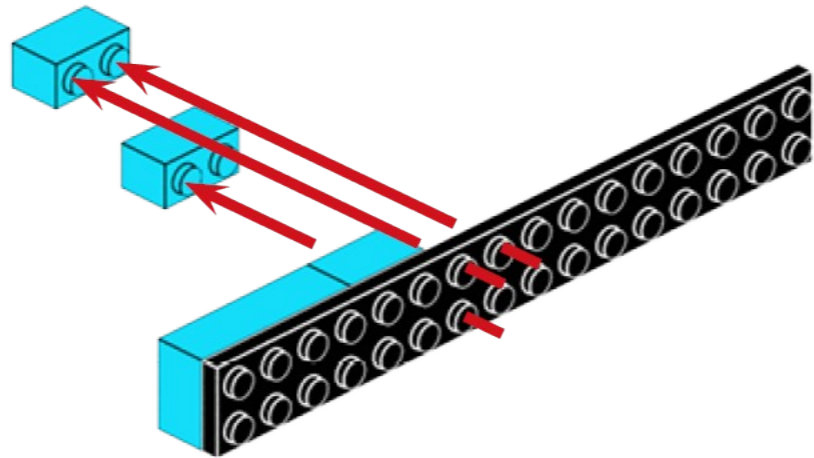


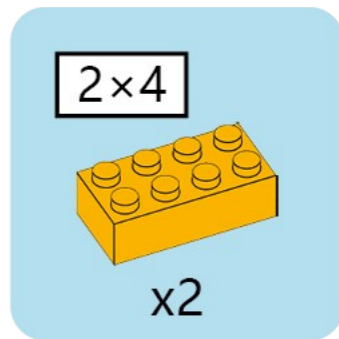
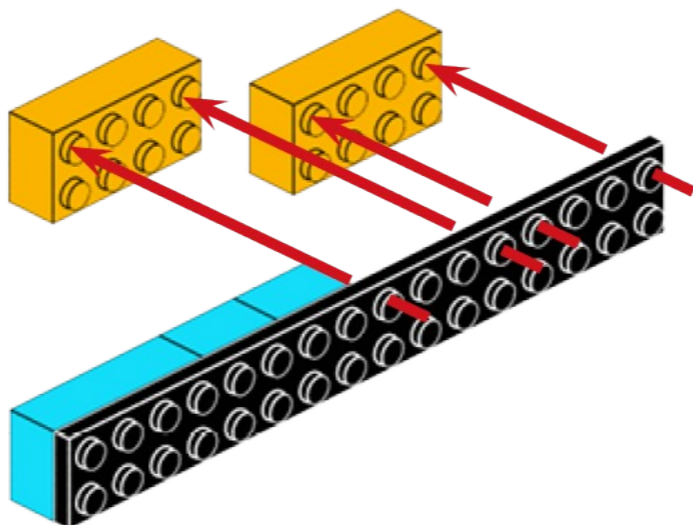


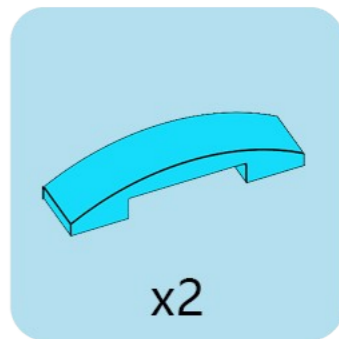
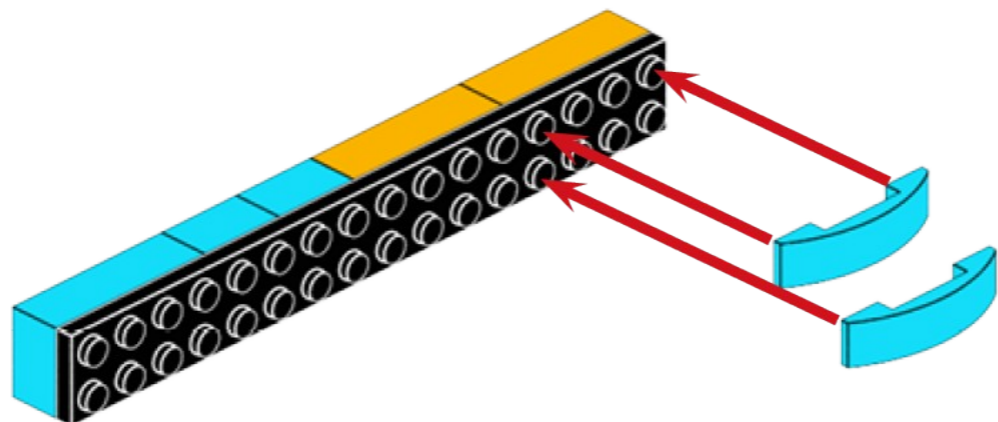


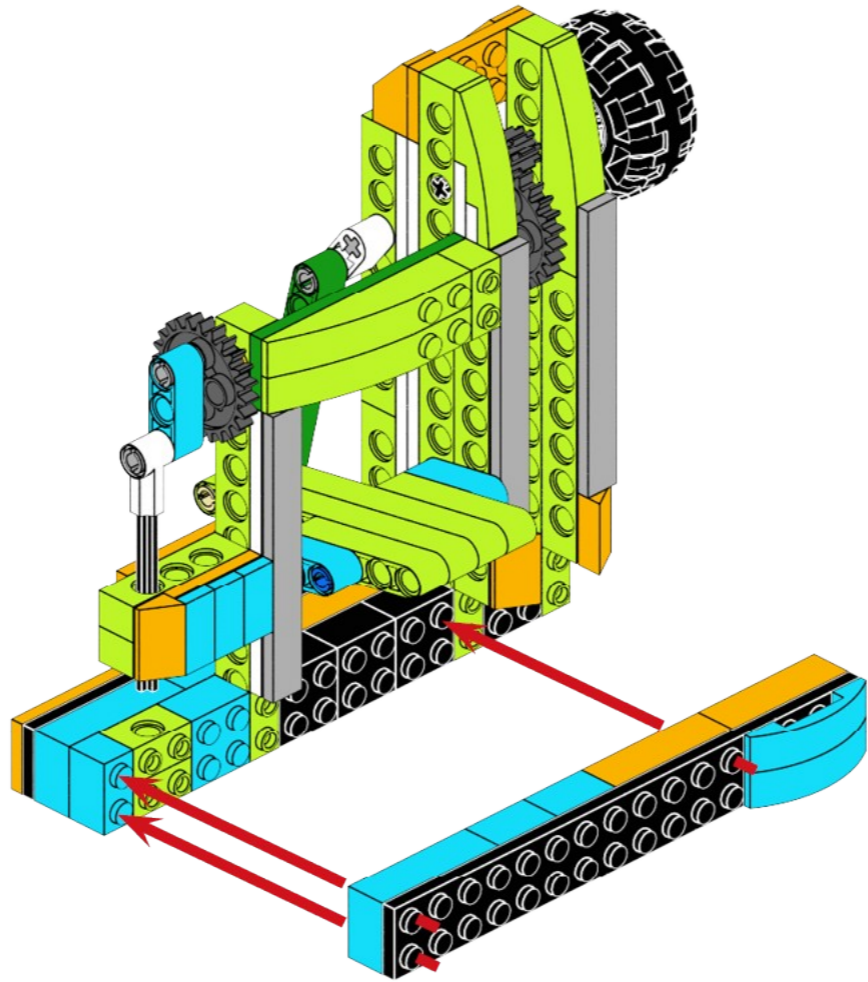


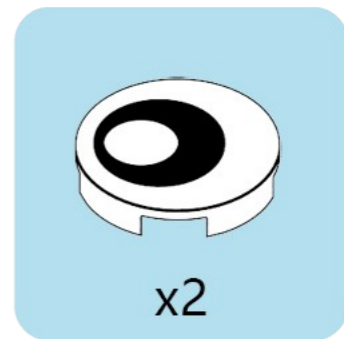
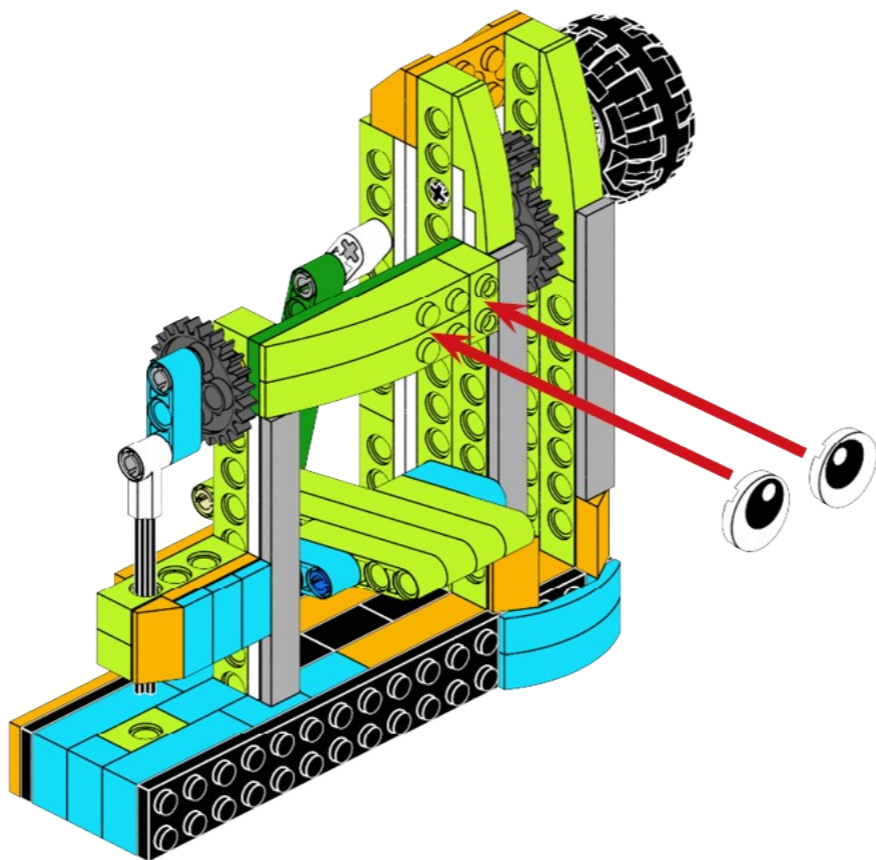


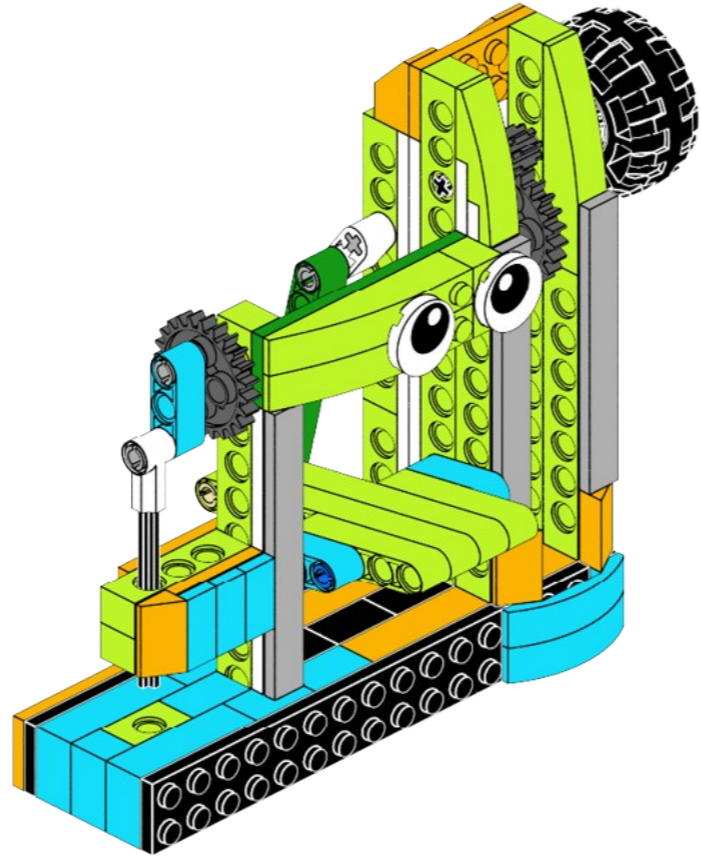


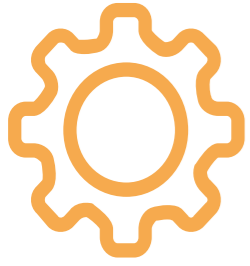




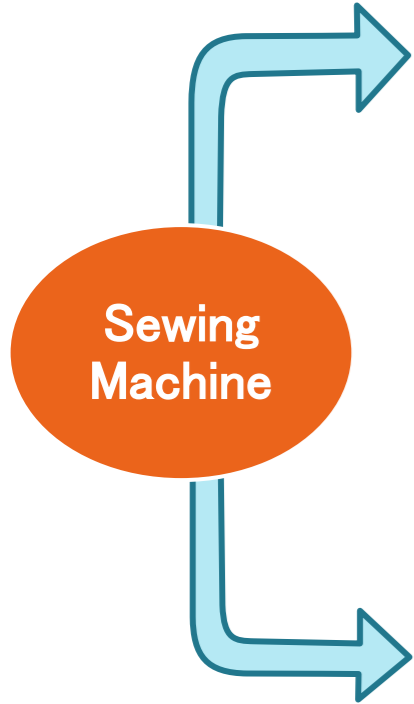








# Review



**Knowledge Development**



Uses of sewing machines



For mending clothes

Operation process of pedal sewing machine



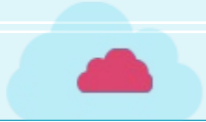
Step on the pedal at a constant speed to drive the pulley, and push the cloth forward. The needle will shuttle up and down. .

**Basic Transmission**



Reduction gear unit

Crank rocker



**Talk**





**THANKS**

